

# Multi Turn Angle Pattern 3/8" IPS x 3/8" O.D. Toilet Supply Kit with Oval Handle, 12" Supply Tube, Escutcheon



**Model #: 585-71-**



## FEATURES:

- Complete Toilet Supply Kit
- Kit contains:
  - (1) Multi Turn Angle Pattern 3/8" IPS x 3/8" O.D. Supply Valve with Oval Handle P/N 585
  - (1) 12" Copper Supply Tube P/N 661
  - (1) Escutcheon P/N 740
  - (1) 3/8" Brass Nipple P/N 801-38.4

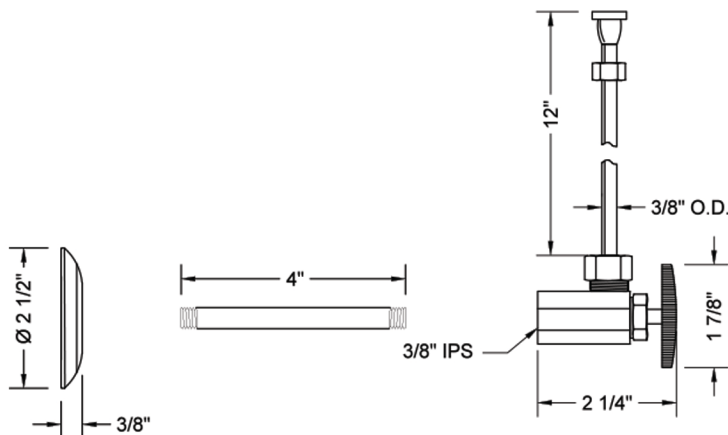
## AVAILABLE FINISHES:

- |                       |                     |                         |
|-----------------------|---------------------|-------------------------|
| Polished Chrome (PCH) | Satin Chrome (SC)   | Satin Nickel (SN)       |
| Polished Nickel (PN)  | Antique Brass (AB)  | Oil-Rubbed Bronze (ORB) |
| Polished Brass (PB)   | Vintage Bronze (VB) |                         |

## SPECIFICATION DRAWING:

COMPONENTS	
DESCRIPTION	QTY:
ANGLE VALVE - OVAL HANDLE	1
12" X 3/8" O.D. SUPPLY TUBE	1
ESCUTCHEON	1
4" NIPPLE	1
PLASTIC FILL VALVE COUPLING NUT	1

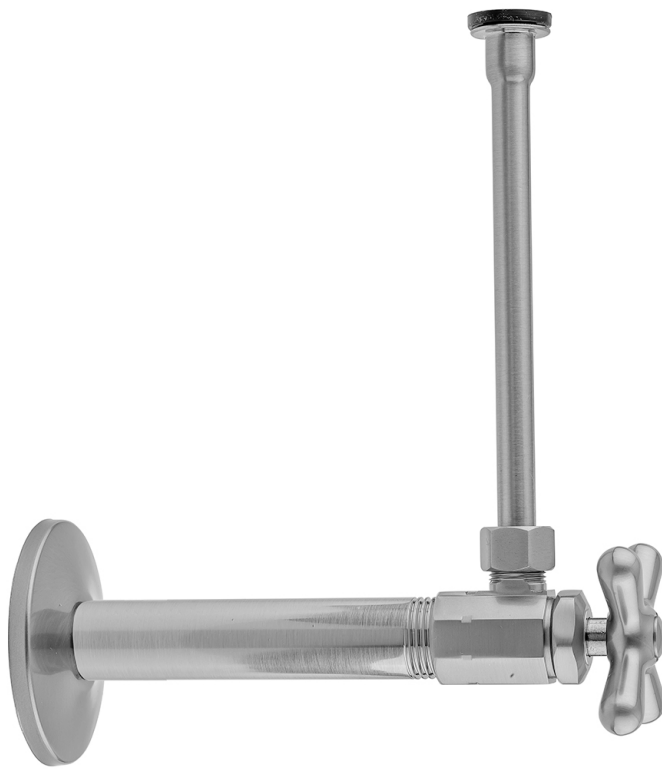
## AVAILABLE HANDLES:



# Multi Turn Angle Pattern 3/8" IPS x 3/8" O.D. Toilet Supply Kit with Cross Handle, 12" Supply Tube, Escutcheon



**Model #: 585X-71-**



### FEATURES:

- Complete Toilet Supply Kit
- Kit contains:
  - (1) Multi Turn Angle Pattern 3/8" IPS x 3/8" O.D. Supply Valve with Cross Handle P/N 585X
  - (1) 12" Copper Supply Tube P/N 661
  - (1) Escutcheon P/N 740
  - (1) 3/8" Brass Nipple P/N 801-38.4

### AVAILABLE FINISHES:

- |                       |                     |                         |
|-----------------------|---------------------|-------------------------|
| Polished Chrome (PCH) | Satin Chrome (SC)   | Satin Nickel (SN)       |
| Polished Nickel (PN)  | Antique Brass (AB)  | Oil-Rubbed Bronze (ORB) |
| Polished Brass (PB)   | Vintage Bronze (VB) |                         |

### SPECIFICATION DRAWING:

COMPONENTS	
DESCRIPTION	QTY:
ANGLE VALVE - STANDARD CROSS HANDLE	1
12" X 3/8" O.D. SUPPLY TUBE	1
ESCUTCHEON	1
4" NIPPLE	1
PLASTIC FILL VALVE COUPLING NUT	1

### AVAILABLE HANDLES:

