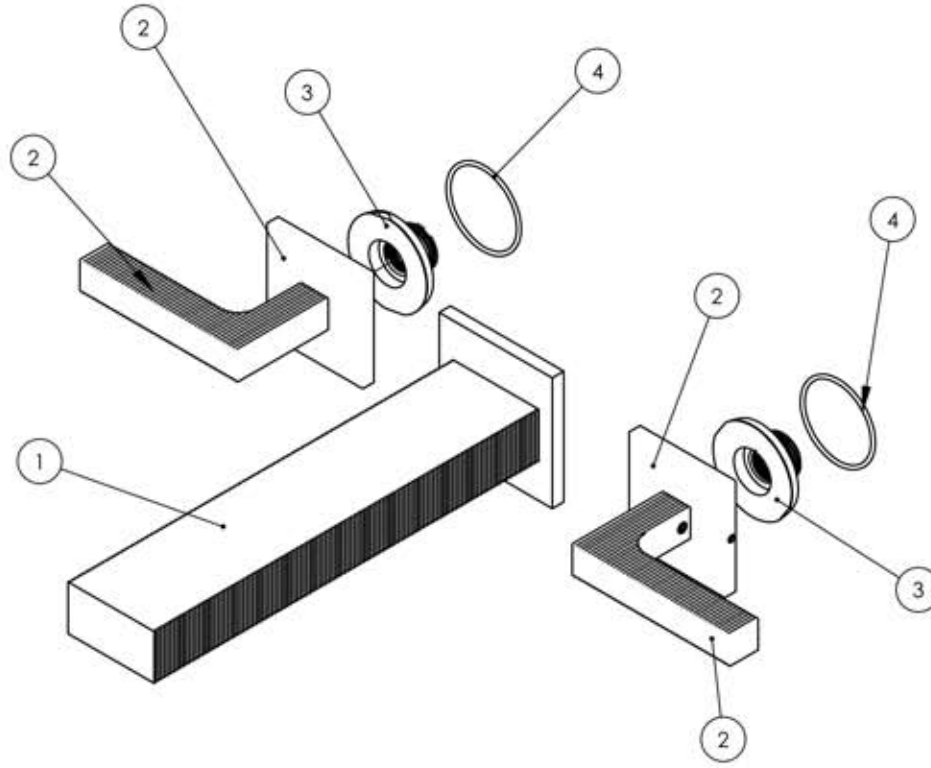


A
B
C
D
E



ITEM NO.	PART NUMBER	DESCRIPTION	QTY.
1	3-126/00	WALL LAV 291 EDGE SERIES	1
	2-096/00	SUB-ASSY, WALL LAV 291 EDGE SERIES	1
	11010/00	SPOUT, WALL MOUNT	1
	11002/00	NIPPLE, 1/2" BRAZE BUNG	1
	10939/00	ESCUTCHEON, WIDESPREAD	1
	10999	AERATOR, CACHE 1.75GPM 40.6261.010 NEOPERL. BLUE/DARK GRAY	1
	92158	DOWEL PIN, 1/8" X 3/8"L	2
	90131	O-RING, 1-11/16ID X 3/32THK, AS-568-131	1
2	3-109/00	ASSY, HANDLE RIBBED LEVER	2
	10937/00	ESCUTCHEON, HANDLE EDGE SERIES	1
	10298/00	HANDLE, LEVER EDGE SERIES	1
	92005	SET SCREW, CUP PT 6-32UNC THREAD 3/16"L	1
	92176	WEAR WASHER	1
	92008	SET SCREW, CUP POINT 8-32	1
3	11003	SLEEVE MOUNT, WALL MT WIDESPREAD	2
4	90029	O-RING, 1-5/8"ID X 1-3/4"OD X 1/16"THK, AS-568-029	2

-		-		INTERPRET GEOMETRIC DIMENSIONING & TOLERANCING IN ACCORDANCE WITH ASME Y14.5-2009 & ASME Y14.41-2003 STANDARDS. UNLESS OTHERWISE SPECIFIED, DIMENSIONS ARE IN INCHES. TOLERANCES ARE:		WALL MOUNT LAVATORY TRIM SET, LEVER HANDLE, STRIA SERIES						
NEXT ASSY		USED ON		FRACTIONS ±1/64"	DECIMALS X.X: ±.1 X.XX: ±.01 X.XXX: ±.005				ANGULAR ±.5°	SIZE A	ASM/PRT NO. 291-12/00	REV
APPLICATION				MATERIAL		NAME		DATE		SCALE: 1:8	WEIGHT: lbs.	SHEET 1 OF 2
FINISH				DRAWN		CHECKED		6/3/2013				
DO NOT SCALE DRAWING												

1261 LOGAN AVENUE
COSTA MESA, CALIFORNIA 92626
PHONE: 714.361.4800
FAX: 714.617.3120

PHYLORICH®
Defining Luxury Since 1959

PROPRIETARY AND CONFIDENTIAL
THE INFORMATION CONTAINED IN THIS DRAWING IS THE SOLE PROPERTY OF RISS MANUFACTURING. ANY REPRODUCTION IN PART OR AS A WHOLE WITHOUT THE WRITTEN PERMISSION OF RISS MANUFACTURING IS PROHIBITED.

5

4

3

2

1