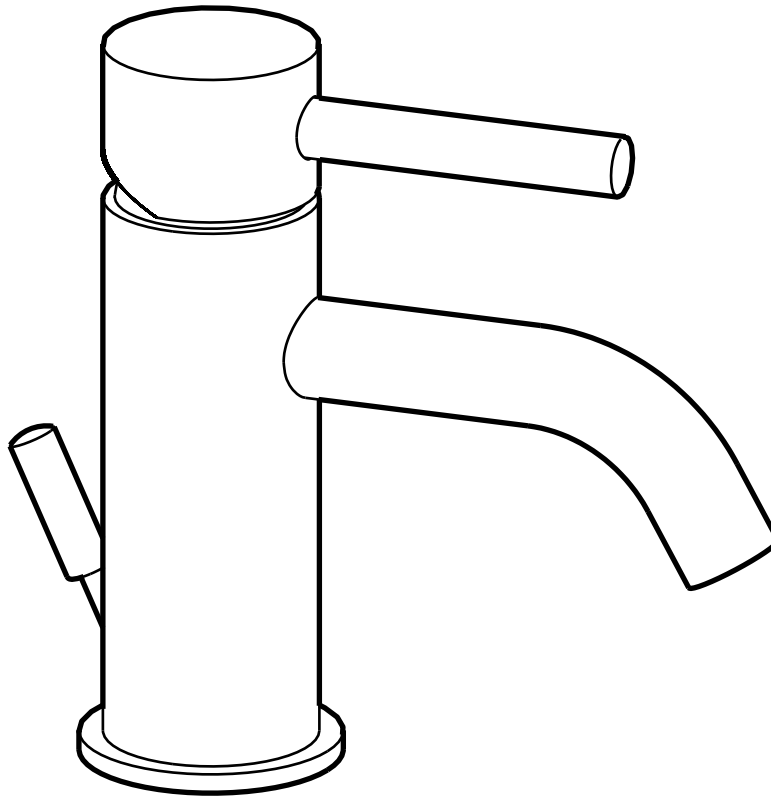


INSTALLATION INSTRUCTIONS FOR SINGLE HOLE LAV FAUCET



WE RECOMMEND THAT ALL PLUMBING PRODUCTS BE INSTALLED BY A LICENSED PROFESSIONAL

IMPORTANT: Thoroughly read instructions before installation.

SPECIFICATIONS & TECHNICAL FEATURES

Recommended supply pressure = 20 to 80 psi (1,38-5,52 bar)

Recommended hot water supply temperature = 120° to 158°F (48°-70°C)

Operating pressures between hot and cold supplies should vary no more than 30 psi (2,07 bar).

If water pressure exceeds 70 psi (4,83 bar), install a pressure reducing valve.

25mm diameter size open type cartridge

Opening angle of the lever = 25°

Mixing rotation of the lever = 100°

Aerator flow rate = 1.5 gpm (5.7 L/min.)

Ensure the mixing valve is in compliance with local plumbing codes when setting the temperature on the water heater.

It is the installer's responsibility to verify correct temperature setting to prevent any risk of scalding prior to consumer use.

STEPS FOR FAUCET INSTALLATION

Position lavatory faucet as shown. The handle and spout face forward and the factory installed mounting stud is in the front.

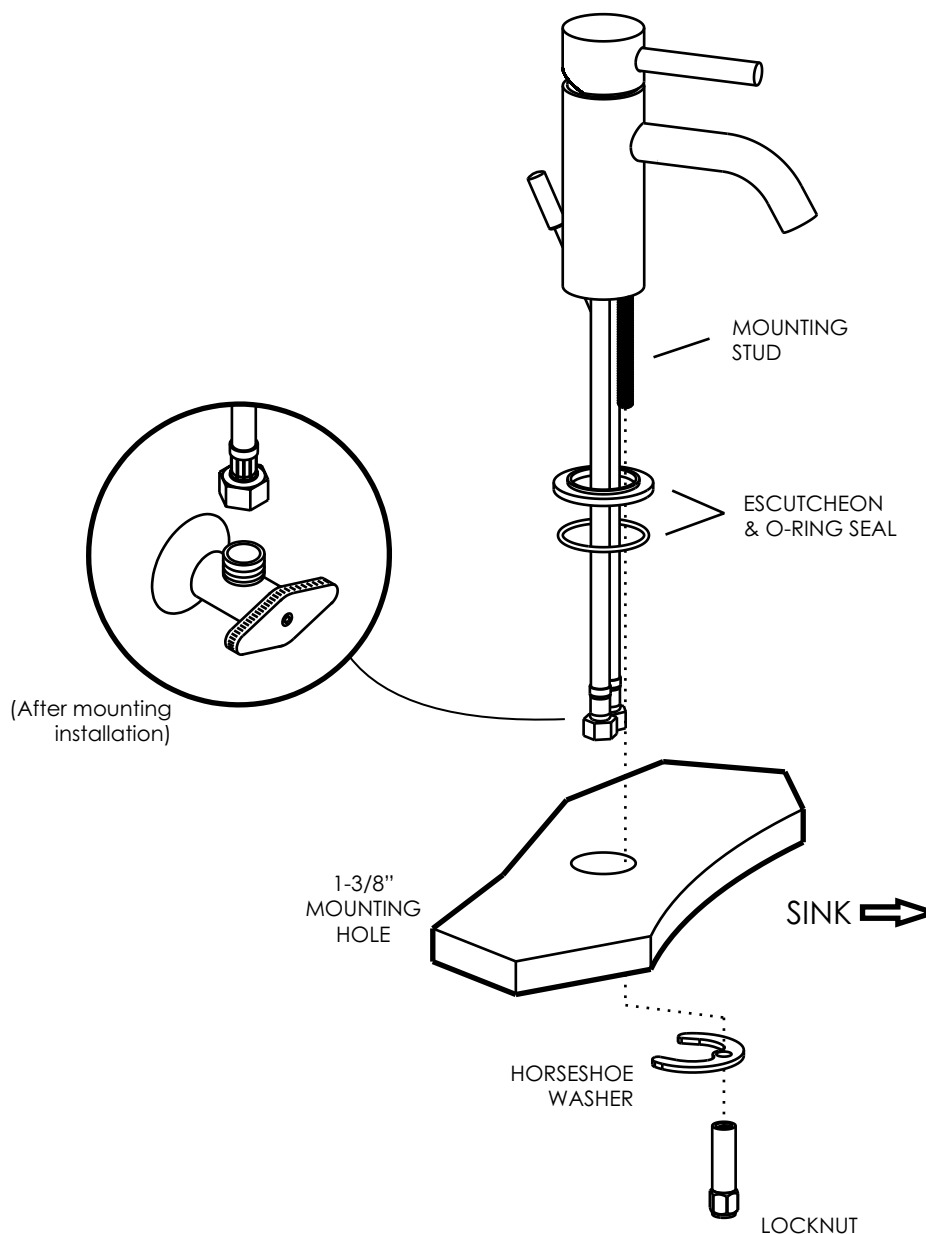
Ensure escutcheon base and o-ring seal is in place before feeding the supply hoses through the 1-3/8" mounting hole.

Feed the supply hoses through the 1-3/8" mounting hole on the counter.

From below the deck, install the horseshoe washer and locknut onto the mounting stud. Before final tightening, adjust the lavatory faucet so it is centered and covers the 1-3/8" mounting hole completely.

Tighten locknut. **(Do not overtighten.)**

Attach the hot (red) and cold (blue) supply hoses to the angle supply valves (not supplied).

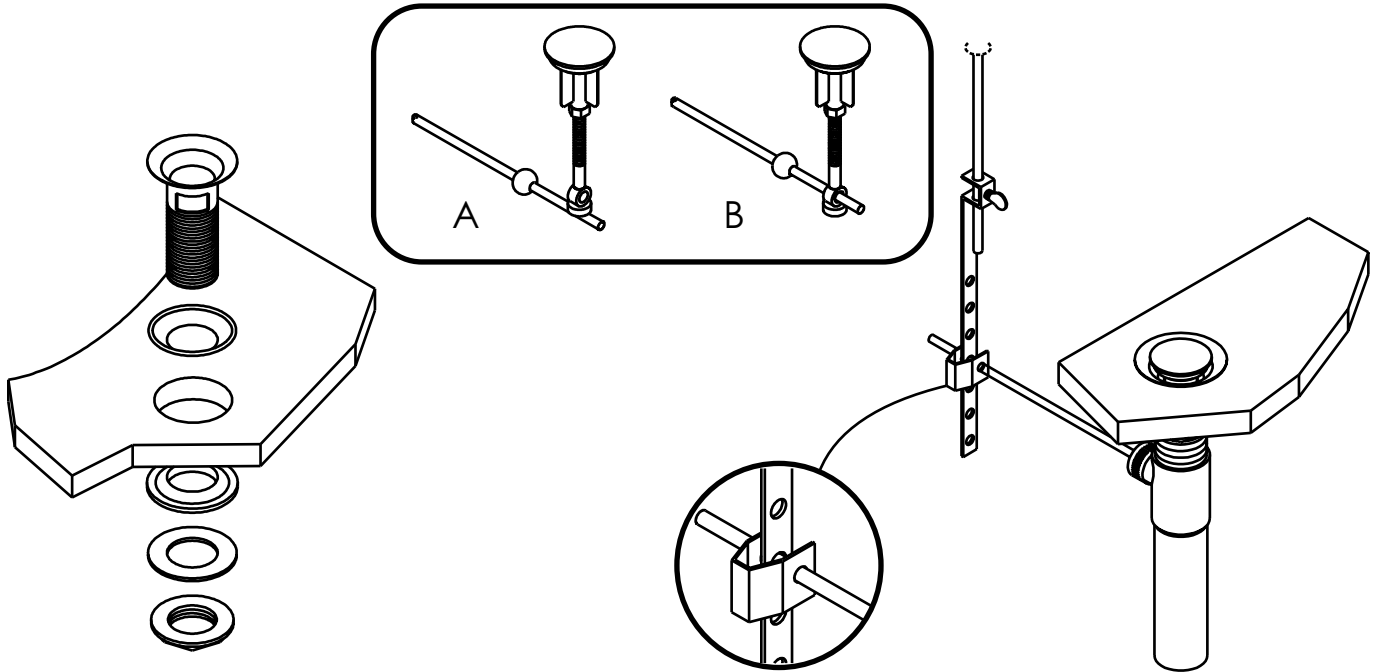


STEPS FOR POP-UP DRAIN INSTALLATION

Insert drain rim into the basin placing teflon washer under the rim. From below, slip on washer onto the bottom thread of the drain rim and secure to basin with drain nut and washer.

Insert drain plug into drain assembly and insert ball rod as diagramed. Attach pop-up rod extension to horizontal ball rod with "V" clip. Attach pop-up rod extension to pop-up rod. To secure drain plug install the ball rod through the bottom hole as shown in diagram "B". To install the drain plug so that it may be removed, place the drain plug on top of the ball rod as shown in diagram "A".

Adjust the height of the drain plug and pop-up rod extension so that the basin both seals and drains adequately. Tighten pop-up rod extension to secure assembly.



OVERALL DIMENSIONS

(All dimensions shown are to the nearest 1/16")

