

INSTALLATION INSTRUCTIONS FOR

PHYLIRICH®

Defining Luxury Since 1959

Single Handle Wall Valve

PART# 9090536

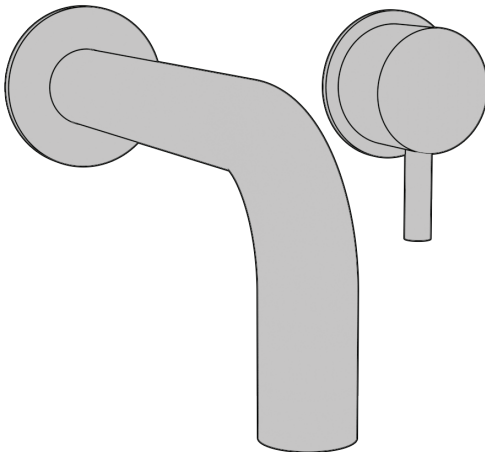
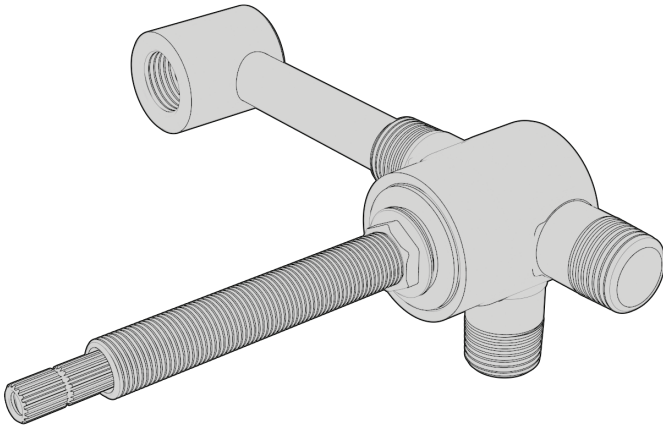
"BASIC II" Single Handle Wall Lavatory Set

PART# 230-15

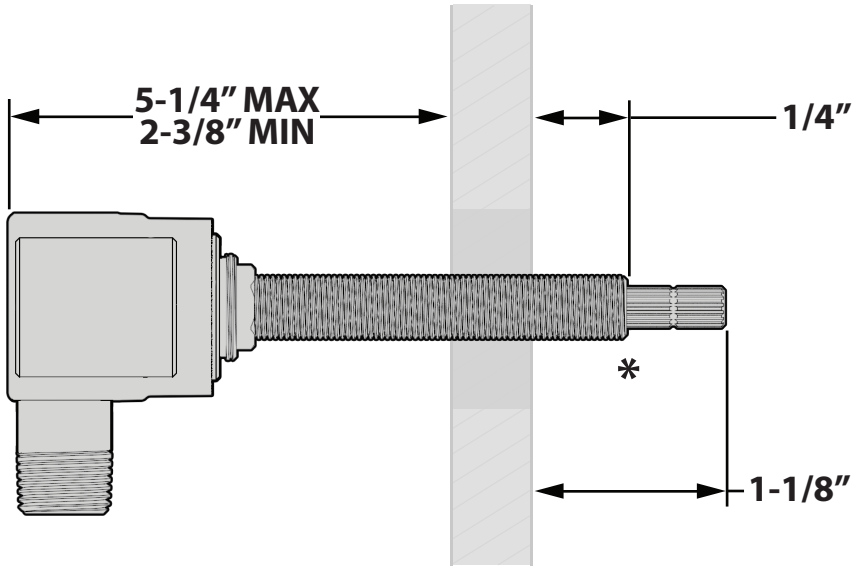
GENERAL CHARACTERISTICS

WE RECOMMEND THAT ALL PLUMBING PRODUCTS BE INSTALLED BY A LICENSED PROFESSIONAL

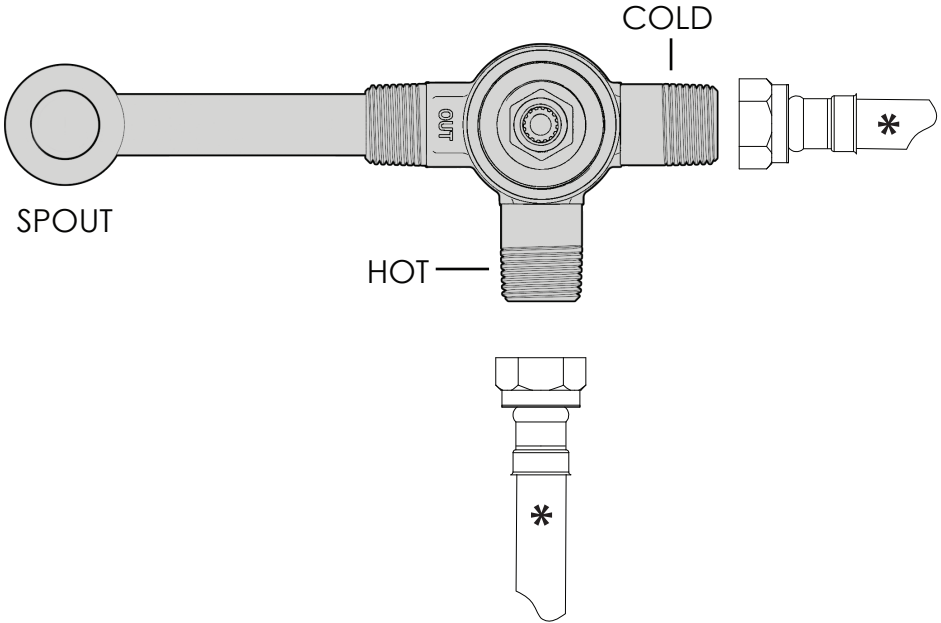
IMPORTANT: Thoroughly read instructions before installation.



VALVE INSTALLATION

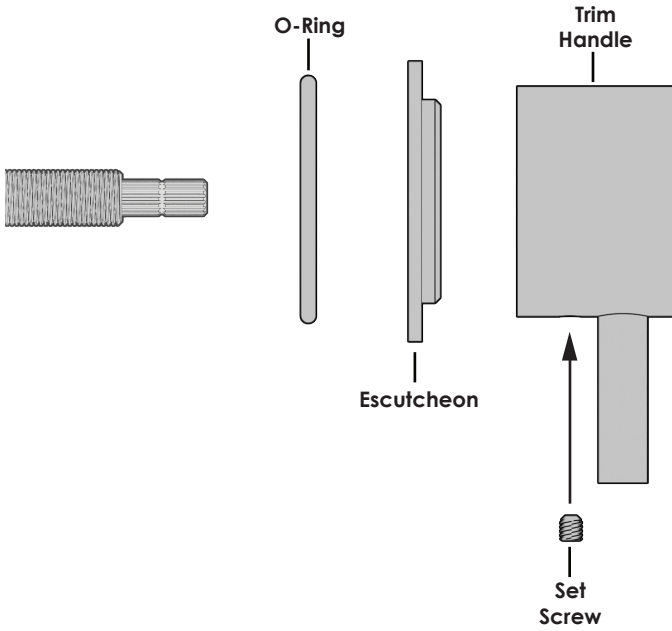


*CUT TO LENGTH IF NEEDED

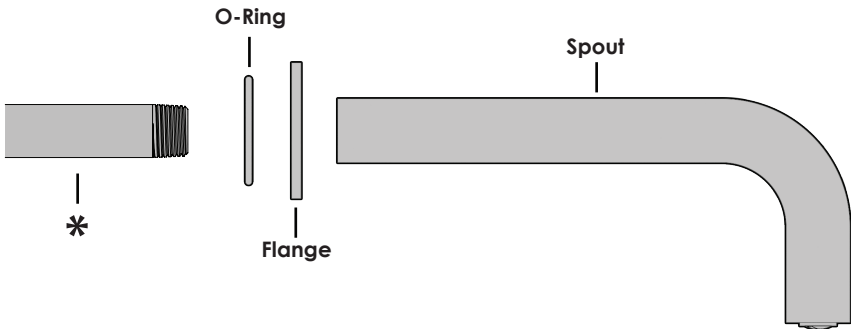


*SUPPLY LINES ARE NOT INCLUDED

TRIM INSTALLATION



SPOUT INSTALLATION



*1/2" NPT NIPPLE NOT INCLUDED

SPECIFICATIONS

ITEM NO.	PART NUMBER	DESCRIPTION	QTY.
1	10209	SHANK, NIPPLE THREAD ALL 9/16"-20UN WITH .433"ID	1
2	10485	NUT, SINGLE HANDLE WALL VALVE	1
3	10486	STEM EXTENSION, 16PT. EXT. BROACH, SINGLE HANDLE WALL VALVE	1
4	10488	STSR CARTDRIDGE ST233, CLOSED TYPE	1
5	2-178	SUB ASSY. SINGLE HANDLE WALL VALVE	1
6	92159	M3 X 10MM SOCKET HEAD SCREW, STAINLESS S.	1

