

Phylrich[®]

**INSTALLATION INSTRUCTIONS FOR
WALL MOUNTED OLD TYME TUB & SHOWER SETS
PRODUCT NUMBERS
K2390, K2391, K2393, K2394A,
K2394B, K2394C, K2394D & K2394F**

2937 North Ontario Street • Burbank • California 91504-2017
Telephone: 800-PHYLRICH • Fax: 866-800-9774
www.phylrich.com

Rough-In Specifications

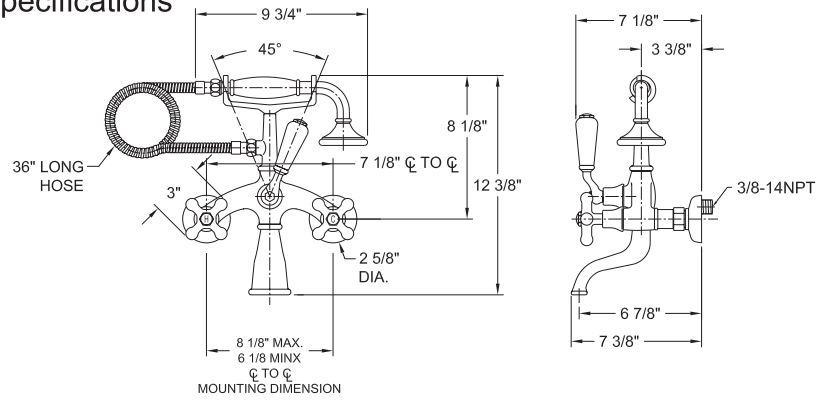
Identify the unit to be installed from the 4 diagrams on this page. Note the minimum and maximum measurements to ensure correct installation.

These sets come with off-set nipples allowing for a variable center to center mounting dimension of 6 1/8" to 8 1/8".

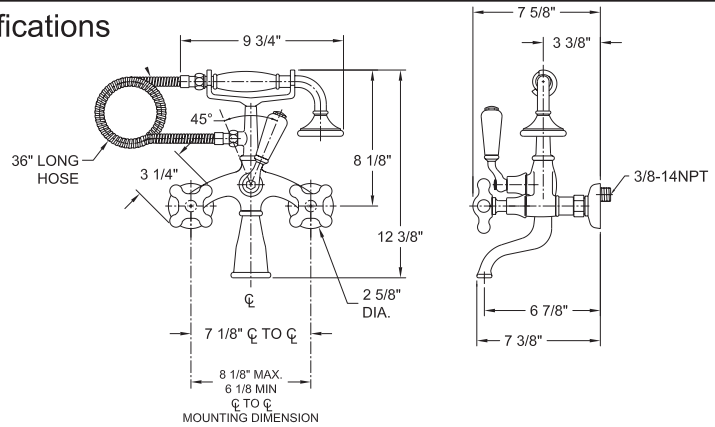
The recommended center to center mounting dimension is 7 1/8".

The bottom of the Tub Spout ***must be*** a minimum of 2" over the top of the tub.

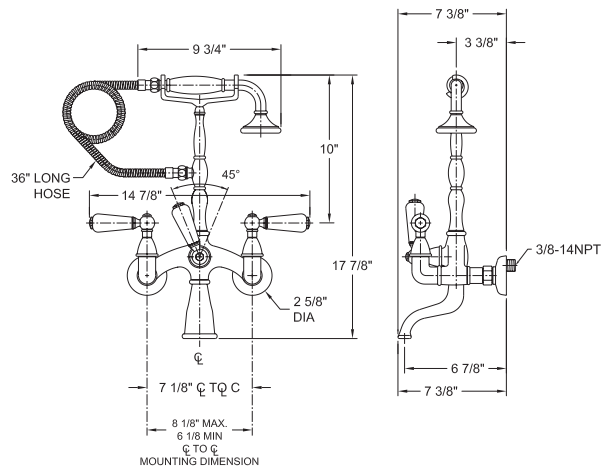
K2390 Specifications



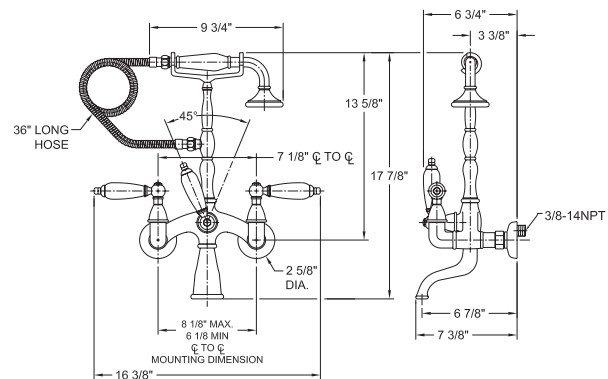
K2391 Specifications



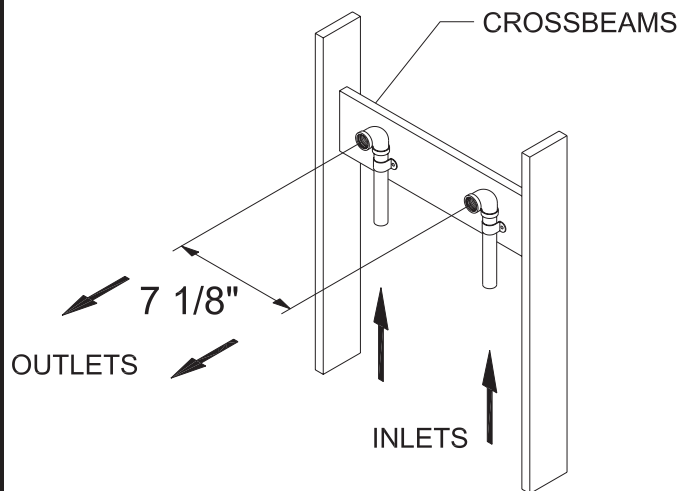
K2393 Specifications



K2394A K2394B K2394C K2394D K2394F Specifications



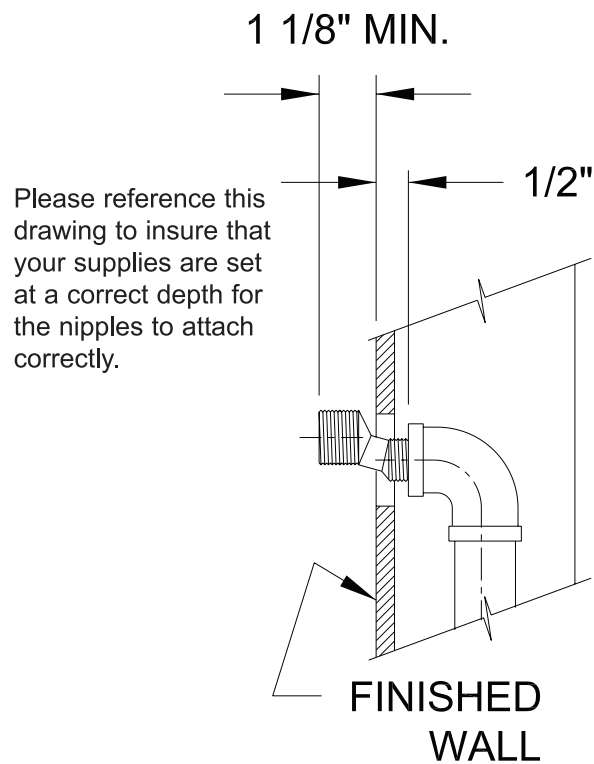
Step #1



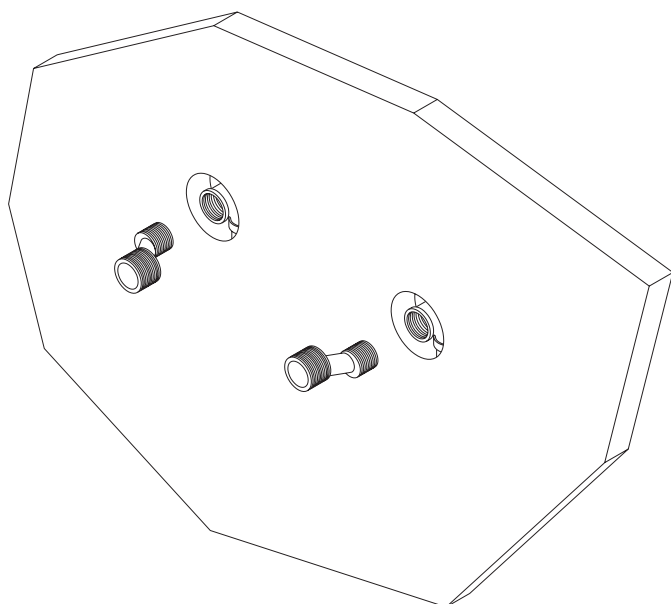
Prepare the hot and cold supply lines as shown above and referencing the specifications on page 1.

NOTE: The Center to Center measurement shown of 7 1/8" can vary up to an inch.

Step #2

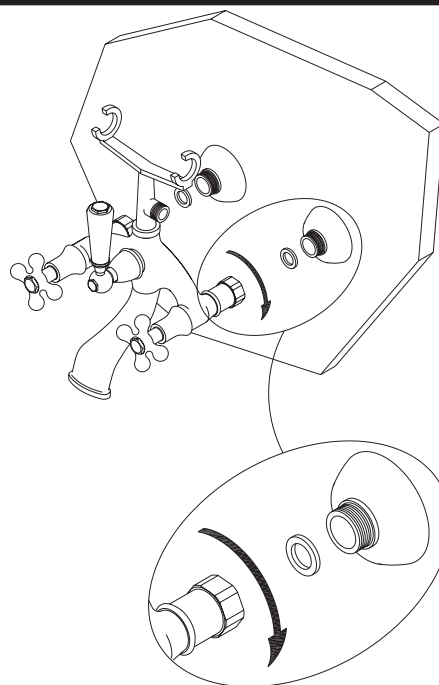


Step #3



Apply teflon tape to both sides of the off-set nipples and thread into hot and cold supply elbows

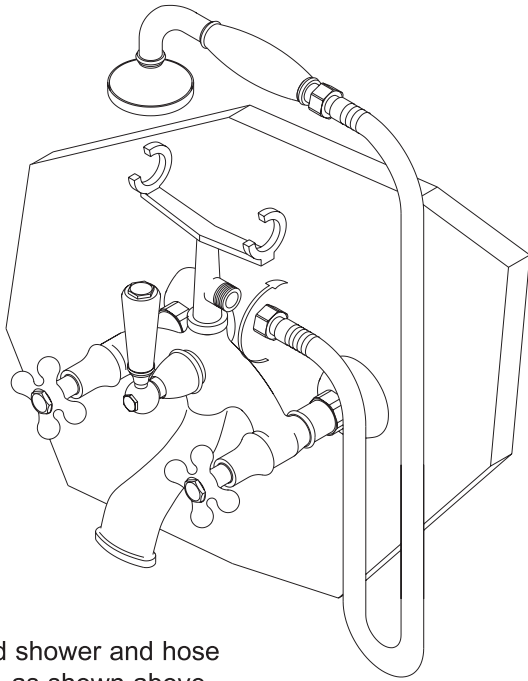
Step #4



Place Wall Flanges over the off-set nipples and attach body to the off-set nipples using supplied washers.

Remove handles and cartridges and flush the lines. Replace the cartridges and handles and check for leaks.

Step #5

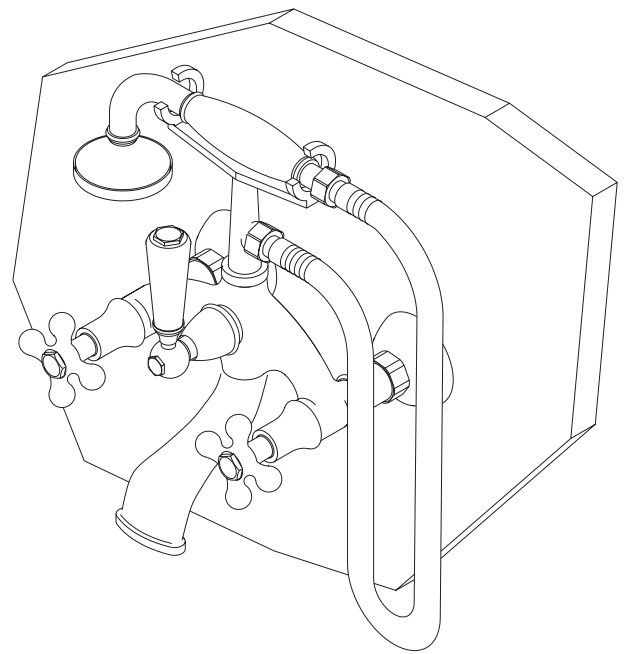


Attach hand shower and hose to the body, as shown above.

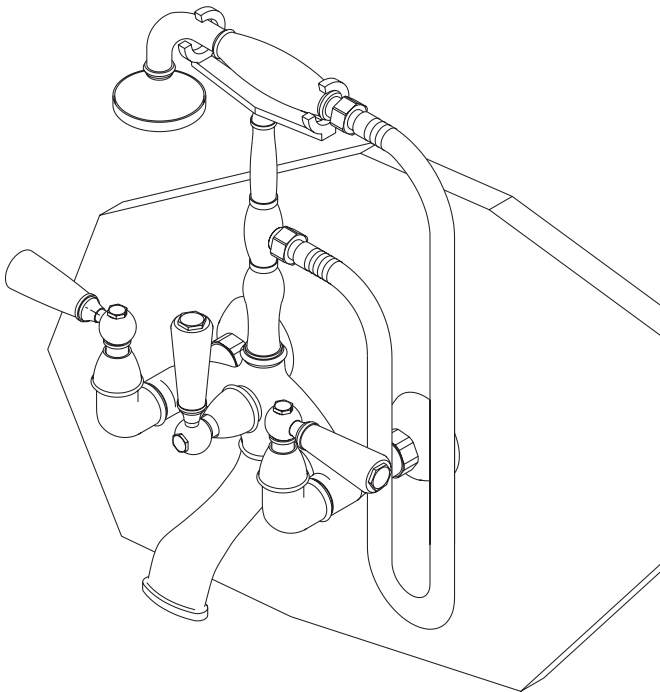
NOTE:

If the unit does not reach into the tub far enough, please contact your local distributor to order part # K2390EXT.

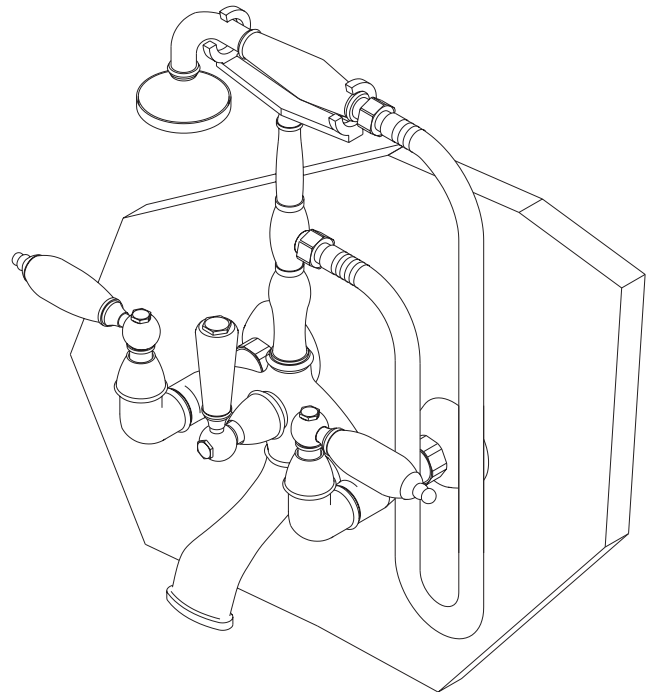
This kit will extend the unit 2" further into the tub.



Final Cross Handle: K2390 & K2391



Final Porcelain Lever Handle: K2393



Final Marble Lever Handle: K2394A-F