

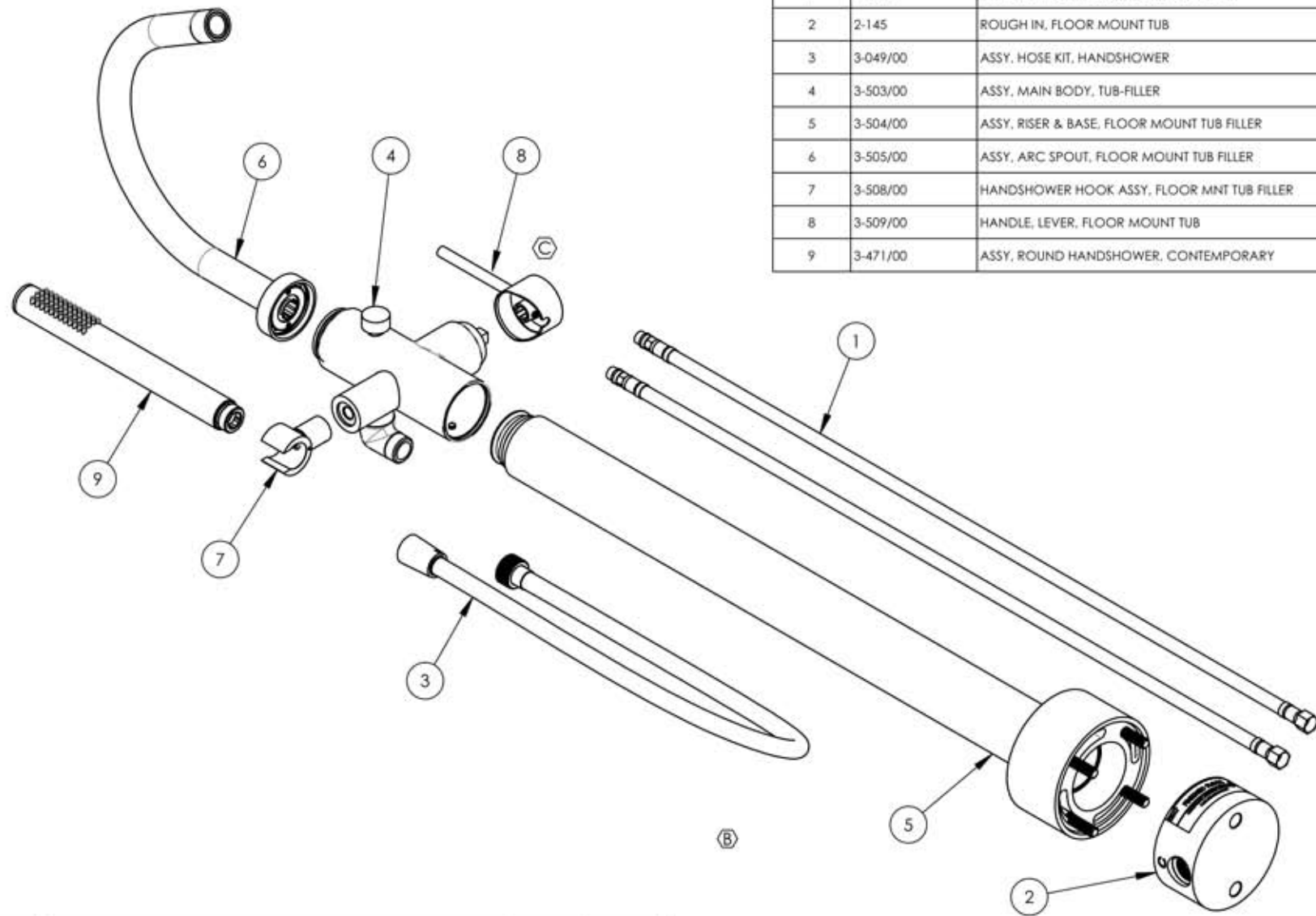
ITEM NO.	PART NUMBER	DESCRIPTION	QTY.
1	11366	HOSE, SUPPLY, FREE STANDING TUB FILLER	2
2	2-145	ROUGH IN, FLOOR MOUNT TUB	1
3	3-049/00	ASSY. HOSE KIT, HANDSHOWER	1
4	3-503/00	ASSY. MAIN BODY, TUB-FILLER	1
5	3-504/00	ASSY. RISER & BASE, FLOOR MOUNT TUB FILLER	1
6	3-505/00	ASSY. ARC SPOUT, FLOOR MOUNT TUB FILLER	1
7	3-508/00	HANDSHOWER HOOK ASSY, FLOOR MNT TUB FILLER	1
8	3-509/00	HANDLE, LEVER, FLOOR MOUNT TUB	1
9	3-471/00	ASSY. ROUND HANDSHOWER, CONTEMPORARY	1

A

B

C

D



B4	C	UPDATED PART NUMBERS	11/30/2017	RAH
ALL	B	FULL BOM CREATED; SUB-ASSY ITEMS CREATED	6/28/2017	GRE
ZONE	REV.	DESCRIPTION	DATE	APPROVED

REVISIONS

1261 LOGAN AVENUE
COSTA MESA, CALIFORNIA 92626
PHONE: 714.361.4800
FAX: 714.617.3120

PHYLORICH®

Defining Luxury Since 1959

PROPRIETARY AND CONFIDENTIAL

THE INFORMATION CONTAINED IN THIS DRAWING IS THE SOLE PROPERTY OF RISS MANUFACTURING. ANY REPRODUCTION IN PART OR AS A WHOLE WITHOUT THE WRITTEN PERMISSION OF RISS MANUFACTURING IS PROHIBITED.

NEXT ASSY	USED ON	INTERPRET GEOMETRIC DIMENSIONING & TOLERANCING IN ACCORDANCE WITH ASME Y14.5-2009 & ASME Y14.41-2003 STANDARDS. UNLESS OTHERWISE SPECIFIED, DIMENSIONS ARE IN INCHES. TOLERANCES ARE:		
APPLICATION		FRACTIONS ±1/64"	DECIMALS X.X: ±.1 X.XX: ±.01 X.XXX: ±.005	ANGULAR ±.5°
MATERIAL			NAME	DATE
FINISH		DRAWN	MAF	6/27/2017
		CHECKED		

DO NOT SCALE DRAWING

ASSY, FLOOR MOUNT TUB FILLER, BASIC II

SIZE	ASM/PRT NO.	REV
A	230-45/00	C

SCALE: 1:4.5 WEIGHT: lbs. SHEET 1 OF 2

5

4

3

2

1