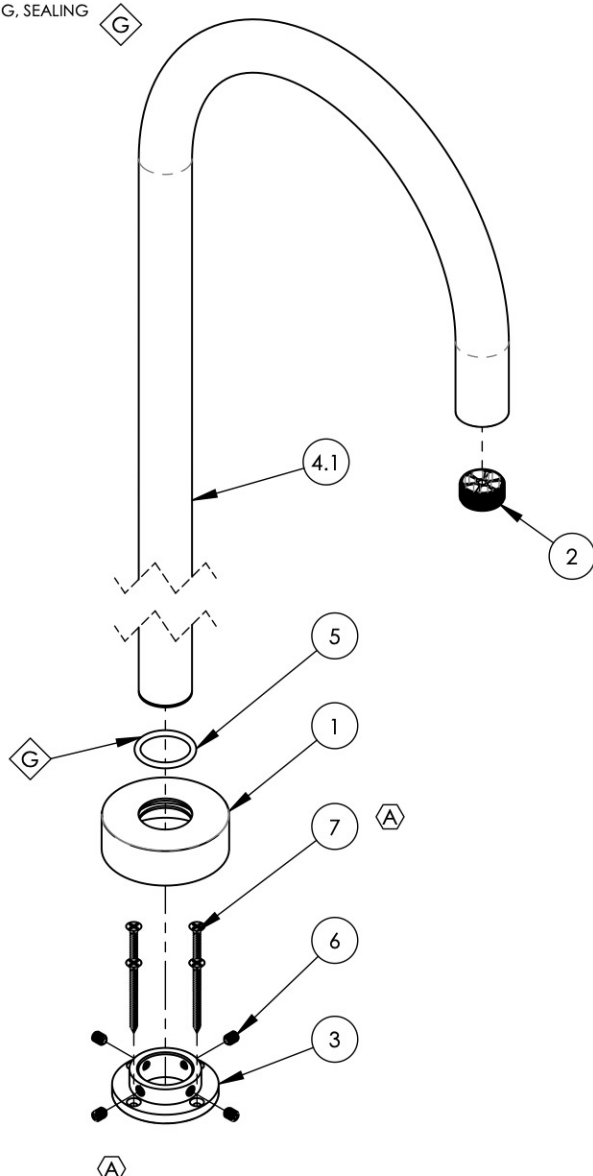


NOTE(S):  
 1. APPLY NSF COMPLIANT GREASE TO ANY O-RING, SEALING JOINTS, AND/OR PIVOTAL POINTS.



ITEM NO.	PART NUMBER	DESCRIPTION	QTY.
1	10465/00	ESCUTCHEON, FLOOR MOUNT, BASIC II	1
2	10491	AERATOR, STREAM STRAIGHTNER, FLOOR MOUNT SPOUT	1
3	11299	ADAPTOR, FLOOR MOUNT	1
4	2-154/00	SUB ASSY. BRAZED BUNG, FLOOR MOUNT	1
4.1	10505/00	TUB FILLER, 10-1/2" CENTER TO CENTER	1
4.2	11298	BUNG NIPPLE, BRAZED, FLOOR MOUNT	1
5	90217	O-RING, 1-3/16"ID X 1-7/16"OD X 1/8"THK., AS-568-217	1
6	92127	SET SCREW, CUP PT, 1/4"-20 X 5/16"L, SS	4
7	92195	SCREW, FLAT HD #8 WITH #2 PHIL DRIVE, 2"L	4

ALL	A	UPDATE TEMPLATE/ SCREWS, ADD CALLOUTS, REMOVE BASE O-RING	4/3/2020	AMM
ZONE	REV.	DESCRIPTION	DATE	APPROVED
REVISIONS				

1261 LOGAN AVENUE  
 COSTA MESA, CALIFORNIA 92626  
 PHONE: 714.361.4800  
 FAX: 714.617.3120

**PHYLIRICH**<sup>®</sup>  
 Defining Luxury Since 1959

**PROPRIETARY AND CONFIDENTIAL**  
 THE INFORMATION CONTAINED IN THIS DRAWING IS THE SOLE PROPERTY OF PHYLIRICH. ANY REPRODUCTION IN PART OR AS A WHOLE WITHOUT THE WRITTEN PERMISSION OF PHYLIRICH IS PROHIBITED.

-	-	INTERPRET GEOMETRIC DIMENSIONING & TOLERANCING IN ACCORDANCE WITH ASME Y14.5-2009 & ASME Y14.41-2003 STANDARDS, UNLESS OTHERWISE SPECIFIED. DIMENSIONS ARE IN INCHES. TOLERANCES ARE:		
NEXT ASSY	USED ON	<b>FRACTIONS</b> ±1/16"	<b>DECIMALS</b> X.X: ±.1 X.XX: ±.01 X.XXX: ±.005	<b>ANGULAR</b> ±2°
APPLICATION		MATERIAL	NAME	DATE
FINISH		DRAWN	LLO	9/17/2015
<b>DO NOT SCALE DRAWING</b>		CHECKED	GRE	

**FLOOR MOUNT SPOUT, BASIC II SERIES**

SIZE	ASM/PRT NO.	REV
<b>A</b>	230-52/00	<b>A</b>
SCALE: 1:4.5	WEIGHT: lbs.	SHEET 1 OF 2