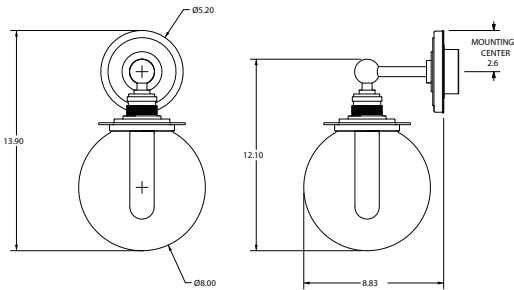


Porter

CUSTOM OPTIONS



The Porter sconce packs energy efficiency and modern technology into a classic form. Offered in two diffuser finishes, the custom LED engine illuminates your choice of either a clear or cased matte opal glass globe.

DIMENSIONS

13.90"H x 8.00"W x 8.83"P

LAMPING / VOLTAGE

[1] 10W Integrated LED, 850 Lumens (Nominal),
3000K, 120V, ELV Dimming

FINISH

Satin Brass, Brushed Nickel, Polished Nickel,
Polished Chrome

DIFFUSER

Clear Glass
Cased Matte Opal Glass

Customize this fixture to your specific needs



Finish shown: Polished Nickel



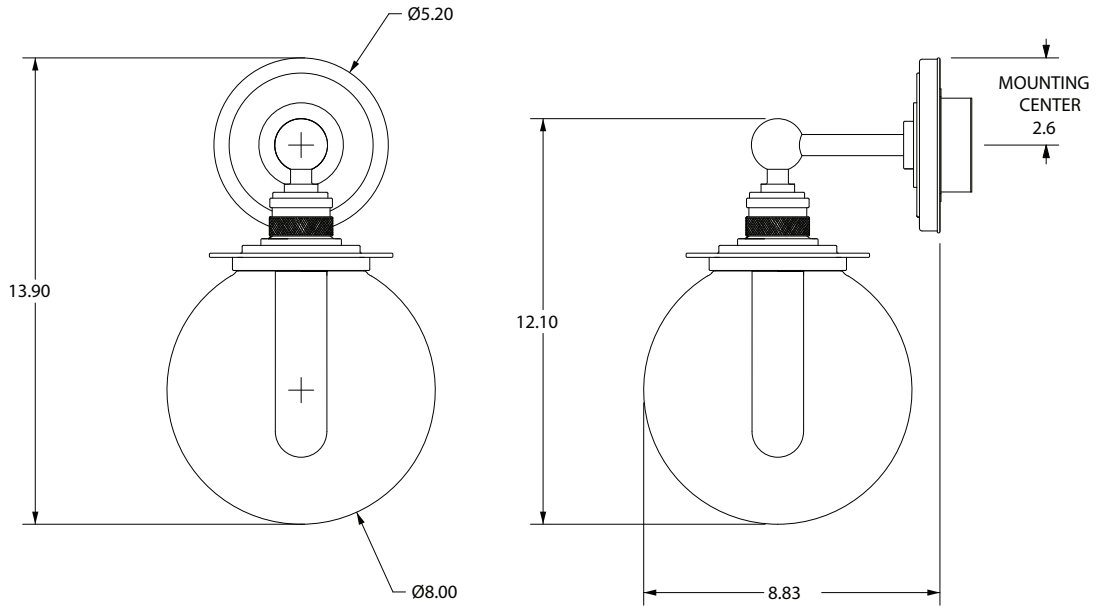
AYRE Lighting Group, Inc.
14 Bristol Drive, Unit B
South Easton, MA 02375

Tel 508.205.0545
Toll Free 877.722.AYRE
Fax 508.205.0548

ayrelight.com

Porter

CUSTOM OPTIONS

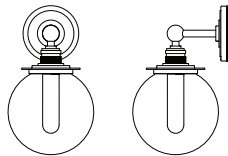


Fixture can be mounted vertically UP or DOWN

Est. Weight: 4.25 lbs

MODEL

PORTER SCONCE // POR1



DIMENSIONS

Height: 10.14
Width: 8.00

FIXTURE TYPE

Sconce / S

DIFFUSER

Clear Glass / CL
Cased Matte Opal Glass / CM

FINISH

Satin Brass / SB
Brushed Nickel / BN
Polished Nickel / PN
Polished Chrome / CH

LAMPING / VOLTAGE

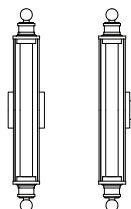
LED / LED
[1] 10W LED Module, 120V,
ELV Dimming
*See Installation Instructions for
recommended LED dimmers



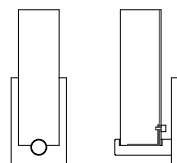
Damp Location Rating

RELATED PRODUCTS

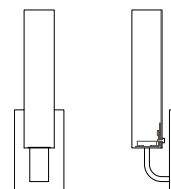
CHARTER SCONCE // CHA1
ADA



CLIK SCONCE // CLK 1
ADA



REFLEX SCONCE // REF1
ADA



CIRC PENDANT // CIRP

