

Charter

INSTRUCTIONS

LAMPING

Risk of fire and electrical shock. Installation requires knowledge of electrical systems and should be installed by a qualified electrician. If not qualified, DO NOT ATTEMPT INSTALLATION.

To avoid the risk of fire or overheating, do not exceed the recommended wattage.

SHUT OFF ELECTRICAL SUPPLY AT THE CIRCUIT BREAKER

INSTALLATION

fig. A

Remove the (2) *End Screws* from the fixture to release the *LED Assembly*.

fig. B

Remove the (4) screws from the *Backplate* to release the *Mounting Plate* from the fixture.

fig. C

Place the *Mounting Plate* against the junction box while allowing wires to pass through the central opening. Fasten *Mounting Plate* to junction box with the (2) mounting screws provided.

fig. D

WIRE CONNECTION (see chart on page 2)

Attach the junction box GROUND WIRE to the bare copper GROUND WIRE from the fixture. Fasten with a plastic wire nut. If there is not a ground wire from the junction box, wrap the bare copper ground wire from the fixture around the green screw on the mounting bracket.

Connect the fixture's WHITE [neutral] wire to the NEUTRAL WIRE from the junction box.

Connect the fixture's BLACK [hot] wire to the HOT WIRE from the junction box.

Tuck the wired connections into the junction box and position the fixture correctly over the mounting plate. Wires must be neatly positioned for the fixture to sit properly on the mounting plate.

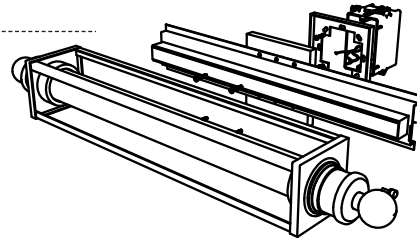
fig. E

Fasten the fixture to the *Mounting Plate* using the (4) screws that were previously removed.

fig. F

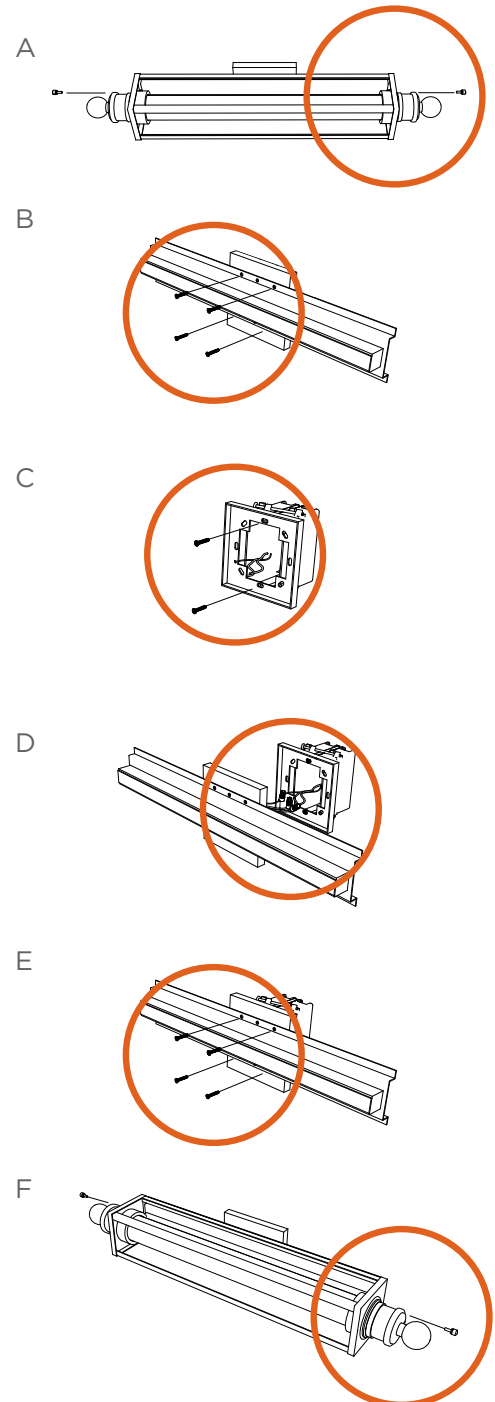
Fasten the fixture to the LED Assembly with the (2) *End Screws* that were previously removed

Installation is now complete.
Restore power to the junction box.



CARE INSTRUCTIONS

Wipe with a soft cloth only. Always avoid using harsh chemicals and/or cleaners.



Charter

INSTRUCTIONS (CONT.)

LED LIGHT SOURCE

This fixture uses an integrated LED light source designed by AYRE specifically for this fixture. Please contact AYRE for further information if needed. This fixture will work with standard ELV dimming systems. Below is a short list of compatible Lutron wall dimmers although other brands of dimmers will also work.

RECOMMENDED LED DIMMER SWITCHES

LED Dimming specifications are not as straight forward as incandescent dimming. You will need an LED dimmer switch to correctly control the LED modules in the fixture. **USE ONLY** Electronic Low Voltage dimmers (ELV) with Reverse Phase, Trailing Edge. This allows the fixtures intensity to dim from high-to-low and low-to-high while reducing flickering. *DO NOT use Triac dimmers - incandescent, C-L, forward phase and Magnetic Low Voltage (MLV) as these will not work with AYRE LED modules.*

If you are not qualified, do not attempt installation.

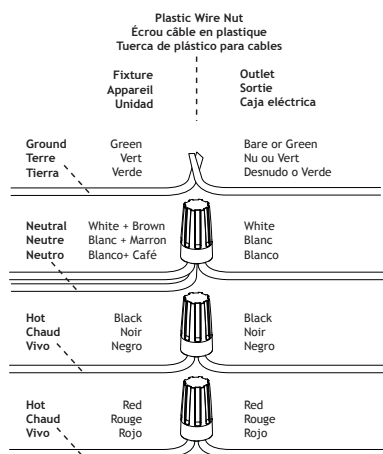
Always consult with a certified electrician.

ELECTRICAL ROUGH-IN

A standard single rectangular junction box is required for installation.

For bathroom applications, AYRE recommends installing a light fixture on each side of the mirror.

The height for fixture placement is dependant on the height of the mirror while also taking into consideration the height of the end user. We recommend that the center of the diffuser should be at the center of the users face for optimal illumination.



If you are not qualified, do not attempt installation.

Always consult with a certified electrician.

AYRE recommends using the following dimmers with our linear LED fixtures as they provide the best range of dimming control.

Brand	Series	Model
Lutron	Diva	DVELV-300P*
Leviton	Vizia+	VPE04-1LZ
	Vizia+	VPE06-1LZ

Additional options

Lutron	Maestro	MAELV-600
Leviton	Decora	DSE06-10Z

There are many dimmer options on the market. Choosing an Electronic Low Voltage Dimmer with Reverse Phase and Trailing Edge are required for the best dimming performance.

Always consult with a certified electrician

**Performed best under testing*

HORIZONTAL OR VERTICAL MOUNTING

JBOX MUST BE INSTALLED IN DIRECTION OF FIXTURE

IF MOUNTING IN A HORIZONTAL POSITION, YOU MAY NEED TO ROTATE THE DRIVER INSIDE THE BACKPLATE 90 DEGREES REMOVING THE SCREWS AND USING THE ADDITIONAL MOUNTING TABS ON THE BACK OF THE CANOPY

