

---

### CONTENT

- Prep the wall - **3**
- Frame installation - **5**
- Attaching the side kits - **7**
- Installing any optional vanity accessories - **7**
- Sink assembly - **8**
- Insert the drawer - **10**
- Attaching glass drawer front - **11**

---

### GENERAL INFORMATION

This instruction manual contains information on how to install the 30" high Cartesian Vanity. This series comes in several sizes and variations. Electrical option(s) may be provided with your vanity(s).

This vanity series needs special site preparation. Do not install vanities until all framing, plumbing and electrical option rough-ins have been completed and wall surface has been finished. We recommend using the services of a professional installer. Observe all local building codes.

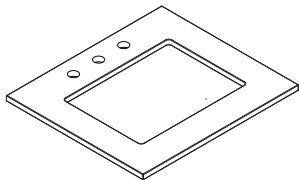
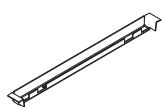

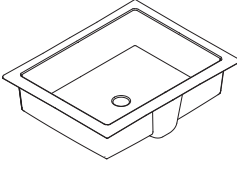



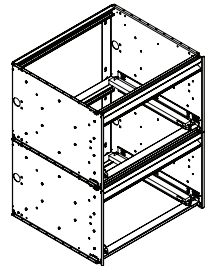
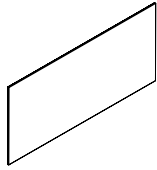
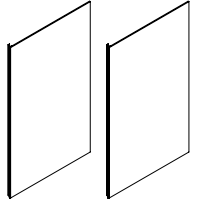


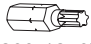
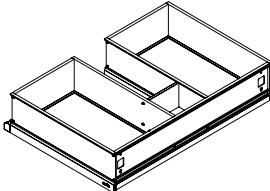
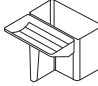
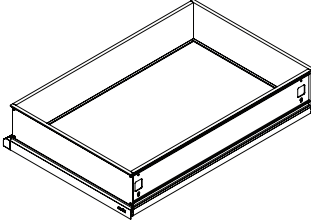


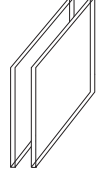


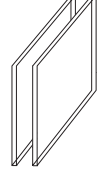


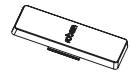
Save these instructions for future use and reference. An improper installation voids the warranty. Installed vanities cannot be returned.

If you experience any problems with your vanities, contact your dealer or Robern directly.

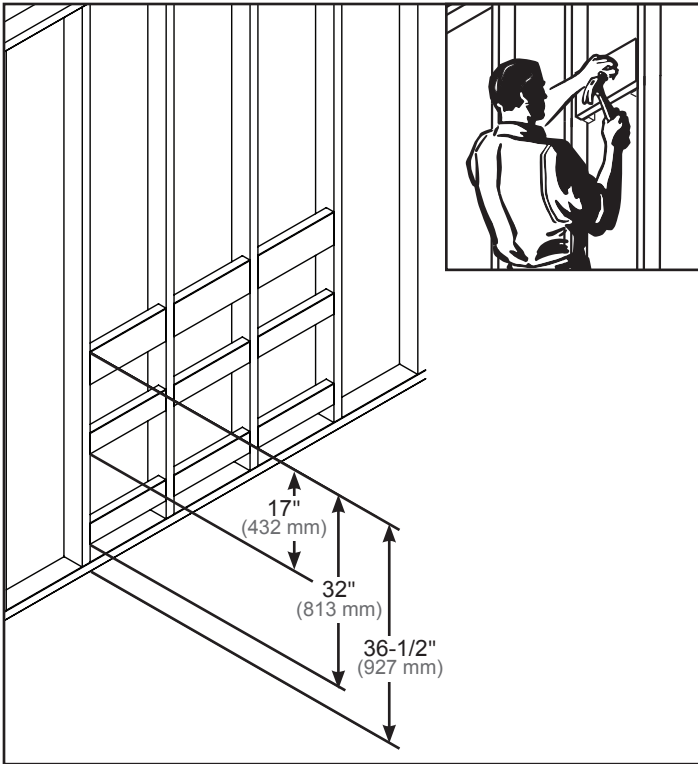
# TOOLS NEEDED



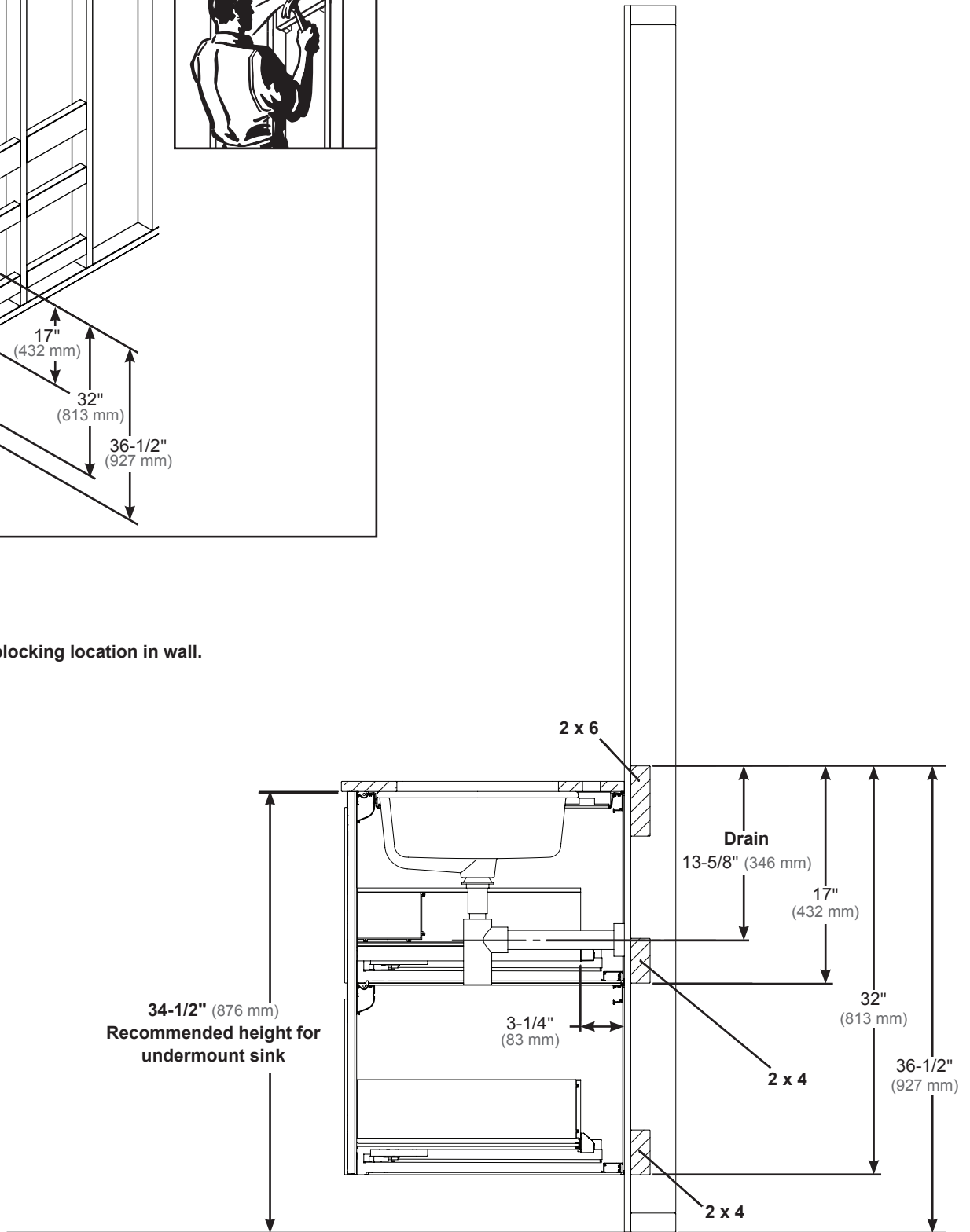
# PARTS

 <p>Stone Top</p>	<p>[228-1015] Sink Box</p>  <p>[210-1100] (2, 4, or 6) Bracket</p>  <p>[207-1065] Silicone Sealant</p>  <p>Sink</p>  <p>[1193643] (4) Bracket (not needed for this model)</p>	<p>[216-1120] Sink Hardware Bag</p>  <p>[203-1337] (4) Acorn Nut</p>  <p>[203-1335] (4) #10-24 x 1.5" Screw</p>	
 <p>(2) 24", 30", or 36" Cartesian frame 30" shown here</p>	 <p>(2) Drawer front</p>	<p>[VM2SKH2D21##] Side kit</p>  <p>Side kit</p>	<p>[216-1073] Mounting Hardware Bag</p>  <p>[203-1256] (8) 5/16" x 2-1/2" Structural Bolt</p>  <p>[SS674] (10) #10 x 2" Screw</p>  <p>[203-1270] T-30 Driver</p>
<p>24", 30", or 36" Plumbing Drawer</p>   <p>[202-1179] (1) Glass Center Bin</p>	<p>24", 30", or 36" Full Drawer</p> 	<p>[216-1074] Drawer front Hardware Bag</p>  <p>[203-1219] (8) #8-32 x 1/2" Screw</p>  <p>[203-1198] (8) Washer</p>	
<p>[225-1039] = 24" [225-1040] = 30" [225-1041] = 36" Divider Set Plumbing Drawer</p>  <p>Divider Glass</p>  <p>[211-1073] (4) Divider Clip</p>  <p>[211-1098] (4) Divider Clip Shoe</p>	<p>[225-1042] Divider Set Full Drawer</p>  <p>Divider Glass</p>  <p>[211-1073] (4) Divider Clip</p>  <p>[211-1098] (4) Divider Clip Shoe</p>	 <p>[211-1095] (4) Screw cover</p>	

# STEP 1 - PREP THE WALL



Side view showing blocking location in wall.



robern

© 2017 Robern, Inc. 701 N. Wilson Ave. Bristol, PA 19007 U.S.A.  
800.877.2376 [www.robern.com](http://www.robern.com)

Installation instructions

Part no. 209-1275-rA rev. 06/06/17  
Curated Cartesian H2 - 2 Drawer

## STEP 1 - PREP THE WALL

There are two types of electrical options available for vanities. The first is a night light option ordered with the vanity. The second is an electrical accessory [VAELECTRIC]. Both of these options can be plugged into the same outlet.

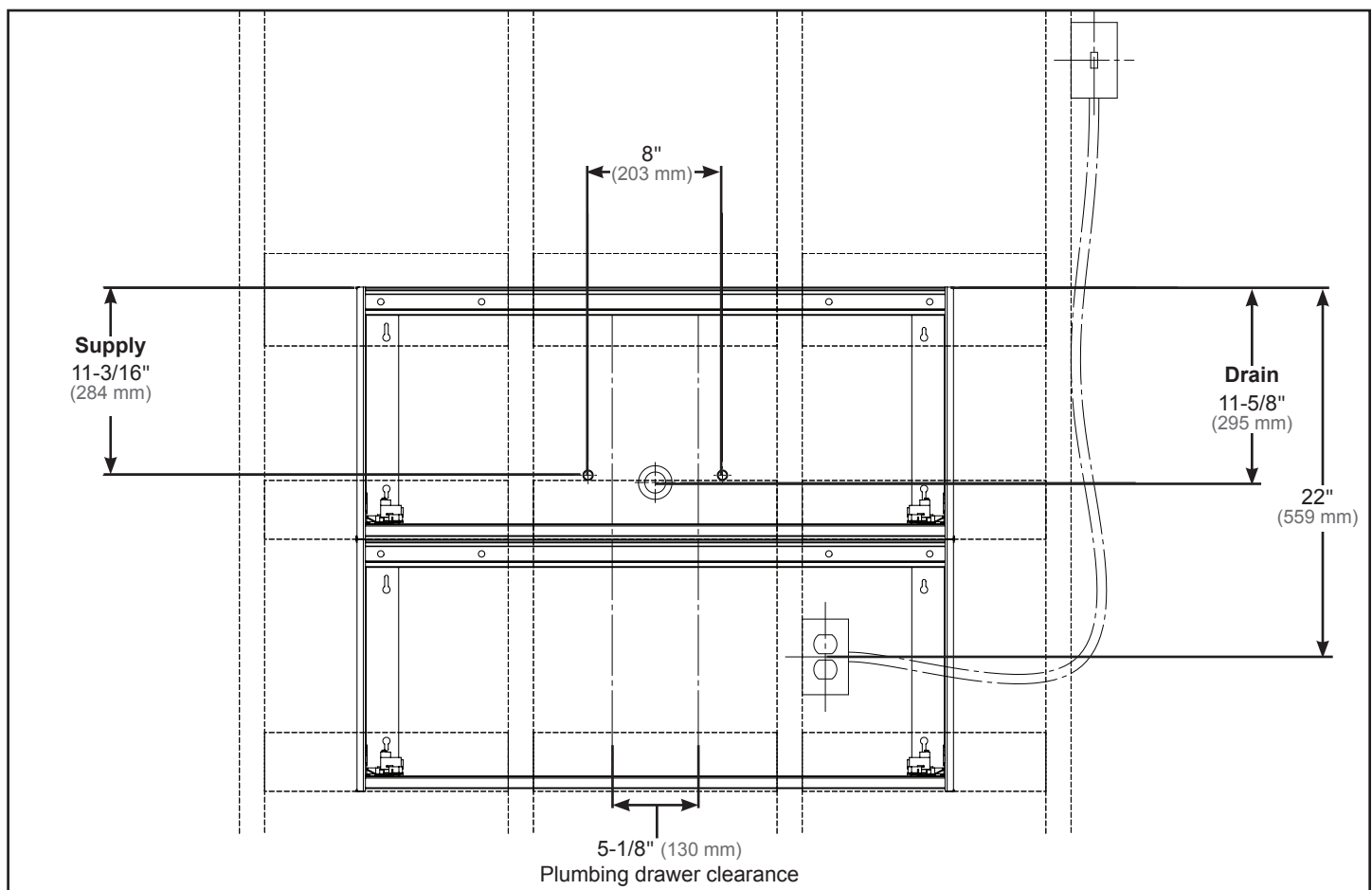
The outlet must be wired to a 120vac 20 amp GFCI circuit. We do not recommend using a GFCI outlet because resetting it under the vanity will be inconvenient.

The night light has no switch. A switch can be wired to one receptacle in the outlet to operate the night light or, for a seamless experience, an occupancy sensor can be installed near the doorway to the bathroom.

All applicable electrical codes in your area must be followed.

The outlet can be installed to the left or right of center depending on which side the VAELECTRIC accessory will be located.

Plumbing should be located as shown to prevent interference with the vanity drawers.



robern

© 2017 Robern, Inc. 701 N. Wilson Ave. Bristol, PA 19007 U.S.A.  
800.877.2376 [www.robern.com](http://www.robern.com)

Installation instructions

Part no. 209-1275-rA rev. 06/06/17  
Curated Cartesian H2 - 2 Drawer

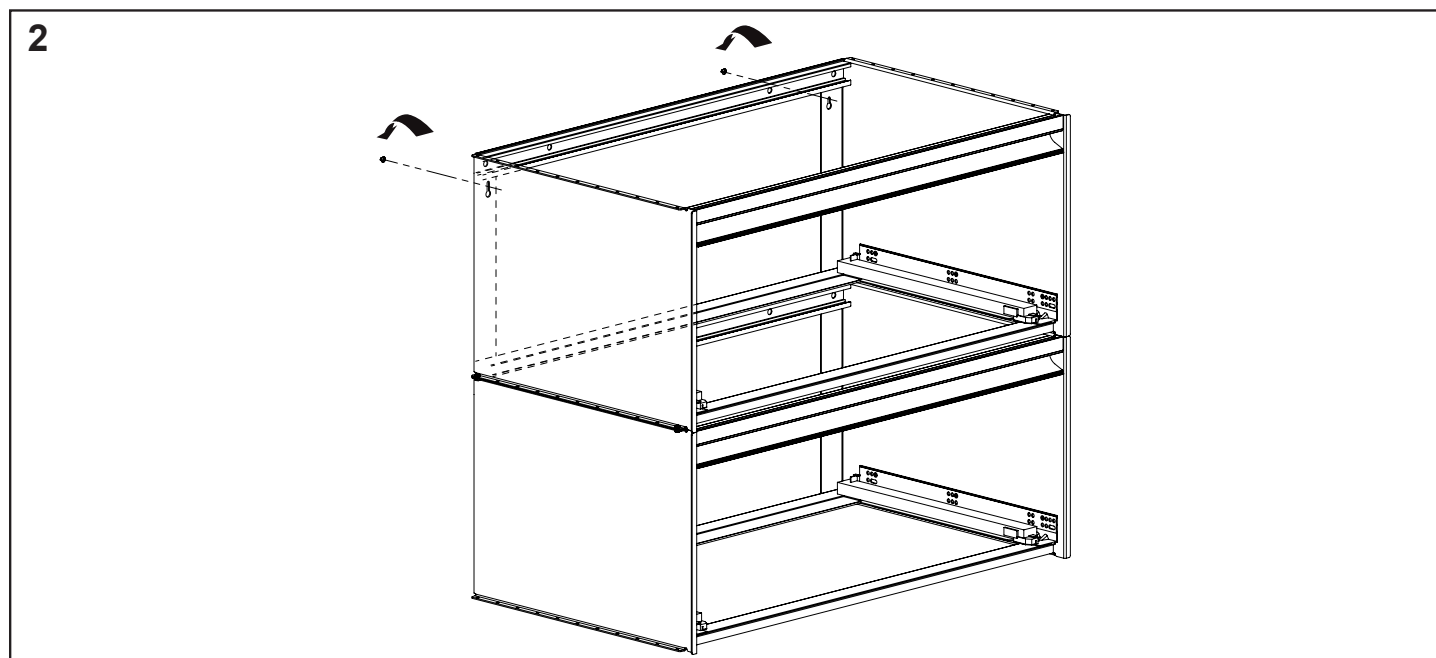
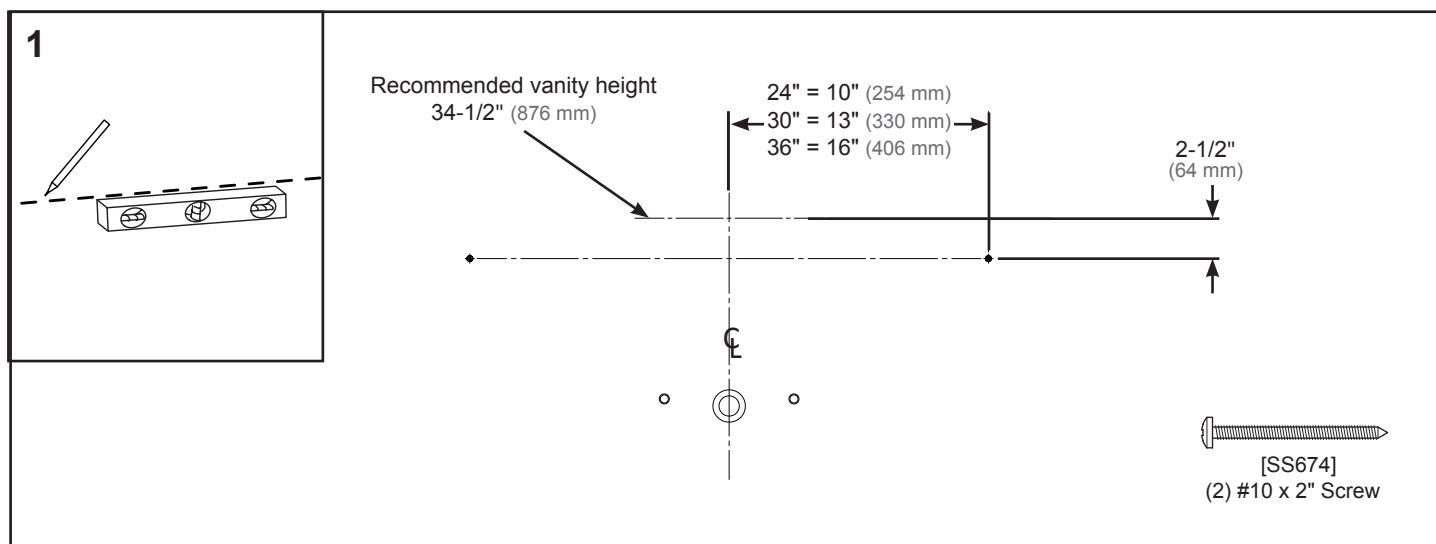
## STEP 2 - FRAME INSTALLATION

The drawer fronts are packed separately. Do not unpack them until the room is clear of hazards.

1. Mark the height for the vanity frame install on the finished wall and install two of the #10 x 2" (SS674) at the locations shown in Figure 1. Do not install tight to the wall, leave 1/8" behind the head.

2. Place the vanity frame on the screws using the top left and right keyholes. See Figure 2. The keyhole on the left allows for up and down adjustment.

**WARNING: THESE SCREWS ARE NOT THE FINAL SUPPORT FOR THE VANITY! SEE NEXT PAGE FOR FINAL BOLT UP.**



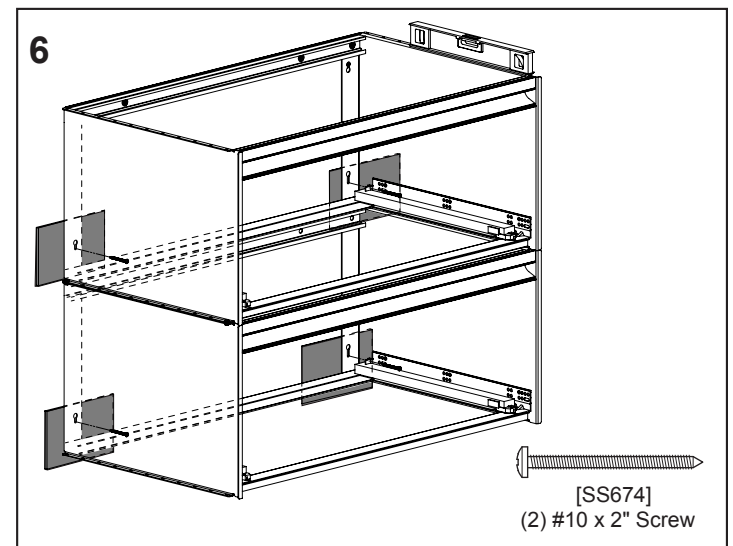
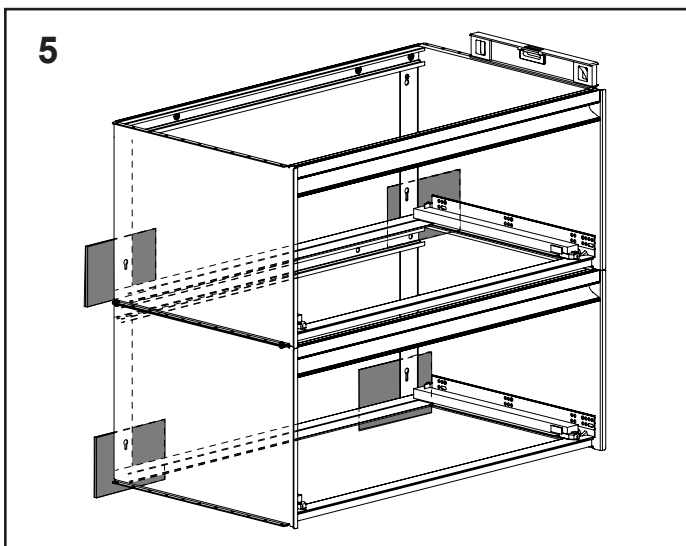
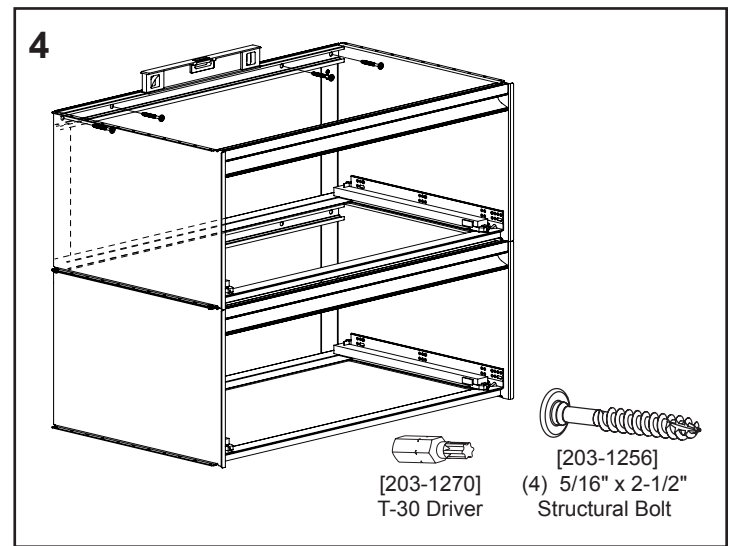
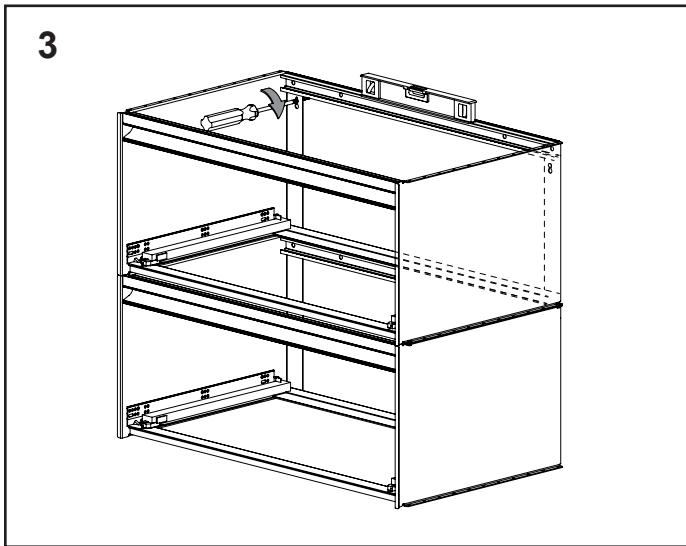
robern

© 2017 Robern, Inc. 701 N. Wilson Ave. Bristol, PA 19007 U.S.A.  
800.877.2376 [www.robern.com](http://www.robern.com)

Installation instructions

## STEP 2 - FRAME INSTALLATION

3. Level the frame and tighten to the wall as shown here in Figure 3. The left keyhole is elongated to allow for up and down adjustment.
4. Install the four Structural Bolts (203-1256) into the four top frame holes. Figure 4. A T-30 Torx Bit is provided.
5. If the vanity doesn't sit level, or the wall is bowed, shim the frame as required. Shown in Figure 5.
6. Install two #10 x 2" (SS674) through the narrow slot of the keyhole on the flange to hold the shims in place as shown in Figure 6.



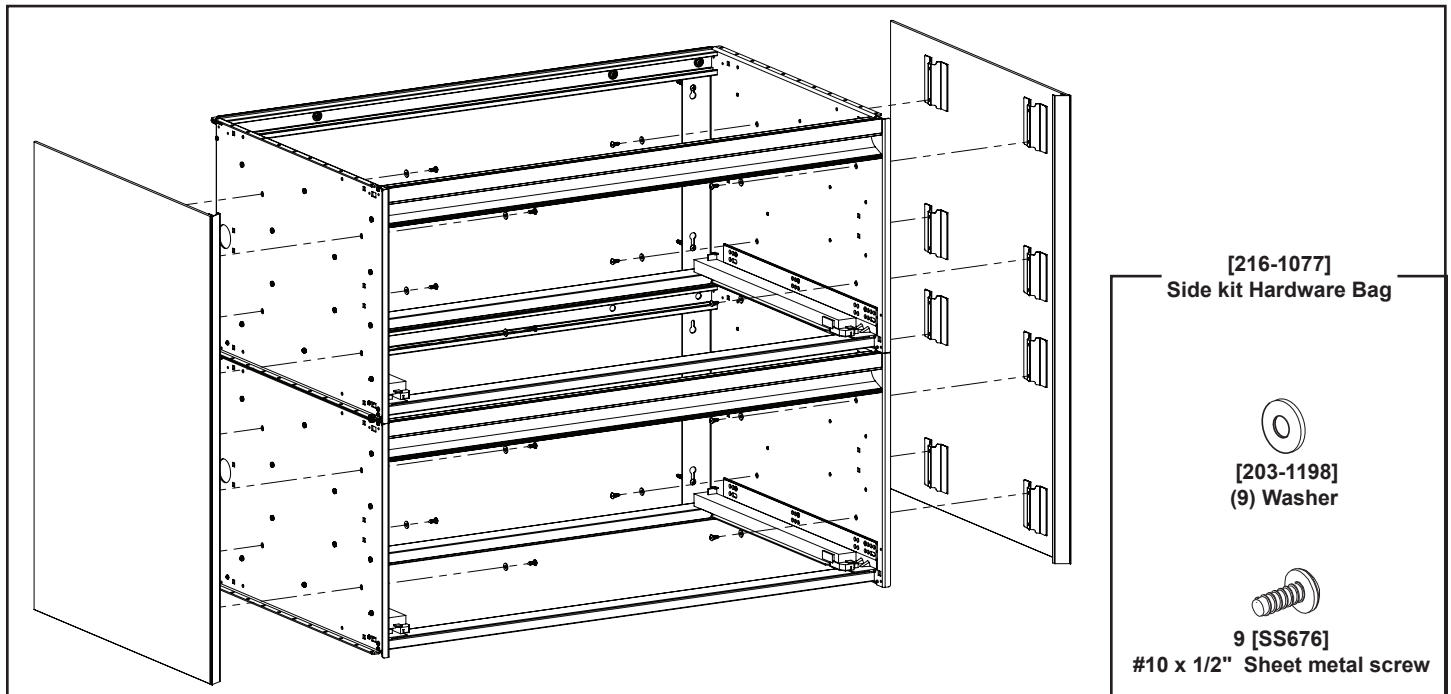
robern

© 2017 Robern, Inc. 701 N. Wilson Ave. Bristol, PA 19007 U.S.A.  
800.877.2376 [www.robern.com](http://www.robern.com)

Installation instructions

## STEP 3 - ATTACHING THE SIDE KITS

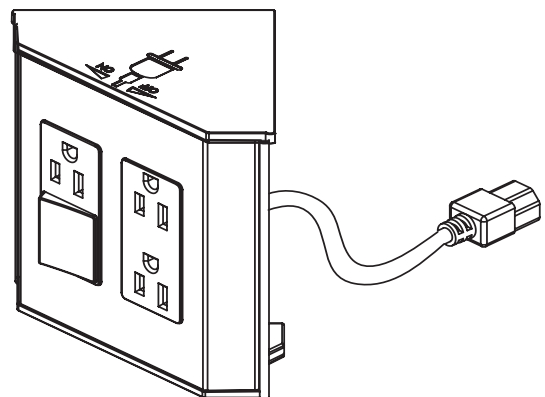
Use the #10 CB-SS676 screws and washer CB-203-1198 provided to attach the side glass panels.



## STEP 4 - INSTALLING ANY OPTIONAL VANITY ACCESSORIES

If you have the optional night light plug the unit in and test.

See separate instructions for VAELECTRIC accessory.



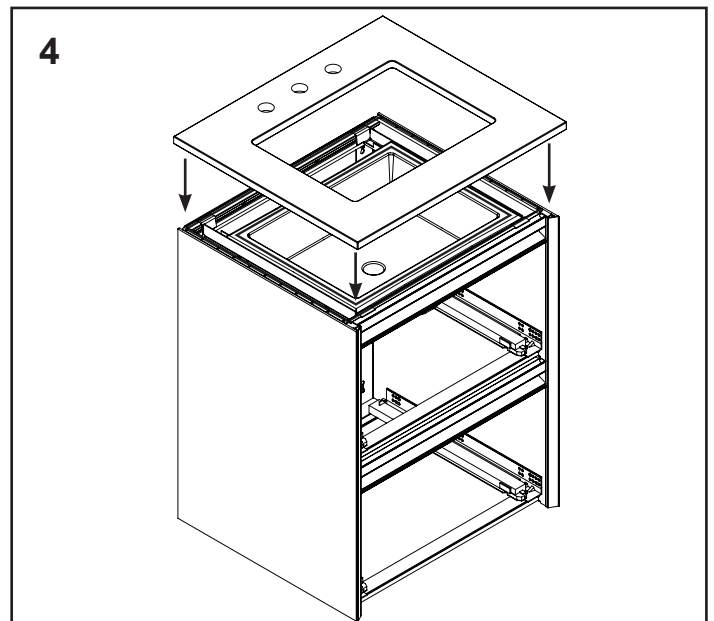
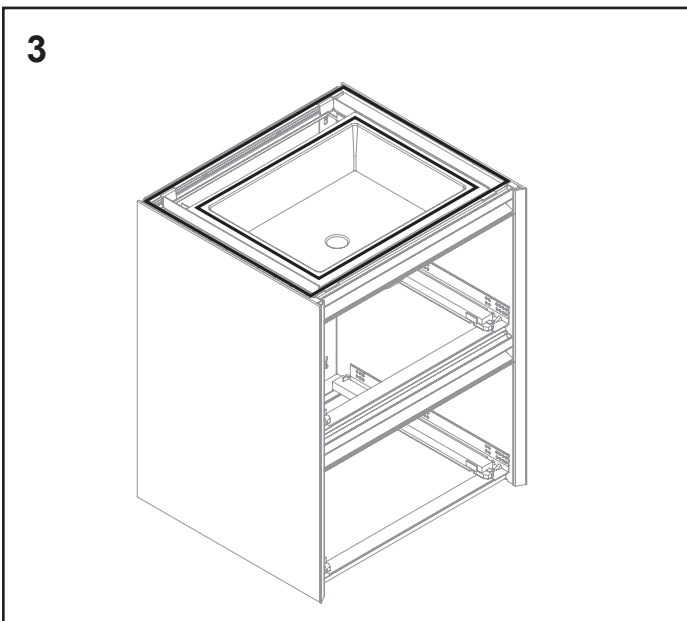
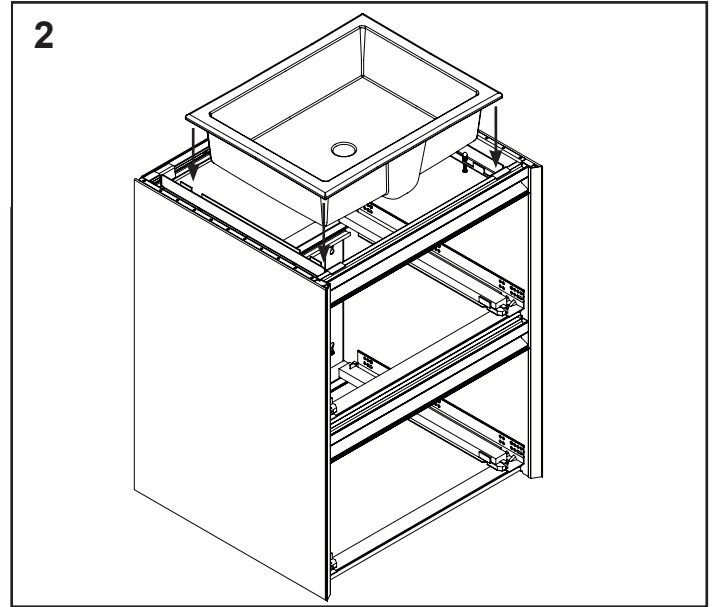
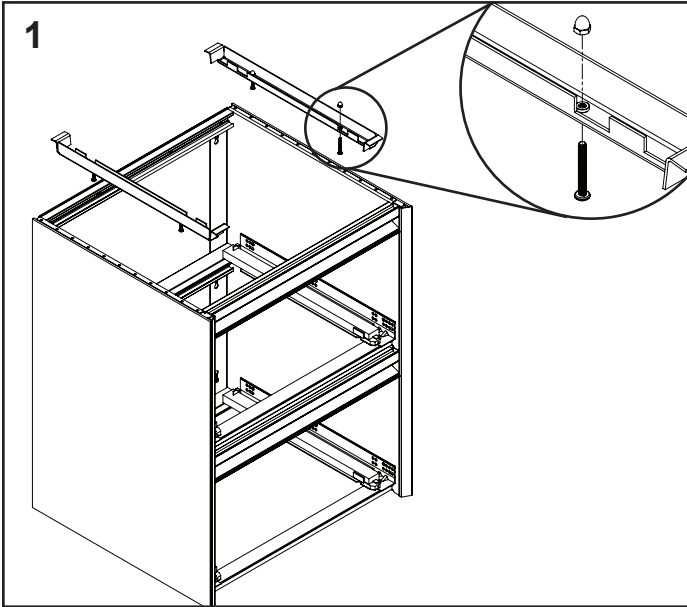
robern

© 2017 Robern, Inc. 701 N. Wilson Ave. Bristol, PA 19007 U.S.A.  
800.877.2376 [www.robern.com](http://www.robern.com)

Installation instructions

## STEP 5 - SINK ASSEMBLY

1. Thread the screws [203-1335] into the brackets [210-1100] and thread the acorn nuts [203-1337] onto the screws. Place the assembled brackets into the vanity opening(s). Brackets should be snug and flush to the top of the vanity.
2. Place the sink(s) into the opening(s) and position the sink(s) at the front of the vanity. Test fit the stone top to be sure the sink(s) is properly located.
3. Apply a 1/4" (6mm) bead of silicone sealant on both vanity and sink flange(s).
4. Carefully place the stone top on the vanity and sink. Note: The back edge of the stone top must be flush against the wall and equal left and right overhang on each side of the vanity.



robern

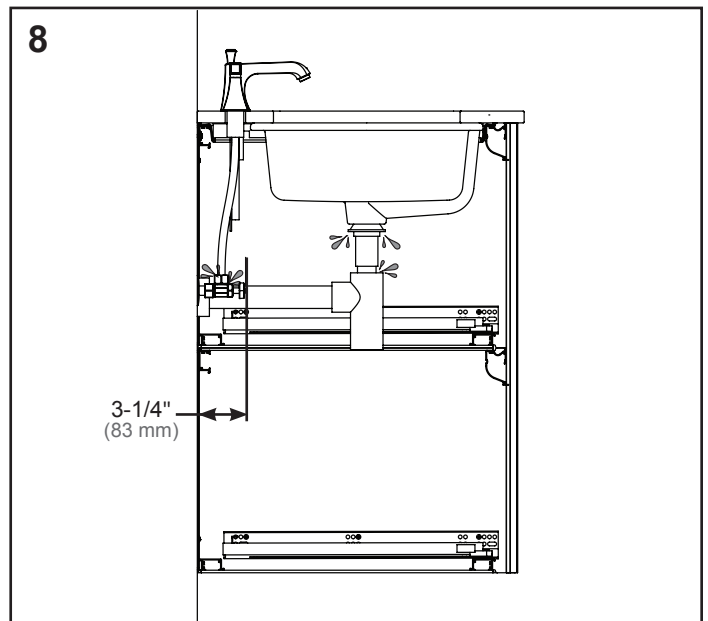
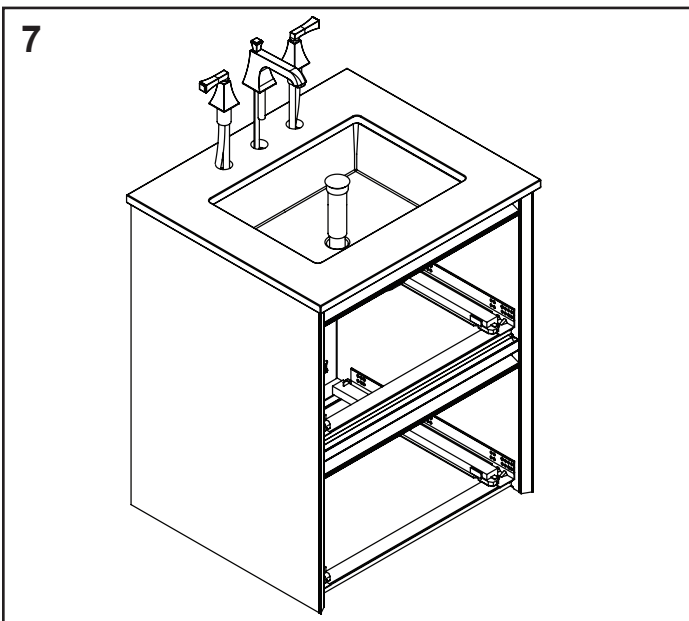
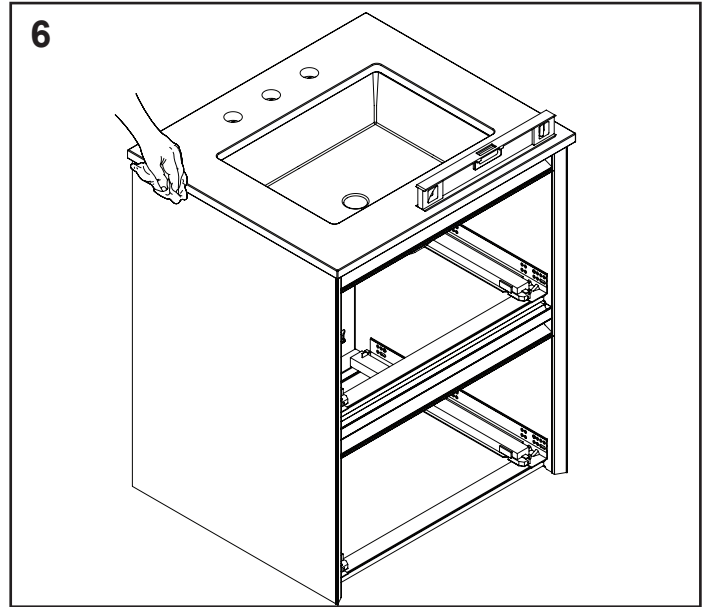
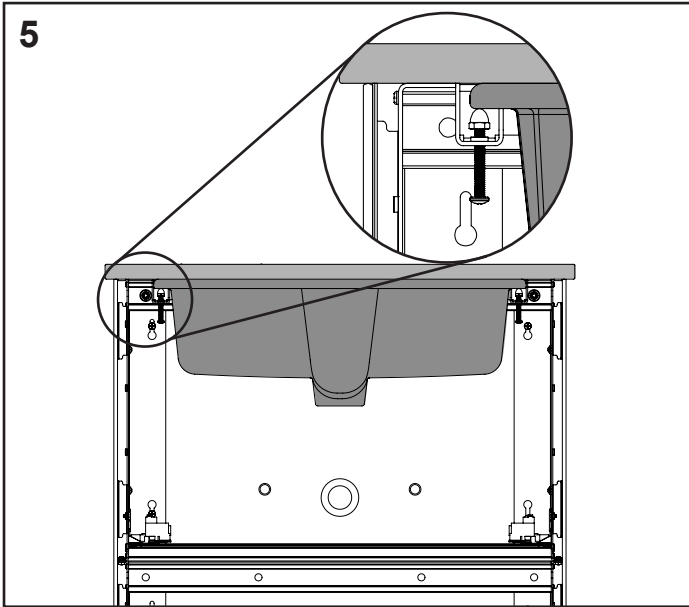
© 2017 Robern, Inc. 701 N. Wilson Ave. Bristol, PA 19007 U.S.A.  
800.877.2376 [www.robern.com](http://www.robern.com)

Installation instructions



## STEP 5 - SINK ASSEMBLY

5. Tighten the screws under the bracket so that the acorn nuts raises the sink and secures it to the stone top. Do not overtighten.
6. Verify that the stone top is level and wipe away excess silicone sealant. Allow the sealant to set according to the sealant manufacturer's instructions.
7. Install the faucet(s) to the stone top and drain(s) to the sink(s). Refer to the faucet and drain manufacturer's instructions.
8. Complete the faucet connections. Run water and check for leaks.



robern

© 2017 Robern, Inc. 701 N. Wilson Ave. Bristol, PA 19007 U.S.A.  
800.877.2376 [www.robern.com](http://www.robern.com)

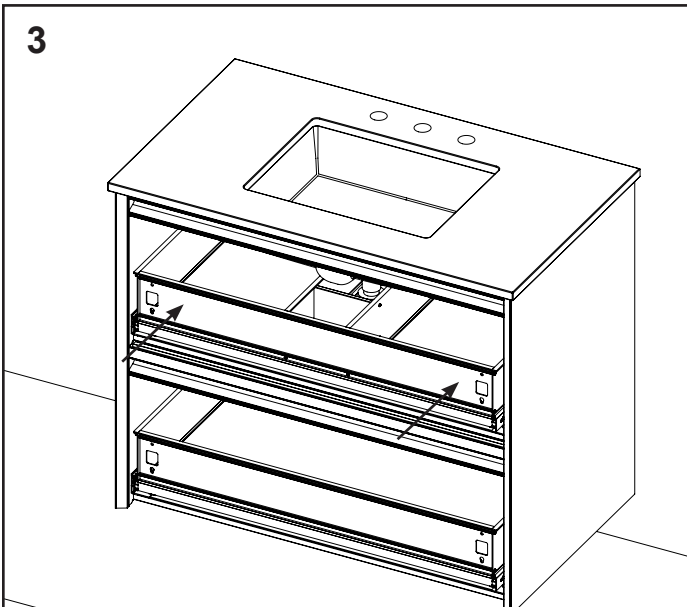
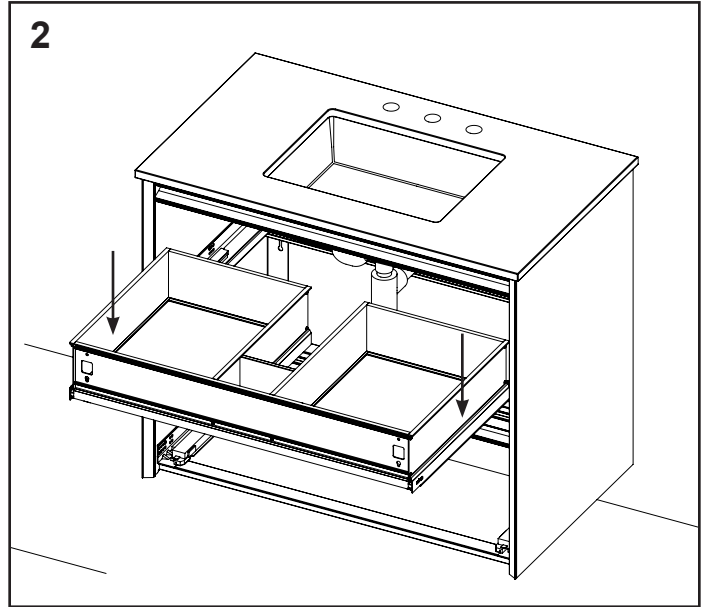
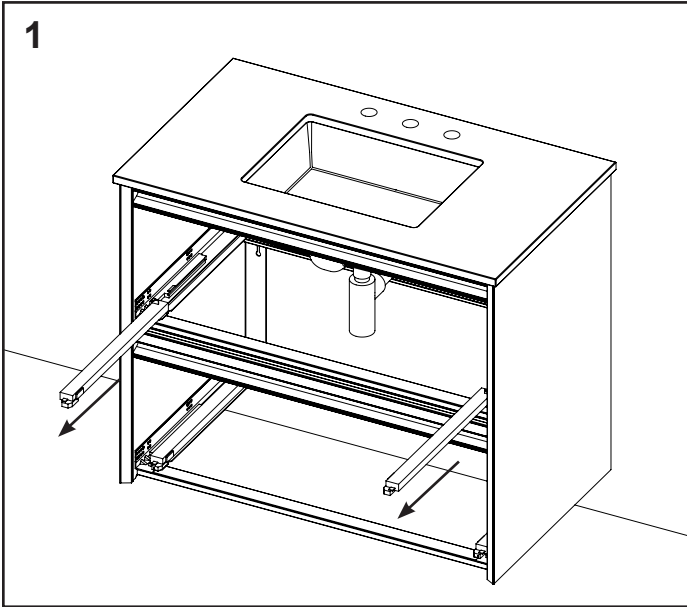
Installation instructions

Part no. 209-1275-rA rev. 06/06/17  
Curated Cartesian H2 - 2 Drawer

## STEP 6 - INSERT THE DRAWER

If you are installing VAELECTRIC, see separate instructions before proceeding further.

1. Fully extend the slide rails out.
2. Place the drawer into the slide rails.
3. To secure drawer, close the drawer until a series of clicks are heard.
4. Repeat steps 1 thru 3 for bottom drawer.



**robern**

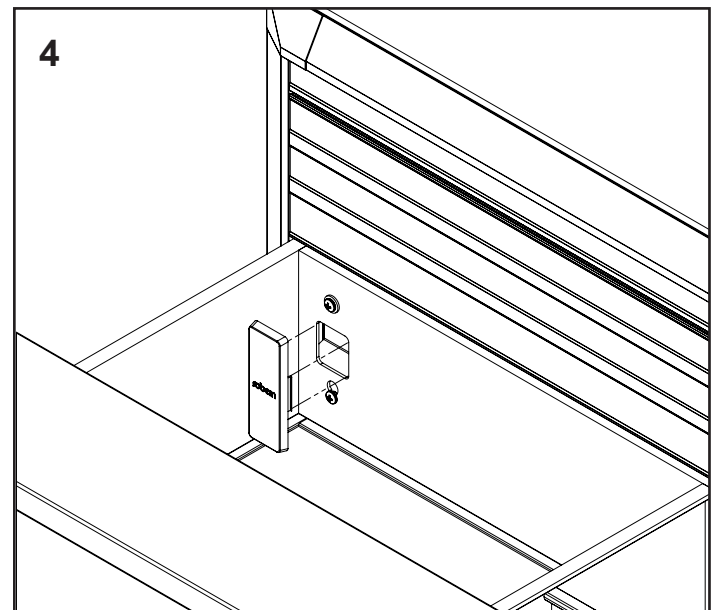
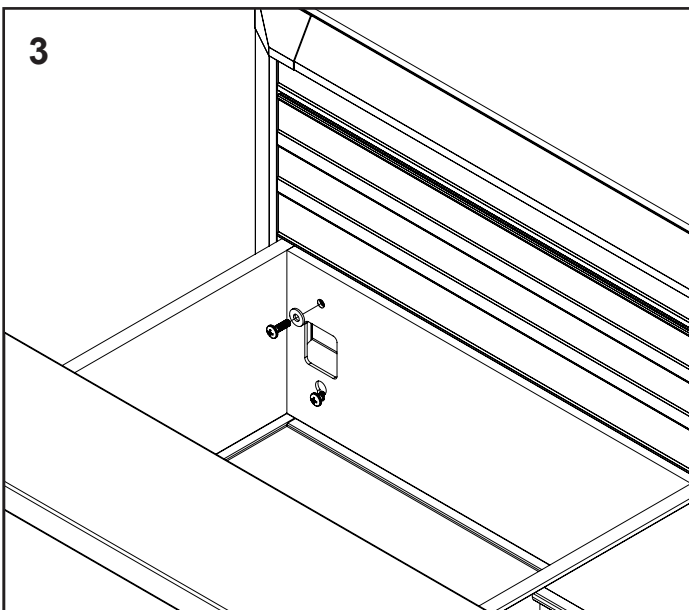
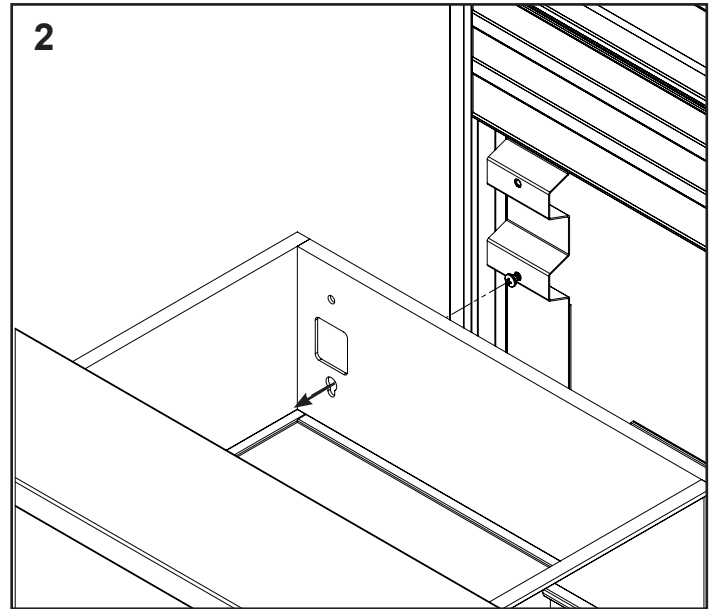
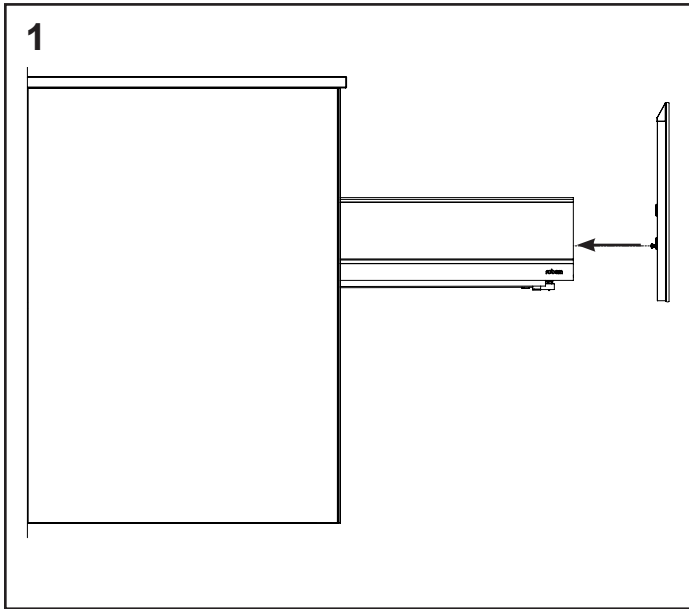
© 2017 Robern, Inc. 701 N. Wilson Ave. Bristol, PA 19007 U.S.A.  
800.877.2376 [www.robern.com](http://www.robern.com)

Installation instructions

Part no. 209-1275-rA rev. 06/06/17  
Curated Cartesian H2 - 2 Drawer

## STEP 7 - ATTACHING GLASS DRAWER FRONT

1. Install 2 #8-32 x 1/2" screws (203-1219) WITHOUT washers on the bottom of each bracket in the drawer front. Do not tread all the way through so that the screw can be hung on the keyhole in the next step, See Figure 1.
2. Hang the drawer front on the two keyholes on each side of the drawer box. See Figure 2.
3. Install the remaining screws WITH washers into the two remaining threads in the drawer front bracket as shown in Figure 3. Tighten all screws after the drawer front is level and even with the side kits.
4. Snap the screw covers over the screws by squeezing gently at "Robern".
5. Repeat steps 1 thru 4 for bottom drawer.



robern

© 2017 Robern, Inc. 701 N. Wilson Ave. Bristol, PA 19007 U.S.A.  
800.877.2376 [www.robern.com](http://www.robern.com)

Installation instructions

Part no. 209-1275-rA rev. 06/06/17  
Curated Cartesian H2 - 2 Drawer

---

## USE AND MAINTENANCE

The vanity sides, drawer front and interior are constructed of glass and aluminum. Use only a damp cloth to clean. Ammonia or vinegar-based cleaners can damage mirrors.

A 50/50 solution of water and isopropyl alcohol is recommended for cleaning the vanity. A mild detergent may be used on the surfaces.

When cleaning, spray the cloth, not the vanity, mirror, or surround surfaces. Do not use abrasive cleansers on any part of the vanity.



---

## WARRANTY

### Limited Warranty One Year Term

Robern warrants to the original purchaser that, it will, at its election repair, replace, or make appropriate adjustment to products made by this company shown to have significant defects in material or workmanship which are reported to Robern in writing within one (1) year from the date of delivery. Robern is not responsible for installation costs. The warranty is void in the event the product is damaged in transit, or if damage or failure is caused by abuse, misuse, abnormal usage, faulty installation, damage in an accident, improper maintenance, or any repairs other than those authorized by Robern. At the expiration of the one year warranty period, Robern shall be under no further obligation under any warranty, expressed or implied, including the implied warranty of merchantability. Robern shall not be liable for any consequential damages arising out of or in connection with the use or performance of its products. Some states do not allow limitations on how long an implied warranty lasts or do not allow the exclusion or limitation of incidental or consequential damages, so the above limitation or exclusion may not apply to you. Any liability against Robern under any implied warranty, including the warranty of merchantability, is expressly limited to the terms of this warranty. Permission to return any merchandise under this warranty must be authorized by Robern and returned prepaid by the purchaser. Claims under this warranty should be sent directly to your dealer.

©2016 Robern, Inc.  
All rights reserved