

### SUGGESTED TOOLS AND MATERIALS



Philips Screwdriver



Level



Drill



Tape Measure



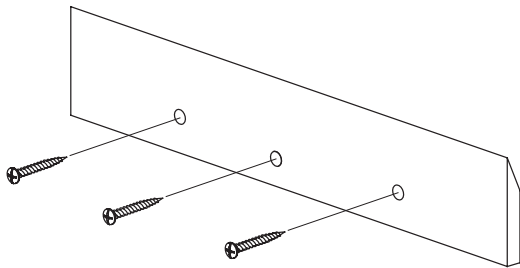
Safety Glasses

### PARTS / HARDWARE INCLUDED

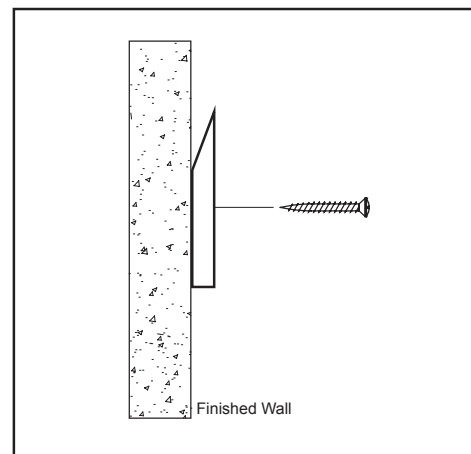


### MIRROR INSTALLATION

1

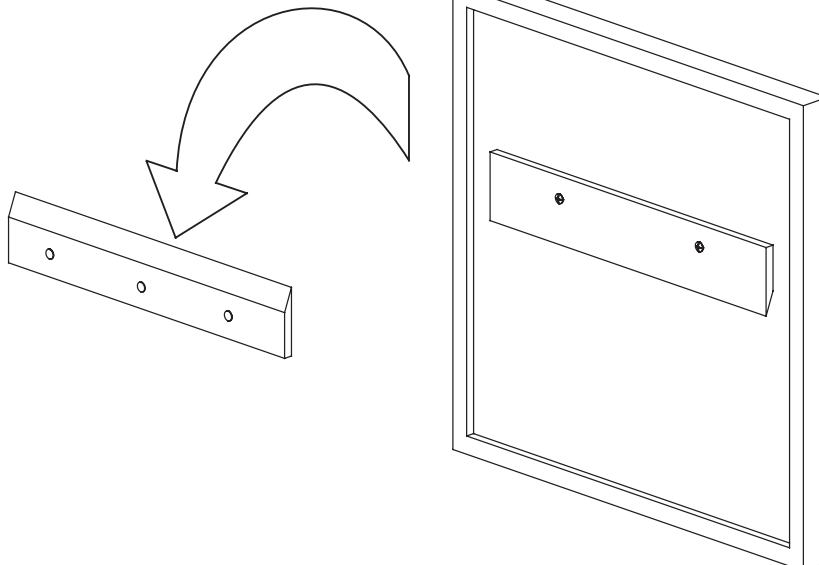


Remove wood cleat and screws from package



Secure the wood cleat on the finished wall with screws

2



Hang mirror on the secured wood cleat