

Avanity

FWS1512CP / FWS1512BN
FWS1512ORB

Features

- Lead free brass body
- Ceramic cartridge
- Metal lever handle
- Quick connect structure
- With brass push up drain
- Waters saving 1.2 gpm max flow rate (4.5 L/min)(ASME A112.18.1M)

Finishes

FWS1512CP	Chrome Finish
FWS1512BN	Brushed Nickel Finish
FWS1512ORB	Oil Rubbed Bronze Finish

Approvals:

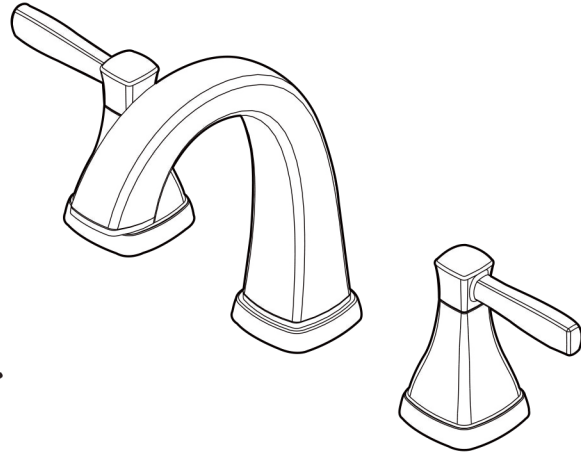
Meets or exceeds the following:

- ASME A112.18.1M
- IAPMO/UPC



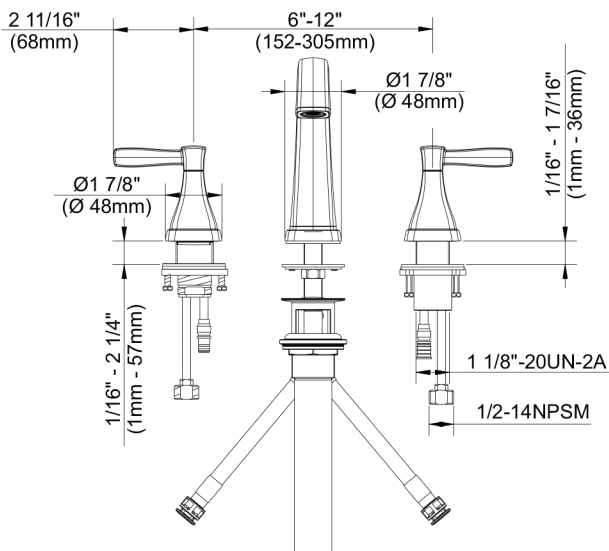
Nominal Dimension

- Handle opened
- 288L x 148D x 156H (mm)
- Handle closed
- 152L x 148D x 156H (mm)



Product Diagrams

Front



Side

