

Avanity

FWS1501CP / FWS1501BN

Features

- Lead free brass body
- Ceramic cartridge
- Metal lever handle
- With brass pop-up drain
- Waters saving 1.2 gpm max flow rate (4.5 L/min)(ASME A112.18.1M)

Finishes

FWS1501CP
FWS1501BN

Chrome Finish
Brushed Nickel Finish

Approvals:

Meets or exceeds the following:

- ASME A112.18.1M
- IAPMO/UPC



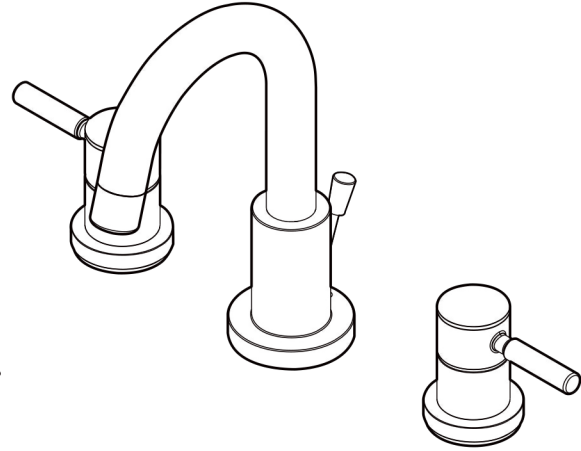
Nominal Dimension

Handle opened

- 342L x 149D x 196H (mm)

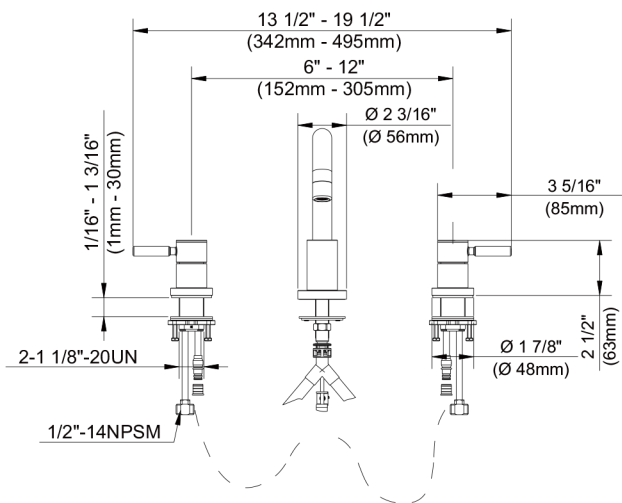
Handle closed

- 152L x 149D x 196H (mm)



Product Diagrams

Front



Side

