

32" zeroEDGE Side Outlet Channel Drain Body

Model #: 85232-

FEATURES:

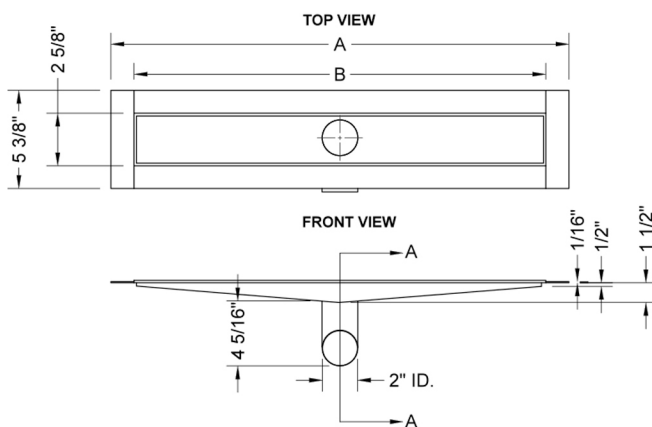
- 304 stainless steel construction
- 2" side outlet
- Nominal Size: 32"
- No sub drain required
- Easy install design
- Available in BSS ONLY, as body is not visible
- JACLO grates sold separately



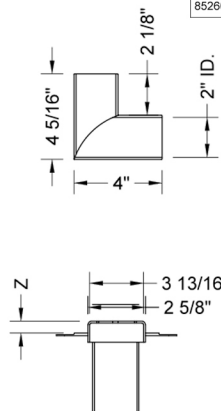
AVAILABLE FINISHES:

Brushed Stainless (BSS)

SPECIFICATION DRAWING:



DETAIL A



ZERO EDGE SIDE OUTLET BODY ONLY				TILE HEIGHT ABOVE FLANGE (Grate Height)	
PART. #	DESCRIPTION	A	B	Z Min.	Z Max.
85224-BSS	ZERO EDGE SIDE OUTLET	25 1/8"	22 7/16"	9/16"	1"
85232-BSS	ZERO EDGE SIDE OUTLET	33 1/8"	30 5/16"	9/16"	1"
85236-BSS	ZERO EDGE SIDE OUTLET	37"	34 5/16"	11/16"	1 1/8"
85242-BSS	ZERO EDGE SIDE OUTLET	44 7/8"	42 3/16"	9/16"	1"
85248-BSS	ZERO EDGE SIDE OUTLET	48 3/4"	46 1/16"	9/16"	1"
85260-BSS	ZERO EDGE SIDE OUTLET	60 5/8"	57 7/8"	5/8"	1 1/16"

COMPLIANCES:

Complies with: ASME A112.18.2-2015/CSA B125.2-15