

1 1/4" P Trap with Round Box Escutcheon

Model #: 251-

FEATURES:

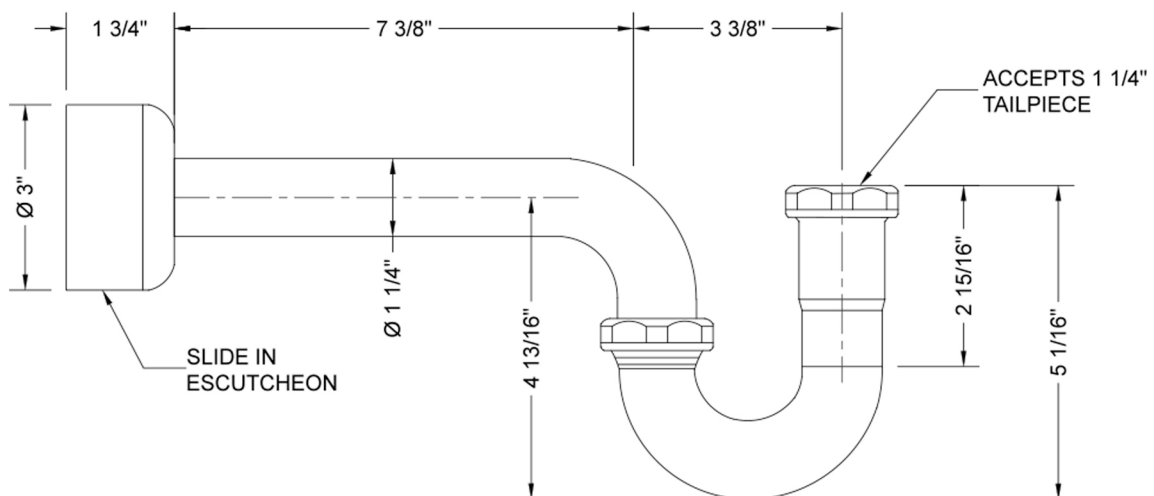
- 1 1/4" 17 gauge "P" trap with round box escutcheon
- Fits 1 1/4" drains, extension tubes & tailpieces
- All solid brass nuts, fully polished & plated



AVAILABLE FINISHES:

| | | |
|-------------------------|------------------------------|-----------------------|
| Polished Chrome (PCH) | Satin Chrome (SC) | Bronze Umber (BU) |
| Satin Nickel (SN) | Pewter (PEW) | Caramel Bronze (CB) |
| Polished Nickel (PN) | Antique Brass (AB) | Antique Copper (ACU) |
| Oil-Rubbed Bronze (ORB) | Polished Brass (PB) | Polished Copper (PCU) |
| Vintage Bronze (VB) | Satin Brass (SB) | Matte Black (MBK) |
| Satin Gold (SG) | Polished Gold (PG) | Black Nickel (BKN) |
| White (WH) | Unlacquered Brass (ULB) | Satin Cooper (SCU) |
| Almond (ALD) | Amber (AMB) | Azure Blue (AZB) |
| Coral (COR) | Mint Green (GRN) | Stone Grey (GRY) |
| Lilac (LAC) | Light Blue (LBL) | Limon (LIM) |
| Plum (PLM) | Pink (PNK) | Red (RED) |
| Graphite (GPH) | Aged Unlacquered Brass (AUB) | |

SPECIFICATION DRAWING:



COMPLIANCES:

Complies with: ASME A112.18.2-2015/CSA B125.2-15