

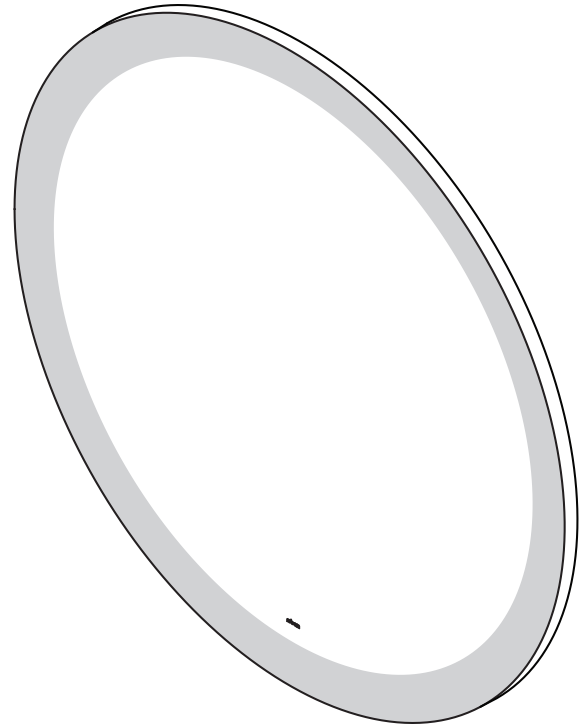
**Features**

- Includes mirror defogging
- Dimmable LED task lighting to 1%
- Compatible with most Triac/Phase-cut dimmers
- Energy efficient LED lighting:

Kelvin	3000**
CRI	90+
Lumens* (Approx)	1120
Lux* (Approx)	330
R9 Value*	50+
Foot-candles* (Approx)	31
Watt Output - LED	55w max
Watt Output - LED with defogger on	85w max

\* Measured at 18" from center of the mirror

\*\* Starting in Fall 2021, Vitality Lighted Mirrors are being enhanced to 3000K CCT from 2700K CCT. Orders will be fulfilled with 3000K based on existing inventory.



**Construction**

- Anodized aluminum back frame
- Quality polished edge mirror
- Power cords installed for easy plugin installation
- Constructed for surface mounting
- Includes installation hardware

**Codes/Standards Applicable**

Vitality Mirror is UL certified to:

- UL 962
- CSA-C22.2, No. 12-82

**Dimensions**

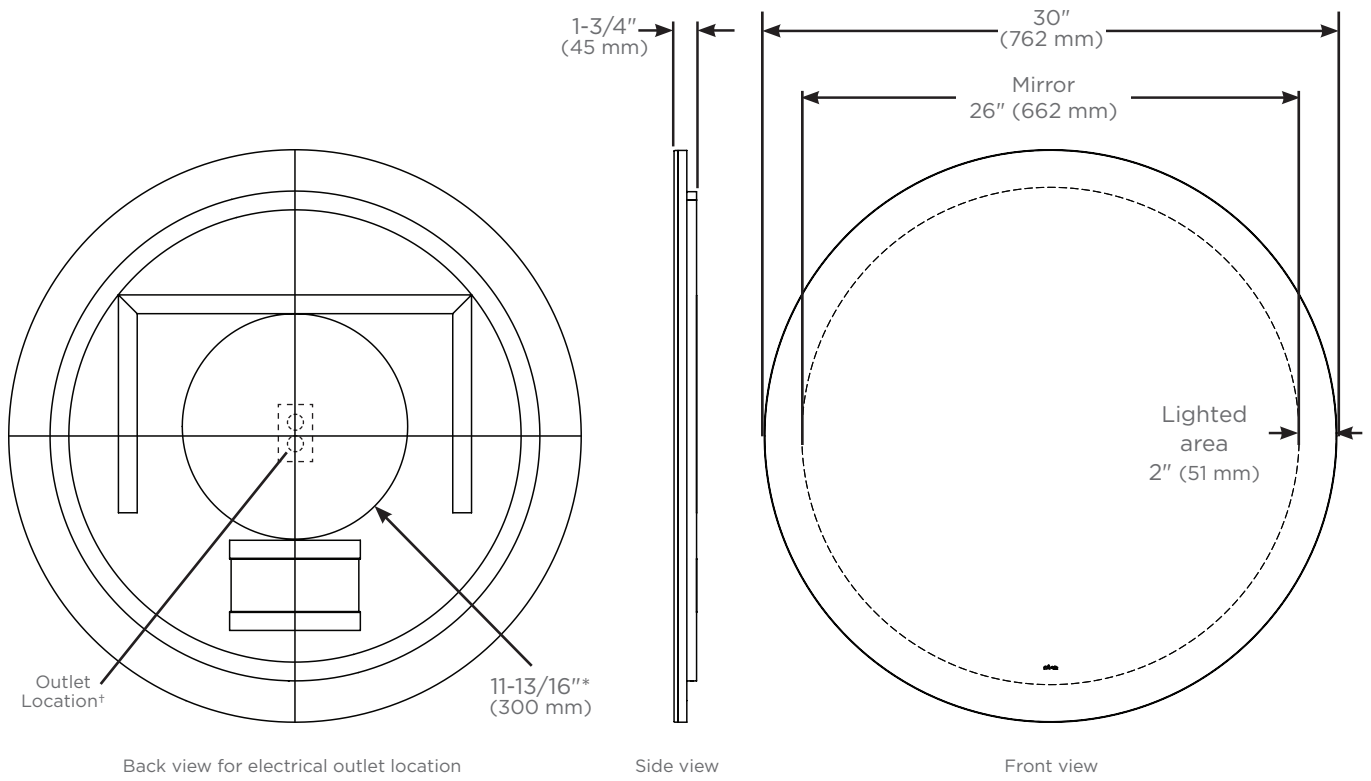
Diameter: 30" (762 mm)  
 Depth: 1-3/4" (45 mm)

**Electrical System**

- 120 Vac 60Hz wall outlet as shown in drawing

**Model Number Key**

<u>Vitality</u>	<u>Mirror</u>	<u>Diameter</u>	<u>Shape</u>	<u>Light Pattern</u>	<u>Edge Type</u>	<u>Options</u>	<u>Color Temp</u>
Y	M	0030	C = Circle	P = Perimeter	FP = Flat, Polished	D = Defogger	3 = 3000K



\* Defogger Size

† See instructions for wiring and location