

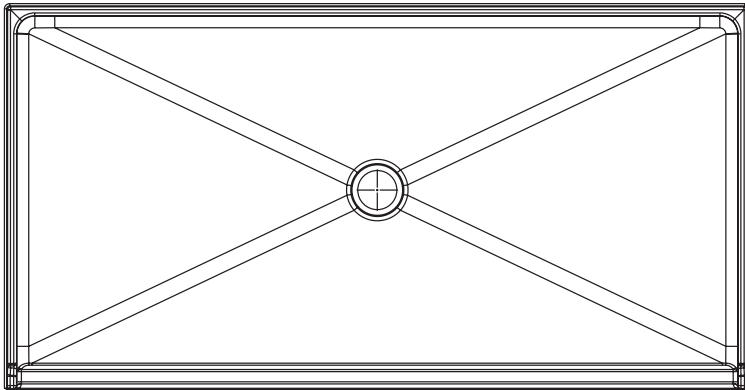
# WF6032APAN

## ACCESSIBLE SHOWER BASE



Interior: 60 x 30 x 5 1/8  
 Exterior: 62 x 32 x 5 1/8

This shower base features innovative installation design, including an engineered leveled base and improved front threshold. A true time and money saver, our pre-leveled base lets you install directly on a **level** floor. And its front threshold is engineered to keep a constant level without the use of brackets during installation.



### FEATURES

- Pre-leveled base
- Premium cast acrylic surface
- 3/4 skirt
- 1/2 beveled threshold
- Barrier free when properly installed
- Integral nailing flange
- Center drain
- 5-year limited warranty

### CODE COMPLIANCE

- ADA
- ICC/ANSI A117.1
- IAPMO Z124-2011
- CAN/CSA-B651-04
- HUD UM73a
- CSA B45-02

\*\*Code compliant when fully equipped and installed according to guidelines.

BASE TYPE	DRAIN	MODEL #	MSLP
<input type="checkbox"/> Shower Base	Center	WF6032APAN	\$1,446

OPTIONS (x = insert desired option code)	ENTER DESIRED OPTION CODE	MSLP
Cast acrylic stock color (COLxx): White (WH)	_____	No charge
Cast acrylic color upgrade (COLxx): Biscuit (BI)	_____	\$35
Cast acrylic premium color upgrade (COLUxx): Black (BK) Sterling Silver (ST)	_____	\$389
Sure-fit brass drain (BDSF)	_____	\$32

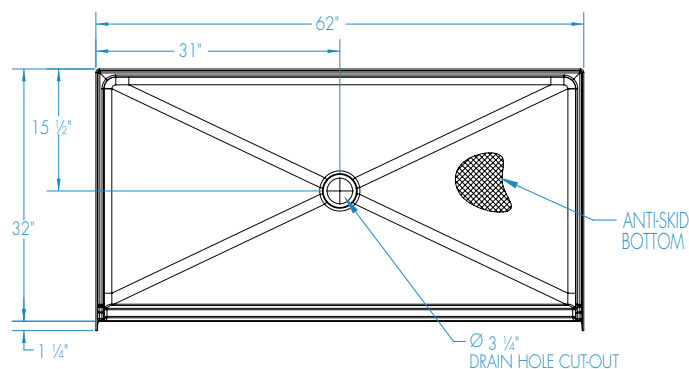
<b>BASE PRICE</b> (insert MSLP of base model selected in upper table)	+ \$ _____
<b>OPTIONS SUB TOTAL</b>	\$ _____
<b>ORDER TOTAL</b>	= \$ _____

Customer Name: \_\_\_\_\_ Date: \_\_\_\_\_  
 Additional Information: \_\_\_\_\_

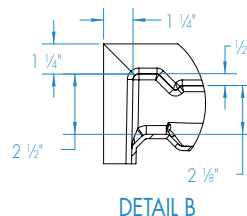
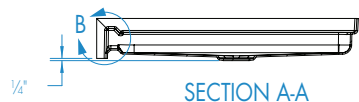
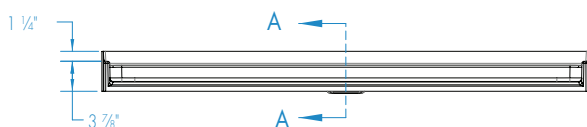
# WF6032APAN

Interior: 60 x 30 x 5 1/8

Exterior: 62 x 32 x 5 1/8  
inches



ADA/ANSI compliant when fully equipped and installed according to guidelines.



## FEATURES

Dimensional Tolerance  $\pm 3/8"$ . Dimensions needed for site preparation should be measured from the unit. Aquatic assumes no responsibility for preparatory work.

Type and Model #	Material	Wall Finish	Pieces	Drain	Dam/Skirt Height	Net Wt. lbs	Pkg. Wt. lbs
Shower pan #WF6032APAN	Cast Acrylic	Smooth	1	Center	3/4" skirt, 1/2" interior threshold	31	40

## DIMENSIONS

Specifications	inches
Width: Overall / Net	62 / 60
Depth: Overall / Net	32 / 30
Height: Overall / Net	5 1/8 / 5 1/8
Skirt Height:	1 1/4
Rough-In (from Back Wall)	15 1/2
Rough-Center (from Side Wall)	31

## FRAMING DIMENSIONS inches

Type	D Depth	W Width	H Height	A	B	C
Alcove	32	62 1/8	-	Box Out	31	15 1/2

