

W6032AB

SHOWER BASES

60 x 32 x 4 inches



Shown with optional brass drain assembly

FEATURES

- Reduced 4-inch threshold
- End drain (LH or RH) ideal for tub replacement
- Integral tile flange (3T)
- Slip-resistant, textured bottom
- Premium cast acrylic surface
- 5-year limited warranty



BASE TYPE	DRAIN	MODEL #	MSLP
<input type="checkbox"/> Left Drain Model	LH	W6032ABL	\$1,008
<input type="checkbox"/> Right Drain Model	RH	W6032ABR	\$1,008

OPTIONS (x = insert desired option code)	ENTER DESIRED OPTION CODE	MSLP
Cast acrylic stock color (COLxx): White (WH)	_____	No charge
Cast acrylic color upgrade (COLxx): Biscuit (BI)	_____	\$35
Cast acrylic premium color upgrade (COLUxx): Black (BK) Sterling Silver (ST)	_____	\$389
Sure-fit brass drain (BDSF)	_____	\$32
Residential delivery* (DELRD)	_____	\$205
Residential delivery with lift gate* (DELLG)	_____	\$454

*For program terms and conditions, see page iii.

BASE PRICE (insert MSLP of base model selected in upper table)	+ \$ _____
OPTIONS SUB TOTAL	\$ _____
ORDER TOTAL	= \$ _____

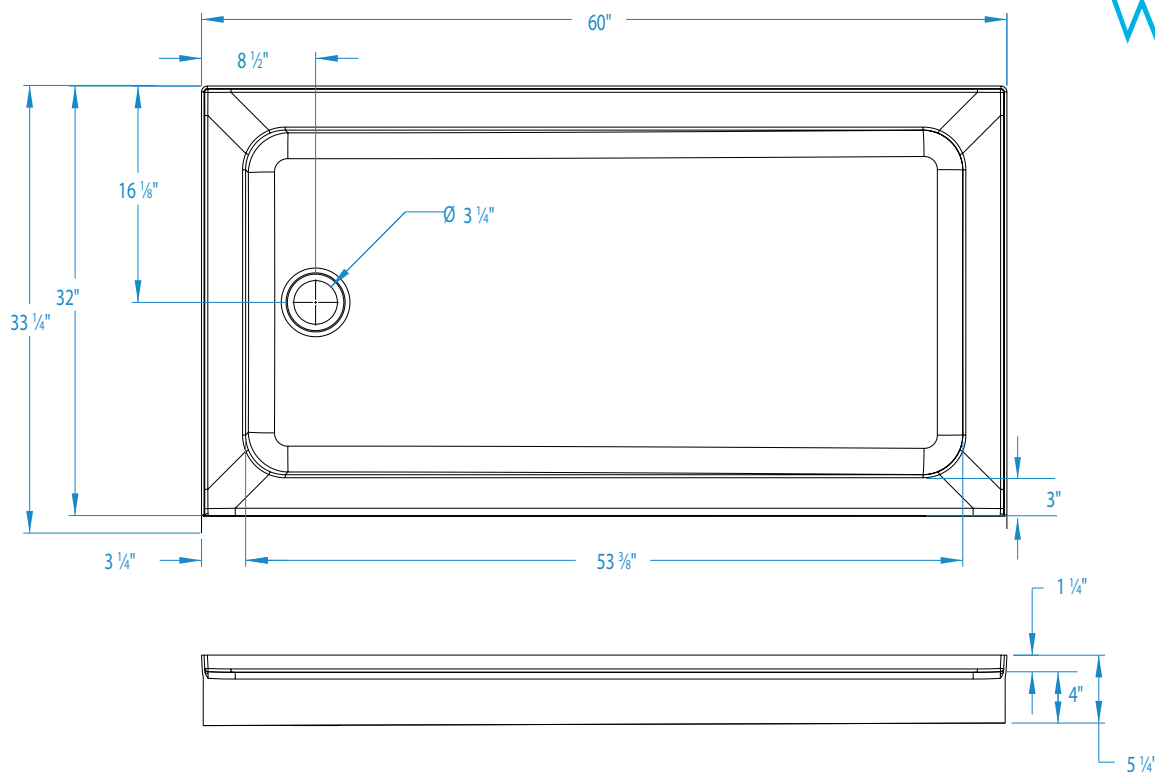
Customer Name: _____ Date: _____

Additional Information:

Rev. 11.10.17

W6032AB

60 x 32 x 4 inches



FEATURES

Dimensional Tolerance $\pm \frac{3}{8}$ ". Dimensions needed for site preparation should be measured from the unit. Aquatic assumes no responsibility for preparatory work.

Model #	Material	Drain	Net Wt.	Pkg. Wt. lbs.
Shower Base #W6032ABL/R	Cast Acrylic	LH or RH	65	135

DIMENSIONS

Specifications	inches
Width: Net	60
Depth: Net	32
Height: Net	4
Enclosure Opening	-
Skirt Height	4
Drain Rough-In (from Back Wall)	16 1/8
Drain Rough-In (from Side Wall)	8 1/2
Drain: Diameter / Clearance	3 1/4 / 0

FRAMING DIMENSIONS inches

Type	D Depth	W Width	H Height	A Box Out	B	C
Alcove	33 1/4	60 1/8	-	6	8 1/2	16 1/8

