

# W4236APANB

## SHOWER BASES

42 x 36 x 6 inches



Shown with optional brass drain assembly.



### FEATURES

- Extended integral tile flange (3T)
- Slip-resistant, textured bottom
- Threshold water barrier
- Patented design features:
  - corner drainage channels
  - step-design finishing guides
  - extended nailing flange
- Premium cast acrylic surface
- 5-year limited warranty

BASE TYPE	DRAIN	MODEL #	MSLP
<input type="checkbox"/> Shower Base	Center	W4236APANB	\$947

OPTIONS (x = insert desired option code)	ENTER DESIRED OPTION CODE	MSLP
Cast acrylic stock color (COLxx): White (WH)	_____	No charge
Cast acrylic color upgrade (COLxx): Biscuit (BI)	_____	\$35
Cast acrylic premium color upgrade (COLUxx): Black (BK) Sterling Silver (ST)	_____	\$389
Sure-fit brass drain (BDSF)	_____	\$32
Residential delivery* (DELRD)	_____	\$205
Residential delivery with lift gate* (DELLG)	_____	\$454

\*For program terms and conditions, see page iii.

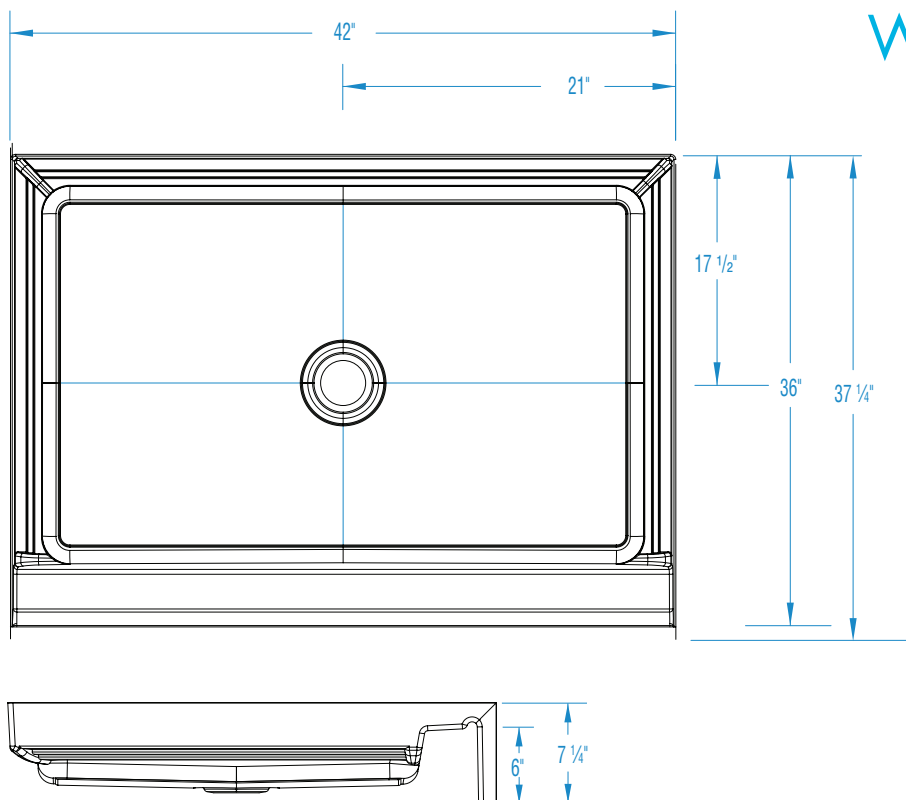
<b>BASE PRICE</b> (insert MSLP of base model selected in upper table)	+ \$ _____
<b>OPTIONS SUB TOTAL</b>	\$ _____
<b>ORDER TOTAL</b>	= \$ _____

---

Customer Name: \_\_\_\_\_ Date: \_\_\_\_\_

Additional Information: \_\_\_\_\_

Rev. 11.10.17



## W4236APANB

42 x 36 x 6 inches



### FEATURES

Dimensional Tolerance  $\pm \frac{3}{8}$ ". Dimensions needed for site preparation should be measured from the unit. Aquatic assumes no responsibility for preparatory work.

Model #	Material	Drain	Net Wt.	Pkg. Wt. lbs.
Shower Base #WV4236APANB	Cast Acrylic	Center	27	97

### DIMENSIONS

Specifications	inches
Width: Net	42
Depth: Net	36
Height: Net	6
Enclosure Opening	-
Skirt Height	6
Drain Rough-In (from Back Wall)	17 1/2
Drain Rough-In (from Side Wall)	21
Drain: Diameter / Clearance	3 1/4 / 3/4

### FRAMING DIMENSIONS inches

Type	D Depth	W Width	H Height	A Box Out	B	C
Alcove	37 1/4	42 1/8	-	6	21	17 1/2

