

WM160

ACRYLIC SHOWERS

60 x 36 x 90 inches



left seat version shown

FEATURES

- Integral dome
- Multiple integral toiletry shelves
- 2 Large molded seats (WM1600)
- Large molded seat and 1 integral footrest (WM160L/R)
- 2 integral footrests (WM1600)
- Slip-resistant floor
- Premium cast acrylic surface
- 5-year limited warranty



AQUATIC
The bath people



WM160

60 x 36 x 90

BASE MODEL	PKG. WT. LBS.	SEAT	DRAIN	MODEL #	MSLP
<input type="checkbox"/> Shower	191	0	Center	WM1600	\$2,495
<input type="checkbox"/> Shower	209	2	Center	WM1602	\$2,660
<input type="checkbox"/> Shower	200	1	Center	WM160L/R	\$2,560



OPTIONS (x = insert desired option code)	ENTER DESIRED OPTION CODE	MSLP
Cast acrylic stock color (COLxx): White (WH)	_____	No charge
Cast acrylic color upgrade (COLxx): Biscuit (BI)	_____	\$35
Cast acrylic premium color upgrade (COLUxx): Black (BK) Sterling Silver (ST)	_____	\$389
Sure-fit brass drain (BDSF)	_____	\$32
Dome Light - ready to install (DLNI)	_____	\$160
Chromatherapy Lights (CLO4)	_____	\$904
Residential delivery* (DELRD)	_____	\$205
Residential delivery with lift gate* (DELLG)	_____	\$454

*For program terms and conditions, see page iii.

SHOWER DOORS OPTIONS: Glass/Finish	
Clear/Brushed Nickel (L0517-54CLBN)	_____ \$910
Clear/Silver (L0517-54CLSV)	_____ \$682
Obscure/Brushed Nickel (L0517-540BBN)	_____ \$783
Obscure/Silver (L0517-540BSV)	_____ \$613

BASE PRICE (insert MSLP of base model selected in upper table)	+ \$ _____
OPTIONS SUB TOTAL	\$ _____
ORDER TOTAL	= \$ _____

Customer Name: _____ Date: _____
 Additional Information: _____



AQUATIC
The bath people

CAST ACRYLIC SHOWERS & TUB-SHOWERS

PRODUCT FEATURES

- Integral dome
- Multiple toiletry shelves
- 2 integral footrests (WM1600)
- 2 molded seats (WM1602)
- 1 integral footrest, 1 molded seat (WM160L/R)

For series features see section page.

ORDERING KEY

In the part number, "xx" means an option code must be inserted.

Cast Acrylic stock color (COLxx) ← **part number**

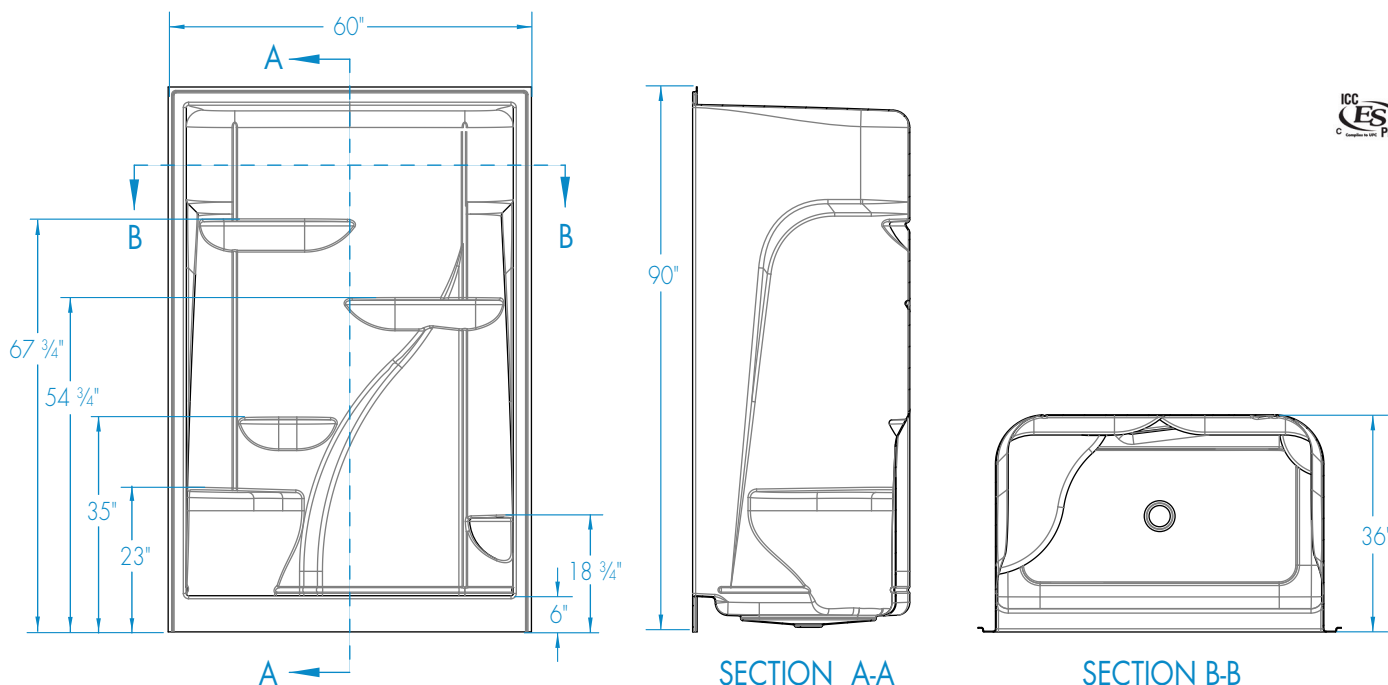
option code → White (WH)

Example: COLxx + WH = COLWH
 Cast Acrylic stock color in White

Manufacturer reserves the right to discontinue models, colors, options and trim finishes without notice.

WM160

60 x 36 x 90 inches



FEATURES lbs Dimensional Tolerance $\pm 3/8"$. Dimensions needed for site preparation should be measured from the unit. Aquatic assumes no responsibility for preparatory work.

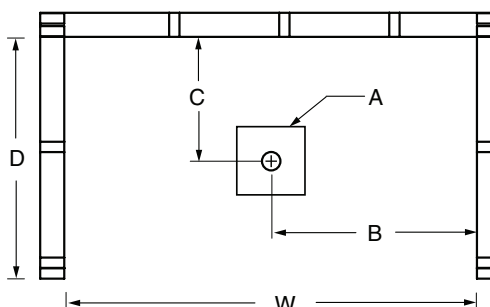
Type and Model #W	Material	Wall Finish	Pieces	Drain	Seats	Lights	Pkg. Wt.
Shower #WM1600	Cast Acrylic	Smooth Wall	1	Center	No seat	Optional	191
Shower #WM1602	Cast Acrylic	Smooth Wall	1	Center	2 seats	Optional	209
Shower #WM160L/R	Cast Acrylic	Smooth Wall	1	Center	1 seat (LH or RH)	Optional	200

DIMENSIONS

Specifications	inches
Width: Overall / Net	60 /
Depth: Overall / Net	36
Height: Overall / Net	90
Enclosure Opening	54 W x 81 H
Skirt Height	6
Drain Rough-In (from Back Wall)	17
Drain Rough-In (from Side Wall)	29
Drain: Diameter / Clearance	3 1/2 / 3/4

FRAMING DIMENSIONS inches

Type	D Depth	W Width	H Height	A Box-Out	B	C
Alcove	36	58	-	6 x 6	29	17



*Refer to installation instructions for further detail. (domed models)