

WE260S

ACRYLIC SHOWERS

60 x 34 x 80 inches



FEATURES

- Modern, minimal bathing well
- Flat front skirt
- Multiple integral toiletry shelves
- Slip-resistant floor
- Premium cast acrylic surface
- 5-year limited warranty



AQUATIC
The bath people



WE260S

60 x 34 x 80

BASE MODEL	PKG. WT. LBS.	SEAT	DRAIN	MODEL #	MSLP
<input type="checkbox"/> Tub-shower	161	0	Left	WE260SL	\$2,363
<input type="checkbox"/> Tub-shower	161	0	Right	WE260SR	\$2,363



OPTIONS (x = insert desired option code)	ENTER DESIRED OPTION CODE	MSLP
Cast acrylic stock color (COLxx): White (WH)	_____	No charge
Cast acrylic color upgrade (COLxx): Biscuit (BI)	_____	\$35
Cast acrylic premium color upgrade (COLUxx): Black (BK) Sterling Silver (ST)	_____	\$389
Cable drive waste & overflow: Chrome (CDCHCD)	_____	\$345
Cable drive waste & overflow, color-matched (CDxxxx): Biscuit (BICD) White (WHCD)	_____	\$390
Cable drive waste & overflow (CDxxxx): Oil Rubbed Bronze (OBCD) Polished Brass (BRCD) Brushed Nickel (SNCD)	_____	\$440
Residential delivery* (DELRD)	_____	\$205
Residential delivery with lift gate* (DELLG)	_____	\$454

*For program terms and conditions, see page iii.

SHOWER DOORS OPTIONS: Glass/Finish	
Clear/Brushed Nickel (L0516-54CLBN)	_____ \$919
Clear/Silver (L0516-54CLSV)	_____ \$654
Obscure/Brushed Nickel (L0516-54OBBN)	_____ \$857
Obscure/Silver (L0516-54OBSV)	_____ \$434

BASE PRICE (insert MSLP of base model selected in upper table)	+ \$ _____
OPTIONS SUB TOTAL	\$ _____
ORDER TOTAL	= \$ _____

Customer Name: _____ Date: _____

Additional Information:



AQUATIC
The bath people

CAST ACRYLIC SHOWERS & TUB-SHOWERS

PRODUCT FEATURES

- Multiple toiletry shelves

For series features see section page.

ORDERING KEY

In the part number, "xx" means an option code must be inserted.

Cast Acrylic stock color (COLxx) ← part number

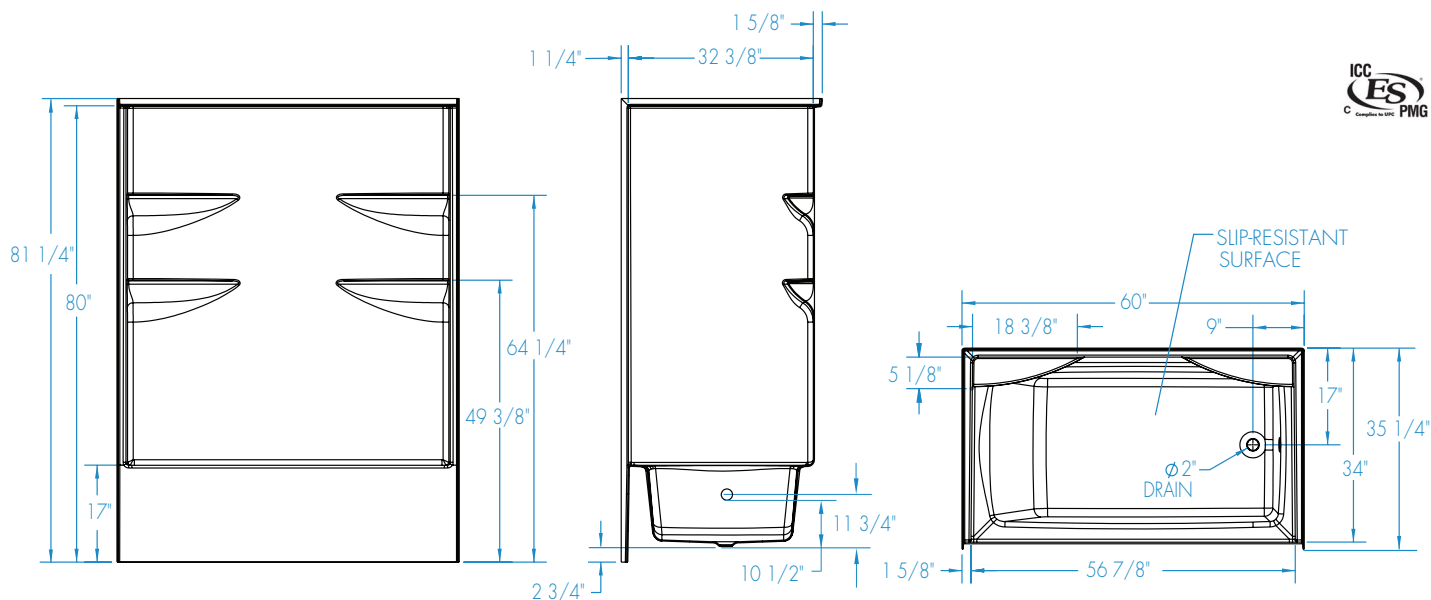
option code → White (WH)

Example: COLxx + WH = COLWH
Cast Acrylic stock color in White

Manufacturer reserves the right to discontinue models, colors, options and trim finishes without notice.

WE260S

60 x 34 x 80 inches



FEATURES lbs Dimensional Tolerance $\pm 3/8"$. Dimensions needed for site preparation should be measured from the unit. Aquatic assumes no responsibility for preparatory work.

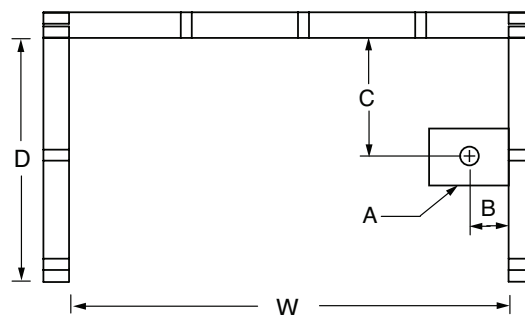
Type and Model #	Material	Wall Finish	Pieces	Drain	Seats	Lights	Pkg. Wt.
Tub-Shower #WE260SL/R	Cast Acrylic	Smooth Wall	1	LH or RH	-	-	161

DIMENSIONS

Specifications	inches
Width: Overall / Net	60 /
Depth: Overall / Net	35 1/4 / 34
Height: Overall / Net	80 / 81 1/4
Enclosure Opening	56 7/8
Skirt Height	17
Drain Rough-In (from Back Wall)	17 7/8
Drain Rough-In (from Side Wall)	9
Drain: Diameter / Clearance	2 / 2 3/4

FRAMING DIMENSIONS inches

Type	D Depth	W Width	H Height	A Box/Out	B	C
Alcove	35 1/4	60 1/8	-	6 x 12	2 3/4 *	17



*To center of stub-up

SUMP DATA

Top of Drain to Bottom of Overflow	Capacity to Overflow gal (ltr)	Min. Operating Capacity gal (ltr)	WIDTH @ centerline		DEPTH @ centerline	
			Top	Bottom	Top	Bottom
9 5/8	43	-	52 7/8	42 1/8	26 5/8	24 1/4