

WE160

ACRYLIC SHOWERS

60 x 36 x 78 inches



FEATURES

- Multiple integral toiletry shelves
- Large molded seat and 1 integral footrest (WE148L/R)
- 2 integral footrests (WE1480)
- Slip-resistant floor
- Premium cast acrylic surface
- 5-year limited warranty



AQUATIC
The bath people



WE160

60 x 36 x 78

BASE MODEL	PKG. WT. LBS.	SEAT	DRAIN	MODEL #	MSLP
<input type="checkbox"/> Shower	163	0	Center	WE1600	\$2,405
<input type="checkbox"/> Shower	170	2	Center	WE1602	\$2,555
<input type="checkbox"/> Shower	179	1	Center	WE160L/R	\$2,461



CAST ACRYLIC SHOWERS & TUB-SHOWERS

PRODUCT FEATURES

- Multiple toiletry shelves
- 2 integral footrests (WE1600)
- 2 molded seats (WE1602)
- 1 integral footrest, 1 molded seat (WE160L/R)

For series features see section page.

OPTIONS (x = insert desired option code)	ENTER DESIRED OPTION CODE	MSLP
Cast acrylic stock color (COLxx): White (WH)	_____	No charge
Cast acrylic color upgrade (COLxx): Biscuit (BI)	_____	\$35
Cast acrylic premium color upgrade (COLUxx): Black (BK) Sterling Silver (ST)	_____	\$389
Sure-fit brass drain (BDSF)	_____	\$32
Residential delivery* (DELRD)	_____	\$205
Residential delivery with lift gate* (DELLG)	_____	\$454

*For program terms and conditions, see page iii.

SHOWER DOORS OPTIONS: Glass/Finish		
Clear/Brushed Nickel (L0517-56CLBN)	_____	\$910
Clear/Silver (L0517-56CLSV)	_____	\$682
Obscure/Brushed Nickel (L0517-56OBBN)	_____	\$842
Obscure/Silver (L0517-56OBBSV)	_____	\$613

BASE PRICE (insert MSLP of base model selected in upper table)	+ \$ _____
OPTIONS SUB TOTAL	\$ _____
ORDER TOTAL	= \$ _____

ORDERING KEY

In the part number, "xx" means an option code must be inserted.

Cast Acrylic stock color (COLxx) ← part number

option code → White (WH)

Example: COLxx + WH = COLWH
Cast Acrylic stock color in White

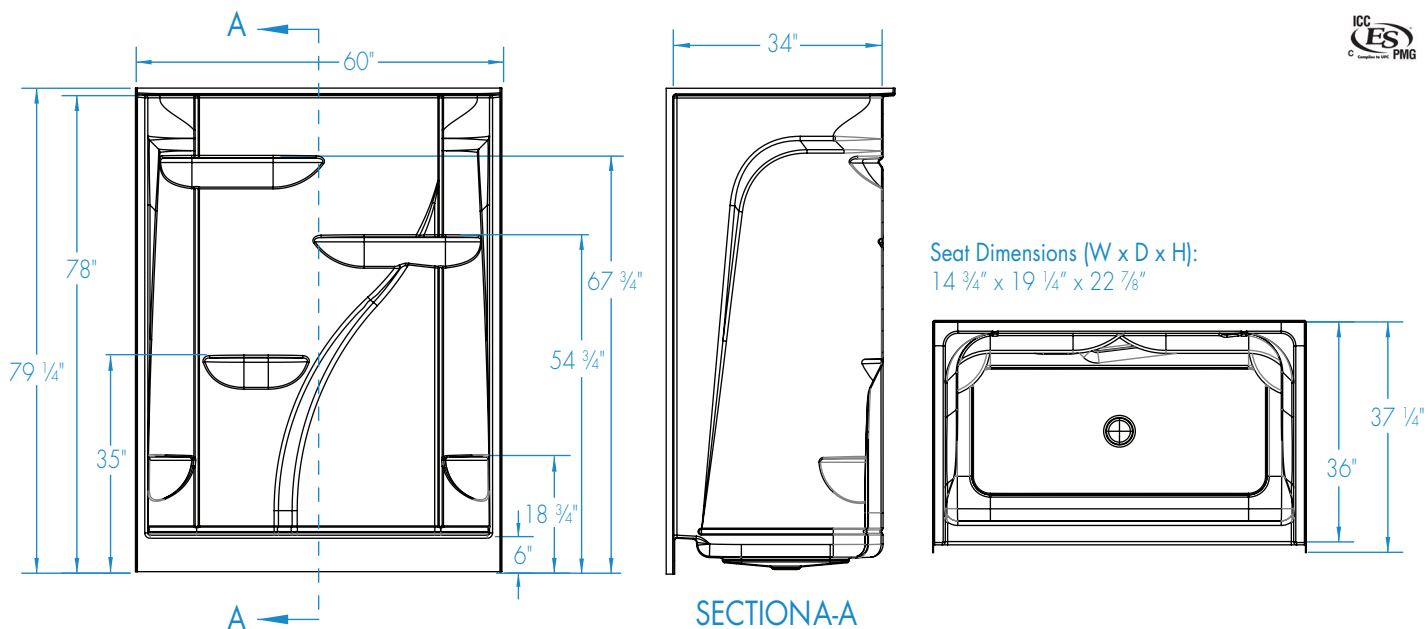
Manufacturer reserves the right to discontinue models, colors, options and trim finishes without notice.

Customer Name: _____ Date: _____

Additional Information:

WE160

60 x 36 x 78 inches



FEATURES lbs Dimensional Tolerance $\pm 3/8"$. Dimensions needed for site preparation should be measured from the unit. Aquatic assumes no responsibility for preparatory work.

Type and Model #W	Material	Wall Finish	Pieces	Drain	Seats	Lights	Pkg. Wt.
Shower #WE1600	Cast Acrylic	Smooth Wall	1	Center	No seat	–	163
Shower #WE1602	Cast Acrylic	Smooth Wall	1	Center	2 seats	–	179
Shower #WE160L/R	Cast Acrylic	Smooth Wall	1	Center	1 seat (LH or RH)	–	170

DIMENSIONS

Specifications	inches
Width: Overall / Net	60
Depth: Overall / Net	37 1/4 / 36
Height: Overall / Net	79 1/4 / 78
Enclosure Opening	56
Skirt Height	6
Drain Rough-In (from Back Wall)	17 3/4
Drain Rough-In (from Side Wall)	30
Drain: Diameter / Clearance	3 1/4 / 3/4

FRAMING DIMENSIONS inches

Type	D Depth	W Width	H Height	A Box-Out	B	C
Alcove	37 1/4	60 1/8	–	6 x 6	30	17 3/4

