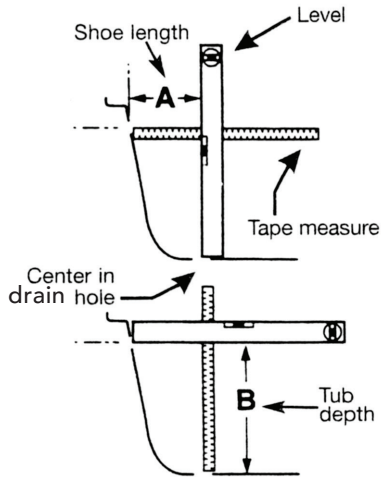


# INSTALLATION INSTRUCTIONS

**1½" Schedule 40 PVC Cable Drains**  
 Part #'s: 370-LT, 372-LT, 374-LT, 376-LT  
**TRIM SOLD SEPARATELY**

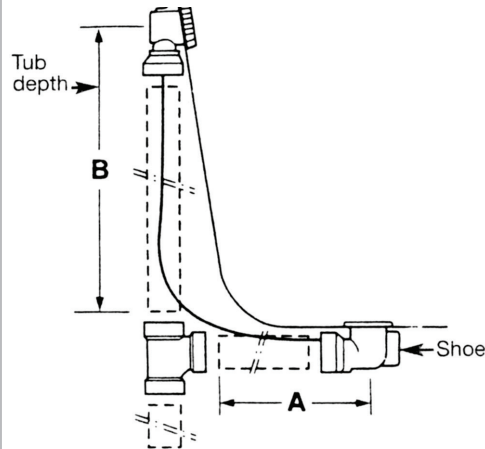


**1**



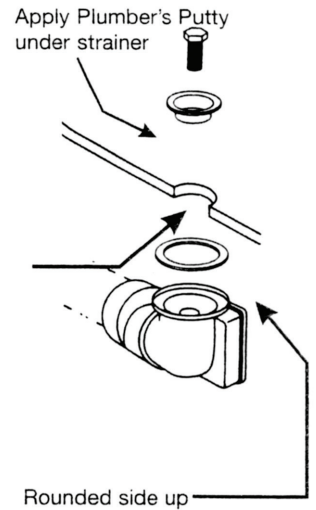
A > Measure distance from center of drain hole to center of overflow hole.  
 B > Measure height from center of drain hole to center of overflow hole.

**2**



Install using PVC 1½" Schedule 40 DWV pipe in compliance with ASTM D 2665-89a **ONLY**.

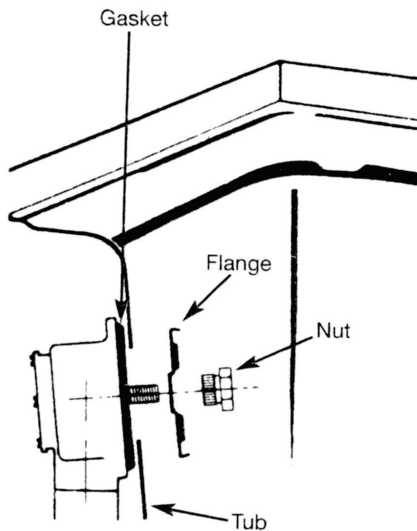
**3**



**NOTE:** Top of tub **MUST** be ground parallel. Ensure that sealing surface on tub bottom is smooth, flat and clean

Mount Drain to tub with supplied drain screw.

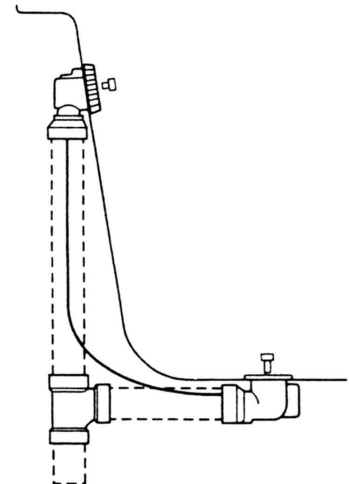
**4**



**NOTE:** Hand tighten until all connections are made.

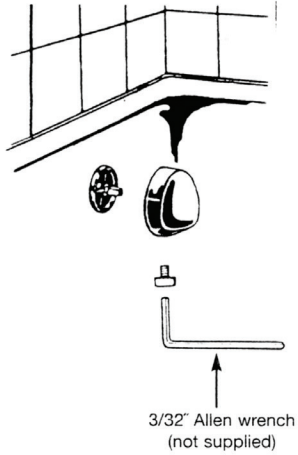
Mount overflow to tub.

**5**



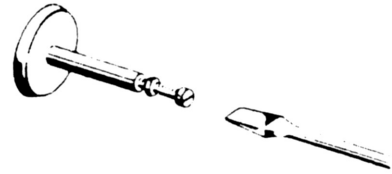
For solvent connection use PVC Cement in compliance with ASTM D 2564-88 **ONLY**.

## 6 Solid Brass Handles

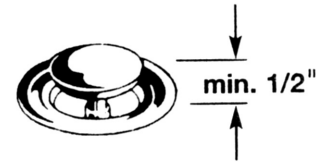


Tighten screw via the access hole in handle.

## 7



**NOTE:** Hex nut to be flush against bottom of shaft.

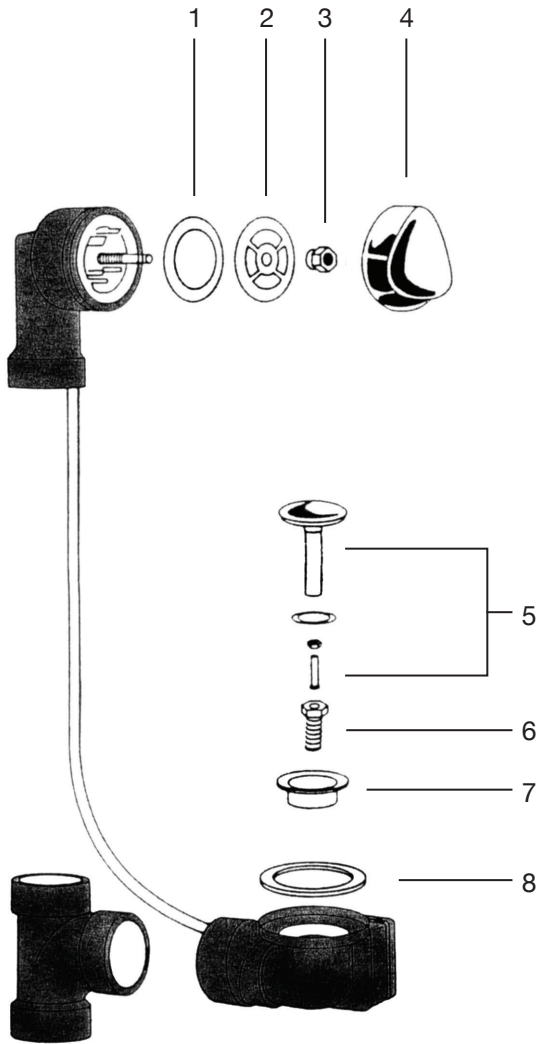


Set plunger to recommended min. 1/2" opening, adjust as necessary.

To operate drain, simply turn handle 1/8 turn (clockwise opens, counter-clockwise closes).

# Jaclo 1½" Tubular Bath Waste and Overflow Replacement Parts

Parts for 1 1/2" Schedule 40 ABS



Number	Part Number	Description
1	521-WASHER	Gasket
2	521-P	Flange
3	521-NUT	Nut
4	521-H 321-H	Turn Handle, Solid Brass
5	521-C	Plunger, Solid Brass
6	521-NUT	Drain Screw
7	521-S	Strainer
8	521-WASHER	Gasket

## Troubleshooting

Drain leaks around plunger	<ul style="list-style-type: none"><li>• Check plunger O-ring for cuts or nicks</li><li>• Check that strainer flange is level</li><li>• Check plunger screw adjustment</li><li>• Check tub surfaces. Ensure that they are smooth, flat, and clean.</li></ul>
Leaks around strainer flange	<ul style="list-style-type: none"><li>• Check that strainer flange is level &amp; flush with tub surface</li><li>• Check that plumber's putty is applied evenly</li></ul>
Water closes plunger when draining	<ul style="list-style-type: none"><li>• Wrong size drain</li><li>• Cable too long</li><li>• Secure cable to overflow neck. Recommended using cable tie (not provided)</li></ul>

To learn more about JACLO's warranty, please visit [\*\*jaclo.com\*\*](http://jaclo.com)