



ErgoSlideBar

Model # 4001R-SSB, 4001L-SSB, 4001R-SSP,
4001L-SSP, 4001R-ORB, & 4001L-ORB

Specification Sheet

297 Anna St. | Watsonville, CA 95076
831.724.7300
www.PulseShowerSpas.com



TECHNICAL INFORMATION

- Finishes: Stainless Steel Brushed, Stainless Steel Polished, and Oil-Rubbed Bronze
- Fixtures: Stainless Steel Brushed, Stainless Steel Polished, and Oil-Rubbed Bronze
- Connection: 1/2 NPT Brass Nipple

PRODUCT FEATURES

- Made of 304 stainless steel
- 32mm in diameter
- Multi-function handheld with finger-tip flow control allows trickle option
- Handshower holder with ADA compliant sliding lock function
- Ergonomic soft grip for comfort

NOTES

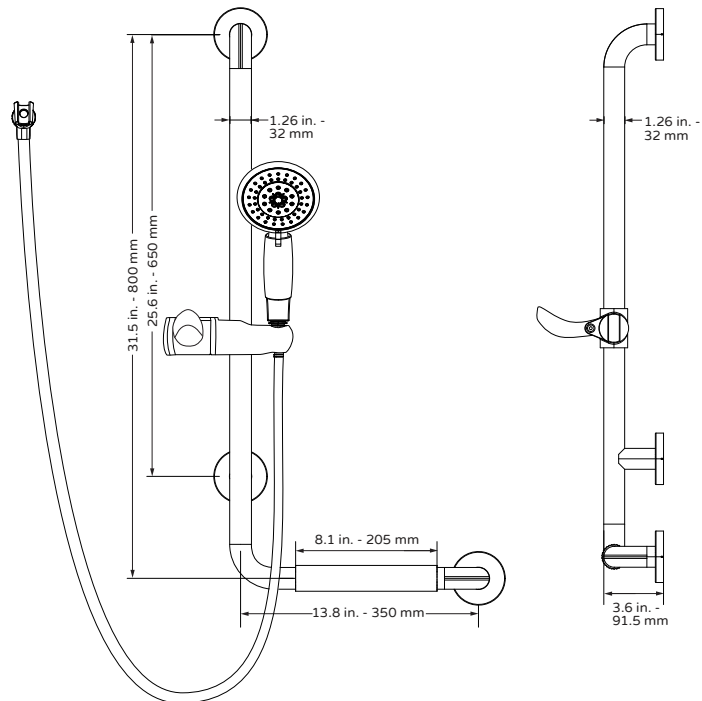
- Measure your actual product for rough-in details
- Install this product according to the installation instructions
- Shower arm not included

CODE/STANDARDS

- ADA Compliant

WARRANTY

- Lifetime Limited Warranty





ErgoSlideBar

4001L-SSP | 4001L-SSB | 4001L-ORB
 4001R-SSP | 4001R-SSB | 4001R-ORB

The ErgoSlideBar is built to exceed ADA standards. This concealed screws, stainless steel grab bar with ergonomic soft grip includes ADA compliant handshower holder and multi-function handshower along with a convenient finger-tip flow control to allow for trickle option.

- Made of 304 stainless steel
- 32mm in diameter
- ADA compliant
- Multi-function handshower with finger-tip flow control to allow trickle option
- Handshower holder with ADA compliant sliding lock function
- Ergonomic soft grip provides comfortable grip placement

