

# Tru-Temp Valve



# PULSE

SHOWERS PAS

## **Tru-Temp Pressure Balance 1/2" Rough-In Valve Model #3001-RIV-PB Owner's Manual**



# Rough-In Valve Model #3001-RIV-PB

## Please Read The Following Instructions **COMPLETELY** Before Beginning!

Our goal is to ensure your installation goes smoothly and safely. Please read these instructions carefully and follow recommendations for plumbing and mounting. **After reading instructions, if you determine you do not have the necessary skills and/or tools, we recommend that a licensed plumbing contractor complete the installation.**

***If you encounter any problems during installation  
CALL TECHNICAL SUPPORT  
TOLL FREE at 888-785-7320  
Before returning your valve to the store***

### **You Will Need The Following Tools**

Soft pencil or felt pen to mark tile

4mm allen wrench

Safety glasses

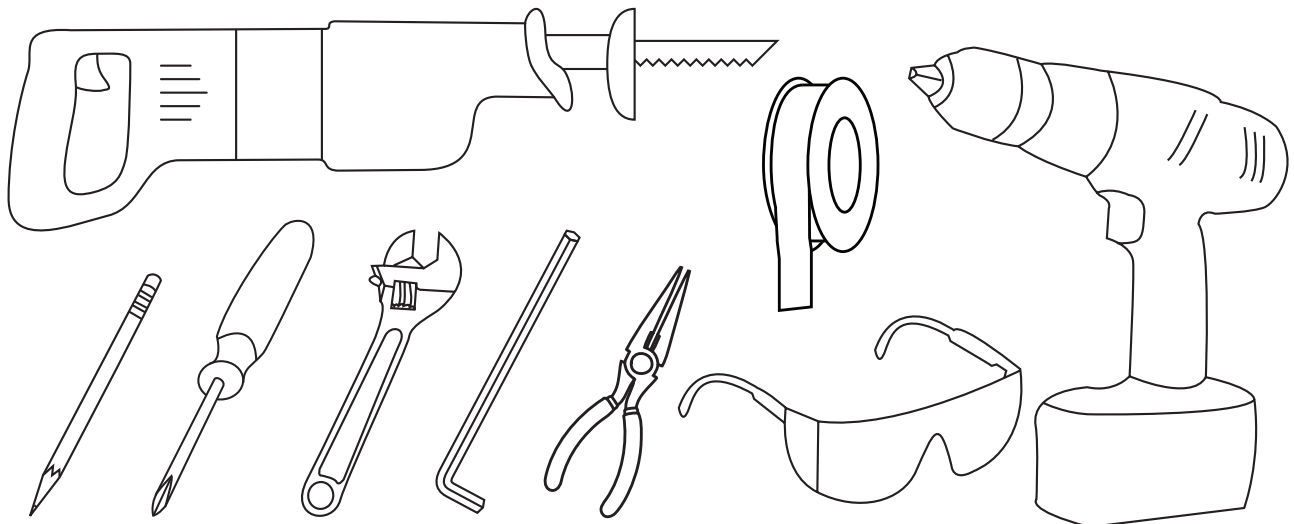
Phillips screwdriver

Reciprocating saw w/metal cutting blade (Sawzall®)

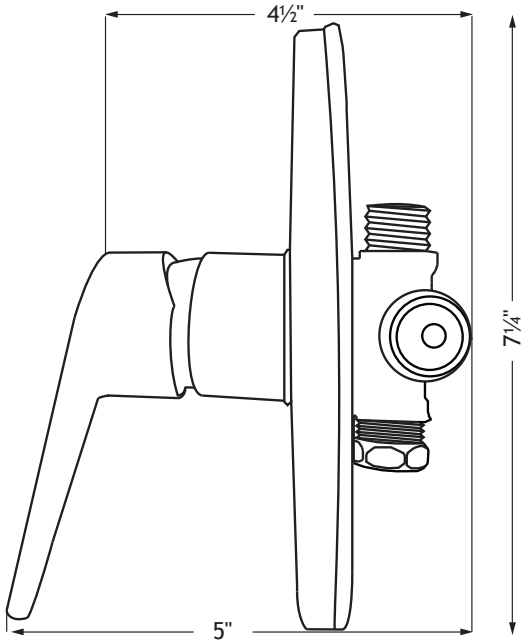
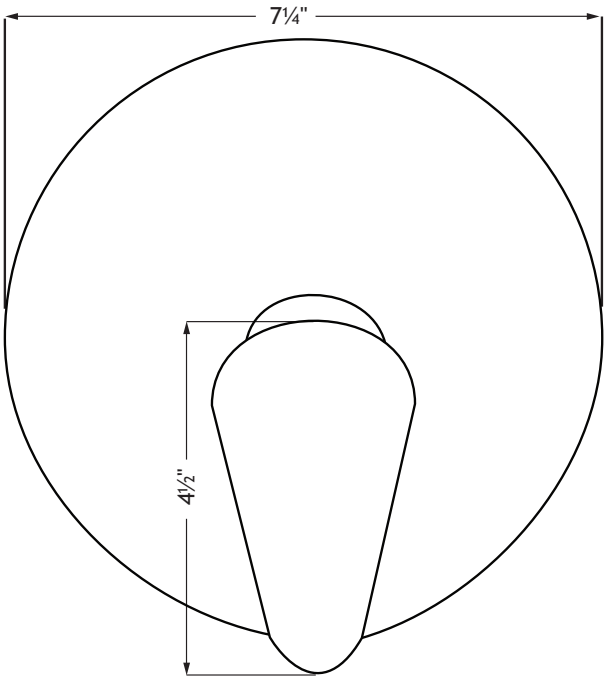
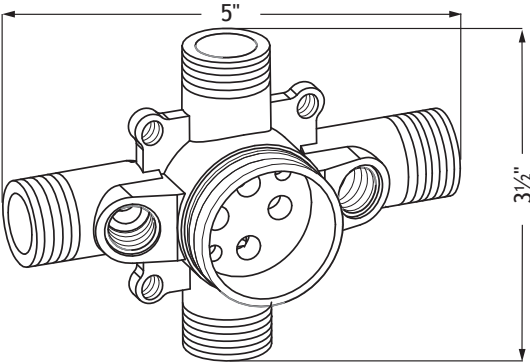
Channel locks or adjustable wrench

Drill (Preferably cordless)

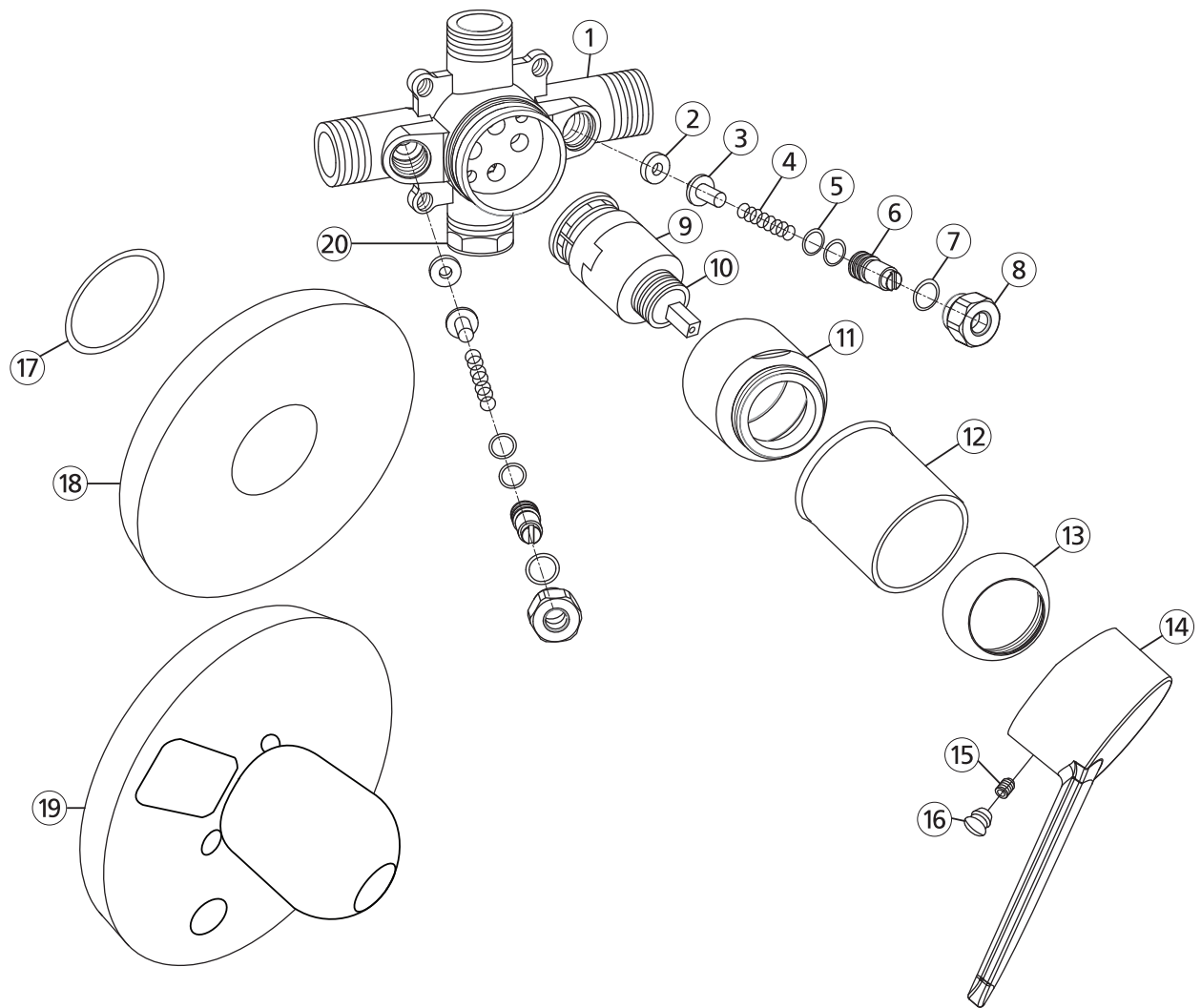
Plumber's Tape



# Product Dimensions



# Parts Legend



1. Valve Body
- 2-8. Integral Stop/Shutoff Assembly
9. Pressure Balanced Cartridge
10. Limit Stop
11. Valve Sleeve
12. Trim Sleeve
13. Trim Nut
14. Valve Handle
15. Set Screw
16. Set Screw Cover
17. Friction Ring
18. Trim Plate
19. Plaster Guard
20. Tub Spout Cap

# Installation

## Valve Installation

1. **TURN OFF WATER SUPPLY TO SHOWER.** Typically there is a gate valve where the water main enters the house. Turning the water valve off at hot water tank does not turn off cold water supply line.
2. Make certain water is completely turned off to both hot & cold supply lines of shower. Turn shower valve on, both hot and cold, to **VERIFY WATER SUPPLY IS OFF.** Open a sink faucet in bathroom in which you are installing valve to relieve any pressure and help adequately drain shower supply lines.
3. Remove handle(s) and trim cover(s) of your existing shower valve, exposing valve body in wall.
4. Locate hot and cold supply lines entering valve. Using a reciprocating saw with sharp metal saw blade and cut existing valve out. You should also cut riser within wall supplying existing shower head. Carefully twist and remove valve.
5. Install valve, making sure "up" outlet is facing up and use screws (not included) to mount to wall. For proper positioning, plaster guard (19) must be flush with finished wall. Connect water supplies to valve (hot water to left side and cold water to right side). Use thread seal compound or plumber's tape on all threaded connections to prevent leaks. Some soldering of joints and fittings may be necessary for copper pipes.
6. Connect shower and spout units to valve. If you have a shower only model, you will need to plug pipe leading to tub spout assembly with the tub spout cap (20). Likewise if you have a tub only model, you will need to plug pipe to shower head assembly. Do not attach shower head to shower arm until after you have flushed the system.
7. Remove plaster guard (19). Place trim plate (18) over valve assembly. Install handle (14) and tighten set screw (15).

## Setting Maximum Water Temperature Preset

**NOTE—** This valve includes a factory maximum water temperature preset known as a limit stop.

**WARNING:** Failure to adjust the limit stop properly may result in serious scalding. This shower may not protect the user from scalding where there is a failure of other temperature controlling devices elsewhere in the system.

1. Loosen set screw (15) with an allen wrench and remove valve handle (14).
2. Remove cartridge trim nut (13) and trim sleeve (12) by hand.
3. For a lower temperature, pull red limit stop out with needle-nose pliers, turn it counter-clockwise and push it back onto cartridge.
4. For a higher temperature, pull red limit stop out with needle-nose pliers, turn it clockwise and push it back onto cartridge.
5. Reinstall cartridge trim sleeve (12), trim nut (13), and valve handle (14). Tighten set screw (15) with an allen wrench.

# Usage

## Tru-Temp Pressure Balance Mixing Valve

This valve is equipped with a cUPC® Tru-Temp pressure balance mixing valve to adjust water flow and temperature. The valve automatically adjusts to changes in water pressure (i.e. someone flushes a toilet), keeping your temperature constant and preventing accidental scalding. To turn on the water simply raise the handle until the desired flow rate is achieved. Rotate to the right to decrease temperature and rotate to the left to increase temperature. Be sure that the handle is in the OFF position when you are done using your ShowerSpa so that pressure does not build up inside the ShowerSpa.

# Care and Maintenance

Always blot dry any water from the surface of your mixing valve. To protect your mixing valve from hard water stains and mineral deposits, use an auto spray wax periodically and wipe down your valve after each use. Allowing water to evaporate on the surface can lead to a buildup of mineral deposits. Cleaning with a damp, non-abrasive sponge and drying with a clean soft cloth should help keep your mixing valve looking beautiful.

### R E M E M B E R

*Never use any abrasives or harsh cleaners!*

*Clean with mild soap and water ONLY!*

*To keep your valve in pristine condition,*

*DRY AFTER EACH USE!*

# Manufacturer's Limited Warranty

PULSE ShowerSpas, Inc. warrants that all PULSE products are free from defect in workmanship and/or materials for a period of three years from the date of purchase. This warranty extends to the original purchaser only and is non-transferable.

This warranty does not cover, and PULSE ShowerSpas will not pay for any conditions, malfunctions or damages resulting from (1) normal wear and tear, improper installation (whether performed by a contractor, a service company or the consumer), improper maintenance, misuse, abuse, negligence, accident or alteration; (2) the use of abrasive, caustic or "no-rinse" cleaning agents; (3) the use of the product in any manner contrary to the product instruction; (4) any condition in the home such as excessive water pressure or corrosion.

Should any ShowerSpa be determined by PULSE ShowerSpas, Inc. to be defective in normal residential use, at the option of PULSE ShowerSpas, Inc., such product shall either be replaced or repaired and returned to the customer free of defects. The consumer shall give notice of any defects to PULSE ShowerSpas, Inc. within thirty days of discovery of such defect.

Proof of purchase (original sales receipt) must be provided to PULSE ShowerSpas, Inc. with all warranty claims.

PULSE ShowerSpas, Inc. is not responsible for any labor charges, removal charges, installation or other consequential costs. In no event shall the liability of PULSE ShowerSpas, Inc. exceed the purchase price of the ShowerSpa.

Some states/provinces do not allow limitations of how long an implied warranty lasts or the exclusion or limitation of such damages, so these limitations and exclusions may not apply to you. This warranty gives the consumer specific legal rights. You may also have other rights that vary by state/province.

Follow manufacturers recommended installation. Use caution with children under ten years of age. Do not use valve as a support device. Do not use harsh chemicals or abrasives when cleaning. Turn water supply off when servicing your valve.



**PULSE**  
SHOWERSPAS

Pulse ShowerSpas, Inc. ~ 297 Anna Street ~ Watsonville, CA 95076 ~ 888.785.7320  
info@pulseshowerspas.com ~ www.pulseshowerspas.com ~ support@pulseshowerspas.com