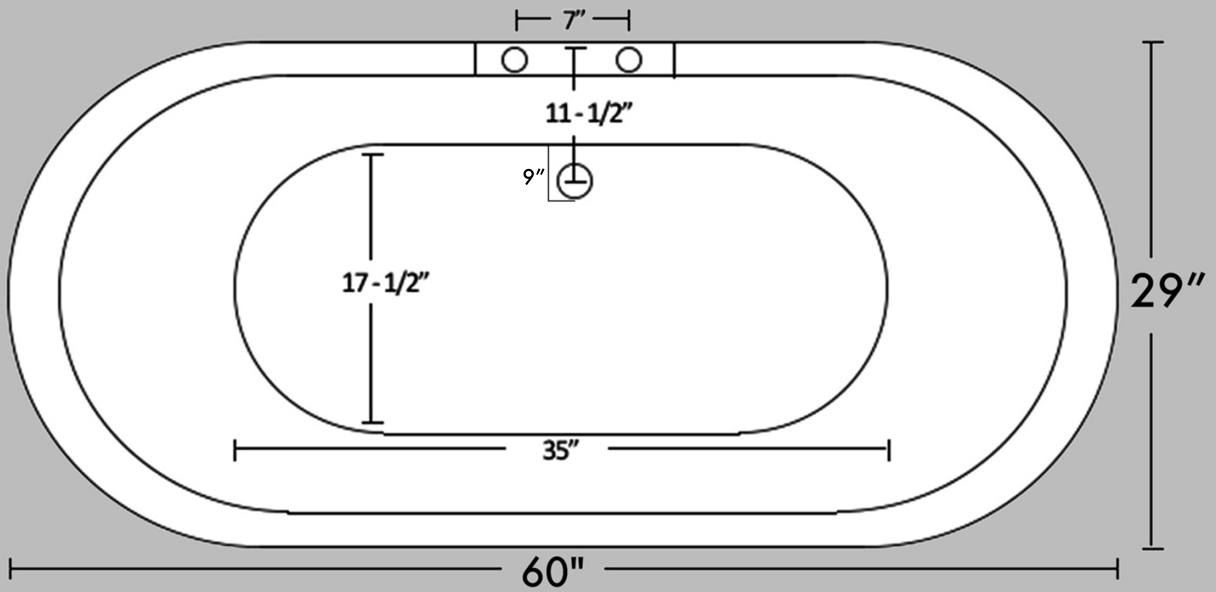
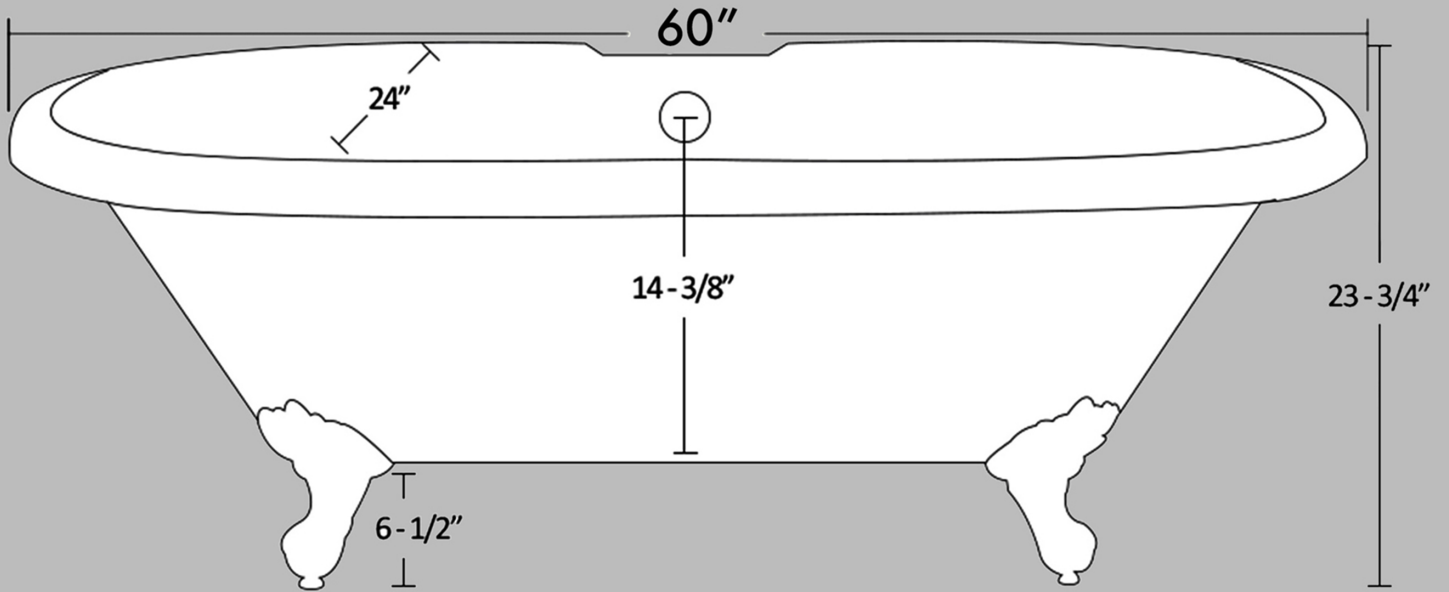


DE60

Tolerance +/- 1/2"



DE60

Tolerance +/- 1/2"

