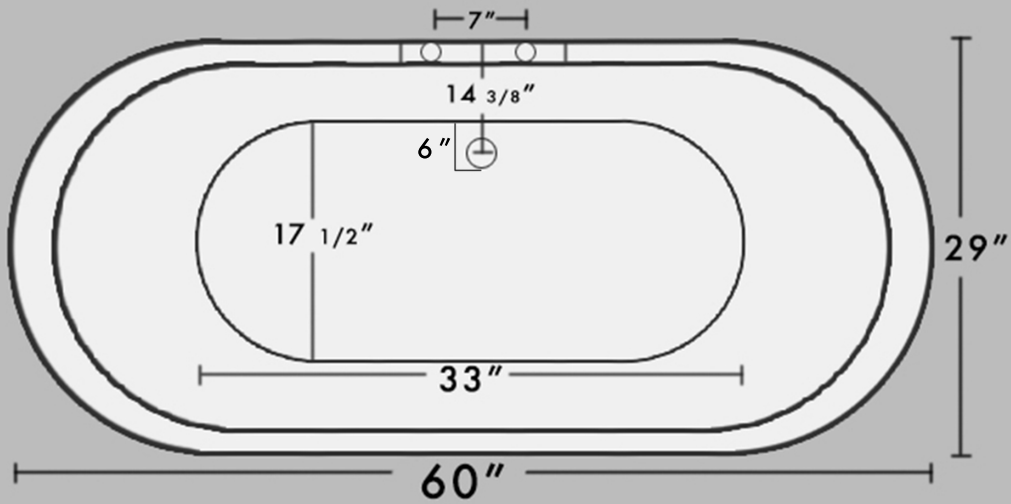
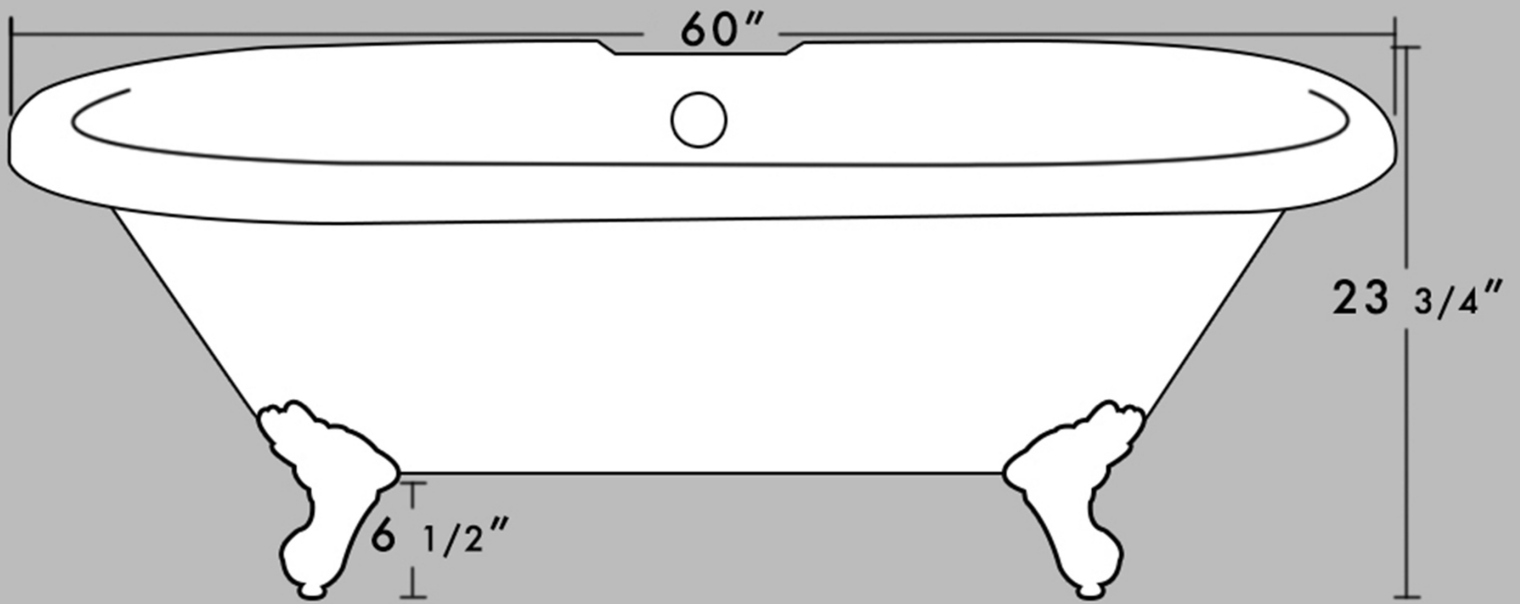


# ADE60

Tolerance +/- 1/2"



# ADE60

Tolerance +/- 1/2"

