



CAMBRIDGE
PLUMBING

1(866)448-TUBS (8827)
CAMBRIDGE PLUMBING
500 WEST BREWINGTON AVE
KIRKSVILLE, MO 63501

CLAWFOOT TUB
DECK MOUNT
GOOSENECK FAUCET

CAMBRIDGE-PLUMBING.COM

INSTRUCTIONS

Before beginning, read the instructions below and follow all local plumbing and building codes.

Unpack and inspect your new faucet for any shipping damages and ensure no pieces are missing. If any damages are discovered, DO NOT INSTALL.

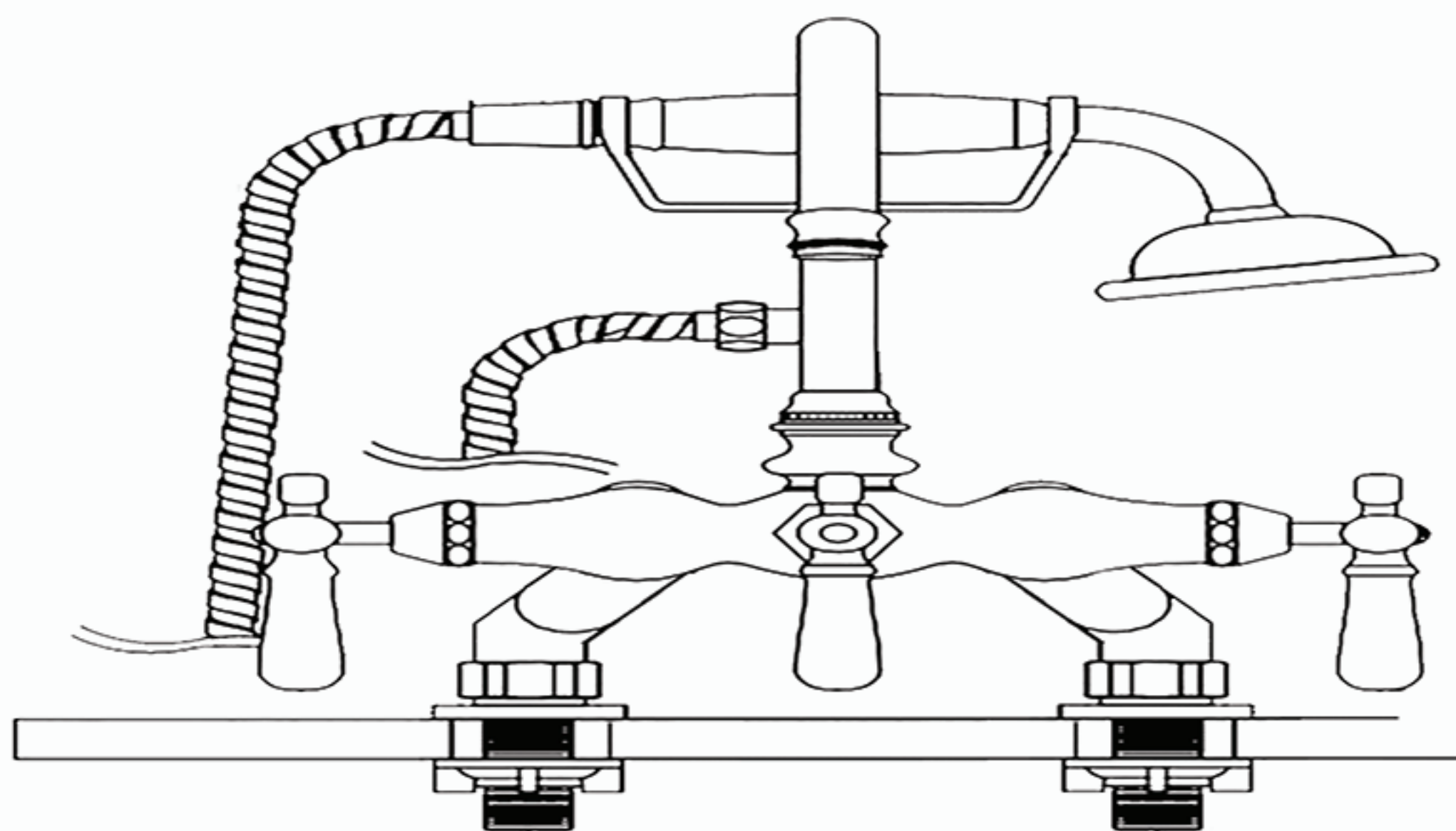
Please Contact Customer Service at 1(866)448-TUBS.

You may also call our Customer Service for any other assistance with our products.

SHUT OFF ALL WATER SUPPLY LINES AT THE TUB WHEN INSTALLING NEW FAUCET

TOOLS AND MATERIALS : Adjustable Wrench
Basin Wrench

Teflon Pipe Tape
Plumber's Tape



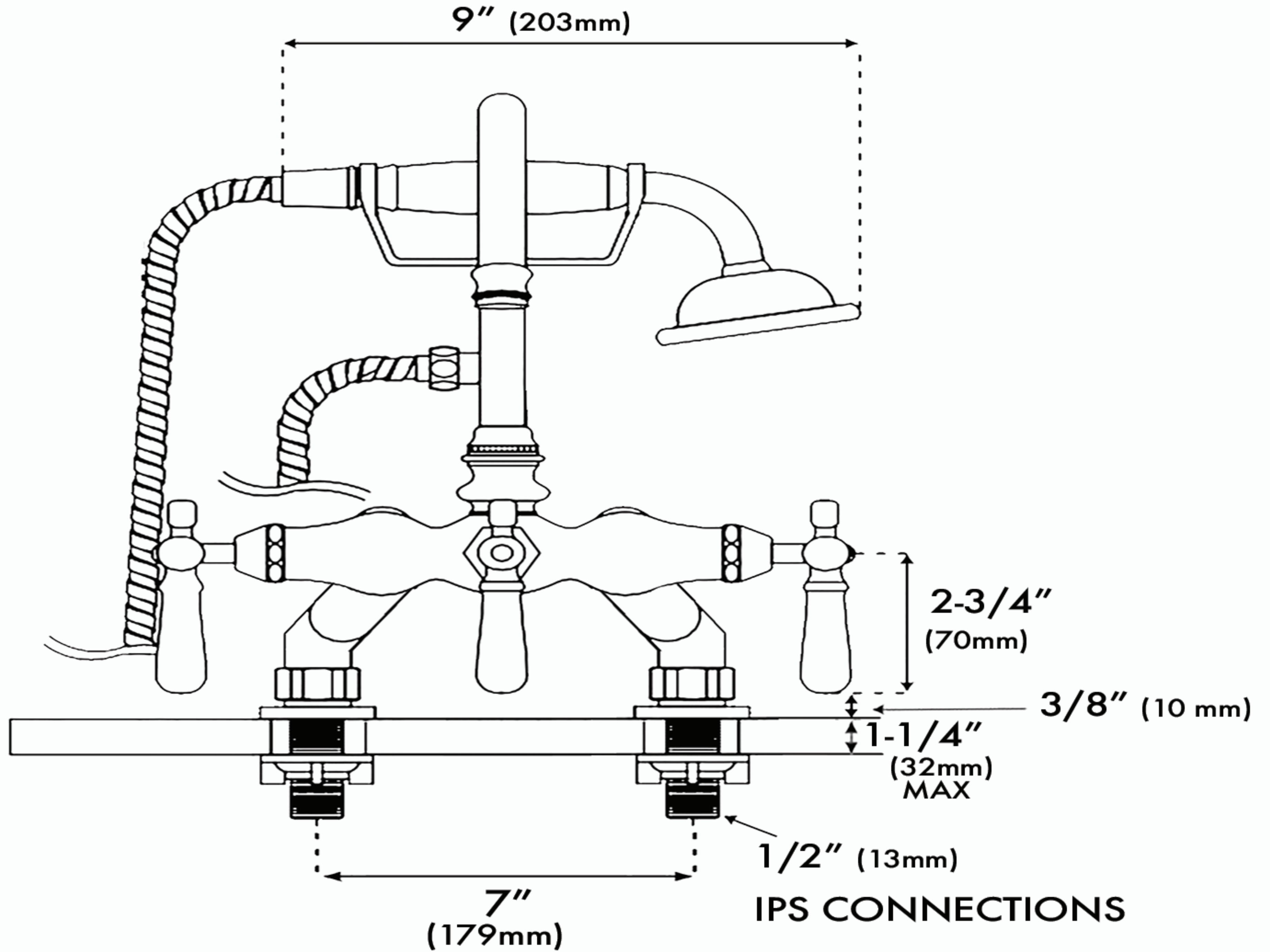
INSTALLATION

1. Locate and remove lock nuts from the back/bottom of the faucet and insert the faucet through the mounting holes.
2. Secure washers (if included) and hex nuts by hand to secure.
3. Align and adjust the faucet so that it is properly positioned, then finish tightening the hex nuts with your adjustable wrench.
(Swing Arms adapt this 3-3/8" spread to enable the faucet to fit 7" mounting holes)
4. Attach the hot and cold water feed tubes to the water inlets on the back or bottom of the faucet. (HOT water is always on the left, COLD water is always on the right)

TIP: Place plumber's tape on hoses and pipes before attaching supply lines to ensure leak free connections.
5. Finish the installation by attaching any hoses and/or handles that might be included.
6. After all connections have been made, turn the water supply on, check to make sure that all connections are tight (no leaks) and that the hot and cold supplies work correctly. Turn the faucet on and allow the water to flow through the spout for around 60 seconds. If you have a hand shower, divert the water to the hose and allow the water to flow through the hose for an additional 60 seconds.

[SCHEMATICS >](#)

FRONT



SIDE

