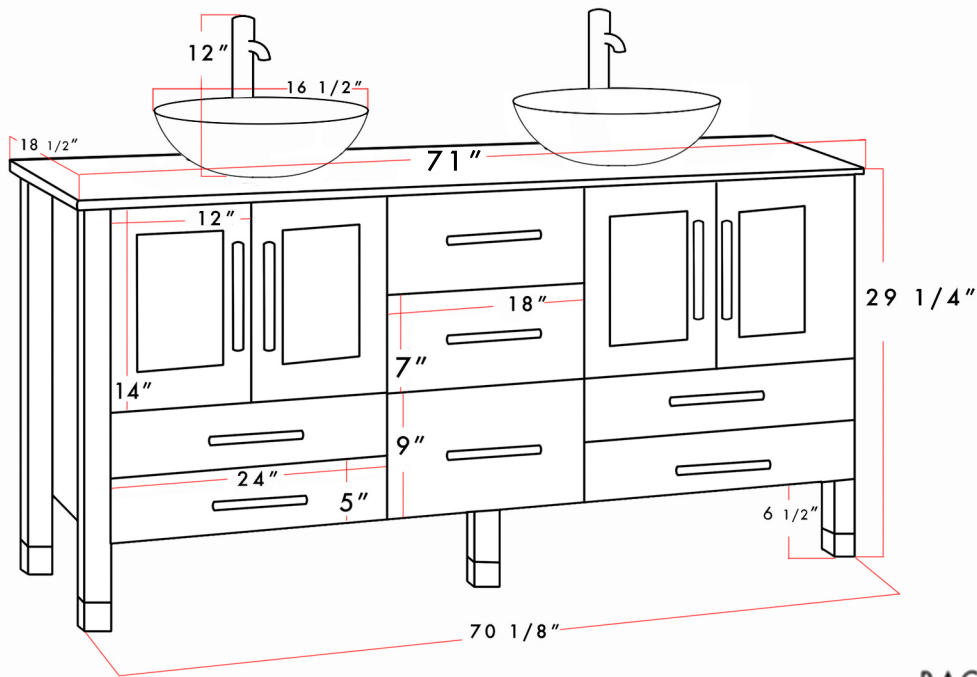
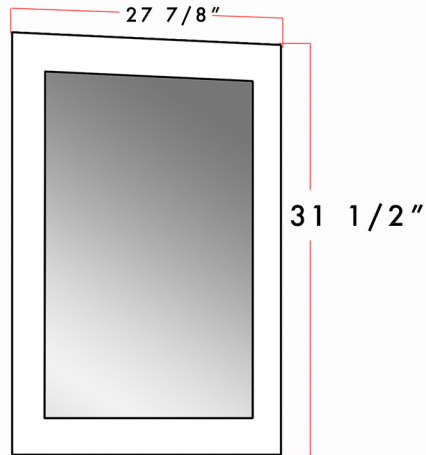
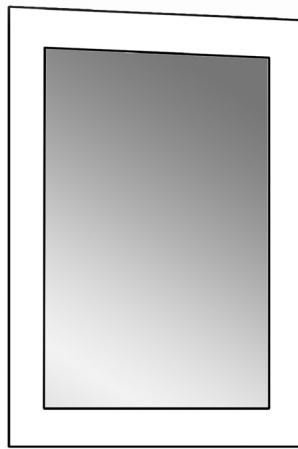


CAMBRIDGE PLUMBING

+/- 1/2" Tolerance

8119BXL



BACK

