

The logo for Kraus, featuring the word "Kraus" in a white, serif font with a registered trademark symbol (®) to the upper right. The logo is set against a solid black rectangular background.

INSTALLATION MANUAL

Granite Kitchen Sinks

Kraus[®]
www.kraususa.com

www.kraususa.com | phone: 1.646.461.9199 | fax: 1.516.621.8900 | toll free: 1.800.755.0703

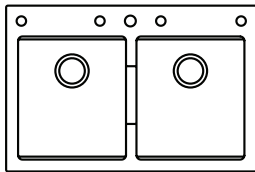
Thank You

We want to take this opportunity to thank you for purchasing a Kraus product, a carefully-crafted, functional addition to your kitchen. Thoughtfully designed and polished, our products are a testament to endless creativity and timeless quality. Every finished piece endures rigorous testing and inspection to ensure it stands the test of time, giving you years of perfect use. Let us help you make your kitchen the heart of your home

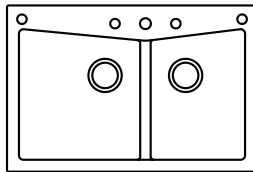
As you begin your Kraus journey, please register your product at: www.kraususa.com/product-registration

Dual Mount Models

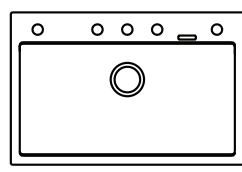
can be installed either as a TOP MOUNT or as an UNDERMOUNT



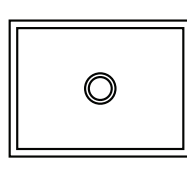
KGD-433B



KGD-430B



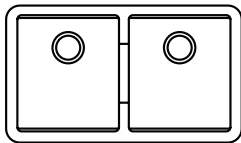
KGD-412B



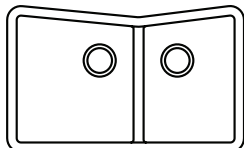
KGD-410B

Undermount Models

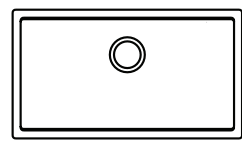
can be installed as an UNDERMOUNT



KGU-434B

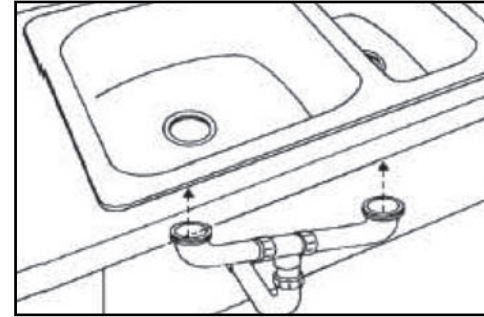


KGU-431B



KGU-413B

Step 7



Connect all faucet supply lines, disposal (if available), and drain trap fittings per manufacturer's instructions.

CHECK FOR LEAKS:

- Supply tubes to faucet
- Supply riser tubes to shut off valves or lower connections
- Fill sink with water and check for leak around drain and carefully tighten as needed

GRANITE SINK CARE & CLEANING INSTRUCTIONS

Everyday Cleaning:

- Wash your sink using warm water, a soft cloth or non-abrasive woven nylon pad, and a nonabrasive liquid cleaner or detergent. This can be done as often as the sink is used.

Metallic Abrasions or Heavy Stains:

- Wipe the sink using a soft cloth or non-abrasive woven nylon pad and a liquid scouring product. Apply the liquid scouring product sparingly and rub lightly. Repeat as necessary until sink is clean.

Hard Water, Calcium and Lime Deposits:

- Wipe with a non-abrasive woven nylon pad and white vinegar. Rinse after 20 minutes.

Do Not Use:

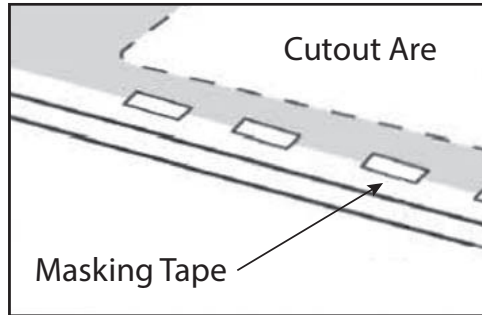
- Abrasive cleansers, abrasive scrub pads, or alkali cleaners such as ammonia.

HELP LINE

If you need additional assistance at any time during the installation, please call us at: 1.800.775.0703 or email us at: info@kraususa.com

Our customer service hours are Monday - Friday, 9am - 6pm EST.
Be sure to visit our website at: www.kraususa.com

Step 1

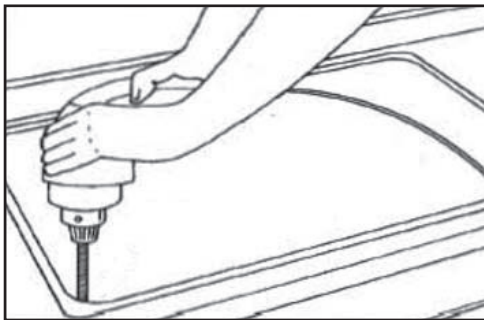


Position the template on the countertop in the location you wish to install the sink. Check to make sure that the sink bowl(s) will not interfere with the cabinets below. Attach the template to the countertop with masking tape and trace the cutout line with a pencil. Remove template from countertop before proceeding.

Or (Without Template)

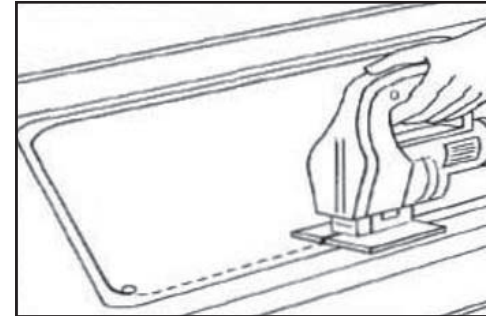
Invert sink and position onto the counter-top. Check to make sure that the sink bowl(s) will not interfere with the cabinets below. Trace a pencil line around the outside edge of the sink and remove the sink from the countertop. Measure in $\frac{3}{8}$ " (10mm) from the initial sink outline and draw a second line inside the first, this is the cut out line.

Step 2



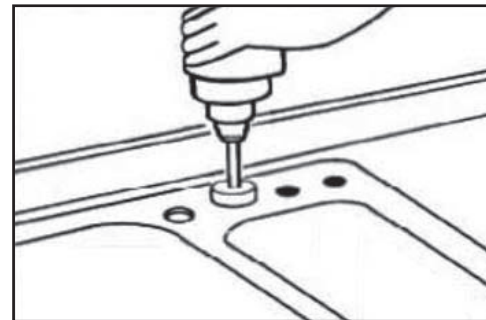
Drill a starter hole inside of cutout line using a drill bit sized to allow the saber saw blade to be inserted for cutting. **NOTE: The starter hole must be fully inside of the cut out line.**

Step 3



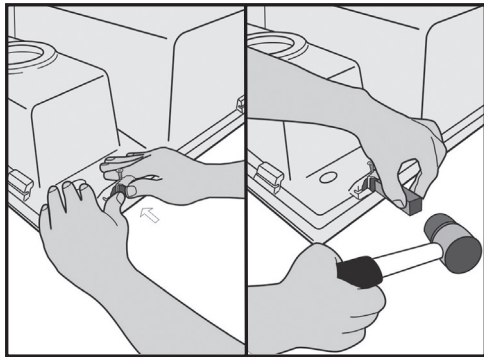
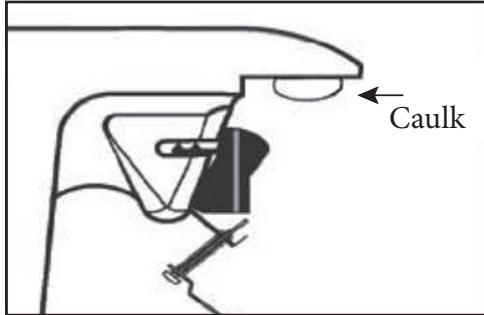
Using a saber saw, cut inside of cutout Line. Place sink in cut out hole and check for proper fit.

Step 4



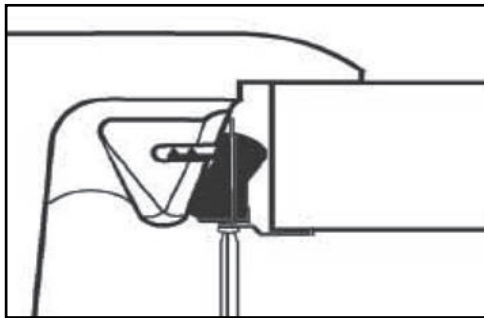
Identify fixture hole locations for faucet, spray or soap dispensers . Drill a starter hole from reverse side of the countertop. Working from the top side of the countertop drill the appropriate number of holes using a $1\frac{1}{4}$ " (32 mm) using a hole saw position on the starter hole, through the countertop. To cool the hole saw and sink surface, a light application of water, periodically, is necessary. Attach faucet, drain, and accessories according to manufacturer's instructions.

Step 5



Apply a bead of caulk (not included) to the underside of the sink flange. For final fit, make sure each sink clip is pulled back as illustrated. Position the sink into the countertop opening.

Step 6



Secure the sink by pivoting the sink clips into the position illustrated and tighten screws in the front, then tighten Rear and side screws.

TOOLS REQUIRED:

- Tape Measure
- Retractable Utility Knife (x-acto type)
- Masking Tape
- Caulk
- Rubber Mallet
- Drill
- Safety Glasses
- Phillips Head Screwdriver
- 1¼" Hole Saw
- Saber Saw (if counter top cutout is required)

IMPORTANT INSTALLER NOTE: READ ALL INSTRUCTIONS CAREFULLY BEFORE STARTING

If you purchased the Dual Mount Granite sink there are two "Master Templates" packaged with the sink that you are installing. Before proceeding any further YOU MUST identify the template pattern that is required in order to install the sink either as a TOP MOUNT installed on the top of the counter or as an UNDERMOUNT installed to the underside of the counter.

a.) TOP MOUNT INSTALLATION:

Select the template pattern from the Master Top Mount template that corresponds to the model number of the sink that you are installing, the model numbers as shown in the line break of the template in the bottom center position of the Master template. Using a Retractable Utility Knife, cut carefully along the line of the template that corresponds to your sink model until you have created the cut out area on the Master template, keep the cut out area to follow instructions.

b.) UNDER MOUNT INSTALLATION:

Select the template pattern that from the Master Under Mount template that corresponds to the model number of the sink that you are installing, the model number is shown in the line break of the template in the bottom center position of the Master template. Using a Retractable Utility Knife, cut carefully along the line of the template that corresponds to your sink model until you have created the cut out area on the Master template, keep the cut out area to follow instructions.

Kräus[®]

INSTALLATION MANUAL

Single Lever Pull-Down Kitchen Faucet

KPF-1630

Thank you for your purchase

We would like to take this opportunity to thank you for choosing Kraus. We hope that you are completely satisfied with your purchase, and enjoy it for years to come. If you have any questions, or require technical assistance, please contact us at 800-775-0703 and one of our representatives will be happy to help.

For more information about Kraus products, please visit:

www.kraususa.com

In order to activate your warranty and receive the full benefit of customer support, please register your new Kraus product at:

www.kraususa.com/registration

Sincerely,

Kraus USA Customer Service

Prior to Installation:

- Make sure you have all necessary parts by checking the diagram and parts list. If any part is missing or damaged, please contact Kraus Customer Service at 800-775-0703 for a replacement
- Turn off the cold and hot water at the angle stops and turn on the old faucet to release any built up pressure
- Flush angle stops to release any debris prior to installation
- Pre-drilled hole size requirement: 1-3/8" (min) – 1-1/2" (max)
- Max countertop thickness: 1-3/8

Diagram and Parts List

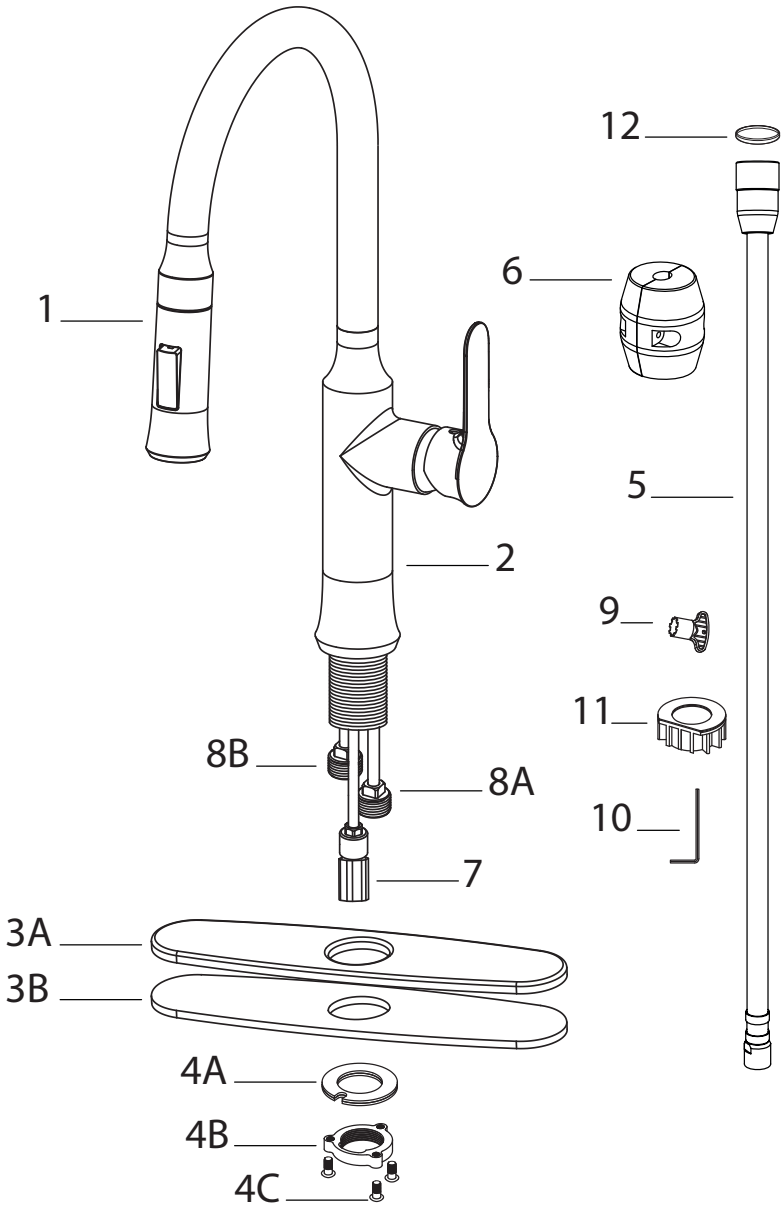


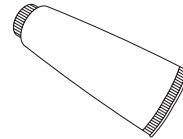
Diagram and Parts List

1. Spray Head
2. Faucet Body
3. Deck Plate Assembly
 - A. Deck Plate
 - B. Base Plate
4. Mounting Hardware
 - A. Rubber & Metal Washer
 - B. Mounting Nut
 - C. Mounting Screws
5. Spray Hose
6. Weight
7. Check Valve
8. Hot and Cold Copper Lines
 - A. Cold
 - B. Hot
9. Aerator Key
10. Hex Wrench
11. Faucet Extender
12. Washer

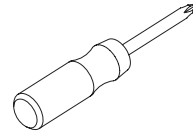
Tools you will need



Adjustable Wrench



Silicone Sealant
(optional)

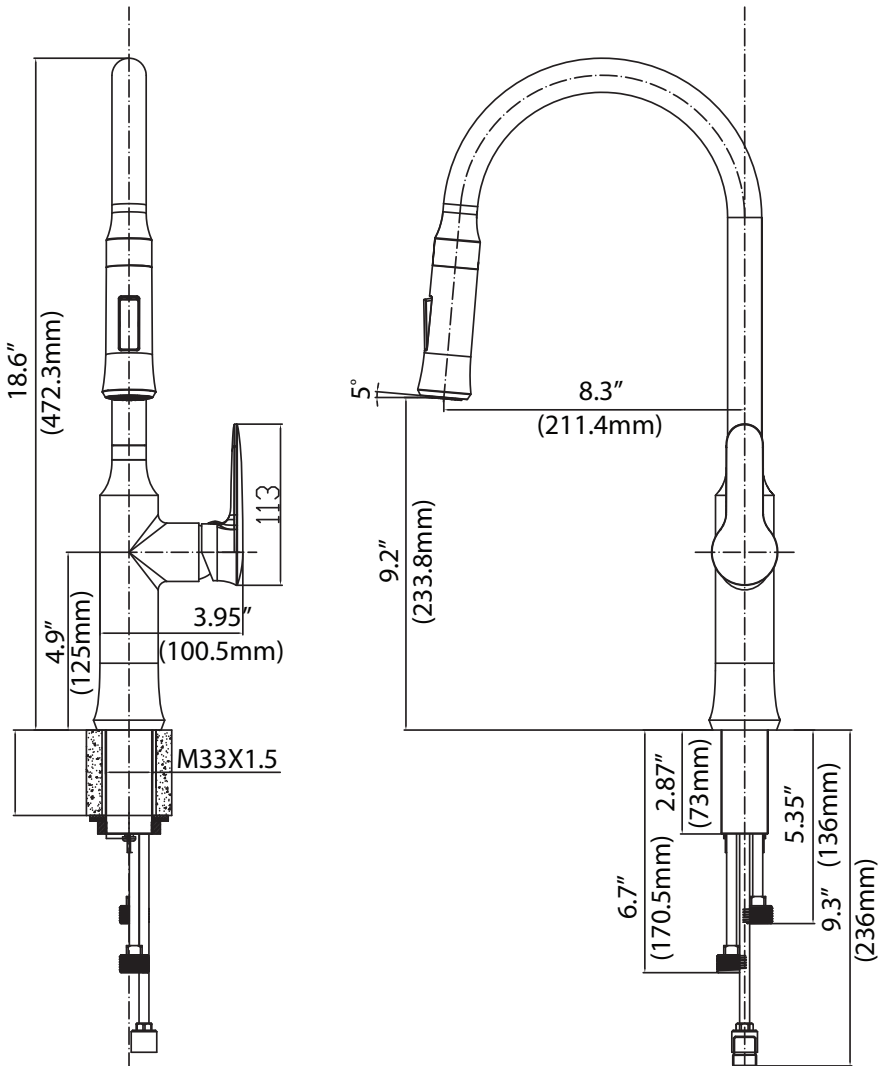


Phillips Screwdriver



Safety Goggles

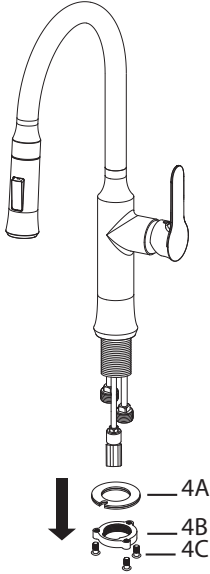
Faucet Installation Procedure



Installer Tip:

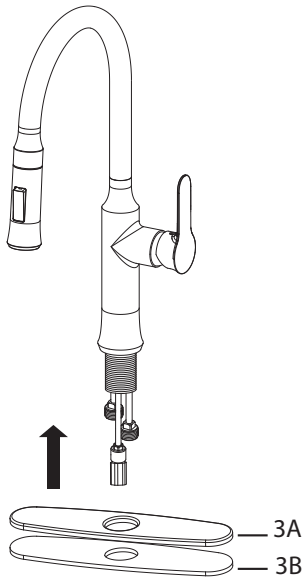
Shut off main water supply before installing new faucet

Step 1: Remove mounting hardware



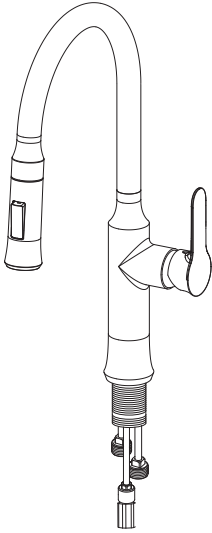
Remove the mounting screws (4C), mounting nut (4B), and rubber & metal washer (4A) from the mounting pipe

Step 2A: Faucet installation - with deck plate



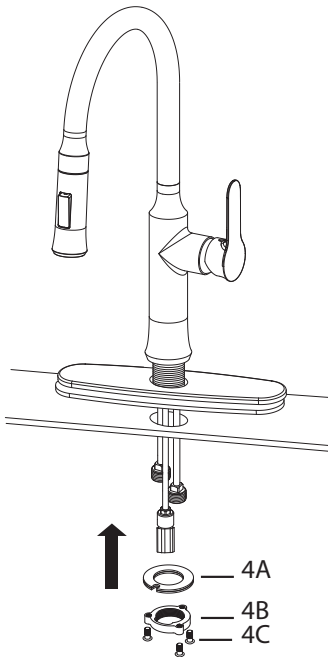
For three-hole installation: Deck plate (3A), base plate (3B), and silicone sealant (optional) are required

Step 2B: Faucet installation - without deck plate



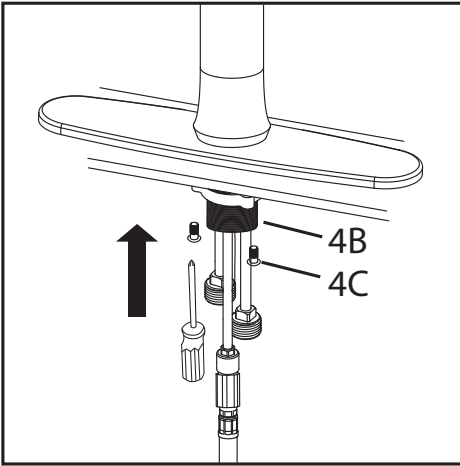
For single-hole installation:
Deck plate (3A), base plate
(3B), and silicone sealant
are **NOT** required

Step 3: Install faucet and mounting hardware



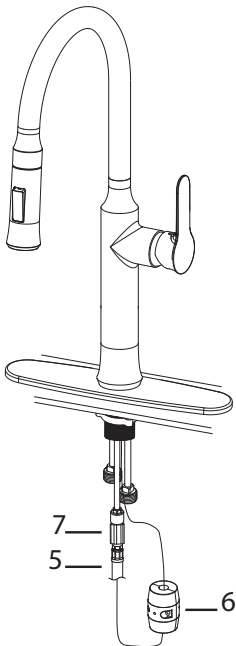
Insert faucet body (2) into
hole in countertop or deck
plate assembly (3). Install
mounting hardware (4A, B
&C) from underneath the
countertop

Step 4: Secure mounting hardware



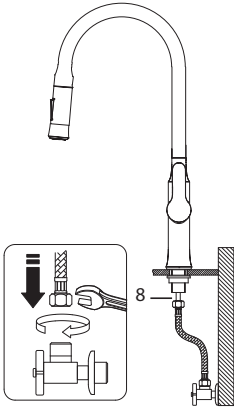
Adjust direction of faucet body (2) so that handle is on right side of faucet. Tighten mounting nut (4B) until snug. Tighten mounting screws (4C) to nut with a Phillips screwdriver until snug

Step 5: Attach spray hose and counterweight



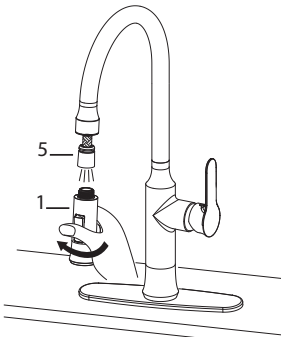
Connect spray hose (5) to check valve (7) attached to supply line. Install weight (6) on lowest vertical point on spray hose (5)

Step 6: Connect waterlines



Connect waterlines (not included) to hot and cold copper lines (8). Connect waterlines (not included) to angle stops. Tighten both ends of waterlines with a wrench until snug. Turn on hot and cold angle stops and check for leaks

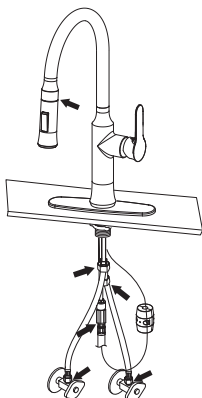
Step 7: Flush spray hose



Remove spray head (1) from spray hose (5). Hold tip of spray hose (5). Turn faucet on and let the water run for 60 seconds to flush any debris

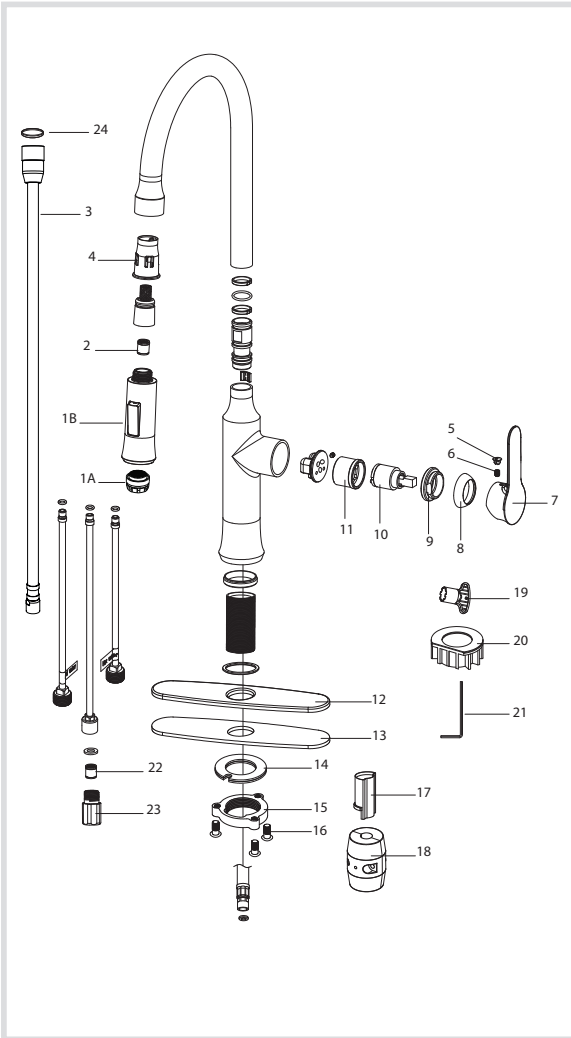
NOTE: Please make sure washer (12) is installed attaching spray head to hose

Step 8 Check for leaks



Check for leaks at the connections. Retighten if necessary

Replacement Parts



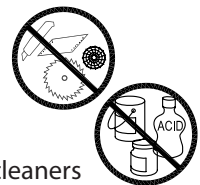
1. a. Aerator
b. Spray Head
2. Check Valve
3. Spray Hose
4. Hose Guide
5. Handle Button
6. Set Screw
7. Metal Handle
8. Cartridge Cover
9. Locking Nut
10. Cartridge
11. Cartridge Housing
12. Deck Plate
13. Base Plate
14. Rubber & Metal Washer
15. Mounting Nut
16. Mounting Screws
17. Protective Sleeve
18. Weight
19. Aerator Key
20. Faucet Extender
21. Hex Wrench
22. Check Valve
23. Connector
24. Washer

Care & Maintenance

*To keep the product clean & shining, follow the steps below:

1. Rinse with clean water & dry with a soft cloth
2. Do not clean with soaps, acid, polish, abrasives, or harsh cleaners
3. Do not use cloth with a coarse surface
4. Unscrew the aerator and clean when necessary

*This installation manual is subject to change without further notice.

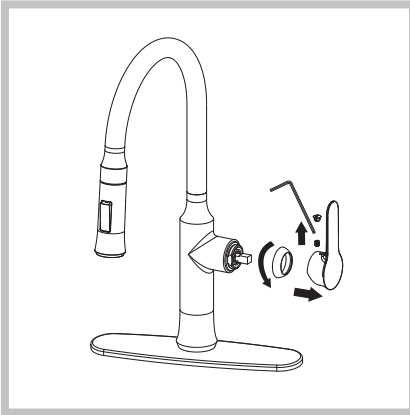


Trouble - Shooting

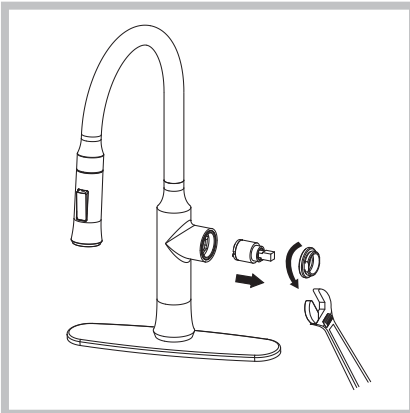
If you have followed the instructions carefully and your faucet still does not work properly, take the following corrective steps:

PROBLEM	CAUSE	ACTION
Leakage under faucet handle	Locking nut has come loose or cartridge needs to be reseted	Remove button located at top of handle. Loosen set screw with hex wrench. Remove handle and unscrew cartridge cover by hand. Tighten locking nut with an adjustable wrench
Water does not shut off completely	Cartridge may need to be adjusted or replaced	Remove button located at top of handle. Loosen set screw with hex wrench. Remove handle and unscrew cartridge cover by hand. Unscrew locking nut with an adjustable wrench. Remove ceramic disc cartridge. Check for cracks, and if O-ring is seated correctly. Reseat cartridge
Leaking between spray head and the hose	Spray head may be loose or washer is not seated correctly in the hose connection	Tighten spray head by hand until snug. Make sure washer is seated correctly
Hose does not retract	Weight may be installed incorrectly	Readjust weight on hose
Low flow	Aerator may be clogged	Unscrew aerator with aerator key. Hold tip of spray head and turn on water to flush debris

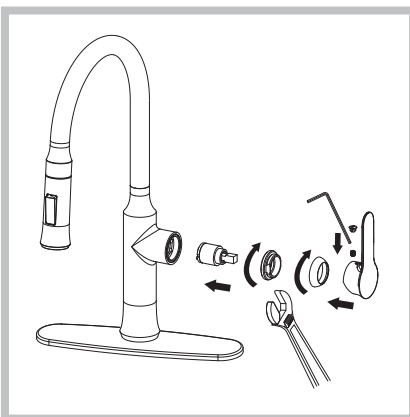
Maintenance - Cartridge Replacement



Step 1: Remove button located at the top of the handle. Loosen the set screw with a hex wrench. Remove the handle and unscrew cartridge cover by hand



Step 2: Unscrew the locking nut with an adjustable wrench. Remove ceramic disc cartridge



Step 3: Place the new cartridge in the handle seat. Secure the cartridge with the locking nut and assemble the handle

Codes/Standards Applicable:



NSF/ANSI 372
NSF/ANSI 61-9



Meets ASME A112.18.1M/A112.18.1
1.8gpm 6.8L/min maximum

KRAUS LIMITED LIFETIME WARRANTY

This product has been manufactured and tested to the highest quality standards by Kraus USA Inc. ("Kraus"). We offer our customers thoughtfully crafted fixtures & accessories, engineered for enduring performance over years of use.

WHO IS COVERED BY THE WARRANTY

This warranty extends to the original purchaser only. This warranty is not transferable, between homes or owners and is only applicable to residential use.

WHAT IS COVERED BY THE WARRANTY

Kraus warranties this product against defects due to material or craftsmanship error during the warranty period: Kraus will provide replacement parts at no charge, or at its option, replace any product or part of the product that is deemed defective, under normal installation, use, service and maintenance. If Kraus is unable to provide a replacement and repair is not practical or cannot be made in timely fashion, Kraus may elect to refund the purchase price in exchange for the return of the product.

CONDITIONS AND EXCLUSIONS

Like other home fixtures, Kraus products will require light maintenance to ensure proper function. We provide you with complete knowledge to perform this maintenance and can also recommend resources if you are unable to fulfill this service.

- A.** Kraus will not be responsible for product failures due to lack of maintenance or proper use. Please read your care and maintenance documentation to determine the limits of proper use.
- B.** The original sales receipt, order number, and/or proof of purchase must be presented at the time of the warranty claim, without exception, for this warranty to be applied to all Kraus products.

C. Kraus recommends installing all Kraus products with a licensed, professional plumber. Kraus will not be held responsible for any damage or product failure due to improper installation, misuse, or failure to use a licensed professional. Please read your care and maintenance documentation to determine the limits of proper use.

D. Commercial use will automatically void this warranty.

E. This warranty is not applicable to Kraus products purchased from an unauthorized seller. For a complete list of authorized sellers please visit <http://www.kraususa.com/where-to-buy.html>

NON-APPLICABILITY OF THIS WARRANTY

By the purchase and use of our products, you agree that Kraus is not liable for incidental, consequential or special damages associated with the return, replacement, installation or use of your product. This includes freight costs, cartridge replacement, labor, travel time, lost profit, home damages and other contingent liabilities and costs (including, without limitation, costs associated with experts, investigations, analyses, attorneys and other professionals and services). The Kraus warranty is a comprehensive and explicit limit of liability, and all items outside of it are not addressable by or the responsibility of Kraus. Certain states have variances regarding implied warranties and in those situations we remain fully compliant.

KRAUS USA Inc. makes no implication that products comply with any or all local building or plumbing codes. It is the consumer's responsibility to determine local code compliance. This warranty extends to the original purchaser and first consumer.

HELP LINE

For additional assistance at any point in the installation process, please call us at 1.800.775.0703 or email us at info@kraususa.com

Our customer service hours are Monday – Friday, 9am – 8pm EST.
Be sure to visit our website at www.kraususa.com

Kräus®

www.kraususa.com

Kräus®

INSTALLATION MANUAL

Soap Dispensers

KSD-30

KSD-33

KSD-35

KSD-41

KSD-42

SD-20

SD-25

Thank you for your purchase

We would like to take this opportunity to thank you for choosing Kraus. We hope that you are completely satisfied with your purchase, and enjoy it for years to come. If you have any questions, or require technical assistance, please contact us at 800.775.0703 and one of our representatives will be happy to help.

For more information about Kraus products, please visit:

www.kraususa.com

In order to activate your warranty and get faster access to customer support, please register your new Kraus product at:

www.kraususa.com/registration

Sincerely,

Kraus USA Customer Service

PRIOR TO INSTALLATION

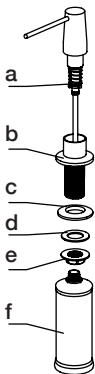
- Make sure you have all necessary parts by checking the diagram and parts list. If any part is missing or damaged, please contact Kraus Customer Service at 800-775-0703 for a replacement
- Pre-drilled hole size requirement: 1-1/4"
- Max countertop thickness without deck plate: 1-3/8"

For technical assistance or replacement parts, please contact Kraus Customer Service and one of our representatives will be happy to help:

Toll-Free: 800.775.0703 or Customerservice@kraususa.com

The step-by-step guidelines in the installation instructions are a general reference for installing a Kraus Sink. Should there be any discrepancies, Kraus cannot be held liable. It is recommended to install all Kraus products by hiring a licensed professional.

GDA-1 Diagram and Parts List:



- a. Pump*
- b. Dispenser Base*
- c. Rubber Washer A*
- d. Rubber Washer B*
- e. Mounting Nut*
- f. Dispenser Bottle*

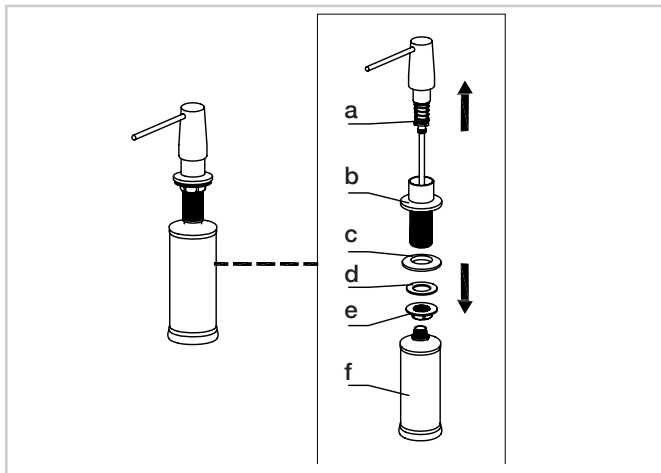
TOOLS REQUIRED:



*Adjustable Wrench

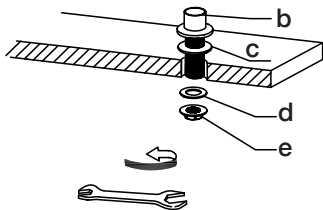
Step 1

Disassemble soap dispenser



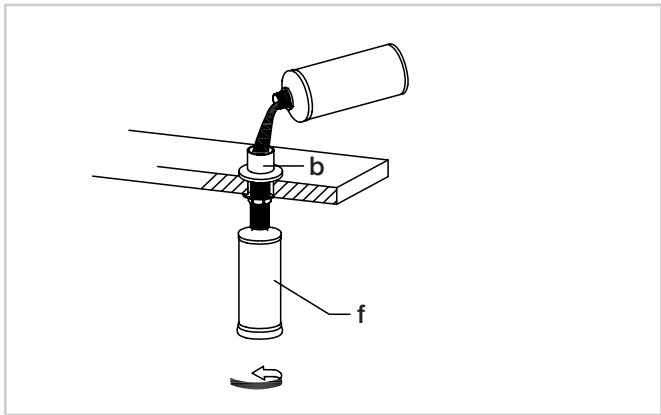
Step 2

Install dispenser base (b) with rubber washer A (c) attached into the hole in the countertop. Re-install rubber washer B (d) and mounting nut (e) on the dispenser base (b) from underneath the countertop. Tighten mounting nut (e) with adjustable wrench until snug



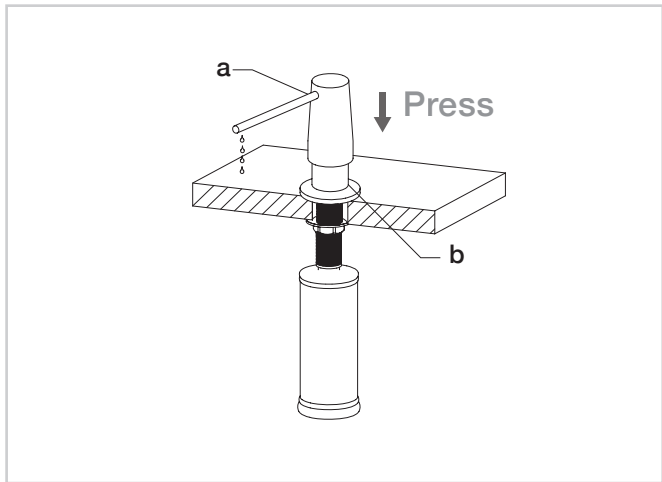
Step 3

Screw the dispenser bottle (f) to the dispenser base (b) from underneath the countertop. Tighten as required. Fill the dispenser bottle (f) from the top with 12 ounces of soap



Step 4

Insert pump (a) into dispenser base (b) from the top. Press the pump several times to make sure soap is evenly distributed



HELP LINE

Our customer service hours are Monday – Friday, 9am – 8pm EST.

Be sure to visit our website at www.kraususa.com

If you are a HOMEOWNER please contact a Kraus Customer Service Representative at:

Kraus USA, Inc.
12 Harbor Park Drive
Port Washington, NY 11050
Toll-free 800-775-0703
Customerservice@kraususa.com

If you are a PLUMBING CONTRACTOR OR TRADE PROFESSIONAL please contact a Kraus Pro Representative at:

Kraus USA, Inc.
12 Harbor Park Drive
Port Washington, NY 11050
516-801-8955
Proservice@kraususa.com

If you are an AUTHORIZED PARTNER please contact a Partner Support Representative at:

Kraus USA, Inc.
12 Harbor Park Drive
Port Washington, NY 11050
516-801-8954
Partnersupport@kraususa.com

In requesting warranty service, please be ready to provide:

1. Proof of purchase.
2. A description of the problem.

Kräus[®]

www.kraususa.com

REGISTER YOUR PRODUCT TODAY

Receive Proof of Ownership

Access Customer Care & Installation Help

Get Exclusive Kraus Offers & Promotions



Scan to Register Online or visit
<http://www.kraususa.com/registration>

We're always looking for ways to improve.

Please take a moment to share your experience.

Visit <http://www.kraususa.com/review> to let us know what you think about your new Kraus product.

Contact Us to Learn More

1.800.775.0703 / www.kraususa.com / customerservice@kraususa.com

Like & Follow KrausUSA

Download the Kraus Care & Maintenance Guide at:

<http://www.kraususa.com/maintenance>



Kräus[®]

www.kraususa.com