

KHU100-30

30 Inch Undermount Single Bowl 16 Gauge
Stainless Steel Kitchen Sink
Satin Finish



Material

16 Gauge Stainless Steel

Minimum Cabinet Size

Undermount : 33"

Installation Type

Undermount

Dimensions

Sink Dimensions: 30" x 18" x 10"

Bowl Type

Single Bowl Sink
Handmade

Accessories Included

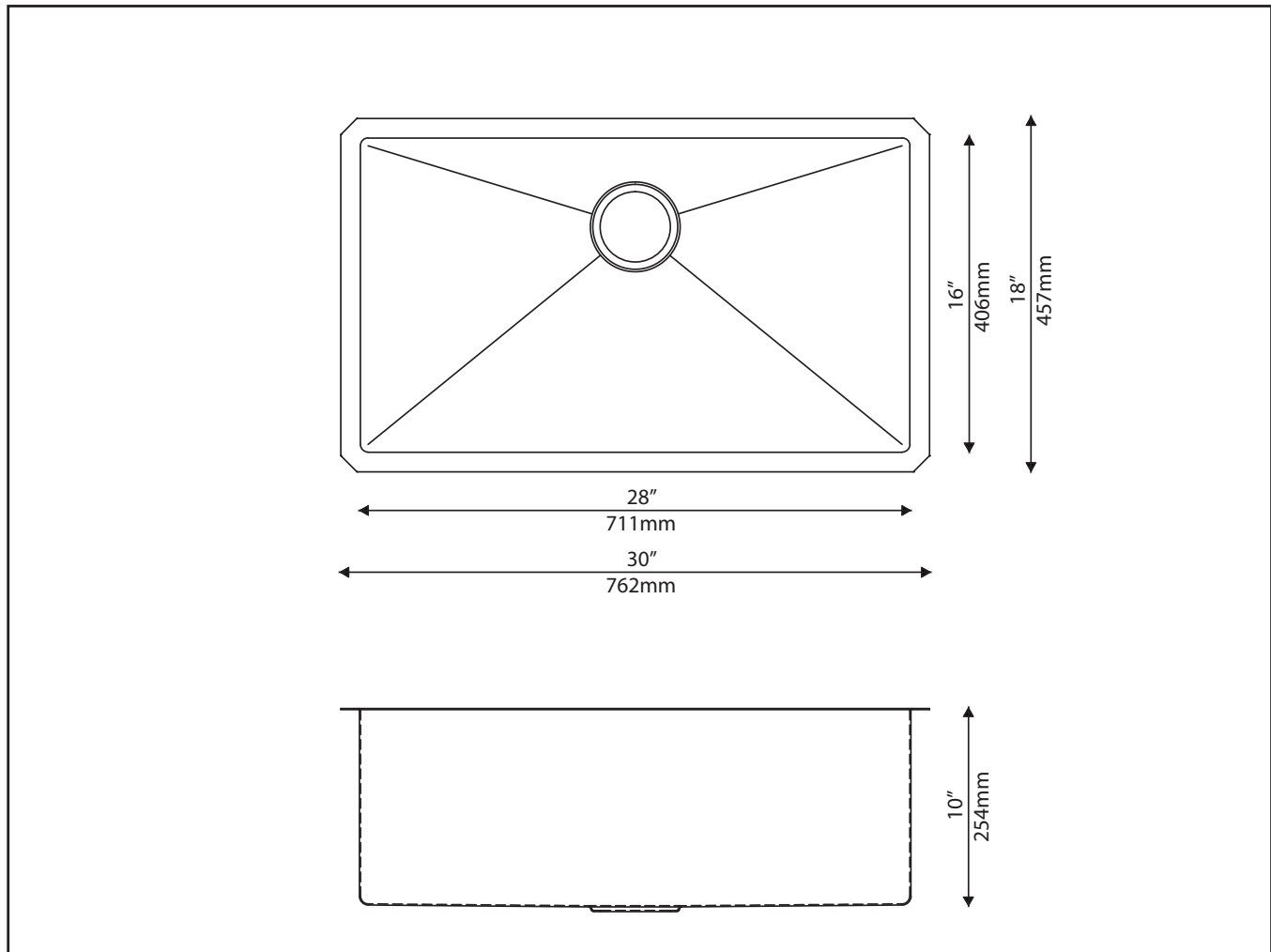
KBG-100-30, BST-1, Mounting Hardware, Tem-
plate, Towel

Technology

Noise Defend

Kraus Limited Lifetime Warranty: See website for details www.kraususa.com

1.800.775.0703 / customerservice@kraususa.com



Nola™ / KPF-1630

Single Lever Pull-down Kitchen Faucet

Chrome / Stainless Steel Finishes

Kräus®

SPECIFICATION SHEET

Material

Body: Brass
Handle: Zinc
Sprayer: ABS
Waterway: Braided Nylon

Spout

Swivel: 360
Design: Full Body
Pull Down

Sprayhead

Flow Rate: 1.75 gpm (6.6L/min) @ 60 psi
Aerator: Neoperl/1.75GPM
Name: Cache Perlator Honeycomb
Function: Spray/Stream
Nozzles: Easy Clean Rubber Nozzles
Docking: Secure

Hose

Type: Neoperl

Cartridge

Brand: Sedal
Size: 25mm
Style: Lever

Mounting

Holes: 1 - 3 Holes
Type: Brass Nut

Waterlines

Type : Haoyamei, 600mm
Flexible
Connections: 3/8"
Materials: Braided Stainless Steel
Included

Dimensions

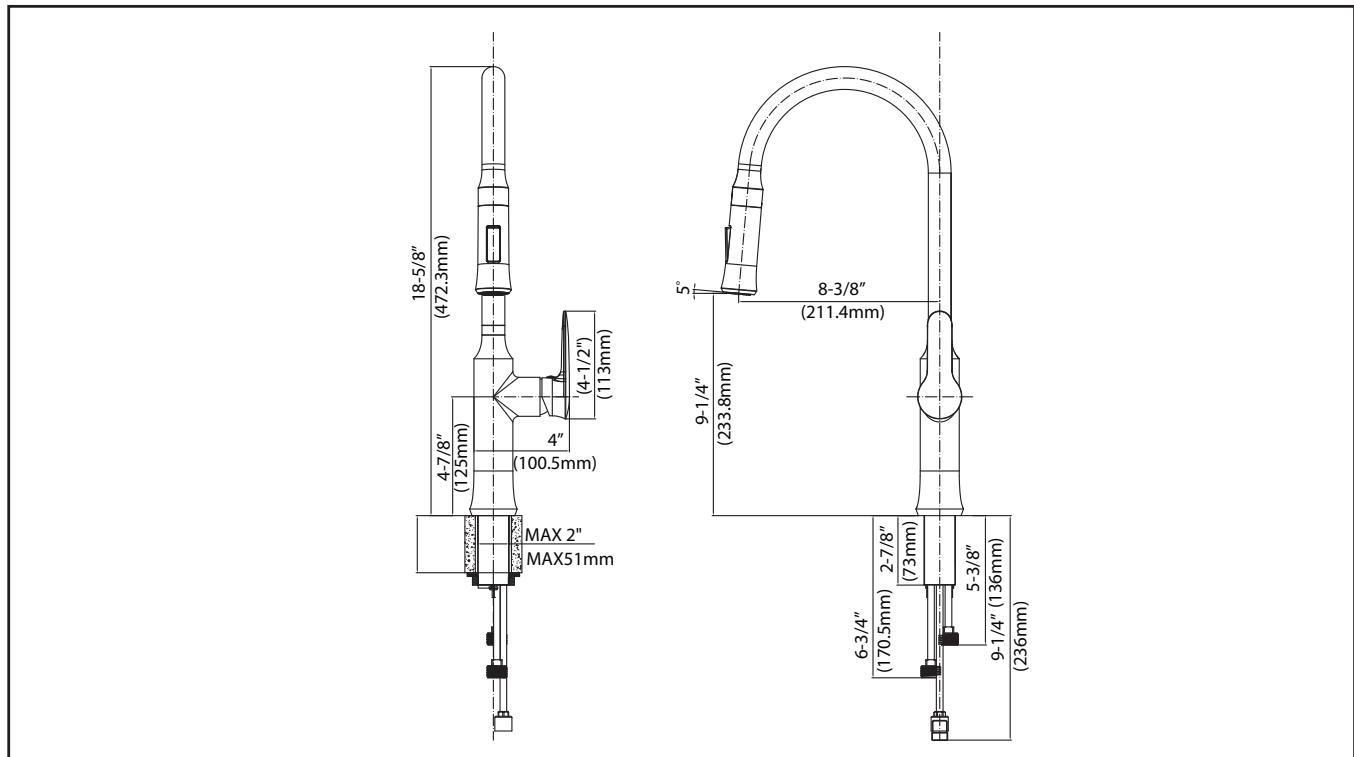
Faucet Dimensions: 18 5/8" x 8 3/8" x 2"
Handle Clearance: 3 1/4"

Accessories Included

Escutcheon Plate, Weight, Hex Wrench

Kraus Limited Lifetime Warranty: See website for details www.kraususa.com

1.800.775.0703 / customerservice@kraususa.com



Codes/Standards: Meets ASME A112.18.1/CSA B125.1, NSF/ANSI Standard 61 certified by IAPMO, NSF/ANSI Standard 372 certified by IAPMO, CAL GREEN, CEC, ADA

REV. August 16, 2016

KSD-42

Soap Dispenser

Kräus®

SPECIFICATION SHEET

Finish

- Chrome
- Stainless Steel

Material

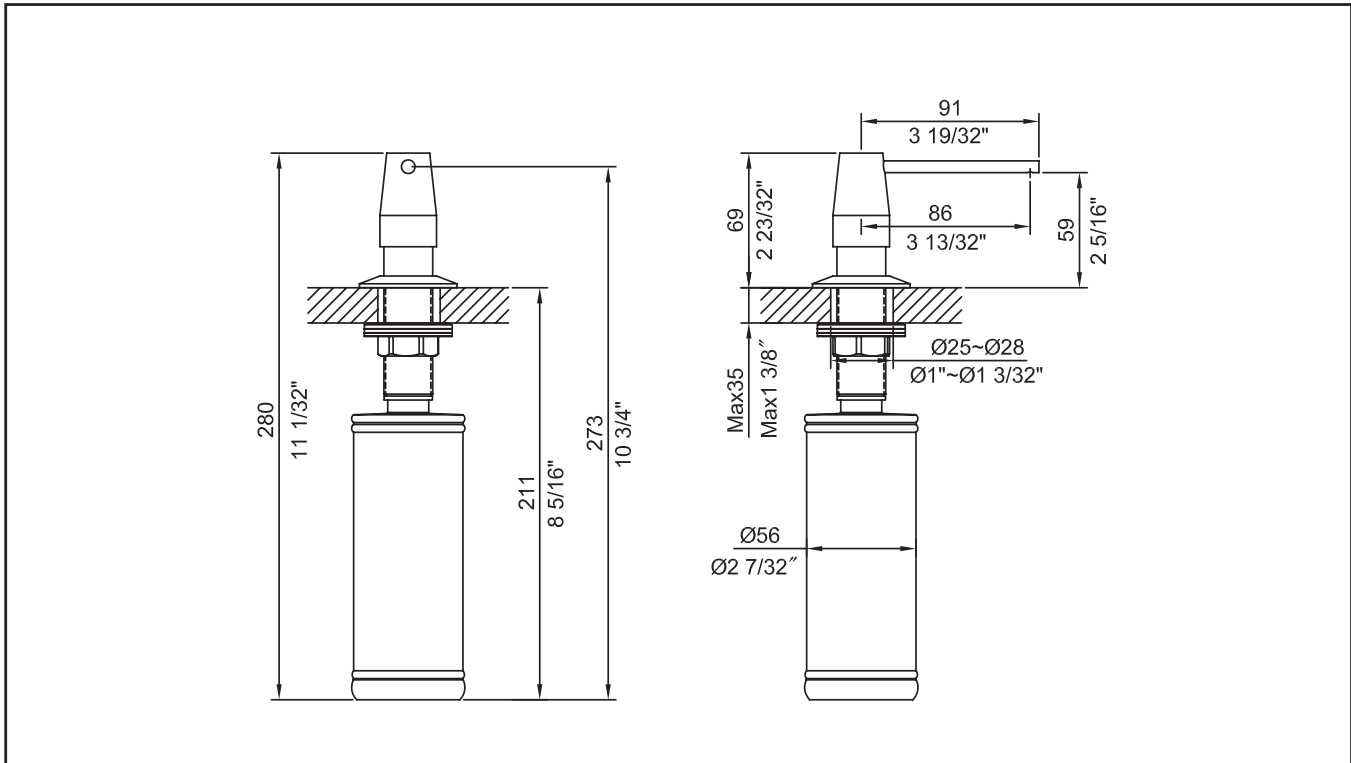
Brass

Features

- Solid Brass Construction
- Self-Priming Pump
- Refillable from Above
- Holds up to 12 oz. of Liquid
- Pump: 2-23/32"
- Spout: 3-19/32"

Kraus Limited Lifetime Warranty: See website for details www.kraususa.com

1.800.775.0703 / customerservice@kraususa.com



REV. August 18, 2016