

# KBU14

31 1/2 Inch Undermount Single Bowl 16 Gauge  
Stainless Steel Kitchen Sink  
Satin Finish

Kräus<sup>®</sup>

SPECIFICATION SHEET

## Material

16 Gauge Stainless Steel

## Minimum Cabinet Size

Undermount : 36"

## Installation Type

Undermount

## Dimensions

Sink Dimensions: 31 1/2" x 18 3/8" x 10"

## Bowl Type

Single Bowl Sink  
Pressed

## Accessories Included

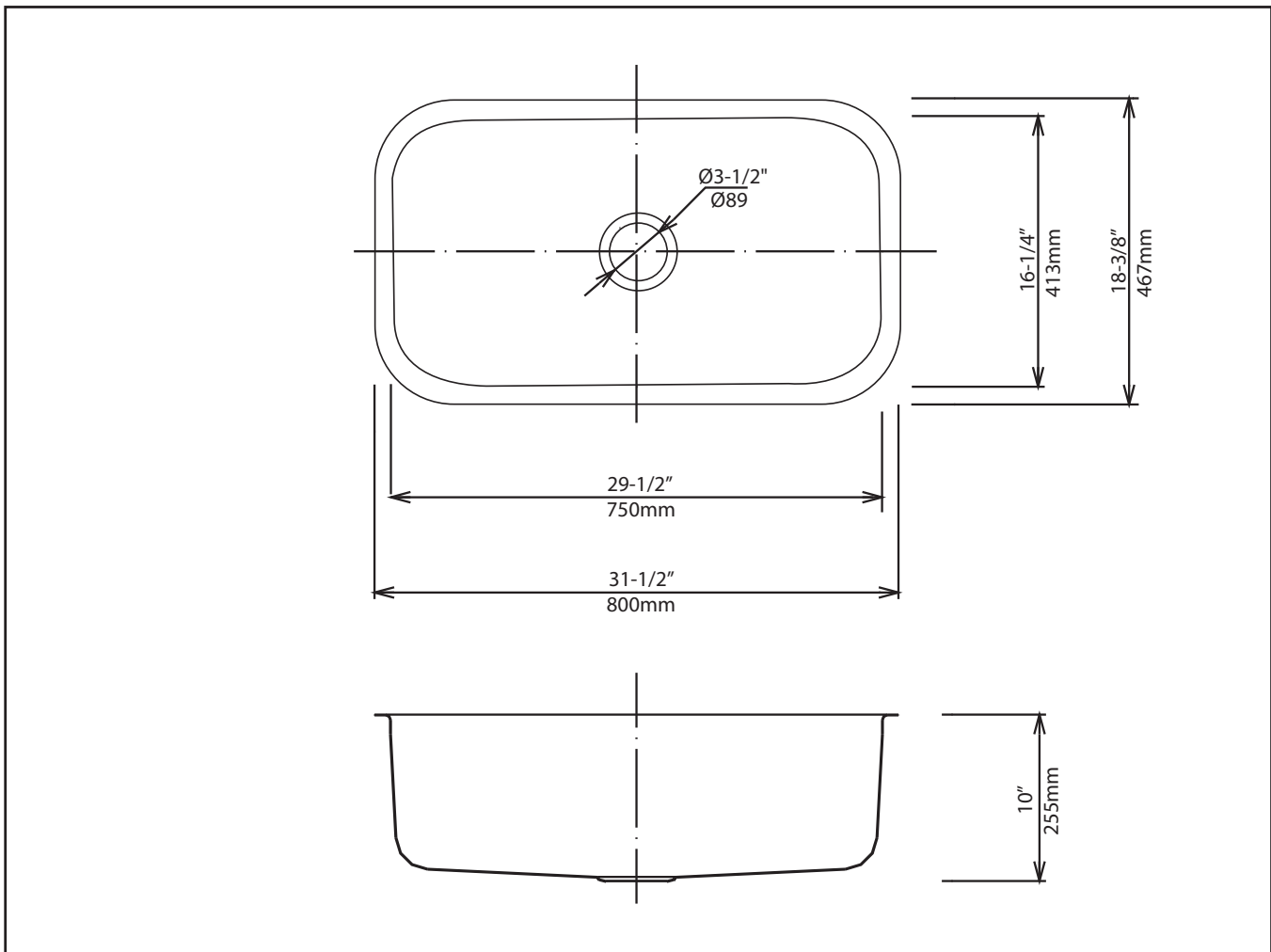
KBG-14, Strainer, Mounting Hardware,  
Template, Towel

## Technology

Noise Defend

Kraus Limited Lifetime Warranty: See website for details [www.kraususa.com](http://www.kraususa.com)

1.800.775.0703 / [customerservice@kraususa.com](mailto:customerservice@kraususa.com)



# Nola™ / KPF-1630

Single Lever Pull-down Kitchen Faucet

Chrome / Stainless Steel Finishes

# Kräus®

SPECIFICATION SHEET

## Material

Body: Brass  
Handle: Zinc  
Sprayer: ABS  
Waterway: Braided Nylon

## Spout

Swivel: 360  
Design: Full Body  
Pull Down

## Sprayhead

Flow Rate: 1.75 gpm (6.6L/min) @ 60 psi  
Aerator: Neoperl/1.75GPM  
Name: Cache Perlator Honeycomb  
Function: Spray/Stream  
Nozzles: Easy Clean Rubber Nozzles  
Docking: Secure

## Hose

Type: Neoperl

## Cartridge

Brand: Sedal  
Size: 25mm  
Style: Lever

## Mounting

Holes: 1 - 3 Holes  
Type: Brass Nut

## Waterlines

Type : Haoyamei, 600mm  
Flexible  
Connections: 3/8"  
Materials: Braided Stainless Steel  
Included

## Dimensions

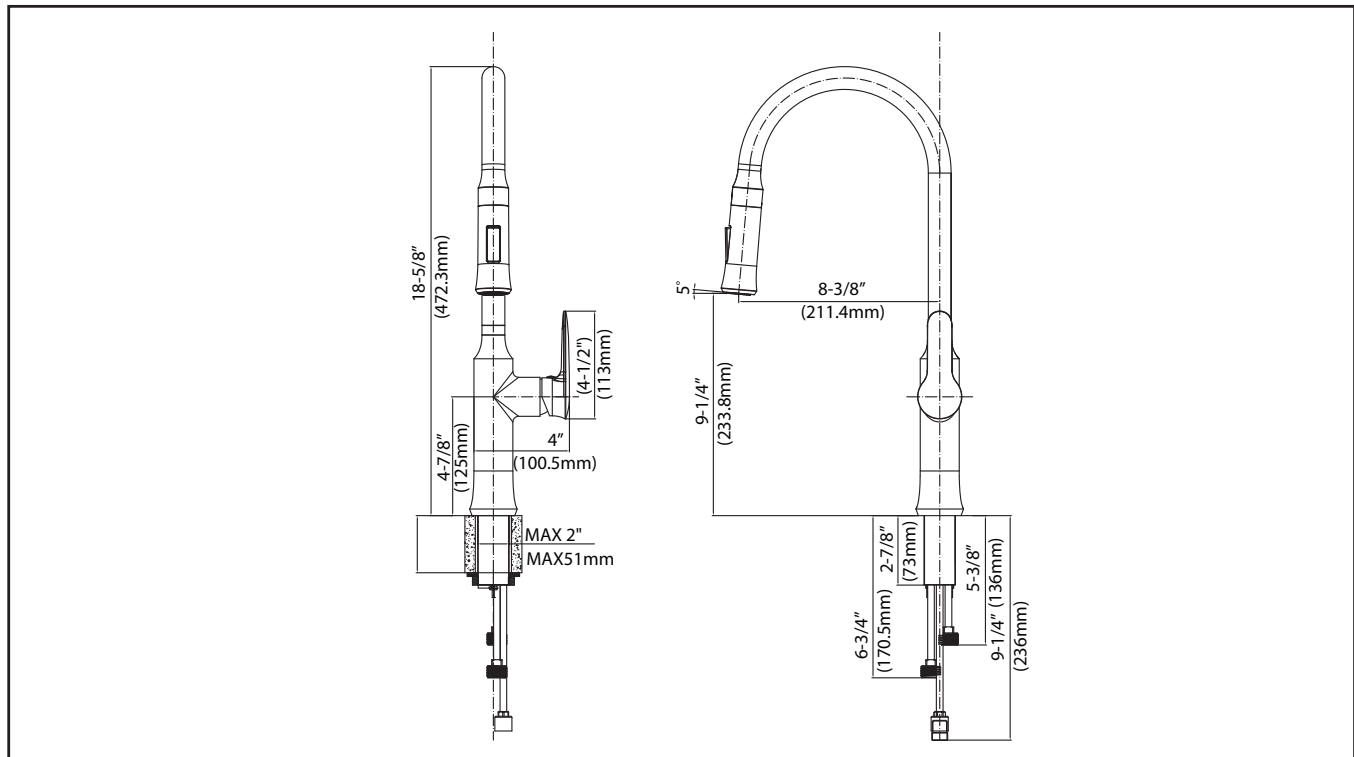
Faucet Dimensions: 18 5/8" x 8 3/8" x 2"  
Handle Clearance: 3 1/4"

## Accessories Included

Escutcheon Plate, Weight, Hex Wrench

Kraus Limited Lifetime Warranty: See website for details [www.kraususa.com](http://www.kraususa.com)

1.800.775.0703 / [customerservice@kraususa.com](mailto:customerservice@kraususa.com)



Codes/Standards: Meets ASME A112.18.1/CSA B125.1, NSF/ANSI Standard 61 certified by IAPMO, NSF/ANSI Standard 372 certified by IAPMO, CAL GREEN, CEC, ADA

REV. August 16, 2016

# KSD-42

## Soap Dispenser

# Kräus®

### SPECIFICATION SHEET

#### Finish

- Chrome
- Stainless Steel

#### Material

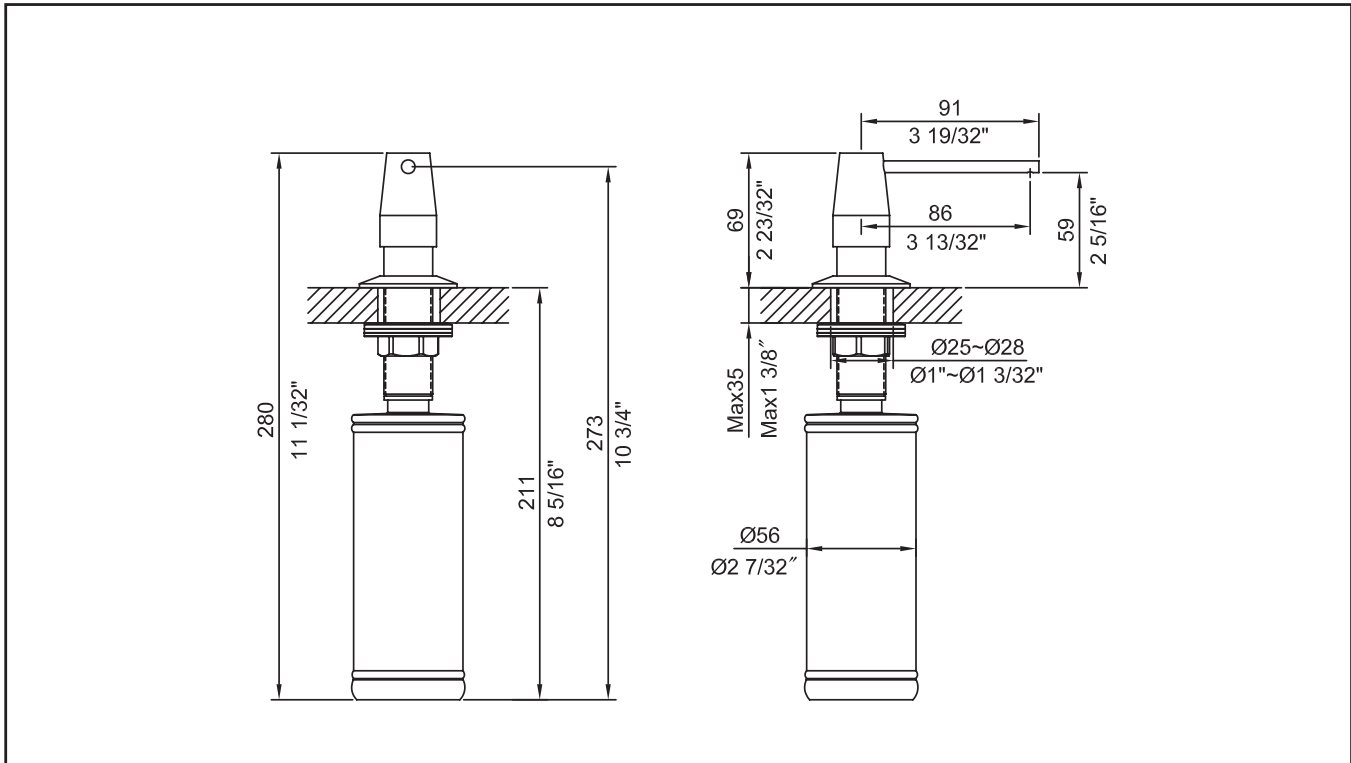
Brass

#### Features

- Solid Brass Construction
- Self-Priming Pump
- Refillable from Above
- Holds up to 12 oz. of Liquid
- Pump: 2-23/32"
- Spout: 3-19/32"

Kraus Limited Lifetime Warranty: See website for details [www.kraususa.com](http://www.kraususa.com)

1.800.775.0703 / [customerservice@kraususa.com](mailto:customerservice@kraususa.com)



REV. August 18, 2016