

**Kräus<sup>®</sup>**

INSTALLATION MANUAL

## **Glass Vessel Sink**

## Thank You

Kraus would like to take this opportunity to thank you for purchasing our products. It is our sincere hope that you are completely satisfied with your new purchase and enjoy it for years to come. We welcome any questions or comments you may have, and look forward to assisting you in the future.

For more information about Kraus products, please visit our website at [www.kraususa.com](http://www.kraususa.com).

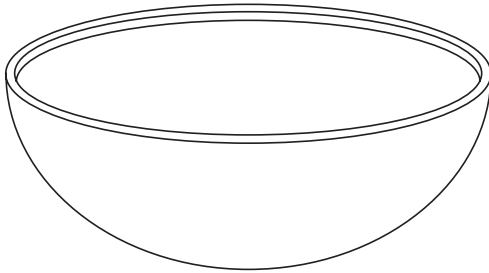
In order to allow us to serve you better, we recommend registering your new Kraus product at:

[www.kraususa.com/product-registration](http://www.kraususa.com/product-registration)

*Sincerely,*

*Kraus Customer Service Department*

## Kraus Glass Vessel Sinks



### Specifications

**DIMENSIONS:** 14" - 17"

**GLASS THICKNESS:** 12mm -19mm

**DRAIN OPENING:** 1.75 in Standard

**INSTALLATION:** Above Counter

**LIMITED LIFETIME WARRANTY**

- Fashionable bathroom sink is the perfect harmony of elegance and style
- Eye-catching Kraus glass vessel sink will turn an ordinary bathroom into a lavish space
- Sink provides an easy home improvement project
- Sink features polished glass interior and exterior, or polished glass interior and textured painted exterior
- Designed for above counter installation with standard US plumbing connections
- Certified and Listed by UPC, cUPC, CSA, IAPMO, ANSI and SCC
- Manufactured by Kraus

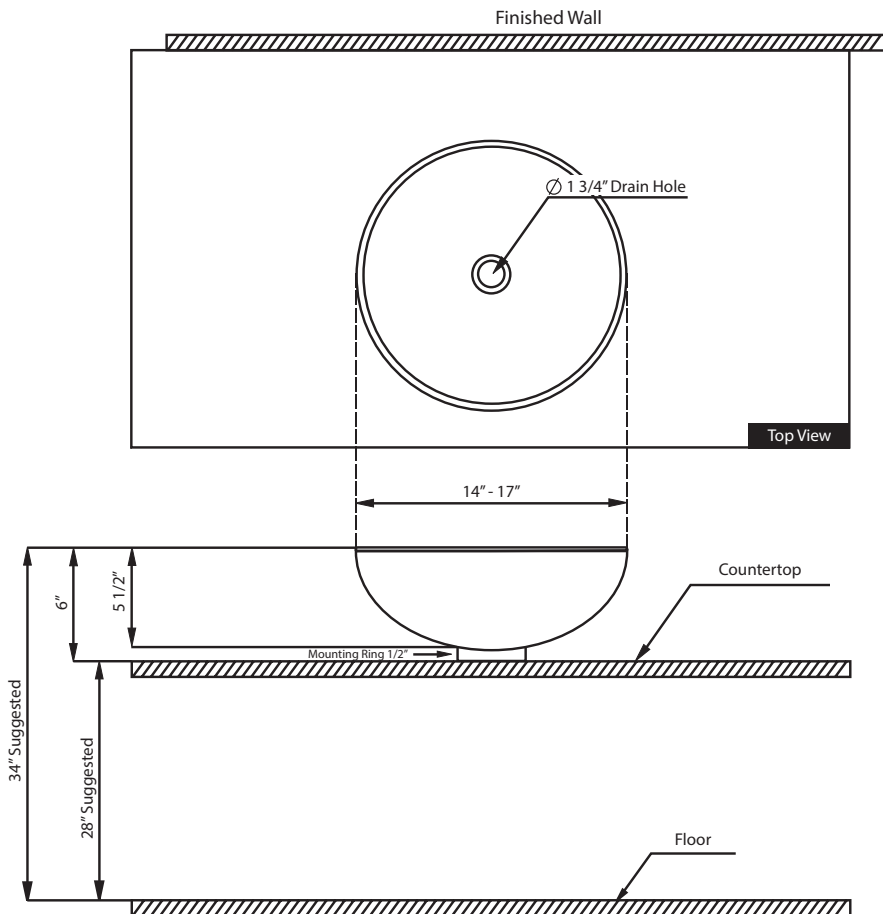
### Prior to Installation

- Unpack your new product and ensure that all the parts are contained in the packaging
- Keep the product in its original box until you're ready to install it
- The counter top must be flat
- Shut off the water supply if replacing a previously-installed vessel sink
- Observe all plumbing and building codes in your area
- It is recommended that installation of the product be done by a professional plumber

## Installer Tip

Shut off main water supply before installation.

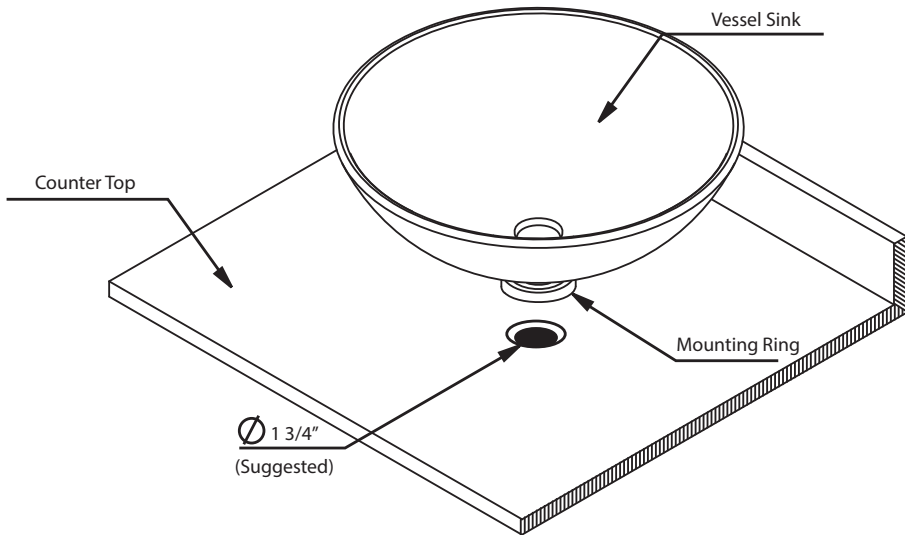
## Rough-In Dimensions



## Installation Instructions

### Before you begin

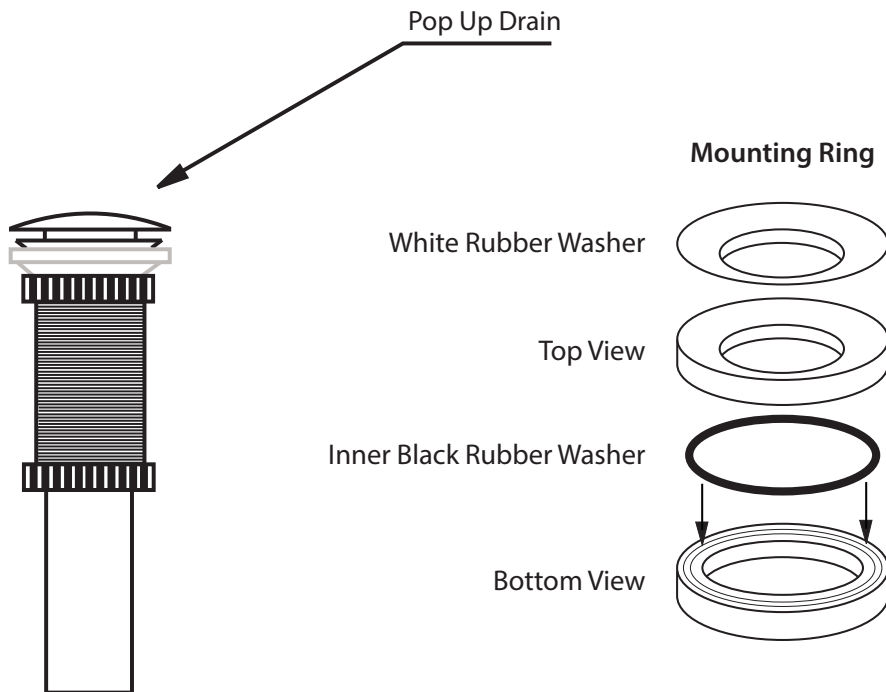
Prepare counter top by drilling a 1 3/4" diameter drain hole at the desired location. Install mounting ring. Place vessel sink on the mounting ring or counter top as shown below.



1. Make sure the vessel sink is not scratched, chipped or broken prior to installation.
2. Check to see if your set contains the following parts:
  - Vessel sink
  - Pop up drain (optional, may be sold separately)
  - Mounting Ring (optional, may be sold separately)
3. Locate and place the mounting ring over the drain hole with the rubber side facing down and the white washer side facing up.
4. Gently set your sink on top of the mounting ring.

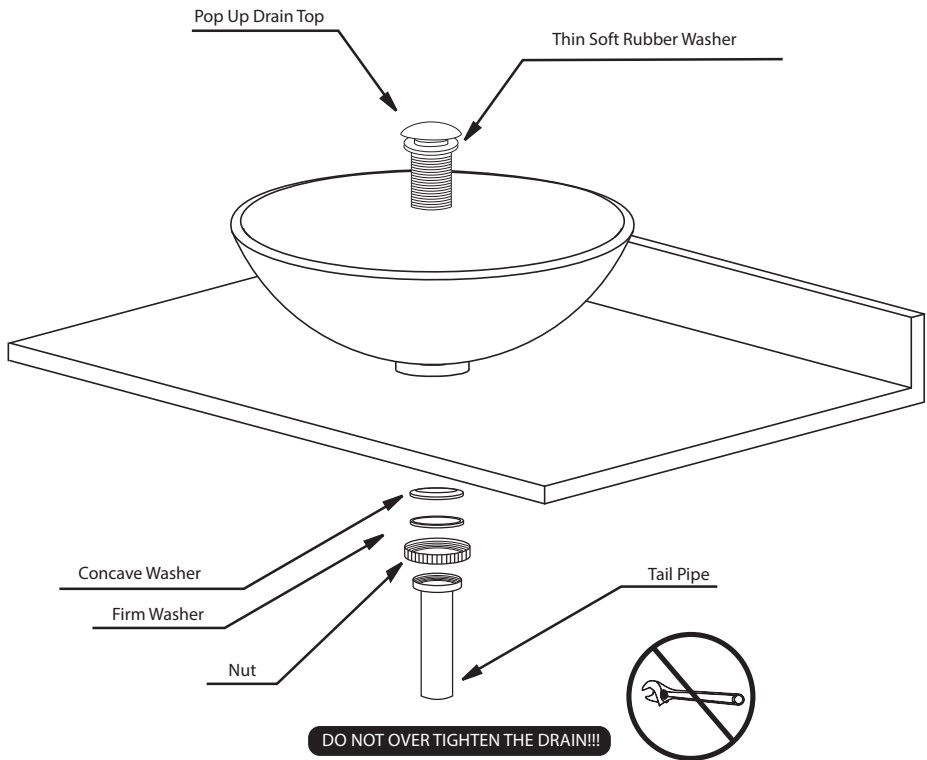
## Pop Up Drain & Mounting Ring Installation

(ONLY IF INCLUDED)



Locate and disassemble your pop up drain in the following order:

- Unscrew the tail piece
- Unscrew the brass nut
- Remove the firm washer
- Remove the concave washer, leaving the top thin rubber washer on.



1. From above the countertop, insert the drain body into the 1 3/4" drain opening of your sink.
2. From underneath the countertop, insert the concave white rubber washer onto the drain.
3. Pushing the washer all the way up until it is in contact with the countertop.
4. Insert the firm washer onto the drain body until it comes into contact with the concave white rubber washer.
5. Screw the brass nut onto the drain body until it touches the firm washer.

## CARE & MAINTANANCE

Kraus glass vessel sinks are hand crafted from the highest quality tempered glass, and are extremely durable and resistant to corrosion. However, despite the durability and strength of our sinks, they may still be damaged if proper measures are not taken in their care and maintenance.

In order to prolong the life of you glass sink, simple daily maintenance is the key to keep your sink in its original condition. We suggest cleaning your sink after each use with a soapy sponge, then rinsing thoroughly with warm water. You may dry it with a towel or a dry cloth. This will eliminate water spots and streaks while the sink is in use.

Do not be alarmed in case you begin to notice stains on your glass sink. They are most often caused by various minerals contained in your water supply. These mineral deposits settle in the surface of the glass and may cause the surface to stain. In order to eliminate stain spots, use a non-abrasive or mild-abrasive cleaner as mentioned earlier. Remember not to apply force while cleaning your glass sink. Do not scrub the glass, as you may scratch the surface of the sink. When finished, rinse thoroughly with warm water and dry with a towel or a soft cloth.

At KrausUSA your satisfaction with quality and durability of our products is extremely important to us. Therefore, we hope that you try to avoid prolonged sink contact with products containing high concentrations of acids, dishwashing detergents, or bleaches containing chlorine. These products may stain the surface of the sink. Rinse thoroughly if these products do come in contact with the sink surface and dry it with a towel or a soft cloth.



## **KRAUS Brand Limited Lifetime Warranty**

If a product fails due to material or craftsmanship error during the warranty period, KRAUS will repair or replace the items at our discretion. We define the warranty period as the length of time that the owner of the product owns the first home where the Kraus product is installed. Warranties are not transferable, between homes or owners and are only applicable to residential use. Commercial use will automatically void the warranty. To make a warranty claim, the original sales receipt must be presented, without exception.

Like other home fixtures, Kraus products will require light maintenance to ensure proper function. We provide you with complete knowledge to perform this maintenance and can also recommend resources if you are unable to perform this service yourself. Kraus will not be responsible for product failures due to lack of maintenance.

Kraus recommends installing all Kraus products by hiring a licensed, professional plumber. We will not be held responsible for any damage or product failure due to improper installation, misuse, or failure to use a licensed professional. Please read your care and maintenance documentation to determine the limits of proper use.

By the purchase and use of our products, you agree that Kraus is not liable for incidental, consequential or special damages associated with the return, replacement, installation or use of your product. This includes freight costs, cartridge replacement, labor, travel time, lost profit, home damages and other contingent liabilities and costs (including, without limitation, costs associated with experts, investigations, analyses, attorneys and other professionals and services). The Kraus warranty is a comprehensive and explicit limit of liability, and all items outside of it are not addressable by, or the responsibility of, Kraus. Certain states have variances regarding implied warranties and in those situations we remain fully compliant. KRAUS USA Inc. makes no implication that products comply with any or all local building or plumbing codes. It is the consumer's responsibility to determine local code compliance. This warranty extends to the original purchaser and first consumer.

---

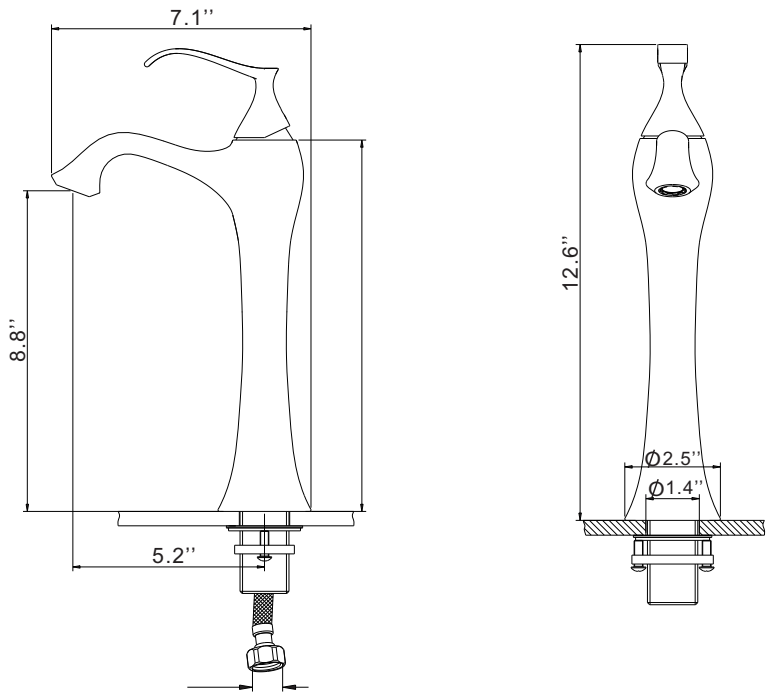
### **HELP LINE**

For additional assistance at any point in the installation process, please call us at 1.800.775.0703 or email us at [info@kraususa.com](mailto:info@kraususa.com)

Our customer service hours are Monday – Friday, 9am – 6pm EST.  
Be sure to visit our website at [www.kraususa.com](http://www.kraususa.com).

Kräus<sup>®</sup>

[www.kraususa.com](http://www.kraususa.com)



**KRAUS BRAND BATHROOM FAUCETS LIMITED LIFETIME WARRANTY**

KRAUS is proud to offer its customers the strongest, most durable ceramic cartridges in all solid brass Bathroom Faucets it manufactures. KRAUS guarantees all products to be free of defect in materials and craftsmanship. All KRAUS BRAND Bathroom Faucets carry a limited lifetime warranty from the original date of purchase.

If a product fails due to defect in material or craftsmanship during the warranty period, KRAUS will repair or replace the items at its sole discretion. Warranty does not apply when the item has been tampered with, misused, improperly installed, altered, or damaged due to abuse or accident. Proof of purchase (original sales receipt) must be provided to KRAUS for all warranty claims. Please contact one of our representatives if you need any additional details.

All KRAUS products must be installed by a licensed professional plumber or contractor to avoid any improper use or installation.

**IN NO EVENT SHALL KRAUS BE LIABLE FOR ANY INCIDENTAL, CONSEQUENTIAL OR SPECIAL DAMAGES, INSTALLATION COST, LABOR, TRAVEL TIME, FREIGHT COSTS INCURRED, LOST PROFITS, OR CONTINGENT LIABILITIES.**

KRAUS USA Inc. makes no representation that its products comply with any or all local building or plumbing codes. It is the consumer's responsibility to determine local code compliance.

This warranty extends to the original purchaser and first consumer.

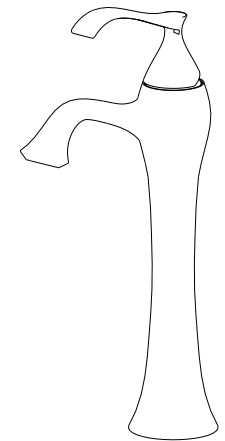


**Exquisite Collection  
Installation Manual**  
Extended single-lever bathroom faucet

Dear Valued Customer,

Kraus would like to take this opportunity to thank you for purchasing Kraus products. It is our sincere hope that you are completely satisfied with your new purchase. We welcome any questions or comments you may have, and look forward to assisting you in the future.

Sincerely,  
Kraus customer service department.

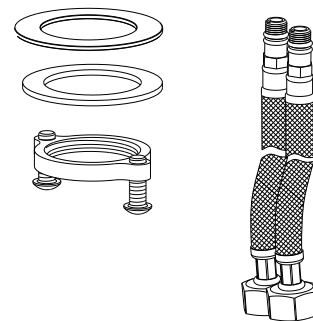


**Before Your Installation**

Check to make sure you have the following parts indicated below:

Model
<b>KEF-15000</b>

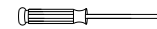
**Tools You Will Need**



Adjustable wrench



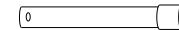
Adjustable wrench



Phillips screwdriver



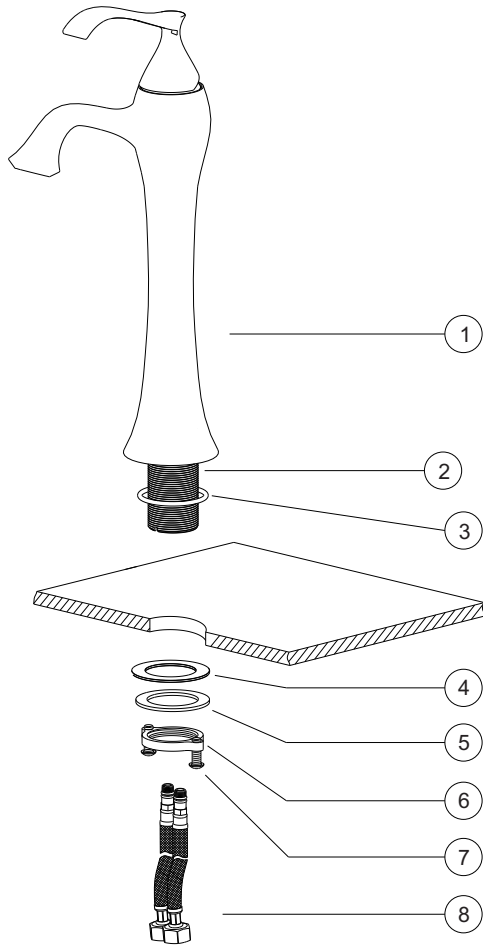
Pipe tape (supplied)



Spanner for body (supplied)

## Replacement Parts

Keep this manual for ordering replacement parts.



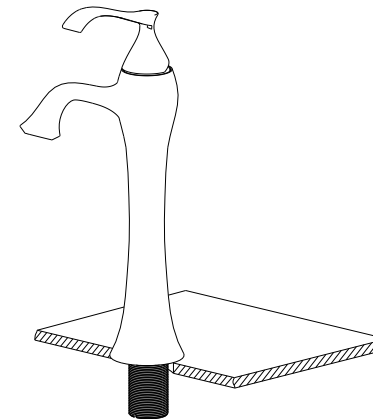
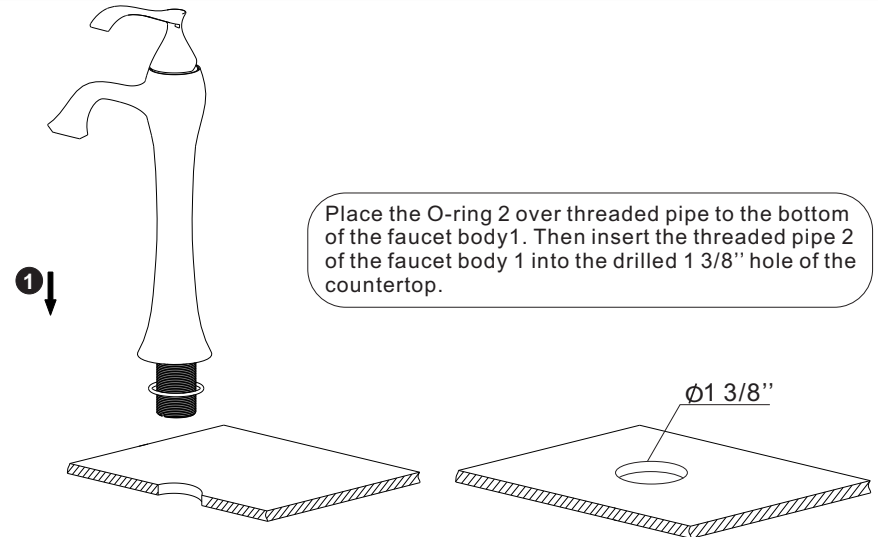
1. Faucet body
2. Threaded pipe
3. O-ring
4. Rubber washer
5. Brass washer
6. Fixing ring
7. Mounting screws
8. Waterlines

## Trouble - Shooting

PROBLEM	CAUSE	ACTION
Leaks underneath handle	Adjusting ring or cap has come loose.	Tighten the adjusting ring or cap.
Aerator leaks or has an inconsistent water flow pattern.	Aerator is dirty or misfitted.	Unscrew the aerator to check rubber packing or replace the aerator.
Water will not shut off completely.	Dirty or worn out plastic washer in the cartridge.	Remove handle and cartridge to check if ceramic disk is damage permanently or dirty. Re-install cartridge.

Contact Us Toll-Free at 1-800-775-0703; or visit our website at [www.kraususa.com](http://www.kraususa.com) ©2008-2011 Kraus USA Inc.

## Installation



Insert the rubber washer 4 and brass washer 5 on to the threaded pipe 3, then screw the fixing ring 6. After place faucet body 1 correctly and tighten the mounting screws 7. Screw waterlines 8 into the corresponding screw-hole of faucet body 1.

Contact Us Toll-Free at 1-800-775-0703; or visit our website at [www.kraususa.com](http://www.kraususa.com) ©2008-2011 Kraus USA Inc.