



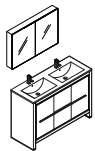
# FVN8148HA-D ALLIER

Rio

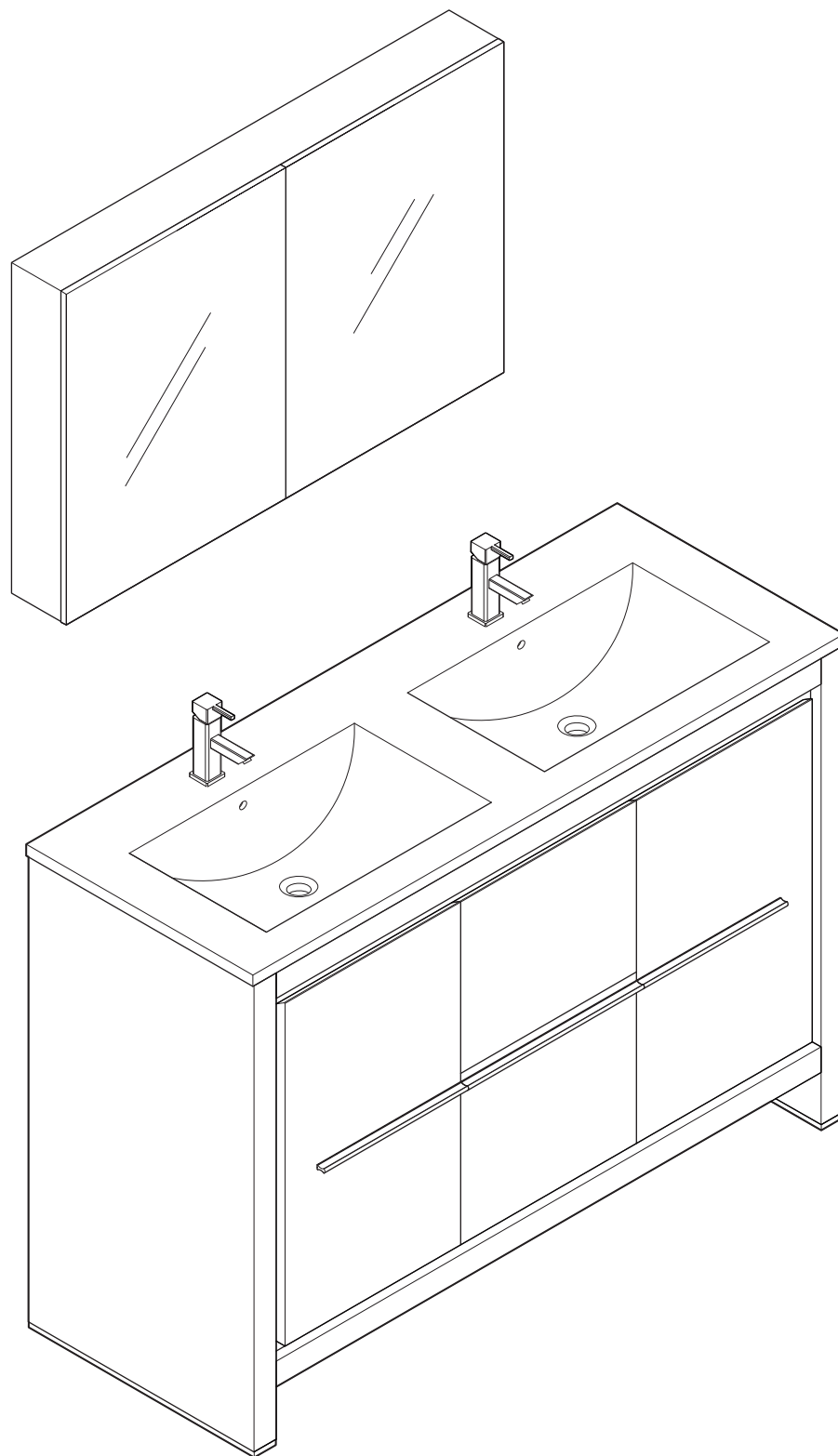
## INSTALLATION GUIDE

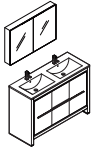
### CONTENTS:

Cabinet.....	(FCB8148HA-D).....	PAGE 4
Sink.....	(FVS8148WH-D).....	PAGE 4
Medicine Cabinet.....	(FMC8010).....	PAGE 3



# FVN8148HA-D ALLIER *Rio* INSTALLATION GUIDE





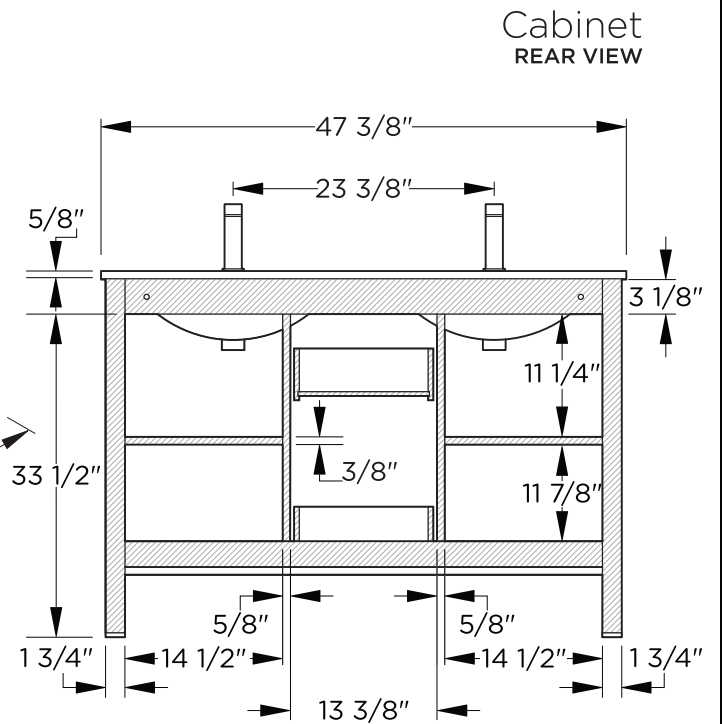
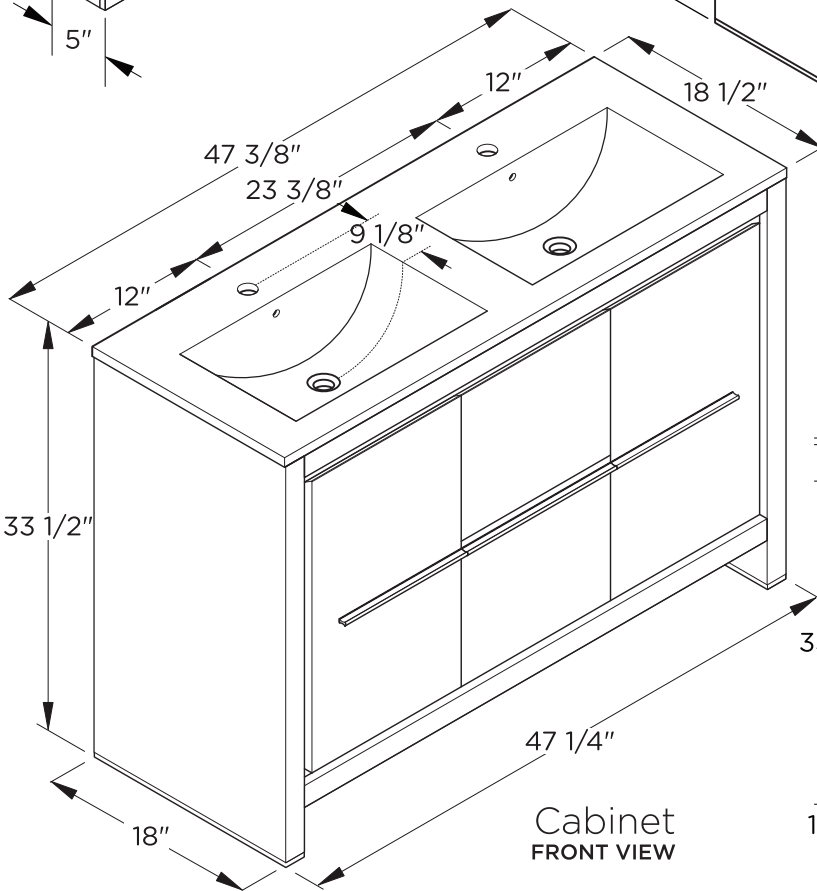
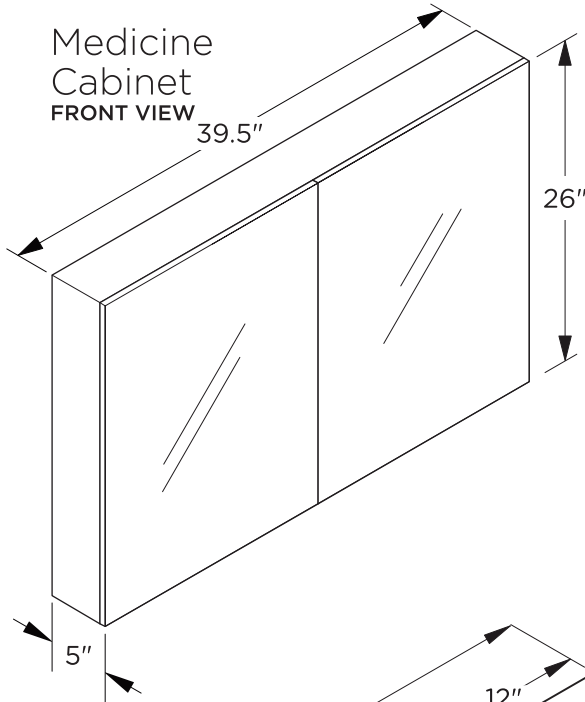
# FVN8148HA-D

## ALLIER *Rio*

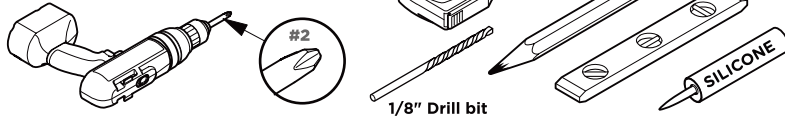
### INSTALLATION GUIDE



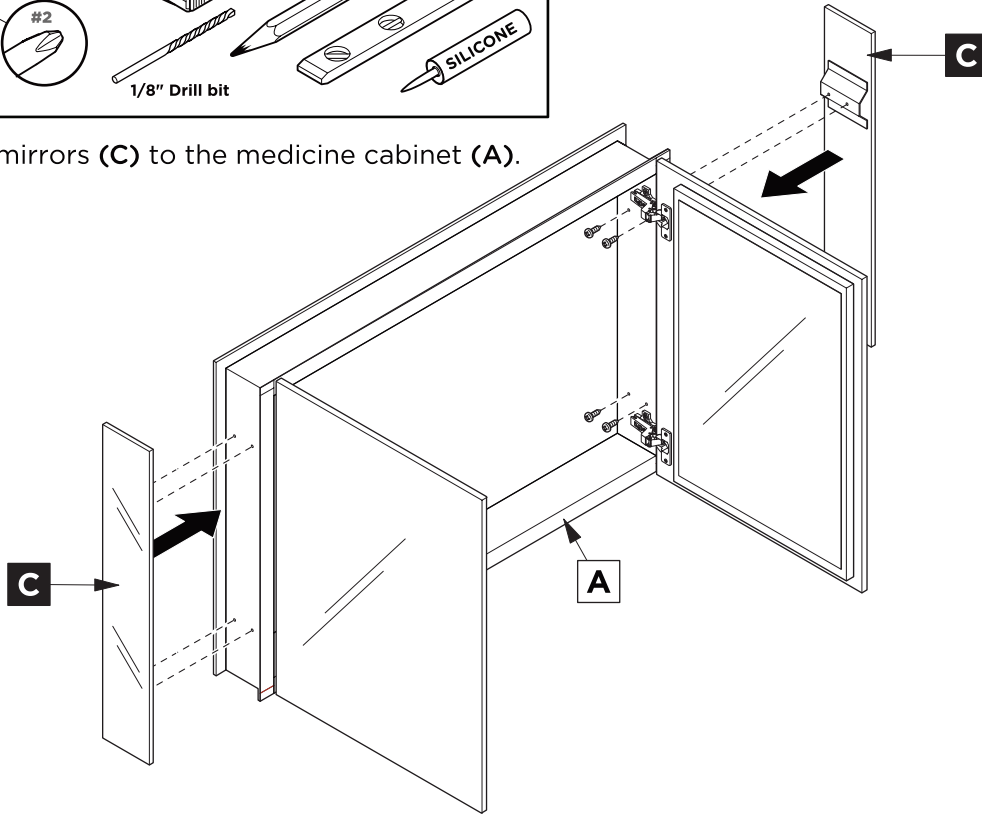
## DIMENSIONS



**NOTE:** ALL DIMENSIONS & SPECIFICATIONS ARE APPROXIMATE AND SUBJECT TO CHANGE WITHOUT NOTICE.

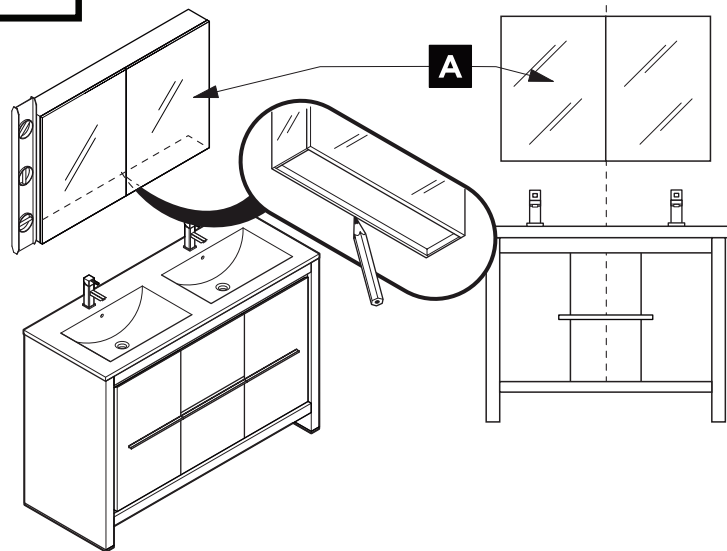


**1** Attach side mirrors (C) to the medicine cabinet (A).



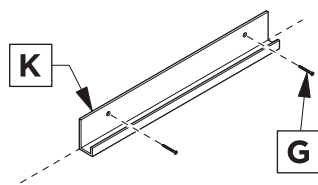
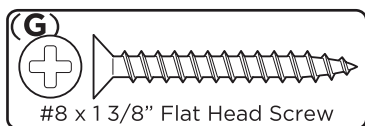
**2** Mark cabinet's (A) location.

CENTERLINE

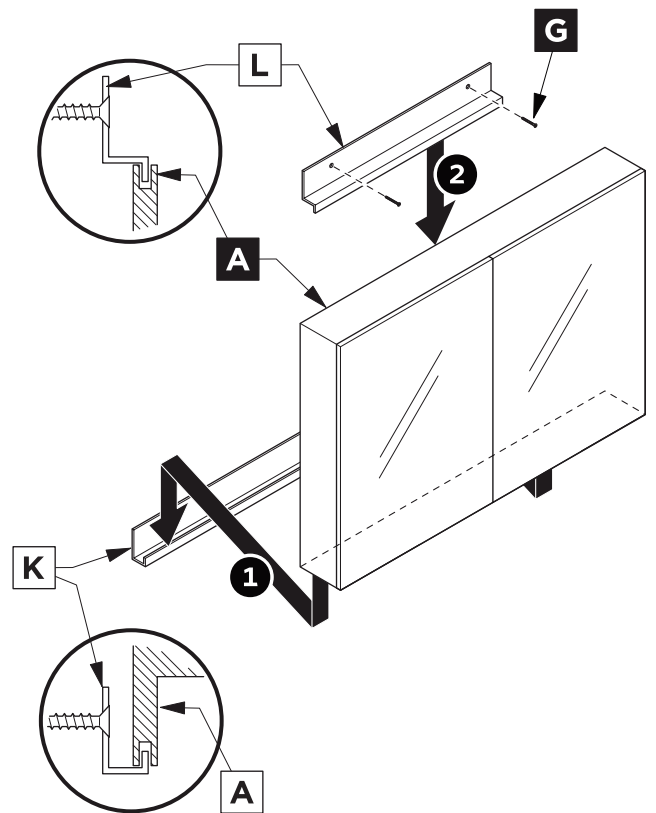


**3** Install a bottom bracket (K).

**IMPORTANT:** Consult an expert for the proper screws/bolts to use when attaching to various constructions. Screws provided **do not** attach to all wall construction types. Anchors are not required if brackets are installed in stud.



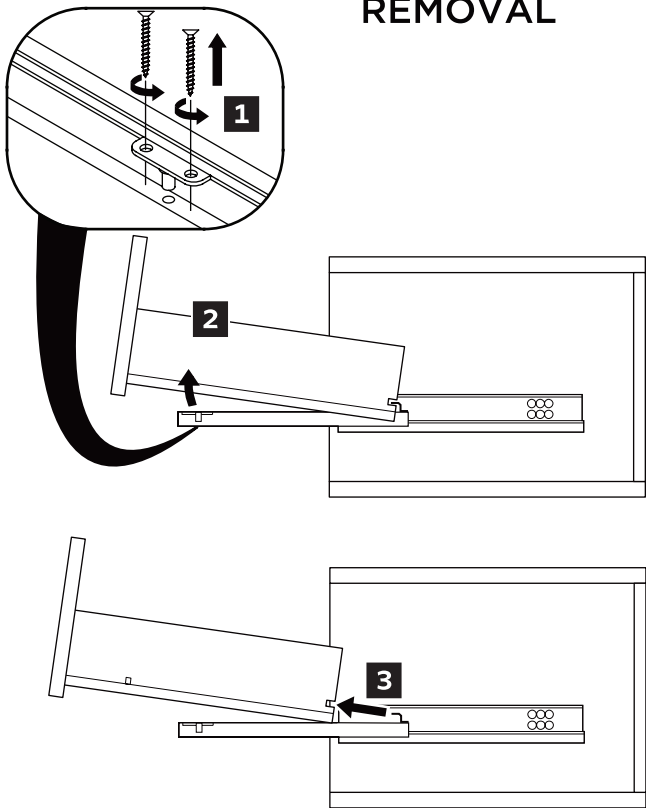
**4** \* Place cabinet (A) on the bottom bracket (K) and secure it with a top bracket (L).



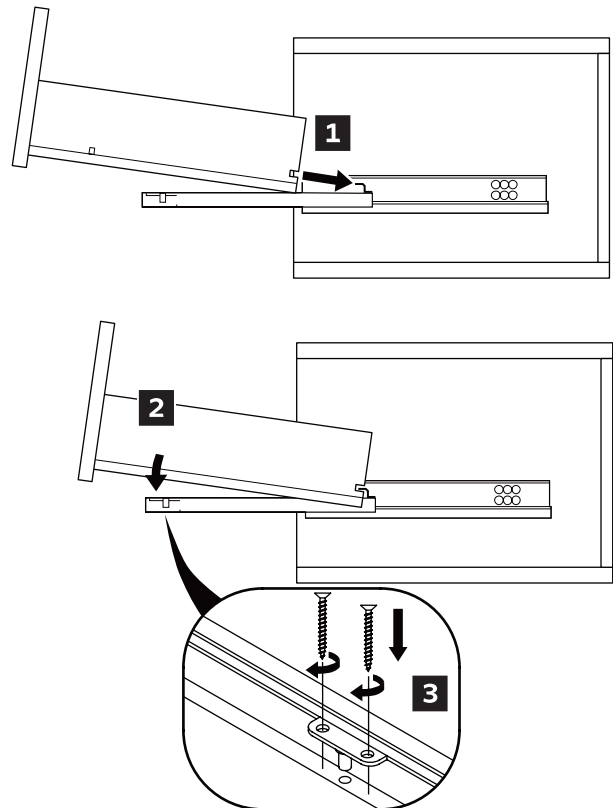
\*This step requires assistance to hold cabinet in place until top bracket is securely attached.

# DRAWER REMOVAL & INSTALLATION

## REMOVAL



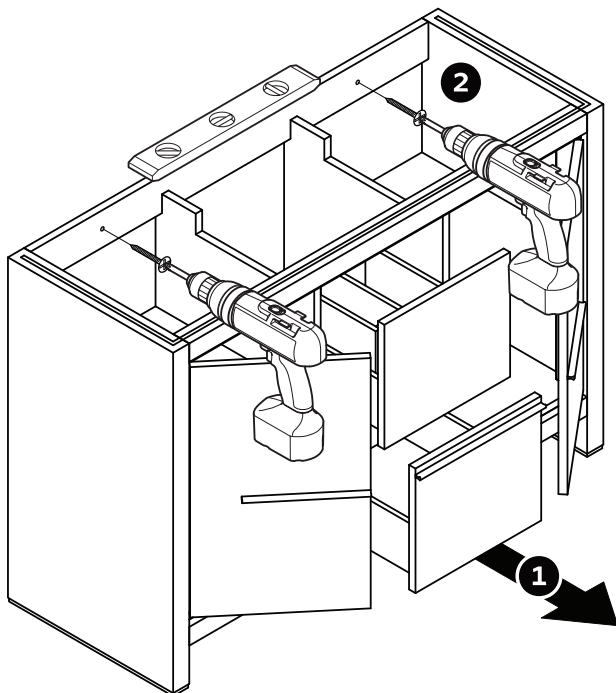
## INSTALLATION



# CABINET/SINK INSTALLATION

**1**

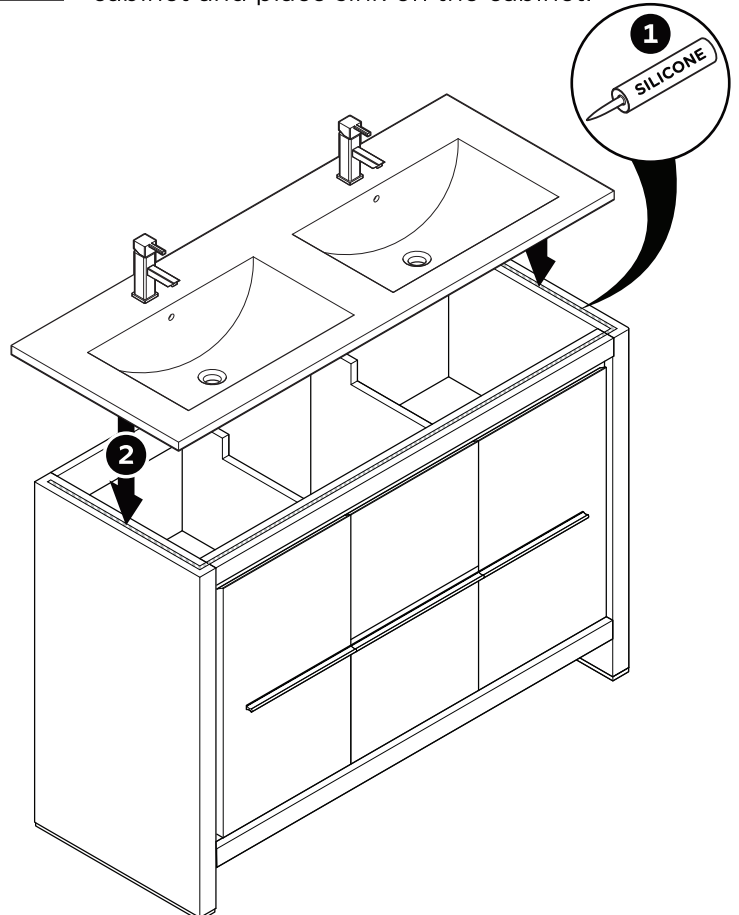
1. Remove drawer and open the door for the ease of access.
2. Attach cabinet to the wall using level and drill.



**IMPORTANT:** Consult an expert for the proper screws/bolts to use when attaching to various constructions. Screws provided do not attach to all wall construction types. Anchors are not required if brackets are installed in stud.

**2**

- Apply a bead of silicone on the top of the cabinet and place sink on the cabinet.



**FVN8148HA-D**

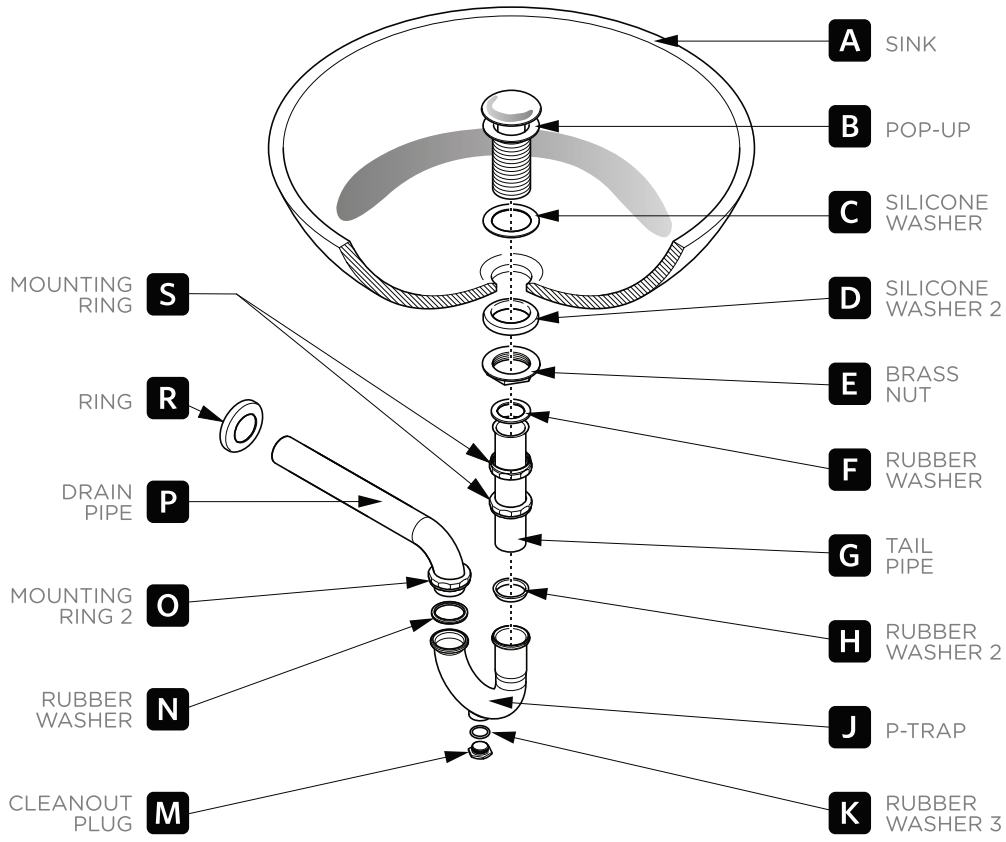
**ALLIER RIO**

**INSTALLATION GUIDE**

PAGE 4

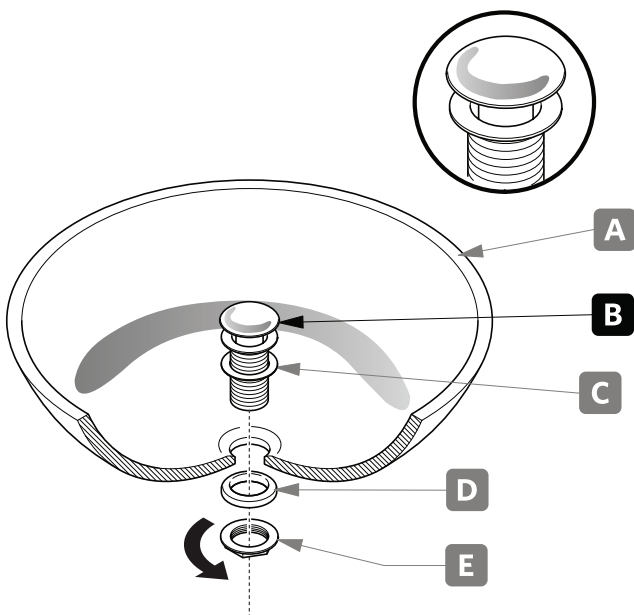
# P-TRAP & POP-UP INSTALLATION INSTRUCTIONS

Your item may appear slightly different from the illustration.



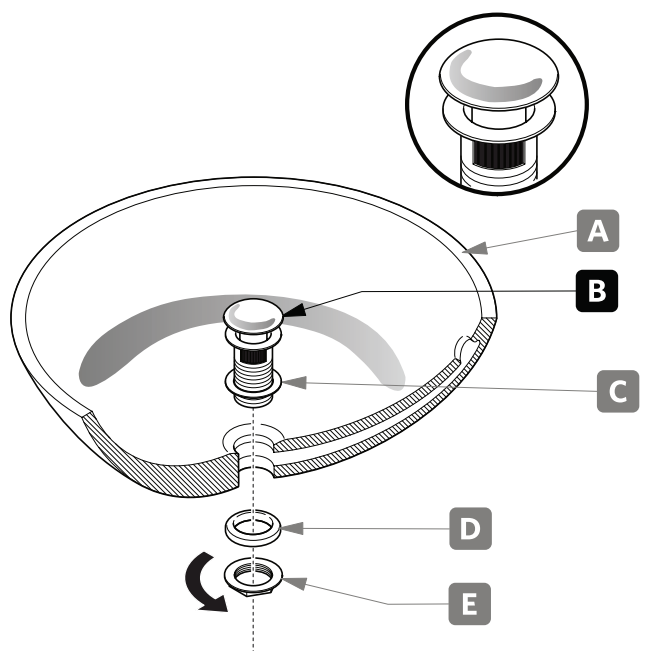
## POP-UP INSTALLATION INSTRUCTIONS

**FOR SINKS**  
WITHOUT OVERFLOW



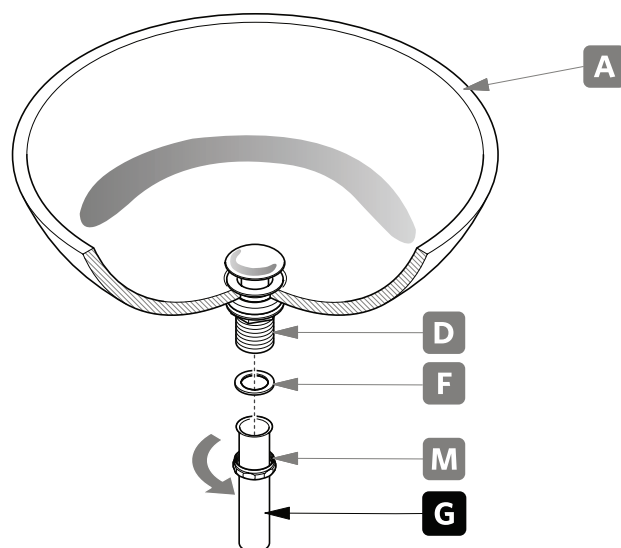
OR

**FOR SINKS**  
WITH OVERFLOW



# P-TRAP INSTALLATION

**1** Install Tail Pipe (G).



**2** Install P-Trap (J).

