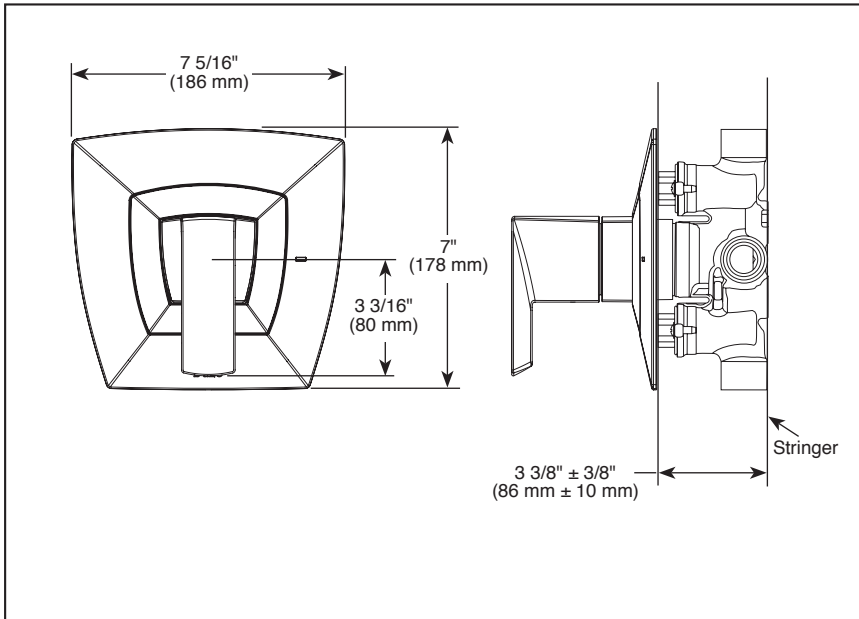


# BRIZO® SENSORI® THERMOSTATIC VALVE TRIM

■ Vettis™ Collection

Submitted Model No.: \_\_\_\_\_

Specific Features: \_\_\_\_\_



## STANDARD SPECIFICATIONS

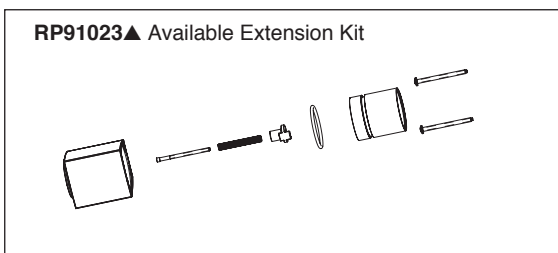
- Sensori® thermostatic control
- Must also order R66000-WS rough valve body
- Includes Sensori® thermostatic cartridge
- Thermostatic wax element maintains the outlet temp to +/- 3.6° F
- Handle controls temperature only; must be used with one or more Sensori® volume controls
- Red/blue temperature markings
- Field adjustable to limit rotation into hot water zone
- All parts are replaceable from the front of the valve
- Optional extension kit RP91023▲ can accommodate up to an additional 1 3/4" of wall thickness

## WARRANTY

- Lifetime limited warranty on parts (other than electronic parts and batteries) and finishes: or, for commercial users, for 5 years from date of purchase.
- 5 year limited warranty on electronic parts (other than batteries); or, for commercial users, for 1 year from the date of purchase. No warranty is provided on batteries.

## COMPLETE VALVE COMPLIES WITH:

- ASME A112.18.1 / CSA B125.1
- Indicates compliance to ICC/ANSI A117.1
- ASSE 1016 Type T



▲ Designate proper finish suffix