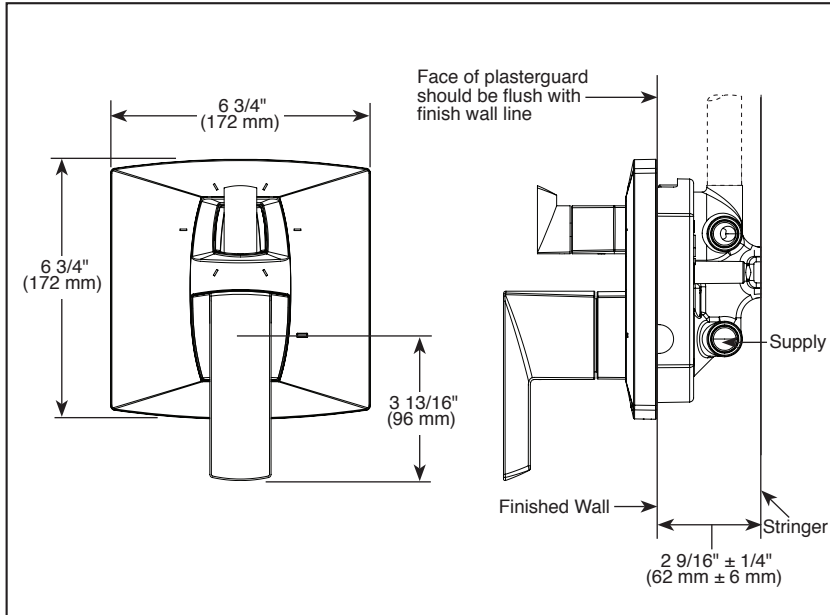
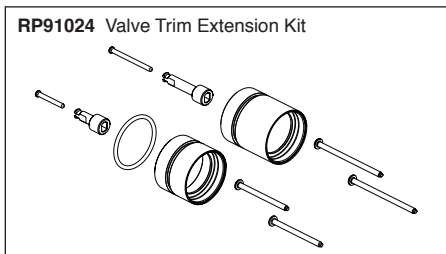


Submitted Model No.: _____

Specific Features: _____



▲ Designate Proper Finish Suffix



BRIZO®

PRESSURE BALANCE VALVE TRIM WITH INTEGRATED DIVERTER

- Vettis™ Bath Collection
- Valve Trim with Three Function Diverter (T75P588)
- Valve Trim with Six Function Diverter (T75P688)

STANDARD SPECIFICATIONS:

- Maintains a balanced pressure of hot and cold water even when a valve is turned on or off elsewhere in the system
- For use with MultiChoice® Universal integrated shower diverter rough valve body (R75000 Series)
- Back-to-back installation capability
- Top handle controls diverter functions
- Bottom handle controls on/off and temperature
- Field adjustable to limit bottom handle rotation into hot water zone
- Bottom handle 120° Maximum rotation
- Red/Blue temperature markings
- Three function diverter has 2 individual positions and 1 shared position
- For two individual functions, no shared functions, order additional RP72123
- Six function diverter has 3 individual positions and 3 shared positions
- For three individual functions, no shared functions, order additional RP72124
- 1/2" rough-in
- Cartridges included
- Standard installation allows up to 1-1/8" finished wall thickness
- For thick wall installations, RP91024 AND RP92548 can be ordered to allow for up to 2-1/8" finished wall thickness. Both RP kits required.
- Not recommended for tub spout applications

WARRANTY

- Lifetime limited warranty on parts (other than electronic parts and batteries) and finishes; or, for commercial users, for 5 years from date of purchase.
- 5 year limited warranty on electronic parts (other than batteries); or, for commercial users, for 1 year from the date of purchase. No warranty is provided on batteries.

COMPLIES WITH:

- ASME A112.18.1 / CSA B125.1
- Indicates compliance to ICC/ANSI A117.1

Maximum Flow Rate Guide

Rough	Cartridge	Outlet	40 psi	60 psi	80 psi
R75000	Pressure Balance	Shower	4.1 gpm	5.0 gpm	5.8 gpm
R75000-WS	Pressure Balance	Shower	3.9 gpm	4.8 gpm	5.6 gpm

Based on 6 Setting Diverter