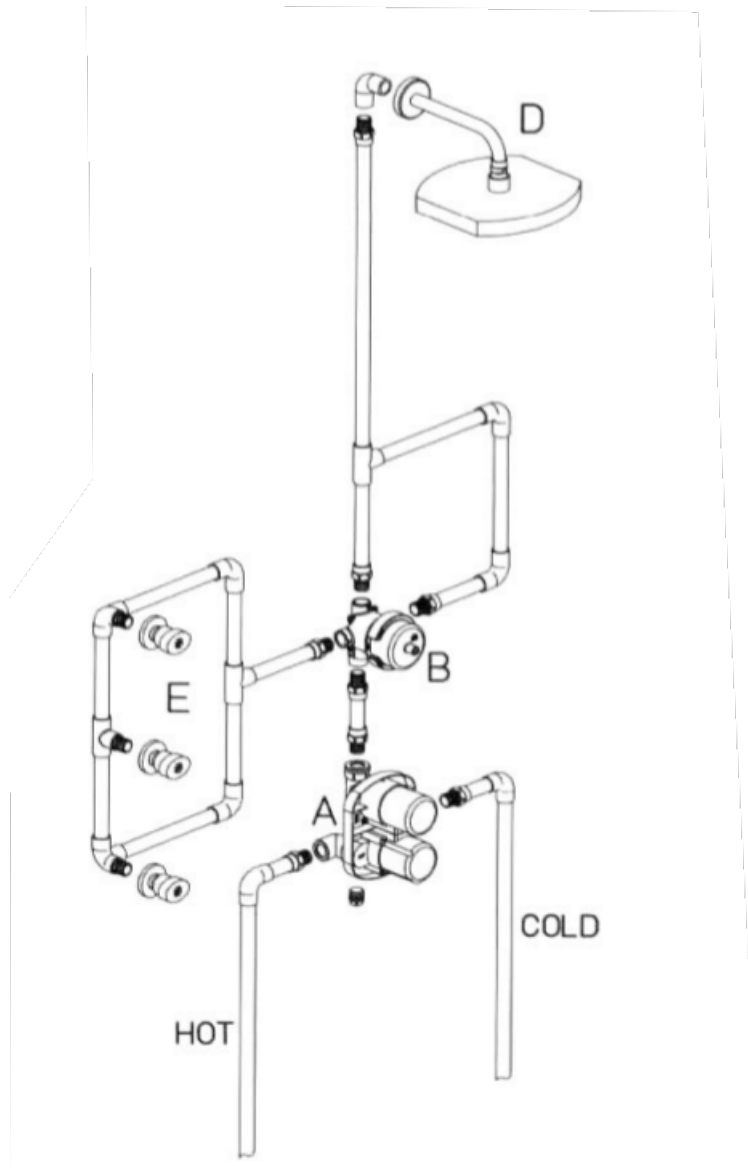


# LADY OPTION 4



Lady thermostatic valve with  $\frac{3}{4}$ "  
ceramic disk volume control  
8" rain shower head with 12" arm  
3-way diverter  
3 body jets

# Lady Series

## Shower Option 4

### Transitional Styling

#### STANDARDS

- Compliant with ASME A112.18.1-B125.1
- Compliant with AB1953
- Compliant with ANSI NSF61 – Annex G
- Certified by CSA International
- Compliant with ANSI A117.1

#### *Finishes*

	LADY OPTION 4 CR	LADY OPTION 4 PW	LADY OPTION 4 OK
Polished Chrome	X		
Brushed Nickel		X	
Satin Gold			X

#### *Features*

	LADY OPTION 4 CR	LADY OPTION 4 PW	LADY OPTION 4 OK
Solid Brass Construction	X	X	X
Meets NSF61/9 Annex G Lead Requirements	X	X	X
ADA Compliant	X	X	X
Step-By-Step Installation Instructions	X	X	X
Limited Lifetime Warranty	X	X	X
2.0 GPM	X	X	X
1/2" Inlet Connections	X	X	X



1-866-668-6690  
 1571 MAIN RD  
 NEWFIELD, NJ 08344

[www.paini-usa.com](http://www.paini-usa.com)

