



SET OF HOT & COLD 1/2" SIDEVALVES

Vincent (Transitional Bath)

A1011LV*

FEATURES

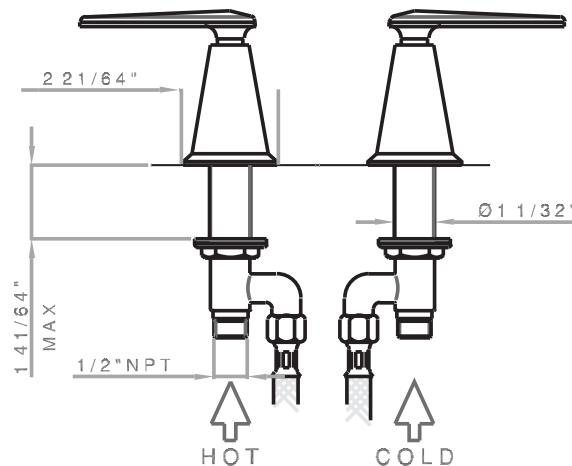
- For lavatory or replacement bidet sidevalves
- 1/2" sidevalves
- 2 x 1 3/8" cutouts
- 1/4-turn ceramic valves

COLORS/FINISHES

- Polished Chrome
- Polished Nickel
- Satin Nickel

WARRANTY

- Limited Lifetime



* For CA/VT, place a "-2" at end of model number for code compliant product. (Example A3608LMAPC-2)

Consult your local ROHL showroom for additional information and specifications. For complete warranty details and a list of showrooms, go to www.rohlhome.com.

A1011LV Spare Parts

