



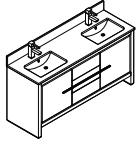
FVN8119

ALLIER

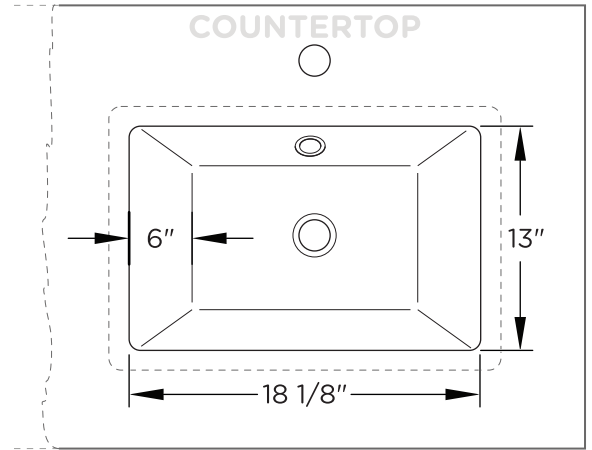
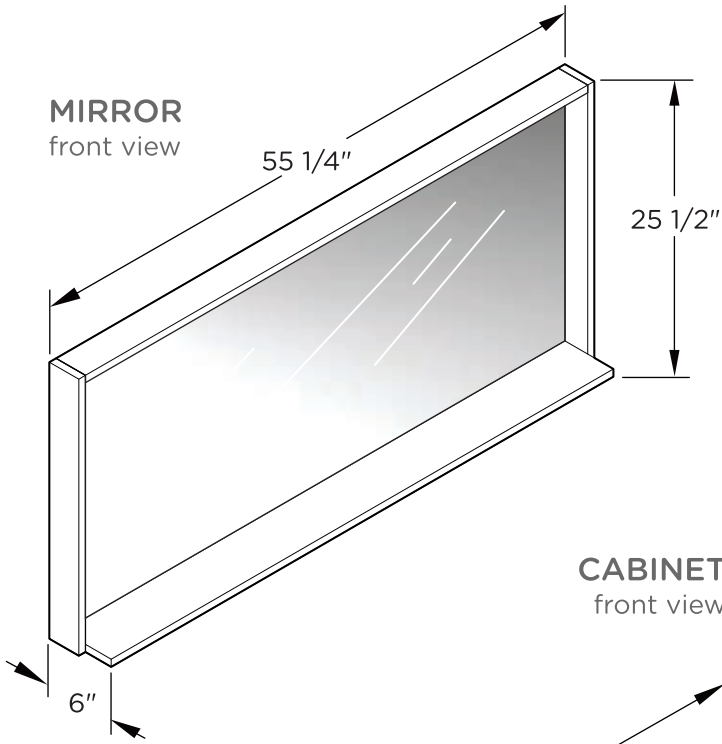
INSTALLATION GUIDE

CONTENTS:

Cabinet.....(FCB8119)	PAGE 3
Sink.....(FVS8119)	PAGE 3
Mirror.....(FMR8119)	PAGE 2
Countertop.....(FCT8119)	PAGE 4

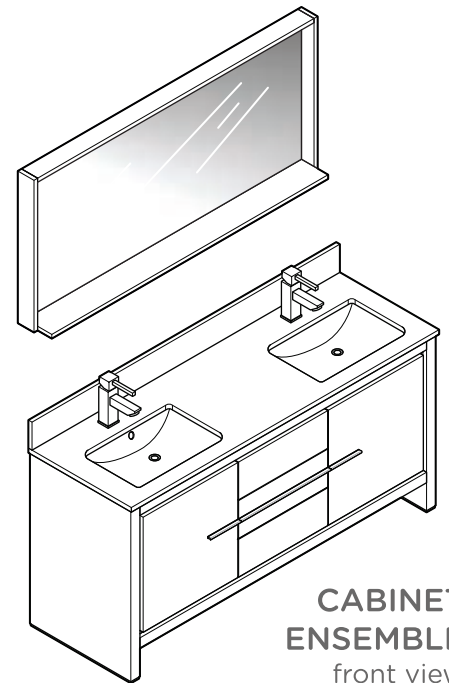
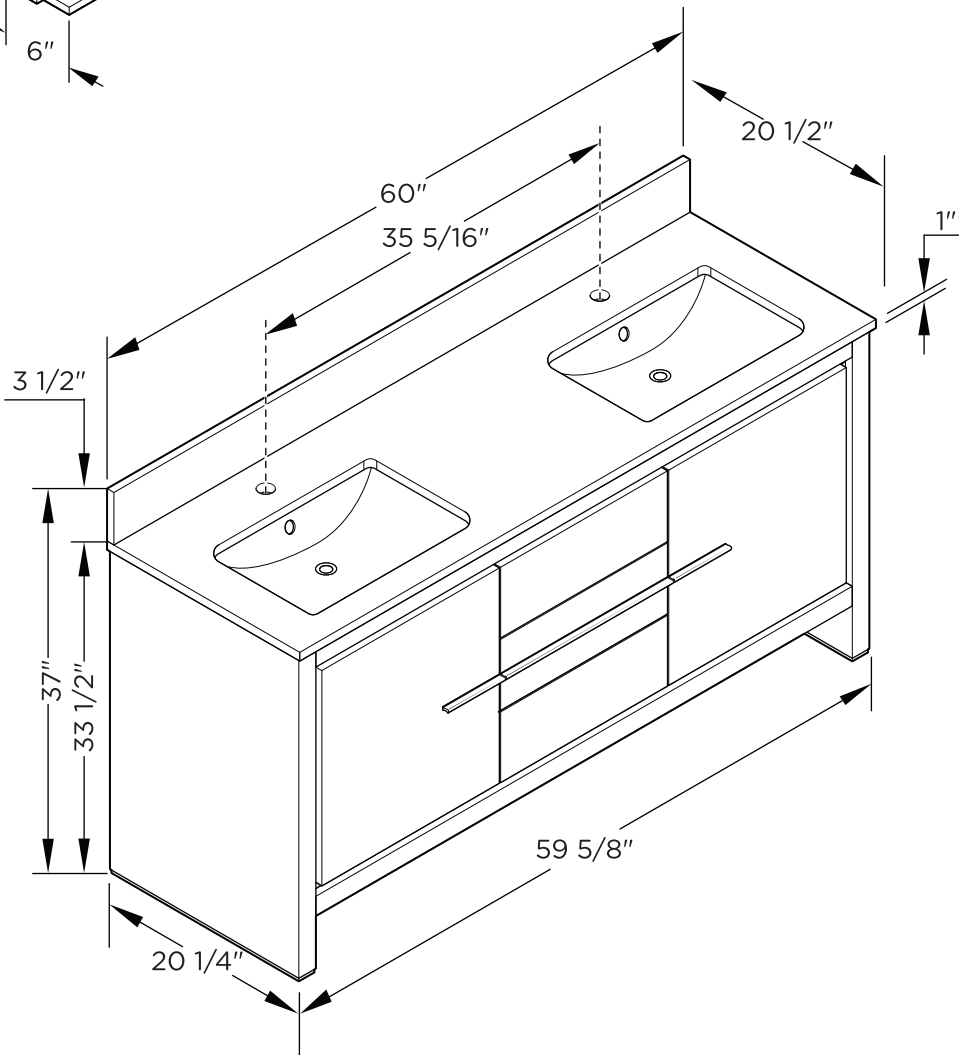


FVN8119
ALLIER
INSTALLATION GUIDE



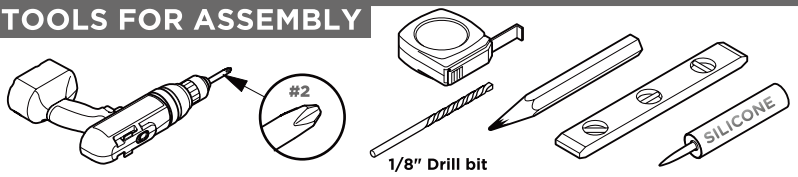
SINK
top view

CABINET
front view

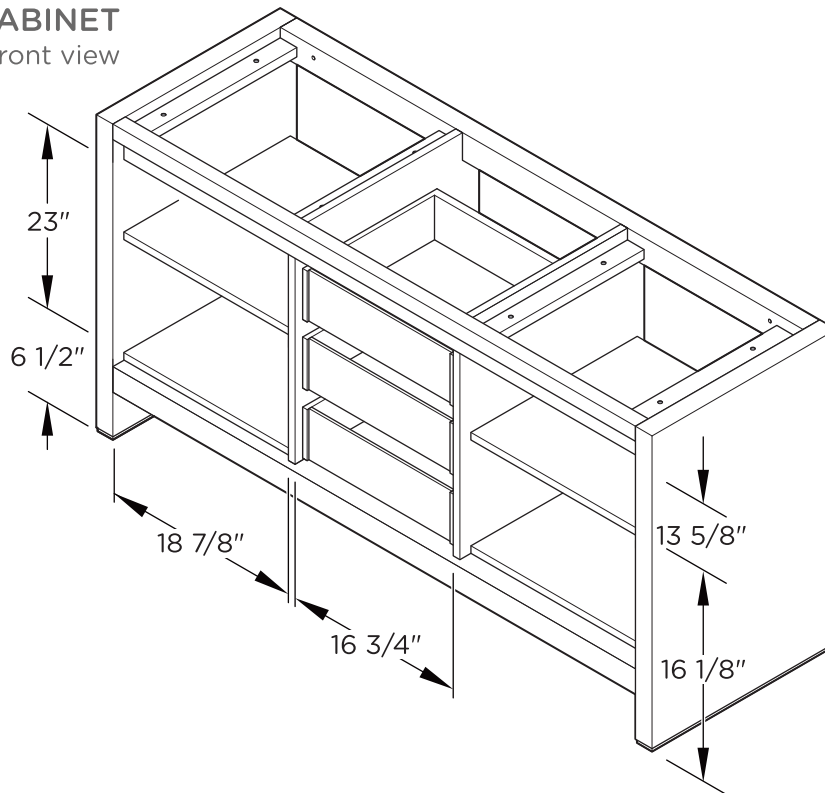


NOTE: ALL DIMENSIONS & SPECIFICATIONS ARE APPROXIMATE AND SUBJECT TO CHANGE WITHOUT NOTICE.

TOOLS FOR ASSEMBLY

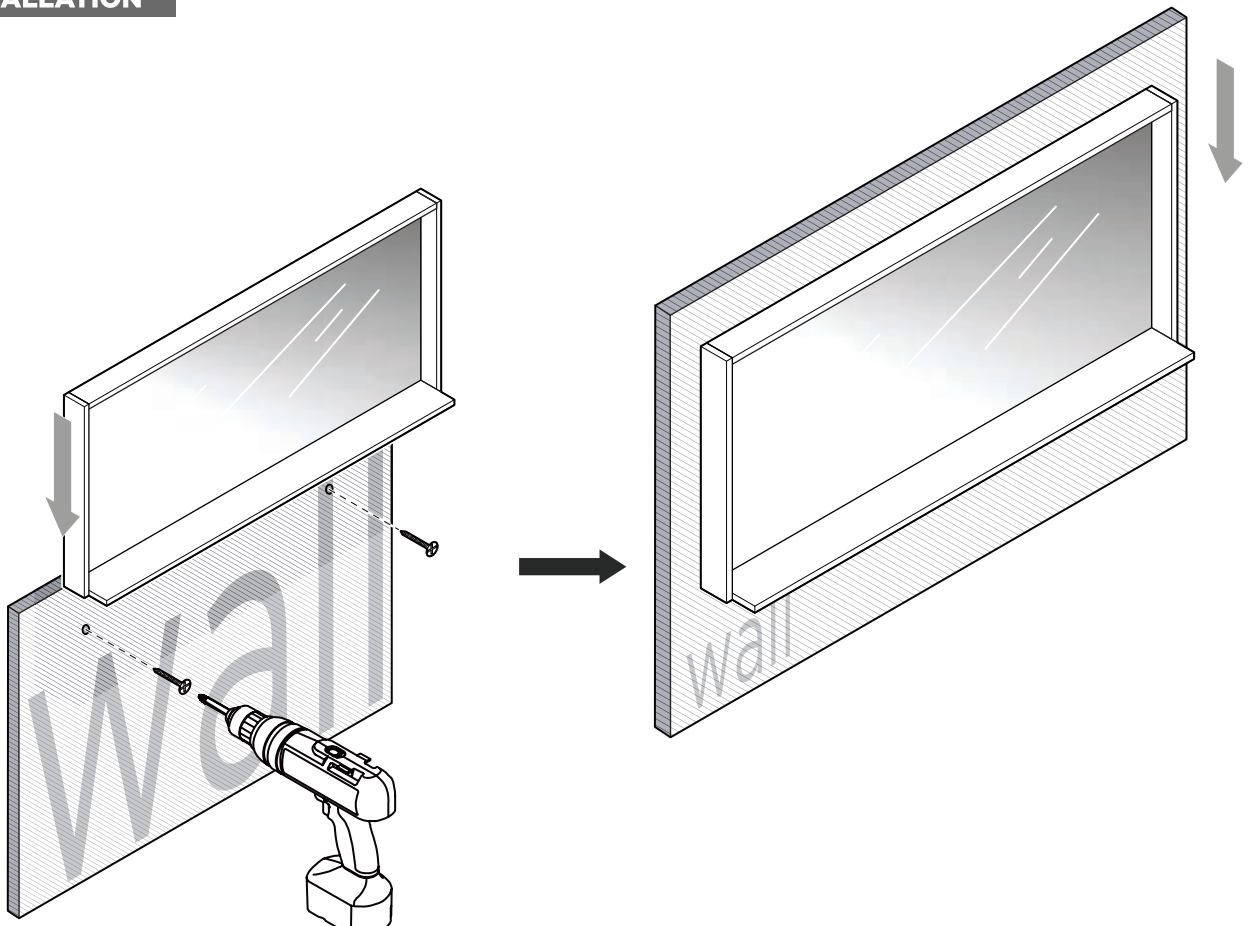


CABINET front view



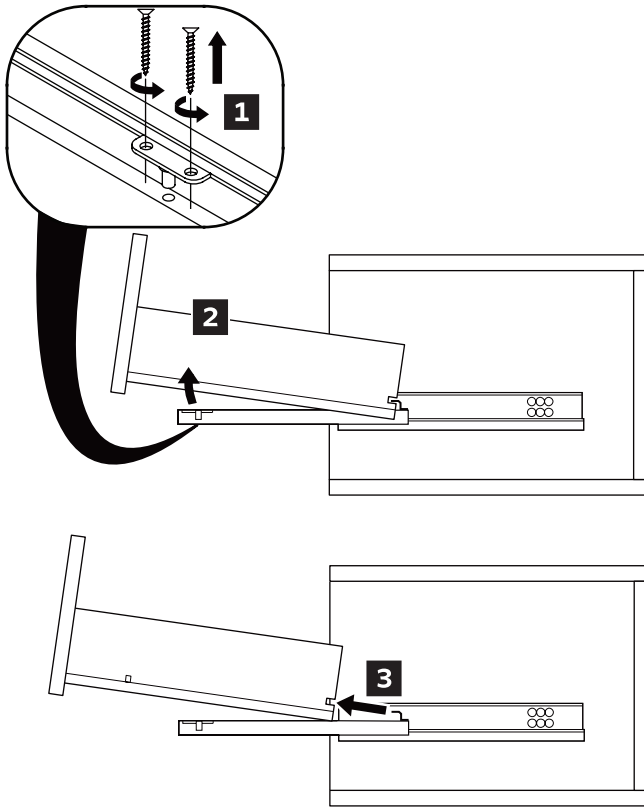
NOTE: ALL DIMENSIONS & SPECIFICATIONS ARE APPROXIMATE AND SUBJECT TO CHANGE WITHOUT NOTICE.

MIRROR INSTALLATION

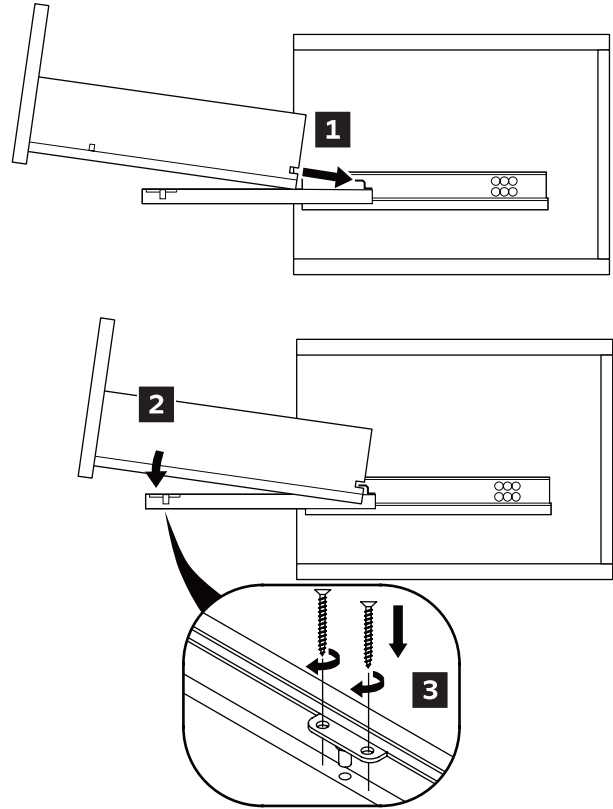


DRAWER REMOVAL & INSTALLATION

REMOVAL



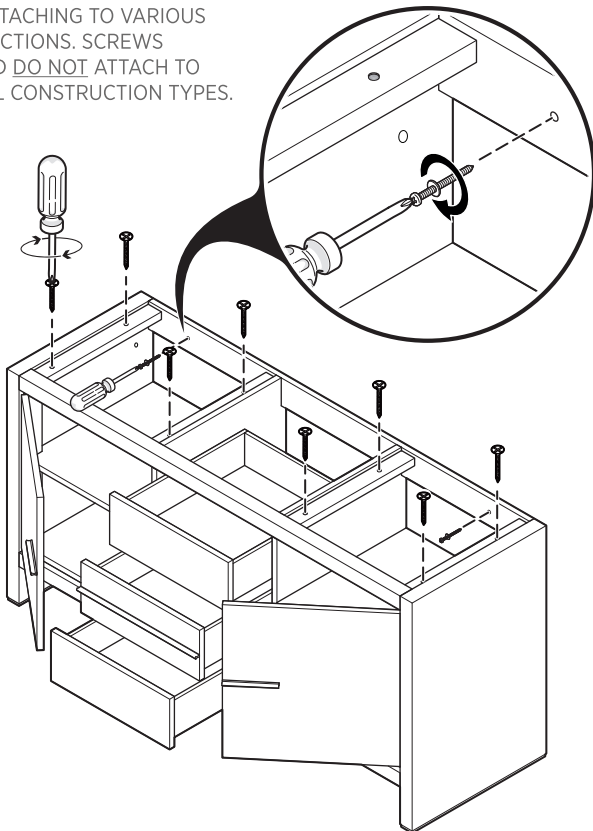
INSTALLATION



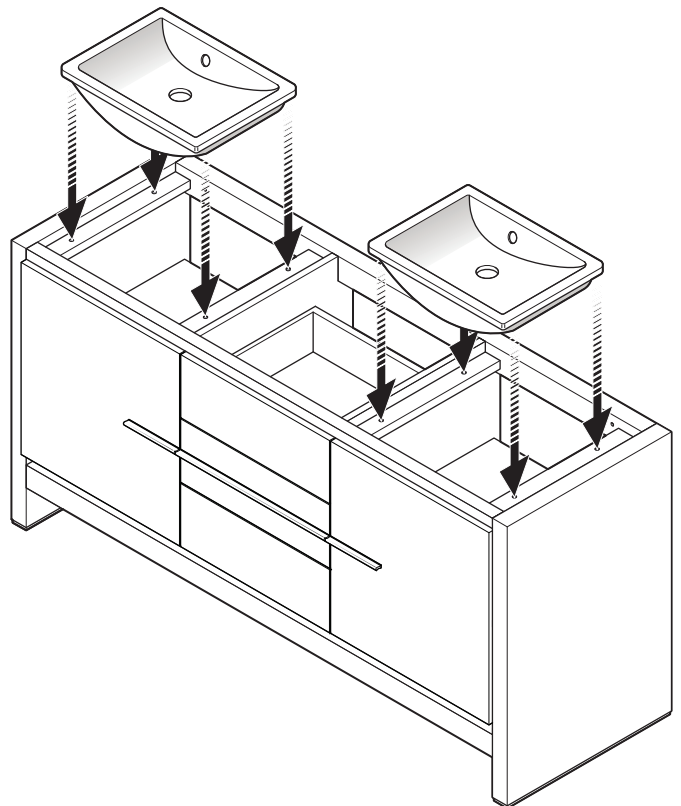
1 Attach screws with the screwdriver

IMPORTANT:

CONSULT AN EXPERT FOR THE PROPER SCREWS/BOLTS TO USE WHEN ATTACHING TO VARIOUS CONSTRUCTIONS. SCREWS PROVIDED DO NOT ATTACH TO ALL WALL CONSTRUCTION TYPES.

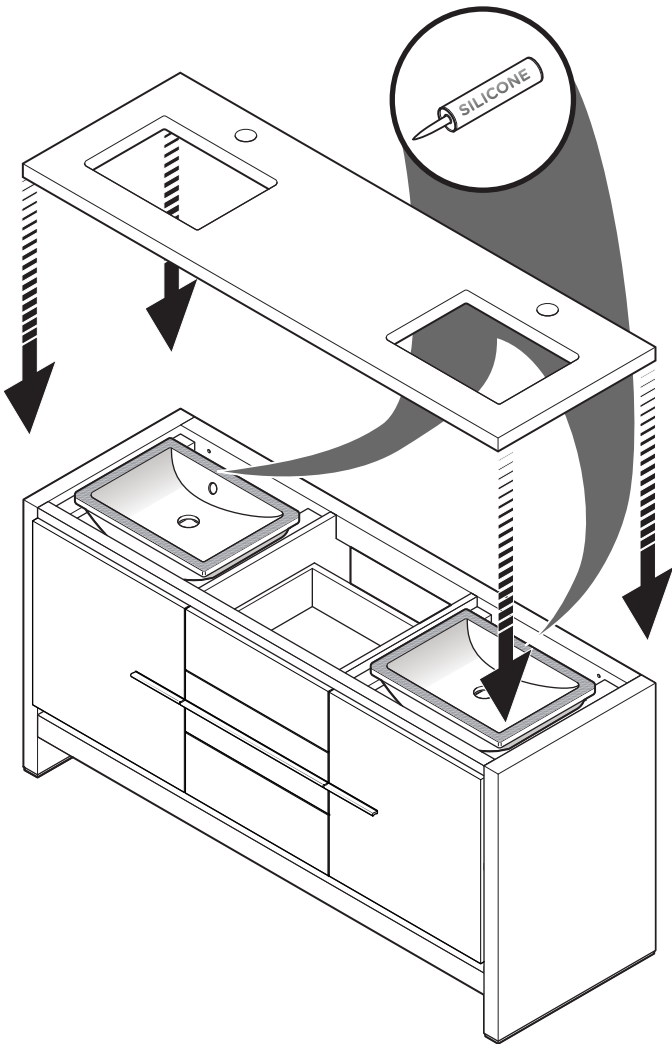


2 Install both sinks



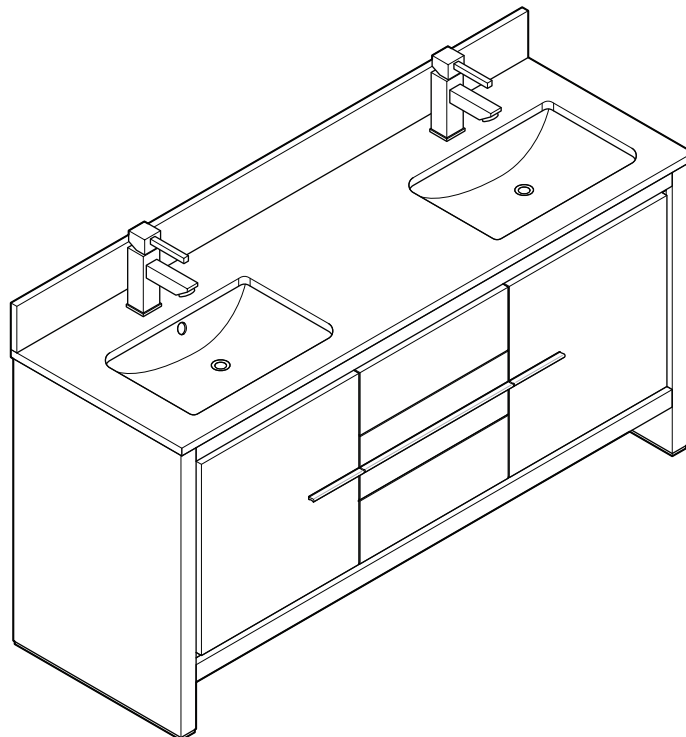
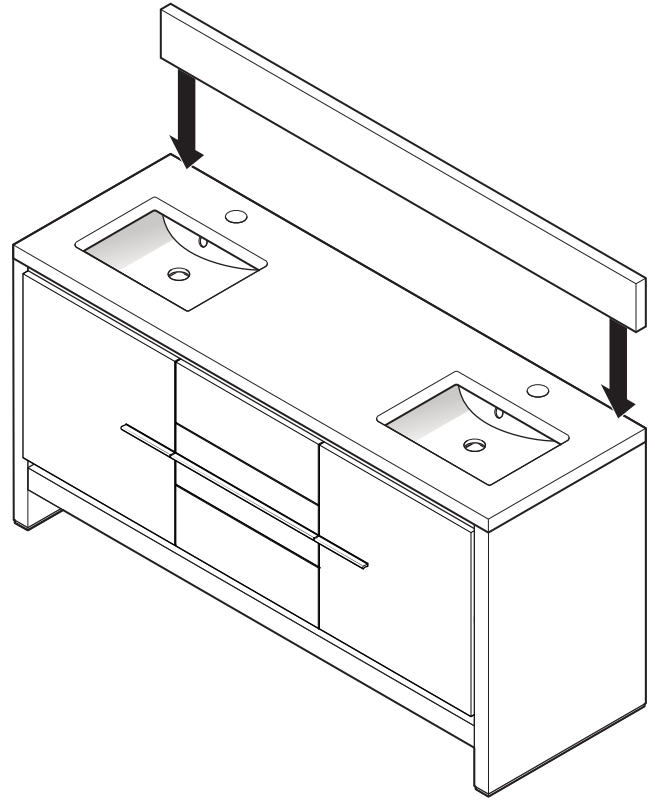
3

Apply silicone and install countertop



4

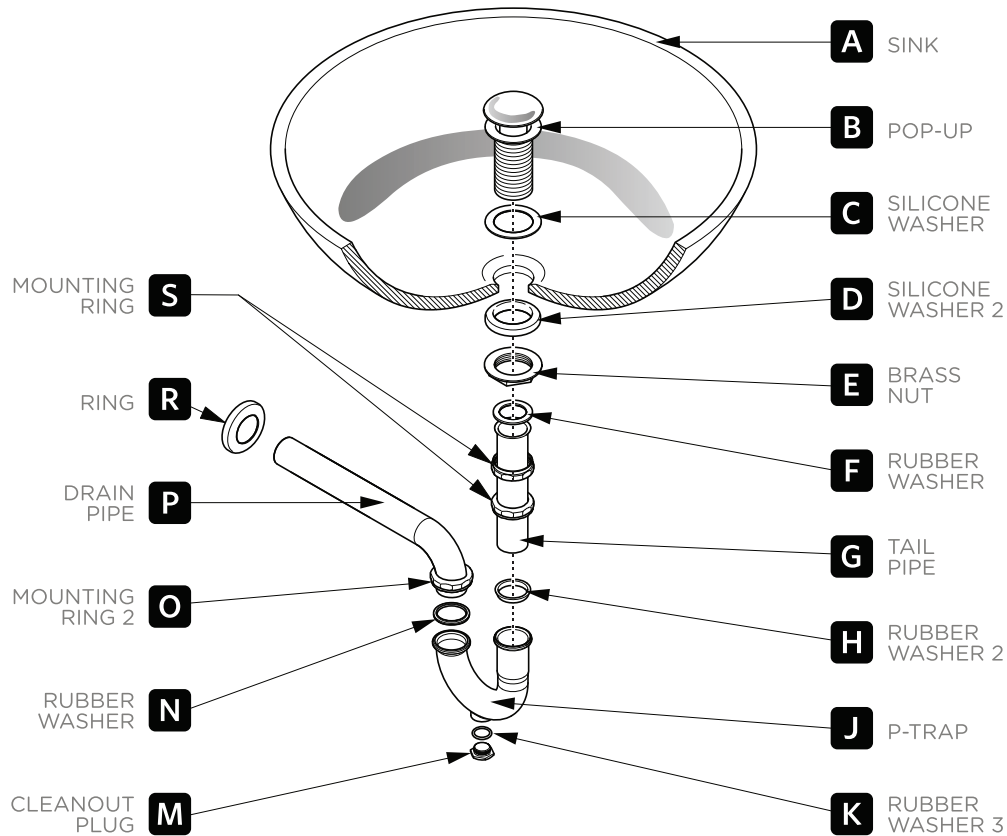
Install backsplash



P-TRAP & POP-UP

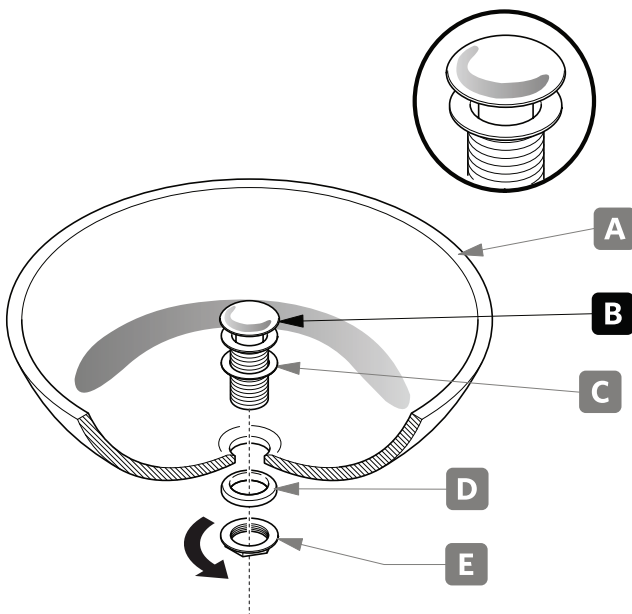
INSTALLATION INSTRUCTIONS

Your item may appear slightly different from the illustration.



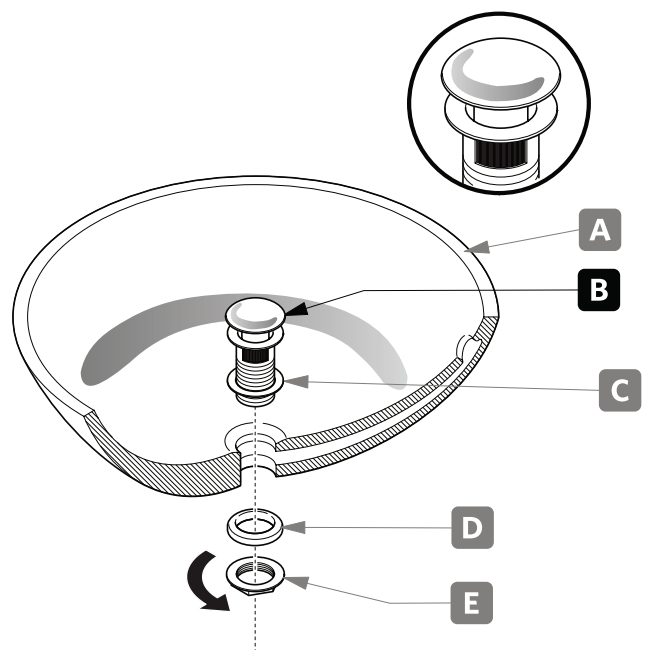
POP-UP INSTALLATION

FOR SINKS WITHOUT OVERFLOW



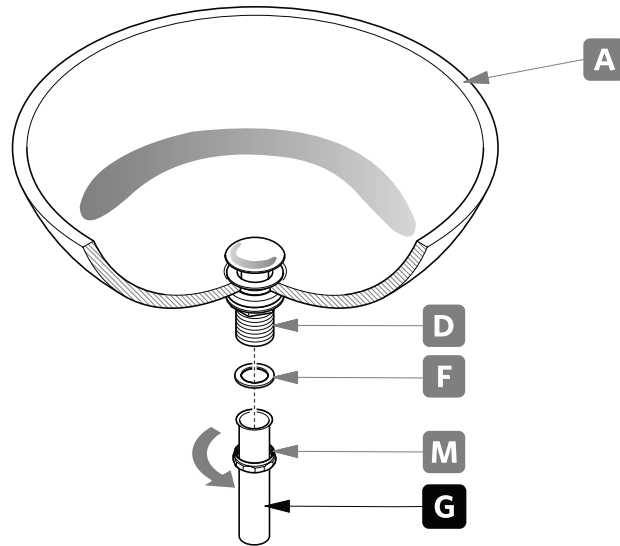
OR

FOR SINKS WITH OVERFLOW



P-TRAP INSTALLATION

1 Install tail pipe (G).



2 Install P-trap (J).

