

TOTO®

CST416M

Aquia® II Close Coupled Toilet, 1.6GPF & 0.9GPF

FEATURES

- Dual-Max® flushing system
- Close coupled elongated front bowl and tank set, less seat
- Chrome push-button style dual flush option
- Concealed trapway

MODELS

- CST416M

COMPONENTS

- CT416 - Elongated Front Bowl
- ST416M - Tank and Cover only
- SS114 SoftClose® seat (sold separately)
- SS154 SoftClose seat (sold separately)
- SS204 SoftClose seat (sold separately)
- THU9090R Washlet® Adapter Hose Kit (Required for Washlet installation)

COLORS/FINISHES

- Standard
 - #01 Cotton
 - #03 Bone
 - #11 Colonial White
 - #12 Sedona Beige
 - #51 Ebony

PRODUCT SPECIFICATION

The two-piece low consumption dual-max flushing system toilet shall be 1.6GPF/0.9GPF. Toilet shall have high-profile tank, elongated front bowl and chrome push-button type trip lever. Toilet shall be TOTO Model CST416M_____.



D+ Dual-Max

CODES/STANDARDS

- Meets and exceeds ASME A112.19.2/CSA B45.1, ASME A112.19.14
- Certifications: IAPMO(cUPC®), EPA WaterSense, State of Massachusetts, and others
- Code compliance: UPC, IPC, NSPC, NPC Canada, and others
- Legislative compliance: California Green Building Code, City of Los Angeles Water Efficiency Ordinance, and others



CST416M

Aquia® II Close Coupled Toilet, 1.6GPF & 0.9 GPF

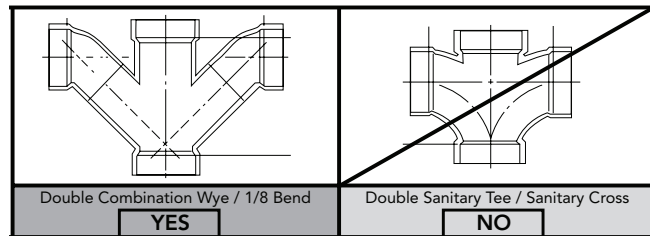
SPECIFICATIONS

- Water Use 1.6 GPF/0.9GPF (6.0 LPF/3.4LPF)
- Flush System Dual-Max
- Min. Water Pressure 8 psi (static)
- Water Surface 6" x 4-1/2"
- Trap Diameter 2-1/8"
- Rough-in 12"
- Trap Seal 2-1/8"
- Warranty One Year Limited Warranty
- Material Vitreous china
- Shipping Weight CT416 - 66.5lbs
ST416M - 30lbs
- Shipping Dimensions CT416
27-3/4"L x 15-1/2"W¹
x 10-1/2"W² x 18"H

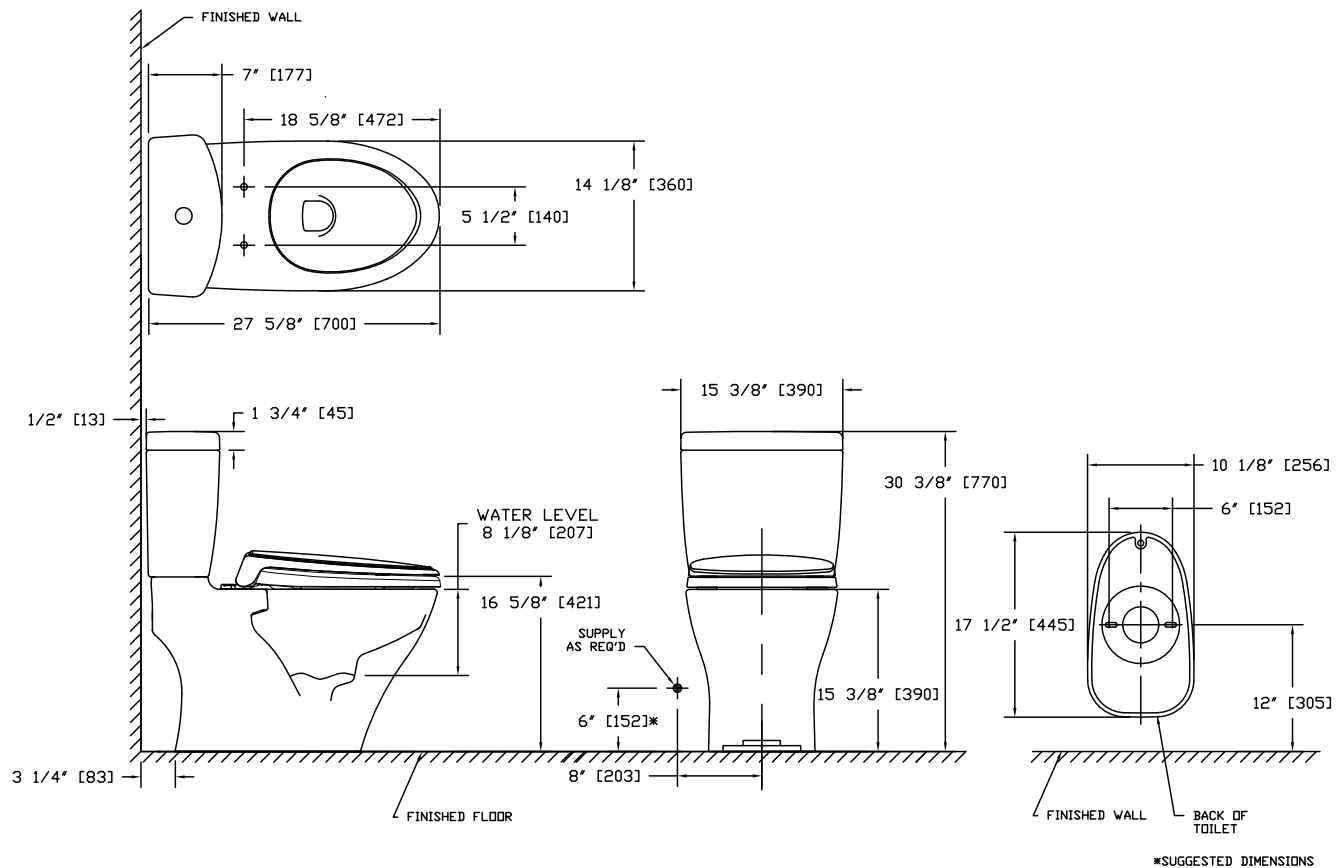
ST416M
16"L x 7-1/2"W x 18-1/2"H

INSTALLATION NOTES

Back-to-Back Toilet Installations:
TOTO recommends the use of a nationally listed, double sanitary tee-wye only, in vertical waste stacks, in accordance with the stipulations noted in the majority of nationally recognized plumbing codes.



To maintain adequate wall gap between the back of the tank and wall, mount the floor flange at a nominal 12" rough-in distance.



TOTO

These dimensions and specifications are subject to change without notice