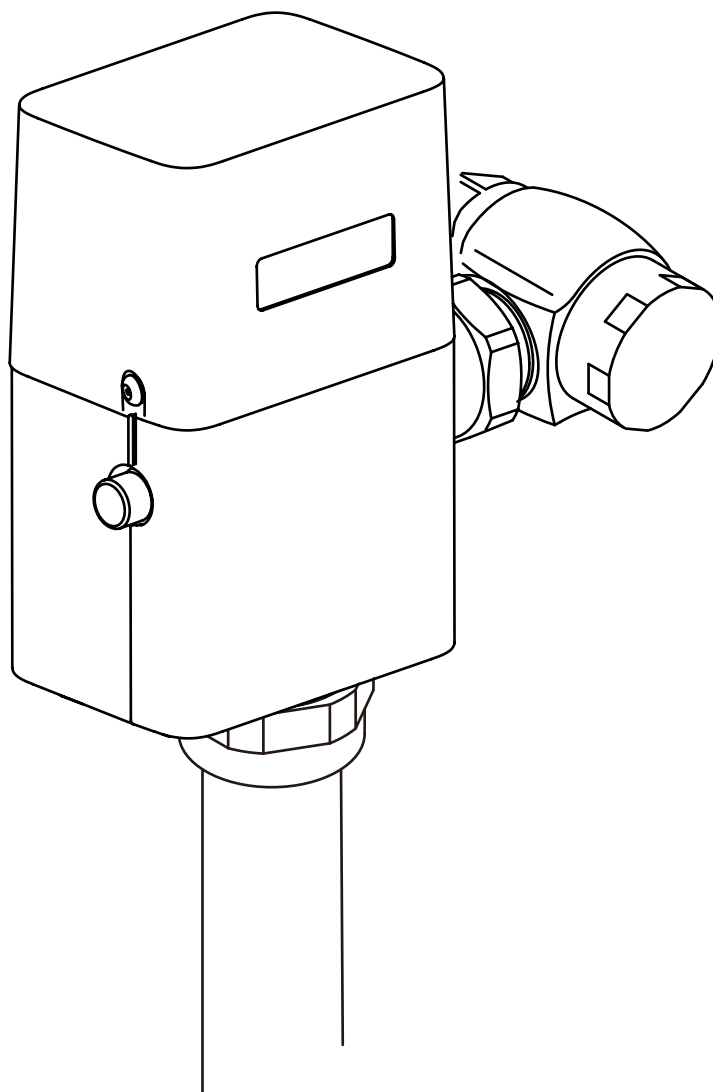


Installation and Owner's Manual
Manual de Instrucciones y del Propietario
Manuel d'Installation et d'Utilisation
Manual de Instalação e do Proprietário

TOTO®

EcoPower® Flush Valve
Fluxómetro EcoPower®
Valve de Chasse EcoPower®
Fluxómetro Self Power



Warranty Registration and Inquiry

For product warranty registration, TOTO U.S.A. Inc. recommends online warranty registration. Please visit our web site <http://www.totousa.com>. If you have questions regarding warranty policy or coverage, please contact TOTO U.S.A. Inc., Customer Service Department, 1155 Southern Road, Morrow, GA 30260 (888) 295-8134 or (678) 466-1300 when calling from outside of U.S.A.

TABLE OF CONTENTS

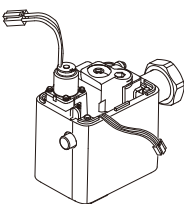
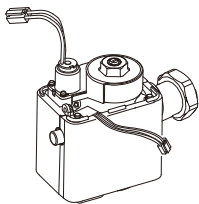


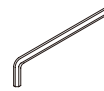
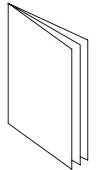
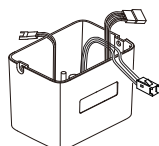

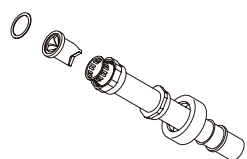
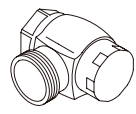
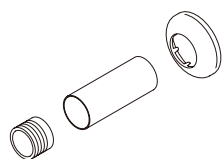
Thanks for Choosing TOTO!.....	2
Included Parts.....	2
Common Tools Needed.....	3
Care & Cleaning.....	3
Features.....	3
Specifications.....	4
Technical Information.....	5
Warnings.....	6
Before Installation.....	6
Installation Procedure.....	7
Test Run.....	10
Note to the Installer.....	10
Periodic Maintenance.....	10
Using the Flush Valve.....	11
Troubleshooting.....	12
Warranty.....	16
Rough-In Dimensions.....	62

THANK YOU FOR CHOOSING TOTO!

The mission of TOTO is to provide the world with healthy, hygienic and more comfortable lifestyles. We design every product with the balance of form and function as a guiding principle. Congratulations on your choice.

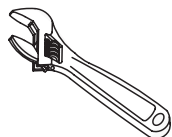
INCLUDED PARTS

Check to make sure you have all these parts from the package*:

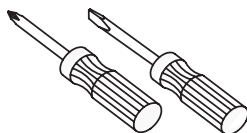
<div style="display: flex; justify-content: space-around;"> <div style="text-align: center;"> <p><i>TEU1UA</i></p>  <p>Valve body assembly</p> </div> <div style="text-align: center;"> <p><i>all valves except for TEU1UA</i></p>  <p>Valve body assembly</p> </div> </div>	 <p>Back-up Battery Pack</p>	 <p>Screws</p>	 <p>Hex wrench</p>	 <p>Installation and Owner's Manual</p>
 <p>Top cover assembly</p>	<p>For TEU1UA12, TEU1LA(12,22), TEU1GA(12,22), TET1LA32, TET6LA32, TET1GA32, TET6GA32</p>			
 <p>Toilet flush valve Notice label</p>	 <p>Vacuum breaker tube (with spud joint)</p>	 <p>Control stop</p>	 <p>Sweat solder kit (Escutcheon, covering tube, Adapter)</p>	

*Appearance of some components may vary depending on the model.

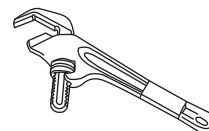
COMMON TOOLS NEEDED



Adjustable wrench



Screwdrivers (Phillips and Slotted)



Offset pipe wrench

CARE & CLEANING

IMPORTANT! Do not scratch the sensor when cleaning.

- Avoid using any cleaning materials that may scratch the surface.
- Never use polishing powder, detergent that includes coarse particles, thinners, benzene, acids, alkaline detergents, or nylon scrub brushes.
- To safely clean the surface, wipe it using a dampened soft cloth with diluted dishwashing detergent and dry it with another soft cloth. If this does not adequately clean the surface, wipe the area with a neutral detergent and wet cloth.

FEATURES

Fully Automatic and Hygienic

The EcoPower Flush Valve uses an infrared sensor to detect the user using and departing the fixture, to provide an automatic flush of the fixture after a short delay. No manual operation is required, improving the experience of use and hygiene of the fixture.

System Protection Timer

When the fixture is not used for 24 hours (12 hours for TEU1LA and TEU1UA) the protection timer commands the system to flush in order to maintain the trap seal.

Manual Functionality

For maintenance and emergency use, the EcoPower Flush Valve is equipped with a manual flushing button.

Green Features

Conserves Power

The flushing of the fixture activates a hydropower generator which generates electric power for the next flush. (See *About TOTO's Hydropower Generator*)

Conserves Water

Two functions help the EcoPower Flush Valve conserve water:

Fuzzy Logic Control

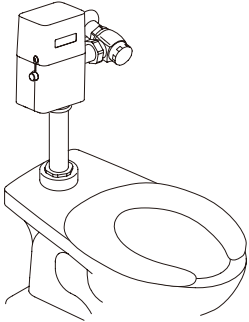
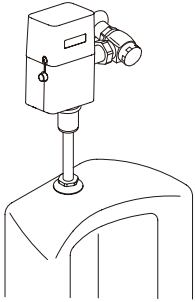
The EcoPower Flush Valve can sense how often and how long the fixture has been used to deliver the correct amount of water. (See *About Fuzzy Logic Control*)

Anti Consecutive Flushing

The EcoPower Flush Valve offers water saving consecutive flush prevention. After a flush, the valve will not automatically flush again for 10 seconds for urinals and 30 seconds for toilets.

TOTO EcoPower Flush Valve are designed to work for 10 years, under normal conditions, with no minimum usage required.

SPECIFICATIONS

Figure	Toilet		Urinal		
					
Model Number	TET1GA TET6GA	TET1LA TET6LA	TEU1GA	TEU1LA	TEU1UA
Rated Flush Volume 28 psi (196kPa) (factory set)	1.6 G (6 L)	1.28 G (4.8 L)	fuzzy logic adj. flush vol. 0.5 G (1.9L) typical flush vol. 1.0 G (3.8 L)	0.5 G (1.9 L)	0.125 G (0.47 L)
Toilet/Urinal type	Flush Valve type bowl		Wash down flush		
Control stop inlet	1" NPT		3/4" NPT		
Flush Valve inlet	1-1/4" NPSM				
Flush Valve outlet	1-1/2" NPSM				
Supply water pressure	Min (Flowing)	15 psi (103 kPa)	35 psi (241 kPa)	15 psi (103 kPa)	
	Max* (Static)	125 psi (862 kPa)	125 psi (862 kPa)	125 psi (862 kPa)	
Shutoff pressure	7 psi (48 kPa)				
Dimension of cover	7" (H) x 4-9/16" (W) x 3-3/16" (D) (178 mm (H) x 115 mm (W) x 81 mm (D))				
Detection range from the front	Within 33-1/2" (850 mm)				
Detection time	6 seconds				
Trap seal protection	Automatic flush every 24 hours of non-use			Automatic flush every 12 hours of non-use	
Ambient temperature	32-104°F (0-40°C)				
Water temperature	34-104°F (1-40°C)				

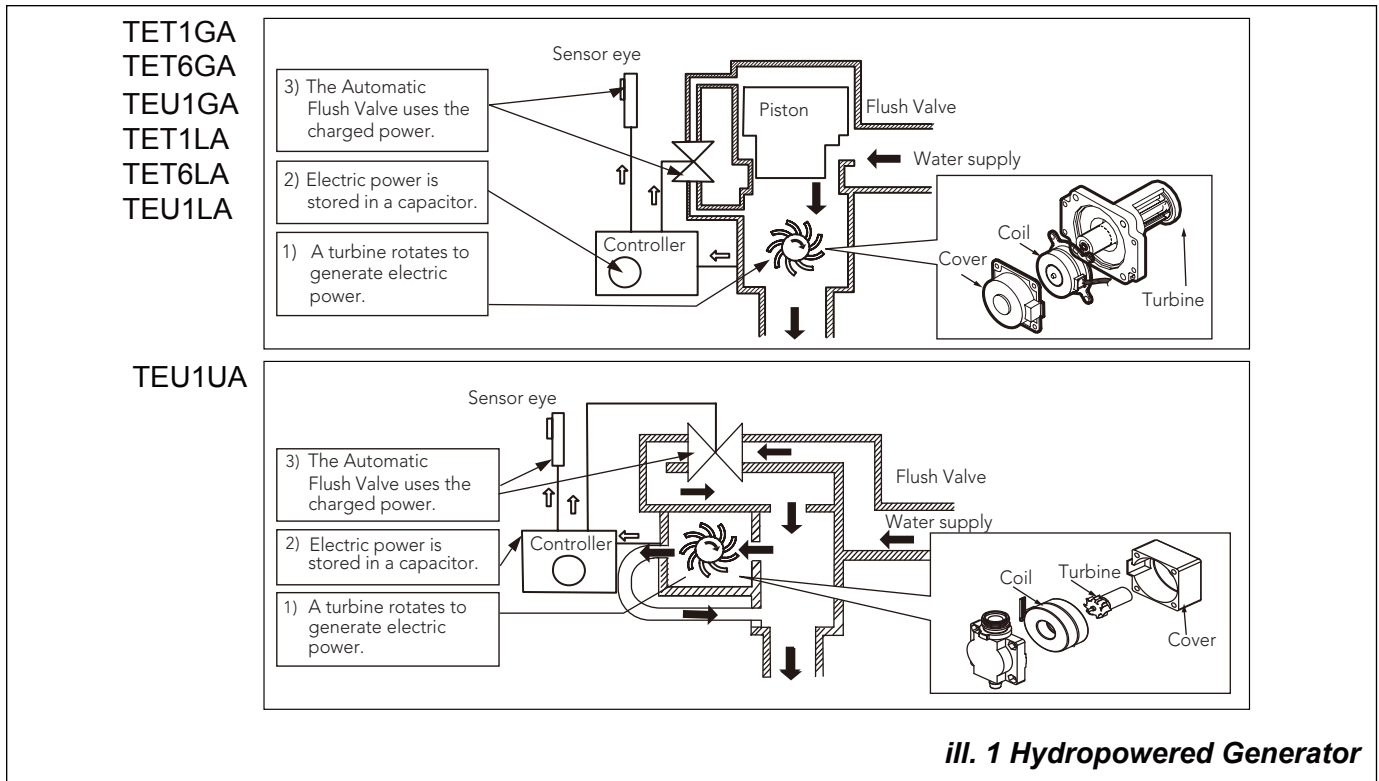
NOTE: The type of fixture determines the minimum pressure required for the valve. Consult fixture manufacturer for the pressure requirement. TET6LA and TET6GA require 24" OR LONGER vacuum breakers. The valve will not have the proper detection range if you use a shorter vacuum breaker.

* Water pressures over 80 psi are not recommended for most plumbing fixtures.

TECHNICAL INFORMATION

About TOTO's Hydropowered Generator

The flow of water causes the turbine in the power generator to rotate. This process generates electric power and enables the automatic Flush Valve to operate. See ill. 1 below.



WARNINGS

Please read and adhere to these notes. Failure to do so could result in personal injury and/or property damage.

- Never splash water on the controller. The EcoPower Flush Valve is an electric appliance. Risk of product malfunction.
- Do not strike or kick the EcoPower Flush Valve. Risk of product malfunction or water leakage.
- Do not use the EcoPower Flush Valve at temperatures exceeding what local codes or product specification allow. Risk of product malfunction.
- Do not place an item in a room with high humidity such as shower area or sauna. Risk of product malfunction.
- Never attempt to disassemble, reassemble, repair or modify the EcoPower Flush Valve unless you are a professional. Risk of product malfunction and electric shock.

BEFORE INSTALLATION

Important: Plumbing installation must be in accordance with applicable codes and regulations. Water supply lines must be sized to provide an adequate volume of water for each fixture. Flush all waterlines prior to operation.

1. Prior to installing your Flush Valve, install the items listed below:

Bowl fixture/Urinal fixture

Drain line

Water supply line

The supply piping to these devices must be securely anchored to the building structure to prevent the installed device moving during use. Prevent marring to the exposed surface during installation.

Except for TET6GA and TET6LA, install the Flush Valve so the control stop is no less than 11-1/8" (282mm) above the top of the bowl/urinal. For TET6GA and TET6LA, install the Flush Valve such the control stop is 27" (685.8mm) above the bowl/urinal. see local codes for special requirements.

2. Avoid damaging the surface of the infrared sensor.

3. **For Toilet Flush Valve:**

The toilet Flush Valve may not function if toilet seat or lid cover are left upright and block the sensor.

For Urinal Flush Valve:

The urinal Flush Valve is designed for optimal performance with a washout urinal, but a siphon jet urinal may be substituted. Blowout urinals are not recommended.

4. The detection range of the infrared sensor is shown on p.15.

To prevent valve malfunction, do not install a handrail or any other object within the detection range of the sensor. Do not install the Flush Valve where sensor faces a mirror, stainless steel wall, other highly reflective surfaces or another infrared sensor.

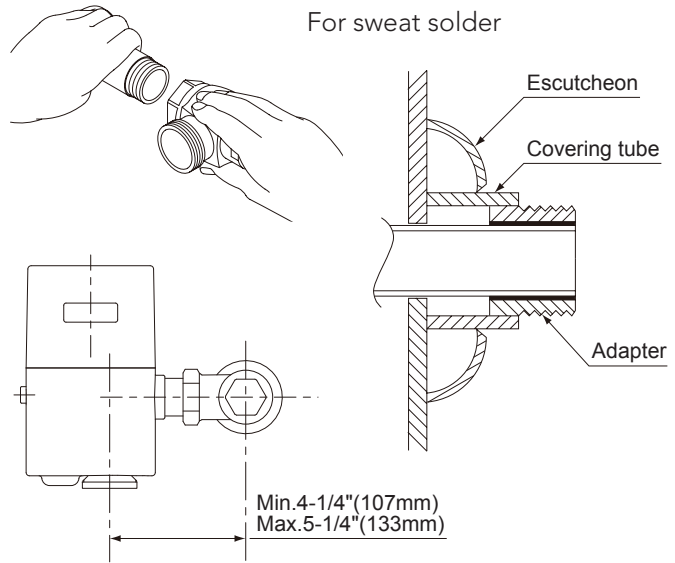
INSTALLATION PROCEDURE

NOTE: For retrofit installation, remove the old Flush Valve after shutting off the control stop.

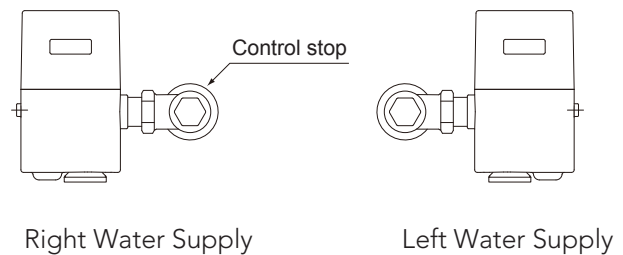
1. Install the control stop using an appropriate size escutcheon and a sweat solder adapter kit, if applicable.

Thread sealing compounds should be used on male NPT threads only.

The distance from center of the control stop to center of the Flush Valve should fall within 4-1/4" to 5-1/4" (107mm to 133mm).

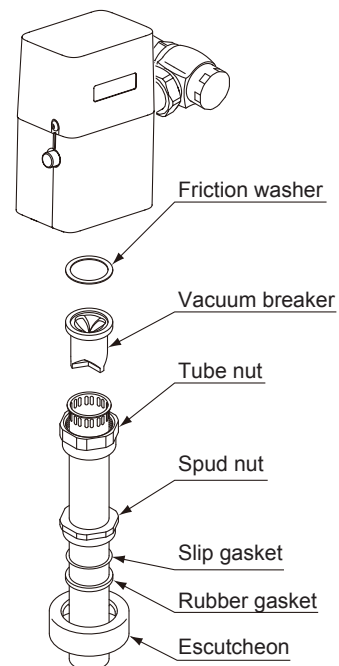


For use with a left water supply, attach the sensor top cover in the opposite direction so that the sensor will be at the front.



2. Determine the length of vacuum breaker tube to join the Flush Valve and fixture spud. If required, cut the vacuum breaker tube to the proper length.

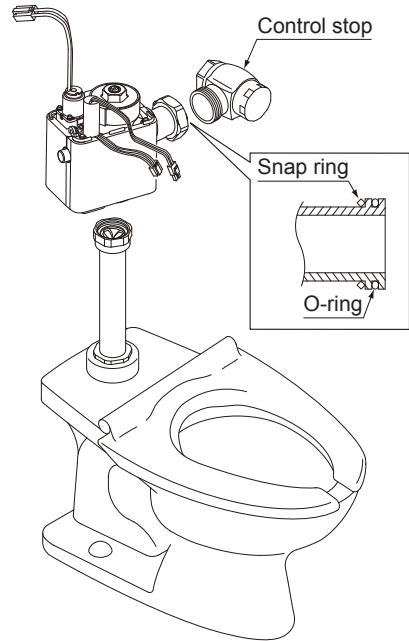
3. Assemble the spud nut assembly to the fixture spud. Hand tighten spud nut to fixture.



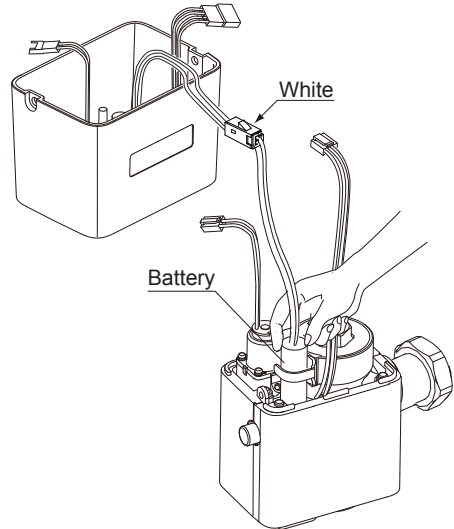
INSTALLATION PROCEDURE

ENGLISH

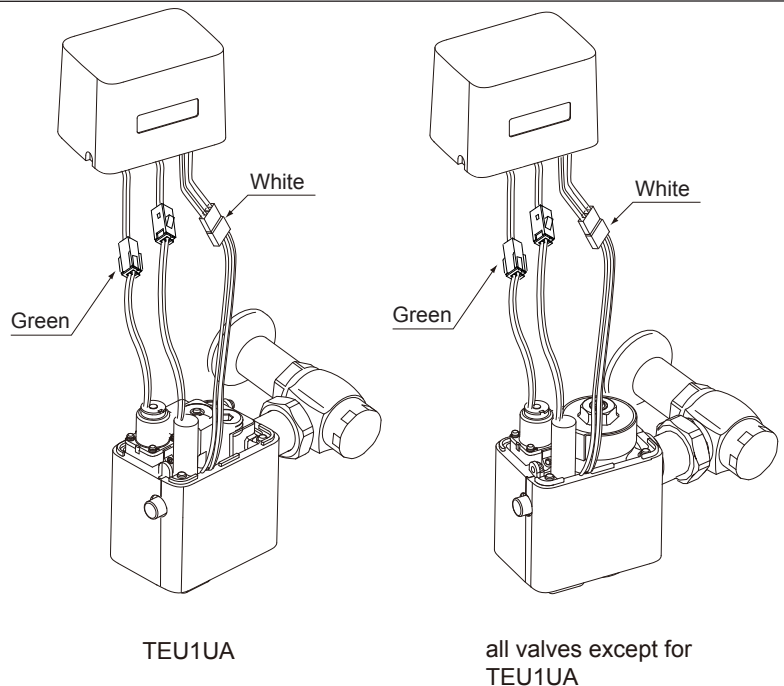
4. Prior to inserting the Flush Valve tailpiece into the control stop, make sure that the o-ring is in the groove at the end of the tailpiece, the locking nut and the snap ring are located as shown.
5. Connect the Flush Valve with the control stop and the vacuum breaker tube. Exercise care not to damage the o-ring when inserting the tailpiece into the control stop. If lubrication is needed, wetting the o-ring with water is sufficient.
6. Align the Flush Valve and securely tighten fixture spud nut, vacuum breaker tube nut and locking nut with a wrench.



7. Connect the battery cable with that of the controller and set the battery at the proper position.

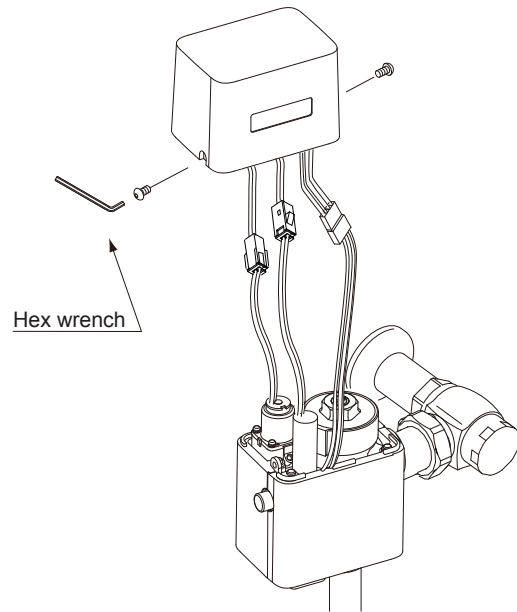


8. Connect the cables of the solenoid valve and generator with those of controller.



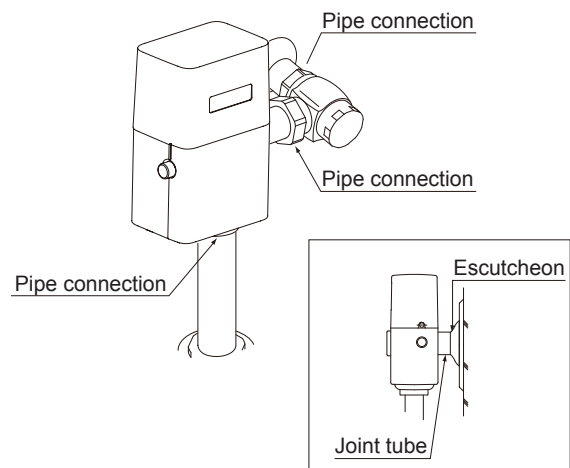
INSTALLATION PROCEDURE

- Fasten the sensor top cover to body assembly with the supplied screws and hex wrench.



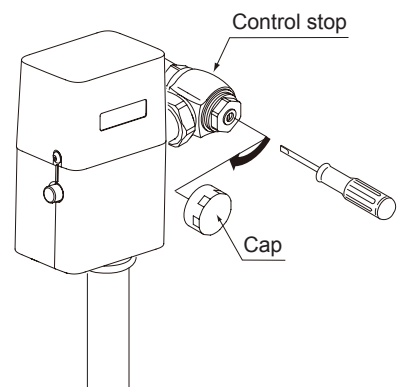
- Before the supply water is turned on, be sure all water leaks are eliminated by tightening all the pipe connections.

NOTE: If for any reason it becomes necessary to remove the control stop, make sure the water is shut off at the main supply valve.



The Flush Valves are preset for fixture volume as marked on the valve carton. The valve does not require adjustment for variation in water pressure within its operating range.

- To set the Flush Valve for proper operation, open the control stop completely by using the adjusting screw.
- Activate the Flush Valve several times.
- In the case of excessive flow rate, gradually adjust the control stop towards the closed position using the adjusting screw, until there is suitable water flow into the fixture.
- The cap for the control stop should be placed after final adjustments have been made.
- Tighten the cap firmly with a wrench.



WARNING: Do not open the control stop to the point where the flow from the Flush Valve exceeds the flow capability of the fixture. In case of a valve failure, the water must not overflow from the fixture.

TEST RUN

1. **For Toilet:** Sit on the toilet seat.
For Urinal: Stand within two feet from the front of the Flush Valve.
2. Stay there for 6 seconds or more and then leave the toilet seat or the urinal. The valve will automatically flush.
3. Press the manual flushing button and make sure the valve flushes properly and the sensor red light of the sensor is on for 2 seconds.
4. Recheck all the pipe connections for water leaks. If the Flush Valve is not operating properly following the test run consult the Troubleshooting section on p.12.

NOTE TO THE INSTALLER

After the Flush Valve unit has been installed correctly, please explain to your customer how to use it and tell them to observe the following instructions:

1. Do not put any object in front of the sensor window which could obstruct the sensor, causing it to malfunction.
2. In case of any trouble, consult the troubleshooting section on p.12. If you lack the necessary skills required or have difficulty following the directions for installation, maintenance, repairs, troubleshooting or adjustments of the product, do not proceed without help from a qualified person to assist you.

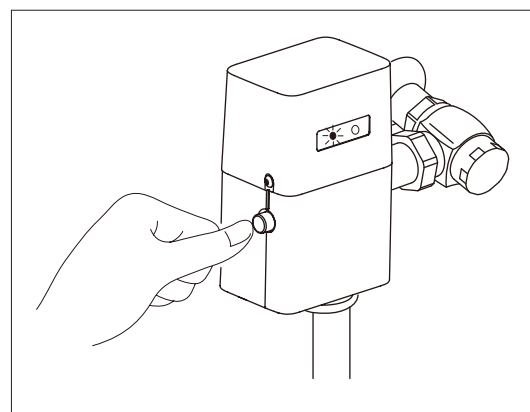
PERIODIC MAINTENANCE

Please check your EcoPower Flush Valve at least once a month according to the following instructions to avoid risk of property damage.

Check the piping to see whether there is any leakage.

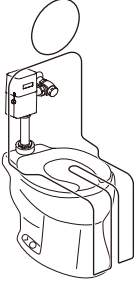
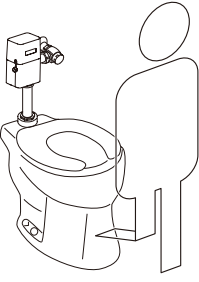
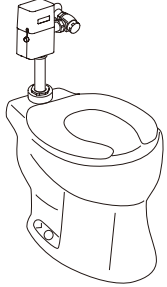
Press the manual flushing button and make sure the sensor red light is on for 2 seconds to see if the generator performs properly or not.

If the red light is not on, check the generator to see if any debris is clogged up at the turbine.

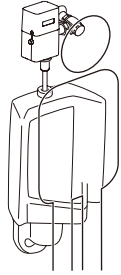
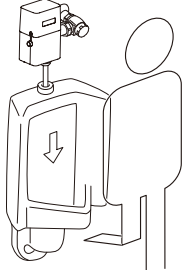



USING THE FLUSH VALVE

■ Using the Toilet Flush Valve

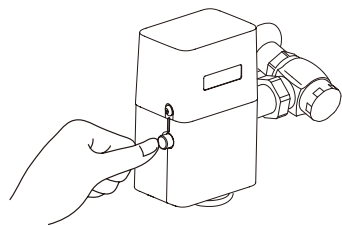
Infrared Sensor	Flushing	Flushing Every 24 hours
 <p>The infrared sensor detects a user of the toilet.</p>	 <p>When the user stays in place longer than 6 seconds then moves away, the controller sends a signal to the operating unit to automatically trip the Flush Valve after 3 seconds delay.</p>	 <p>If toilet is not used for 24 hrs, the system automatically flushes as a maintenance and hygienic precaution.</p>

■ Using the Urinal Flush Valve

Infrared Sensor	Flushing	Flushing Every 12 hours
 <p>The infrared sensor detects a user standing within 2 ft (600 mm) of the front of the urinal.</p>	 <p>When the user stays in place longer than 6 seconds then moves away, the controller sends a signal to the operating unit to automatically trip the flush. (No delay)</p>	 <p>If urinal is not used for 12 hrs the system automatically flushes as a maintenance and hygienic precaution.</p>

■ Common

Manual Flushing Button



Use the manual flush button for maintenance and/or emergencies.

ENGLISH

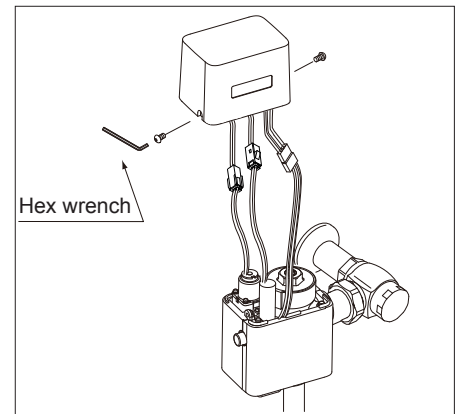
TROUBLESHOOTING			
Problem	Possible Cause	Suggested Action	Ref.Page
No water comes from the Flush Valve	The main valve in water supply line or the control stop is shut off	Open the main valve or the control stop	-
	One or more cables not connected	Check all cable connections	-
	The surface of the glass in front of the infrared sensor is dirty	Clean the surface of the glass	-
	The glass is broken	Contact distributor for replacement	-
	There is a reflective surface in front of the sensor	Remove the reflective surface in front of sensor	15
	The infrared sensor or the solenoid is out of order	Contact distributor for replacement	-
	The small holes in the solenoid diaphragm are clogged	Clean the small hole in the diaphragm and filter	14
	Hydropower generator is clogged	Service hydropower generator	-
Water does not stop flowing	The small hole in the piston is clogged (not for TEU1UA)	Clean the small hole in the piston	13
	The sealing area of the piston is dirty (not for TEU1UA)	Clean the sealing area of the piston	13
	The sealing area of the solenoid diaphragm is dirty	Clean the sealing area of the diaphragm and filter	14
	Piston u-packing is damaged (not for TEU1UA)	Inspect & replace if necessary	13
The discharge volume is too small	The screw of the control stop is not adjusted properly	Adjust the discharge quantity by the screw of the control stop	14
The discharge volume is too much			
The flow rate is too low	Water supply pressure is too low (below rated minimum pressure)	Consult with a plumbing contractor	-
	The control stop is not open enough	Adjust the control stop properly	14
The flow rate is too high	The control stop is not adjusted properly	Adjust the control stop properly	14
A red light in the sensor window blinks	The battery is weak	Replace with battery provided by TOTO	14

NOTE: Do not dismantle parts of the Flush Valve which are not specified in the troubleshooting guide.
If you need further assistance, please call TOTO Technical Support at (888) 295-8134.

■ DISASSEMBLY

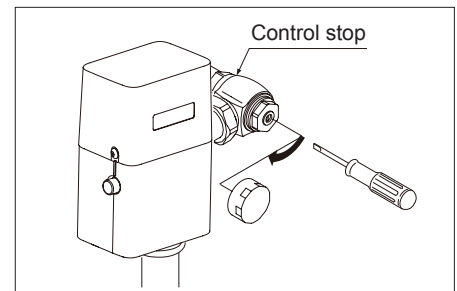
If the whole valve needs to be removed from the water supply for servicing, please be aware of the cautions below:

1. Be careful not to lose or tear the friction washer at the outlet connection to the vacuum breaker tube nut. To maintain a proper seal, replace the washer if necessary.
2. When re-installing the valve to the water supply, avoid pinching the o-ring.

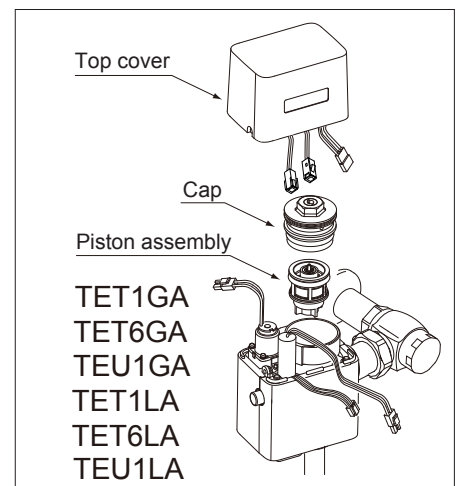


■ CLEANING PISTON ASSEMBLY AND FILTER

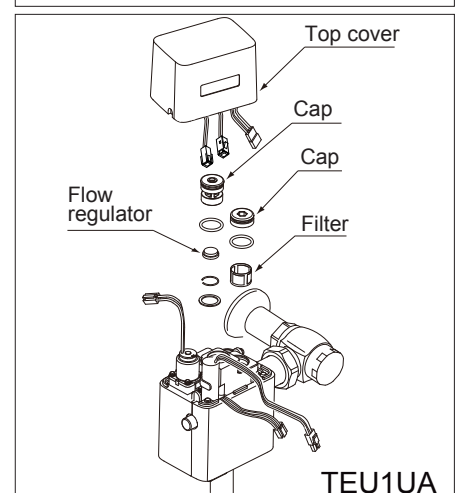
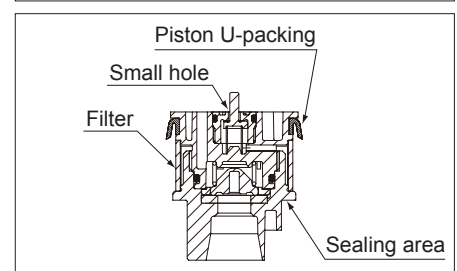
1. Turn the screw of the control stop clockwise to turn off the water.



2. Take out the piston assembly (Filter for TEU1UA).



3. Check the small hole in the piston to see if it is clogged with debris. Insert a small wire to unclog hole if needed.
4. Check the filter to see if it is clogged with debris and gently brush it clean.
5. Check the sealing area of the piston and clean it if it is dirty.
6. Check the U-packing for cracks or damage.

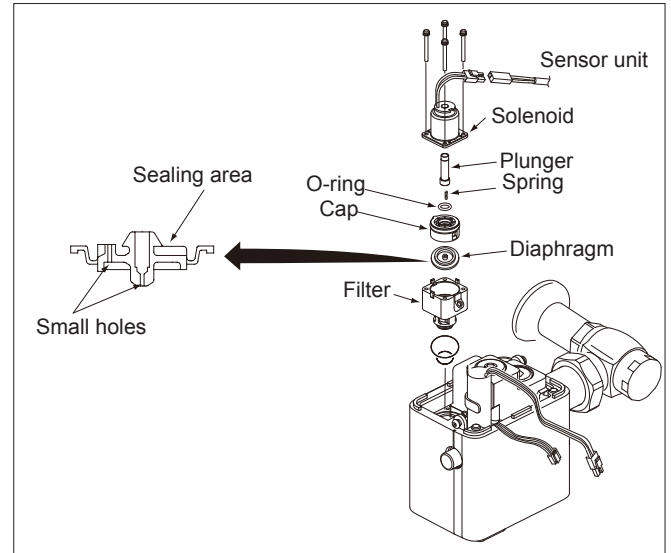


■ CLEANING DIAPHRAGM AND FILTER

1. Turn the screw on the control stop clockwise to turn off the water.
2. Disconnect the solenoid.
3. Remove the solenoid and take out the diaphragm. Then check the small holes and sealing area.

NOTE: See below for disassembly.

NOTE: Do not stretch or alter the shape of the spring in the solenoid valve in any way. It will void the warranty.



■ CHECKING THE SOLENOID

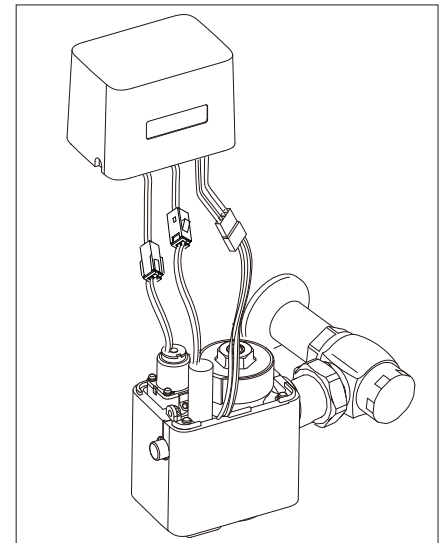
1. Make sure the batteries are properly placed and cables are connected.
2. With water supply turned off, place your hand in front of the sensor for 6 seconds.
3. Remove and listen for a "click" sound after 3 seconds. This indicates the solenoid plunger has been activated.

■ BATTERY REPLACEMENT

A special lithium back-up battery is used. Replace only with the battery provided by TOTO.

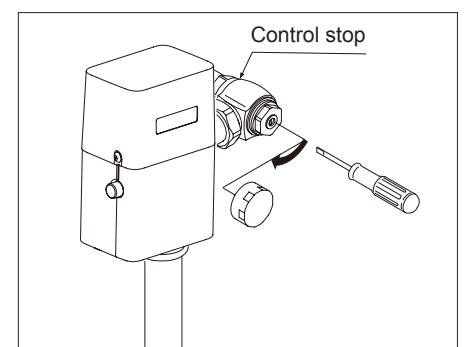
If a red light in the sensor window blinks with the cycle of 4 seconds, it is time to replace the battery.

1. Remove the old battery.
2. Set the new battery at the proper position.



■ ADJUSTMENT OF THE FLOW RATE

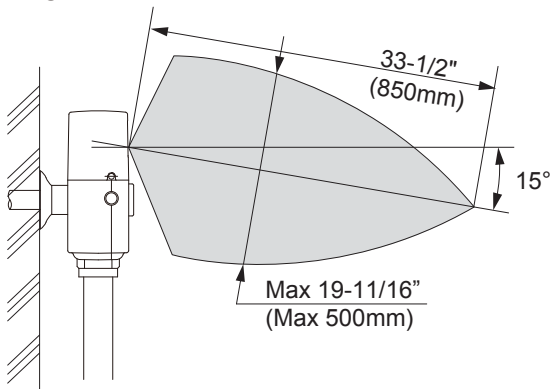
1. Adjust the flow rate by the turning screw on the control stop.
2. Turn the screw to the right to decrease the flow rate and turn to the left to increase.



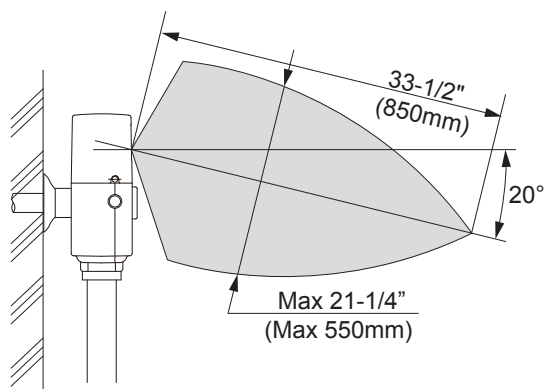
■ DETECTION RANGE

The detection range of the infrared sensor is set at the factory and does not need further adjustment.

TET1GA, TET1LA
TEU1GA, TEU1LA
TEU1LA



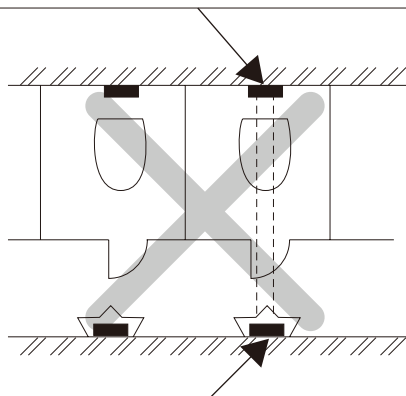
TET6LA
TET6GA



PRECAUTION

DO NOT place the infrared sensor of one Flush Valve so that it is in line with the sensor of another Flush Valve sensor.

Another infrared sensor.

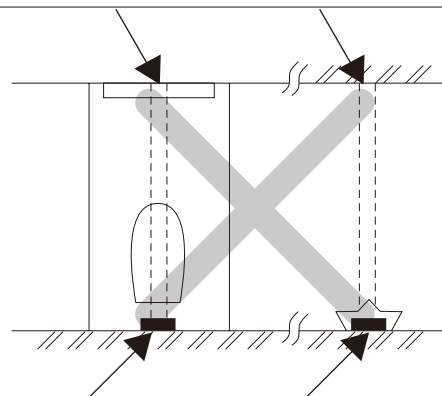


Infrared sensor of the automatic Flush Valve.

PRECAUTION

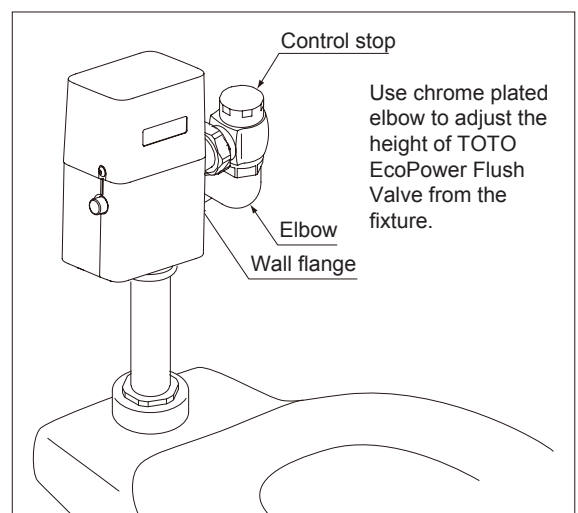
DO NOT place the infrared sensor in front of a mirror, stainless steel wall, or other highly reflective surface.

Mirror, stainless steel wall or other highly reflective surface.



Infrared sensor of the automatic Flush Valve.

NOTE: In some cases, the valve may not detect a user if the toilet seat is left in an upright position. This can be due to the rough-in dimension or gap of the open front commercial seat. Please lower the seat or arrange with a TOTO or other plumbing contractor to change the height of the valve. The sensor can have trouble detecting users wearing black clothes in some conditions.



WARRANTY

1. TOTO[®] warrants its electronic flush valves, faucets and soap dispensers ("Product") to be free from defects in materials and workmanship during normal use when properly installed and serviced, for a period of three (3) years from date of purchase. This limited warranty is extended only to the ORIGINAL PURCHASER of the Product and is not transferable to any third party, including but not limited to any subsequent purchaser or owner of the Product. This warranty applies only to TOTO Product purchased and installed in North, Central and South America.
2. TOTO's obligations under this warranty are limited to repair, replacement or other appropriate adjustment, at TOTO's option, of the Product or parts found to be defective in normal use, provided that such Product was properly installed, used and serviced in accordance with instructions. TOTO reserves the right to make such inspections as may be necessary in order to determine the cause of the defect. TOTO will not charge for labor or parts in connection with warranty repairs or replacements. TOTO is not responsible for the cost of removal, return and/or reinstallation of the Product.
3. This warranty does not apply to the following items:
 - a. Damage or loss sustained in a natural calamity such as fire, earthquake, flood, thunder, electrical storm, etc.
 - b. Damage or loss resulting from any accident, unreasonable use, misuse, abuse, negligence, or improper care, cleaning, or maintenance of the Product.
 - c. Damage or loss resulting from sediments or foreign matter contained in a liquid soap system.
 - d. Damage or loss resulting from improper installation or from installation of the Product in a harsh and/or hazardous environment, or improper removal, repair or modification of the Product.
 - e. Damage or loss resulting from electrical surges or lightning strikes or other acts which are not the fault of TOTO or which the Product is not specified to tolerate.
 - f. Damage or loss resulting from normal and customary wear and tear, such as gloss reduction, scratching or fading over time due to use, cleaning practices or water or atmospheric conditions, including but not limited to, the use of bleach, alkali, acid cleaners, dry (powder) cleaners or any other abrasive cleaners or the use of metal or nylon scrubbers.
4. In order for this limited warranty to be valid, proof of purchase is required. TOTO encourages warranty registration upon purchase to create a record of Product ownership at <http://www.totousa.com> is required. TOTO encourages registration upon purchase and failure to register will not diminish your limited warranty rights.
5. THIS WARRANTY GIVES YOU SPECIFIC LEGAL RIGHTS. YOU MAY HAVE OTHER RIGHTS WHICH VARY FROM STATE TO STATE, PROVINCE TO PROVINCE OR COUNTRY TO COUNTRY.
6. To obtain warranty repair service under this warranty, you must take the Product or deliver it prepaid to a TOTO service facility together with proof of purchase (original sales receipt) and a letter stating the problem, or contact a TOTO distributor or products service contractor, or write directly to TOTO U.S.A., INC., 1155 Southern Road, Morrow, GA 30260 (888) 295 8134 or (678) 466-1300, if outside the U.S.A. If, because of the size of the Product or nature of the defect, the Product cannot be returned to TOTO, receipt by TOTO of written notice of the defect together with proof of purchase (original sales receipt) shall constitute delivery. In such case, TOTO may choose to repair the Product at the purchaser's location or pay to transport the Product to a service facility.

THIS WRITTEN WARRANTY IS THE ONLY WARRANTY MADE BY TOTO. REPAIR, REPLACEMENT OR OTHER APPROPRIATE ADJUSTMENT AS PROVIDED UNDER THIS WARRANTY SHALL BE THE EXCLUSIVE REMEDY AVAILABLE TO THE ORIGINAL PURCHASER. TOTO SHALL NOT BE RESPONSIBLE FOR LOSS OF THE PRODUCT OR FOR OTHER INCIDENTAL, SPECIAL OR CONSEQUENTIAL DAMAGES OR EXPENSES INCURRED BY THE ORIGINAL PURCHASER, OR FOR LABOR OR OTHER COSTS DUE TO INSTALLATION OR REMOVAL, OR COSTS OF REPAIRS BY OTHERS, OR FOR ANY OTHER EXPENSE NOT SPECIFICALLY STATED ABOVE. IN NO EVENT WILL TOTO'S RESPONSIBILITY EXCEED THE PURCHASE PRICE OF THE PRODUCT. EXCEPT TO THE EXTENT PROHIBITED BY APPLICABLE LAW, ANY IMPLIED WARRANTIES, INCLUDING THAT OF MERCHANTABILITY OR FITNESS FOR USE OR FOR A PARTICULAR PURPOSE, ARE EXPRESSLY DISCLAIMED. SOME STATES DO NOT ALLOW LIMITATIONS ON HOW LONG AN IMPLIED WARRANTY LASTS, OR THE EXCLUSION OR LIMITATION OF INCIDENTAL OR CONSEQUENTIAL DAMAGES, SO THE ABOVE LIMITATION AND EXCLUSION MAY NOT APPLY TO YOU.

ÍNDICE

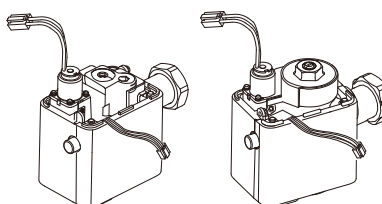


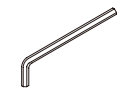
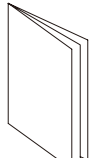
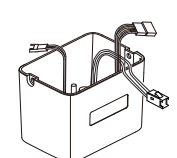

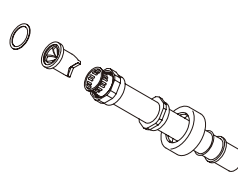
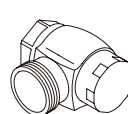
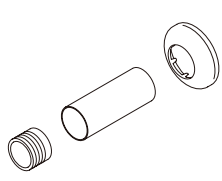
¡Gracias por elegir TOTO!.....	17
Incluía partes.....	17
Herramientas que necesita.....	18
Cuidado y limpieza.....	18
Características.....	18
Especificaciones.....	19
Información técnica.....	20
Advertencias.....	21
Antes de la instalación.....	21
Procedimiento de instalación.....	22
Prueba de funcionamiento.....	25
Después de la instalación.....	25
Mantenimiento periódico.....	25
Uso del fluxómetro.....	26
Resolución de Problemas.....	27
Garantía.....	31
Bosquejo.....	62

¡GRACIAS POR ELEGIR TOTO!

La misión de TOTO es dar al mundo estilos de vida más saludables, higiénicos y cómodos. Diseñamos cada producto guiándonos por el principio del equilibrio entre forma y función. Felicitaciones por su elección.

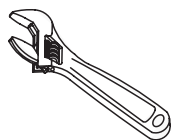
INCLUÍA PARTES

Asegúrese que todas estas partes estén incluidas en su empaçado*:

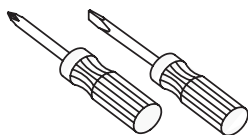
<p><i>TEU1UA</i> <i>A excepción de TEU1UA</i></p>  <p>Montaje de Cuerpo de la Válvula</p>	 <p>Batería Paquete de Respaldo</p>	 <p>Tornillos</p>	 <p>Llave Allen</p>	 <p>Manual de instalación y del propietario</p>
 <p>Montaje de Cubierta Superior</p>	<p>Para TEU1UA12, TEU1LA(12,22), TEU1GA(12,22), TET1LA32, TET6LA32, TET1GA32, TET6GA32</p>			
 <p>Fluxómetro del Inodoro Etiqueta de Aviso</p>	 <p>Rompedor de Vacío (con spud junta)</p>	 <p>Llave de Paso</p>	 <p>Kit Adaptador de Soldadura (Escudo, Tubo que Cubre, Adaptador)</p>	

* El producto real puede variar en apariencia dependiendo del modelo.

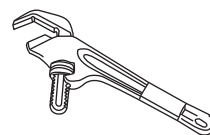
HERRAMIENTAS QUE NECESITA



Llave ajustable



Destornillador (Phillips y Plano)



Llave de tubo

CUIDADO Y LIMPIEZA

¡IMPORTANTE! No raye el sensor al limpiar el producto.

- Evite utilizar cualquier material de limpieza que pueda rayar la superficie.
- Nunca utilice polvo para pulir, detergente que incluya partículas corrosivas, thinners, benceno, ácidos, detergentes alcalinos ni estropajos de nylon, ya que pueden dañar la superficie.
- Para limpiar la superficie con seguridad, límpiela con un trapo remojado en detergente para trastes diluido y séquelo con otro trapo. Si esto no limpia adecuadamente la superficie, límpiela con un detergente neutro y un trapo mojado.

CARACTERÍSTICAS

Completamente Automático e Higiénico

El fluxómetro EcoPower utiliza un sensor infrarrojo para detectar al usuario que utiliza y acciona el aparato, para proporcionar una descarga automática después de un breve retraso. No se requiere ninguna operación manual para mejorar la experiencia de uso y la higiene del aparato.

Temporizador de Protección del Sistema

Cuando el inodoro no se utiliza durante 24 horas (12 horas para urinario) el temporizador de protección da la orden al sistema para activar una descarga a fin de mantener el sello de la trampa.

Funcionalidad Manual

El fluxómetro EcoPower tiene un botón manual de descarga para el mantenimiento y el uso de emergencia.

Características Ecológicas

Conserva la Energía

Cada descarga activa un generador de energía hidráulica que genera energía eléctrica para la siguiente descarga. (Consulte *Acerca del Generador de Energía Hidráulica de TOTO*)

Conserva el agua

Existen dos funciones que ayudan al fluxómetro EcoPower a conservar el agua:

Control Lógico Difuso

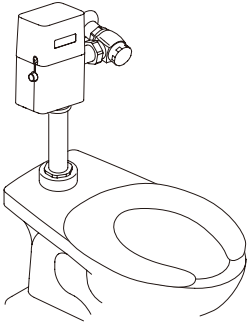
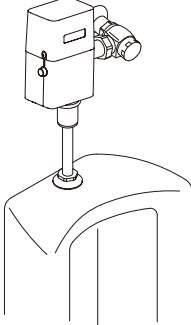
El fluxómetro EcoPower puede detectar con qué frecuencia y durante cuánto tiempo se ha utilizado el aparato para entregar la cantidad correcta de agua. (Consulte *Acerca de Control Lógico Difuso*)

Antidescarga Consecutiva

El fluxómetro EcoPower ofrece la prevención de descargas consecutivas que ahorran agua. Después de una descarga, la válvula no se volverá a descargar de manera automática durante 10 segundos para los urinarios y 30 segundos para los inodoros.

Los fluxómetros EcoPower de TOTO están diseñadas para funcionar durante 10 años, en condiciones normales, sin uso mínimo requerido.

ESPECIFICACIONES

Figura	Inodoro		Urinario		
					
Número de modelo	TET1GA TET6GA	TET1LA TET6LA	TEU1GA	TEU1LA	TEU1UA
Volumen de descarga nominal 28 psi (196kPa) (Ajuste de fábrica)	1.6 G (6 L)	1.28 G (4.8 L)	Control lógico difuso 0.5 G (1.9L) Típica 1.0 G (3.8 L)	0.5 G (1.9 L)	0.125 G (0.47 L)
Tipo	Tipo de fluxómetro		Mingitorio de baldeo		
Control stop inlet	1" NPT		3/4" NPT		
Entrada de fluxómetro	1-1/4" NPSM				
Salida de fluxómetro	1-1/2" NPSM				
Presión de suministro de agua	Mínimo (Fluir)	15 psi (103 kPa)	35 psi (241 kPa)	15 psi (103 kPa)	
	Máximo* (Estática)	125 psi (862 kPa)	125 psi (862 kPa)	125 psi (862 kPa)	
Presión de cierre	7 psi (48 kPa)				
Dimensión de la cubierta	7" (H) x 4-9/16" (W) x 3-3/16" (D) (178 mm (H) x 115 mm (W) x 81 mm (D))				
Rango de detección de frente	Dentro de 33-1/2" (850 mm)				
Tiempo de detección	6 s				
Protección del sello de la trampa	Descarga automática cada 24 horas de no utilización			Descarga automática cada 12 horas de no utilización	
Temperatura ambiente	32-104°F (0-40°C)				
Temperatura de agua	34-104°F (1-40°C)				

NOTA: Consulte al fabricante del aparato para la presión mínima requerida para la válvula. Para el rango de detección funcione correctamente, TET6LA y TET6GA requieren igualador de presión 24" o más largos.

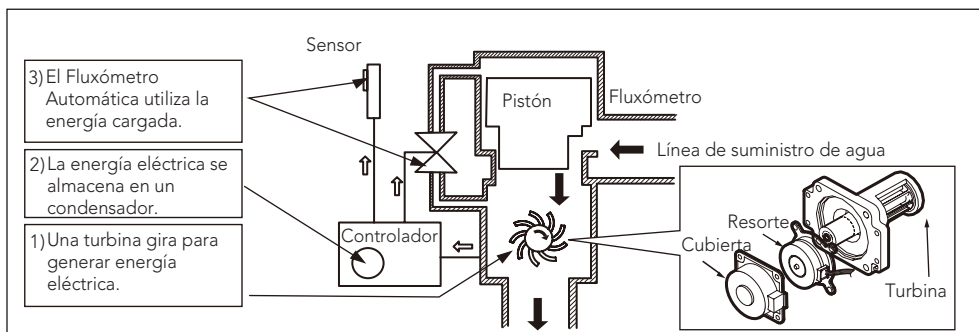
* No se recomiendan las presiones de agua de más de 80 psi para la mayoría de los accesorios de plomería.

INFORMACIÓN TÉCNICA

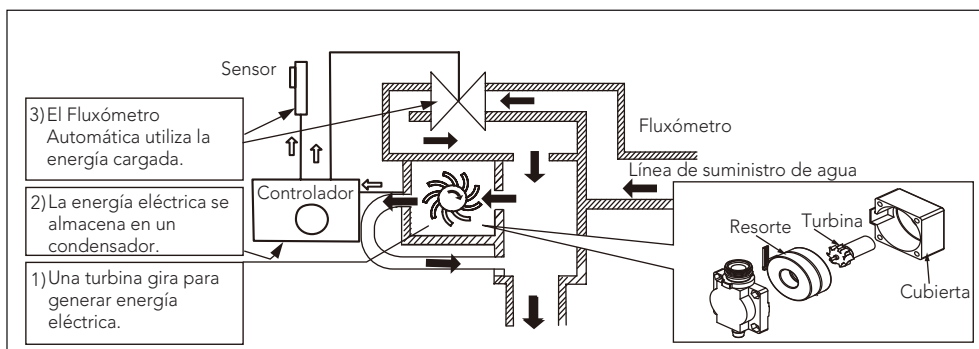
Acerca del Generador de Energía Hidráulica

El flujo de agua hace que la turbina gire en el generador de energía. Este proceso genera energía eléctrica y permite que funcione el fluxómetro automática. Ver ilustración 1 a continuación.

TET1GA
TET6GA
TEU1GA
TET1LA
TET6LA
TEU1LA



TEU1UA



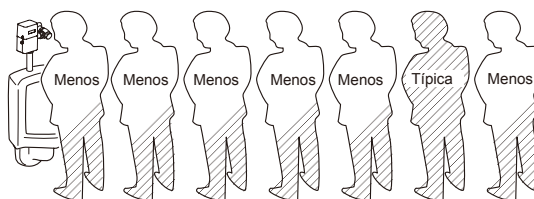
ill. 1 Generador de Energía Hidráulica

Acerca de Control Lógico Difuso (TEU1GA sólo)

La función Control Lógico Difuso ajusta de manera automática la descarga de agua de acuerdo con la frecuencia y la duración de uso (ver ilustración 2 y ilustración 3).

El sistema Control Lógico Difuso del sistema determina la frecuencia de uso por el tiempo de inactividad del urinario y hace que el fluxómetro suelte agua en un patrón óptimo de descarga.

Tiempos Cortos de Inactividad



Para los tiempos cortos de inactividad, el sistema asume el uso frecuente del urinario y el fluxómetro suelta menos agua.

Ejemplos de uso frecuente sería durante una pausa para almorzar o un intermedio en una sala de cine.

Tiempos Largos de Inactividad



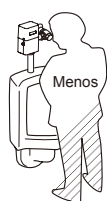
Para tiempos largos de inactividad, el sistema asume un uso poco frecuente, y hace que el fluxómetro entregue una cantidad típica de agua para una limpieza a fondo.

Ejemplos de uso poco frecuente sería después de las horas en la oficina o un día lento en el parque day at the park.

ill. 2 Frecuencia de Uso

El sistema Control Lógico Difuso predice la cantidad de agua de descarga necesaria, en base a la duración de uso del usuario.

Largo Período de Uso



Un largo período de uso indica que puede haber más para limpiar, lo cual requiere que el fluxómetro entregue una cantidad típica de agua de descarga para una limpieza a fondo.

Corto Período de Uso



Un corto período de uso indica que puede haber menos que limpiar, lo que requiere que el fluxómetro suelte menos agua para la limpieza.

ill. 3 Duración de Uso

ADVERTENCIAS

Lea y cumpla estas instrucciones. El no hacerlo podría dar lugar a lesiones personales o daños materiales.

- Nunca salpique agua en el controlador. El fluxómetro EcoPower es un aparato eléctrico. Riesgo de mal funcionamiento del producto.
- No golpee ni patee el fluxómetro EcoPower. Riesgo de mal funcionamiento o fuga de agua.
- No utilice el fluxómetro EcoPower a temperaturas superiores a las permitidas por los códigos locales o las especificaciones del producto. Riesgo de mal funcionamiento del producto.
- No coloque el fluxómetro EcoPower en una habitación con alta humedad, como el área de la ducha o en la sauna. Riesgo de mal funcionamiento del producto.
- Nunca intente desmontar, volver a montar, reparar o modificar el fluxómetro EcoPower a menos que usted sea un profesional. Riesgo de mal funcionamiento del producto y descargas eléctricas.

ANTES DE LA INSTALACIÓN

Importante: La instalación de la plomería debe hacerse de acuerdo con los códigos y reglamentos aplicables. Las líneas de suministro de agua deben dimensionarse para proporcionar un volumen adecuado de agua para cada aparato. Descargue todas las líneas de agua antes de operar.

1. Antes de instalar su fluxómetro, instale los elementos que se enumeran a continuación:

Accesorio Taza/Accesorio Urinario

Línea de drenaje

Línea de suministro de agua

La tubería de suministro de estos dispositivos debe estar anclada firmemente a la estructura del edificio para evitar que el dispositivo instalado se mueva durante el uso. Tenga cuidado al instalar el dispositivo para evitar estropear la superficie expuesta.

A excepción de TET6GA y TET6LA, instale la Válvula de Descarga de modo que la llave de paso no sea inferior a 11-1/8" (282mm) por encima de la parte superior de la taza/urinario.

Para TET6GA y TET6LA, instale la Válvula de Descarga de modo que la llave de paso se encuentre a 27" (685,8 mm) por encima de la taza/urinario. Ver los códigos locales para obtener información acerca de los requisitos especiales.

2. Tenga cuidado de no dañar la superficie del sensor infrarrojo.

3. **Para el fluxómetro del Inodoro:**

El fluxómetro del inodoro puede no funcionar si el asiento y/o la tapa del inodoro se dejan en posición vertical, ya que puede bloquear el sensor.

Para el fluxómetro del Urinario:

El fluxómetro del urinario está diseñada para un rendimiento óptimo con urinarios de lavado para un rendimiento óptimo, pero se puede sustituir un urinario de chorro. No se recomiendan los urinarios Blowout.

4. Ver rango de detección del sensor infrarrojo en p.30.

Para evitar el mal funcionamiento de la válvula, no instale un pasamanos o cualquier otro objeto dentro del rango de detección del sensor. No instale el fluxómetro dondel sensor esté al frente de un espejo, una pared de acero inoxidable, otras superficies altamente reflectantes u otro sensor infrarrojo.

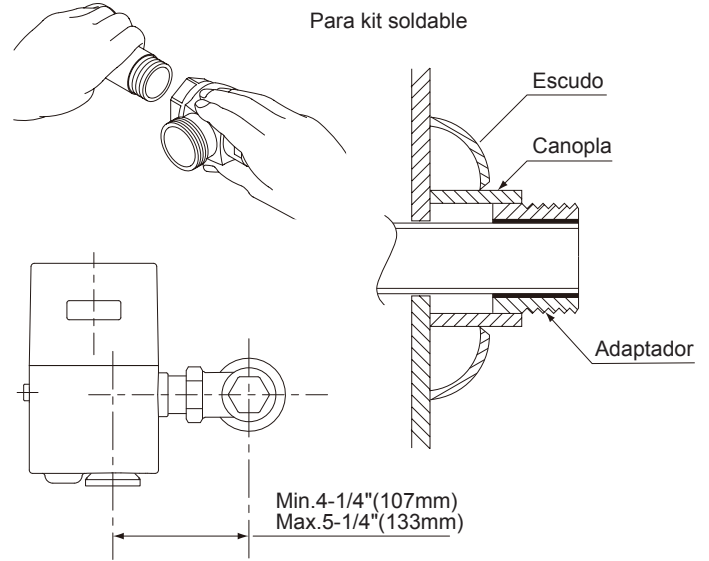
PROCEDIMIENTO DE INSTALACIÓN

NOTA: Para la instalación de actualización, retire el fluxómetro vieja después de cerrar la llave de paso.

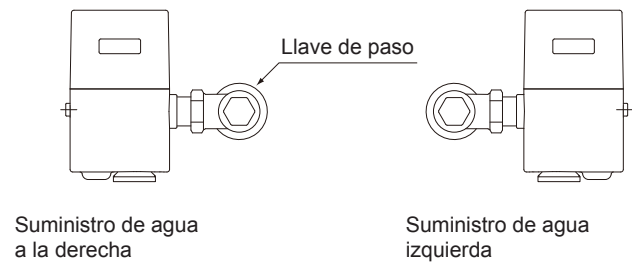
1. Instale la llave de paso utilizando el tamaño correcto del escudo y un kit adaptador de soldadura, en su caso.

Debe utilizarse compuestos de sellado de rosca solo en roscas NPT macho.

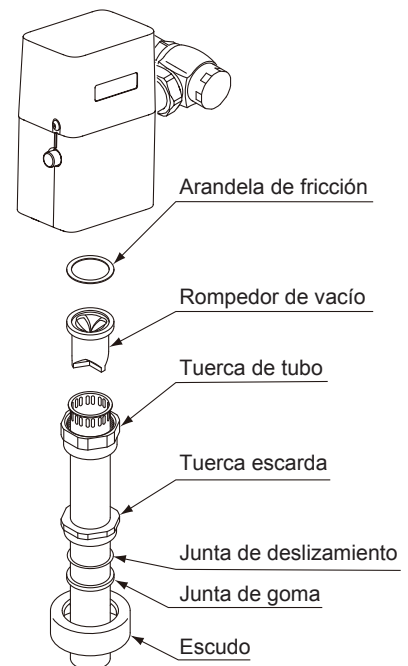
La distancia desde el centro de la llave de paso al centro del fluxómetro debe estar dentro de 4-1/4" a 5-1/4" (107 mm a 133 mm).



Para el uso con el suministro de agua izquierda, coloque la cubierta superior del sensor en la dirección opuesta para que el sensor esté al frente.

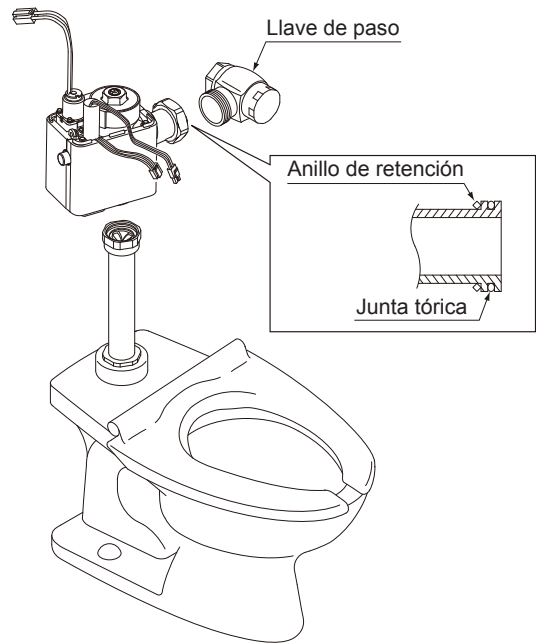


2. Determine la longitud del rompedor de vacío para unir el orificio del fluxómetro y del aparato. Si es necesario, corte el rompedor de vacío a la longitud adecuada.
3. Monte el conjunto de tuerca escarda al orificio del aparato. Ajuste a mano la tuerca escarda al aparato.

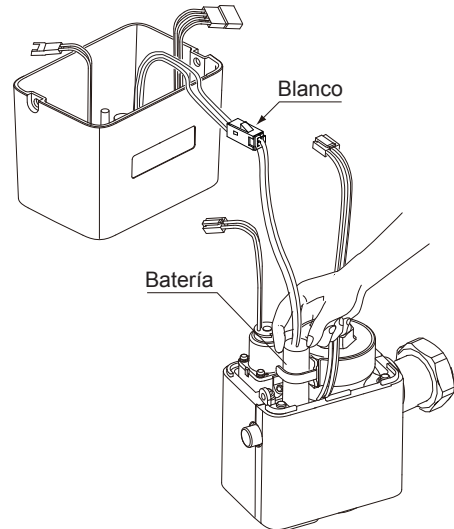


PROCEDIMIENTO DE INSTALACIÓN

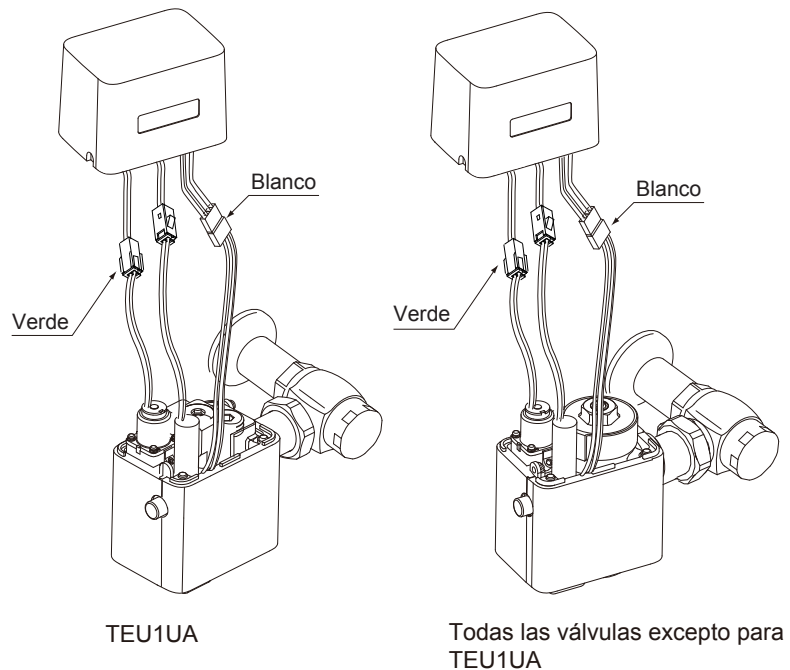
4. Antes de insertar el tubo de descarga del fluxómetro en la llave de paso, asegúrese de que la junta tórica esté en la ranura en el extremo del tubo de descarga, la tuerca de bloqueo y el anillo de retención están ubicados como se muestra.
5. Conecte el fluxómetro con la llave de paso y el rompedor de vacío. Tenga cuidado de no dañar la junta tórica al insertar el tubo de descarga en la llave de paso. Si se necesita lubricación, mojar la junta tórica con agua es suficiente.
6. Alinee el fluxómetro y ajuste la tuerca del orificio del aparato, la tuerca del rompedor de vacío y la tuerca de bloqueo con una llave.



7. Conecte el cable de la batería con los cables del controlador y coloque la batería en su lugar.

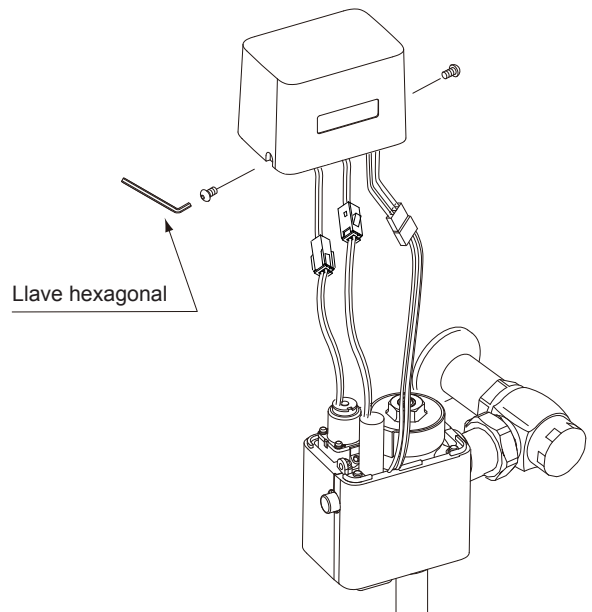


8. Conecte los cables de la válvula de solenoide y el generador con los cables del controlador.



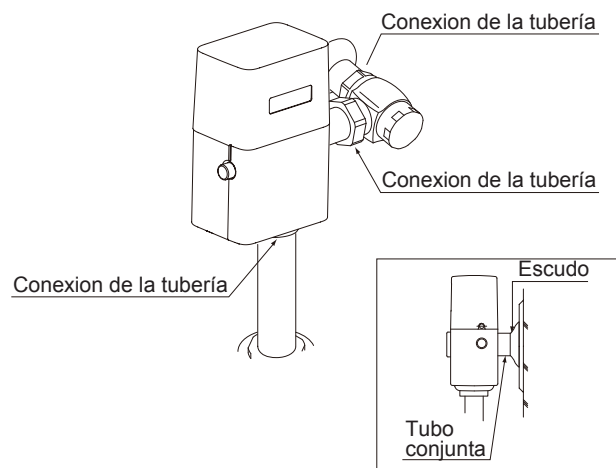
PROCEDIMIENTO DE INSTALACIÓN

9. Sujete la cubierta superior del sensor en el cuerpo con los tornillos y llave hexagonal suministrados.



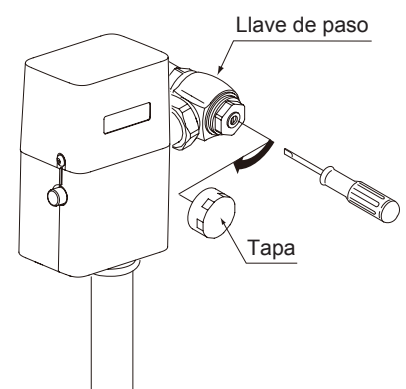
10. Antes de abrir el suministro de agua, asegúrese de que todas las fugas de agua se eliminan al ajustar todas las conexiones de la tubería.

NOTA: Si por alguna razón es necesario eliminar la llave de paso, asegúrese de que el agua esté cerrada en la válvula de alimentación principal.



Los fluxómetros están predefinidas para el volumen del aparato como está marcado en la caja de la válvula. La válvula no requiere ajuste para la variación en la presión de agua dentro de su rango de operación.

11. Para establecer el funcionamiento correcto del fluxómetro, utilice el tornillo de ajuste para abrir la llave de paso por completo.
12. Active la fluxómetro varias veces.
13. En caso de flujo excesivo, ajuste gradualmente la llave de paso hacia la derecha hasta la posición cerrada utilizando el tornillo de ajuste, hasta que haya un flujo de agua adecuado en el aparato.
14. La tapa de la llave de paso deberá estar colocada después de realizar los ajustes finales.
15. Ajuste la tapa firmemente con una llave.



ADVERTENCIA: La llave de paso nunca deberá abrirse hasta el punto donde flujo del fluxómetro excede la capacidad de flujo del aparato. En caso de una falla de la válvula, el agua no debe desbordarse del aparato.

PRUEBA DE FUNCIONAMIENTO

1. **Para Inodoros:** Siéntese en el asiento del inodoro.
Para Urinarios Sitúese a menos de dos pies de distancia del frente del fluxómetro.
2. Quédese ahí durante 6 segundos o más y luego deje el asiento del inodoro o el urinario. La válvula se descargará de forma automática.
3. Pulse el botón manual de descarga y asegúrese de que la válvula se descarga correctamente y que la luz roja del sensor está encendida durante 2 segundos.
4. Vuelva a revisar todas las conexiones de las tuberías para buscar fugas de agua. Si el fluxómetro no funciona correctamente después de la prueba de funcionamiento, consulte la sección Solución de problemas en la p.27.

DESPUÉS DE LA INSTALACIÓN

Después que la unidad del fluxómetro se ha instalado correctamente, explique a sus clientes cómo utilizarla y dígales que sigan estas instrucciones:

1. No coloque ningún objeto delante de la ventana del sensor que podría obstruirlo y provocar un mal funcionamiento.
2. En caso de algún problema, consulte la sección Solución de problemas en la p.27. Si usted carece de los conocimientos necesarios requeridos o tiene dificultad para seguir las instrucciones de instalación, mantenimiento, reparaciones, solución de problemas o ajustes del producto, no proceda sin la ayuda de una persona calificada para ayudarle.

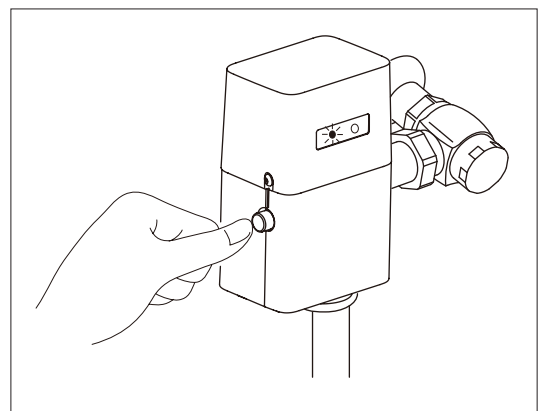
MANTENIMIENTO PERIÓDICO

Revise su fluxómetro EcoPower al menos una vez al mes de acuerdo a estas instrucciones para evitar el riesgo de daños a la propiedad.

Revise la tubería para ver si hay alguna fuga.

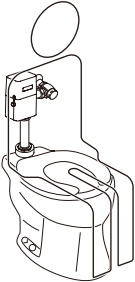
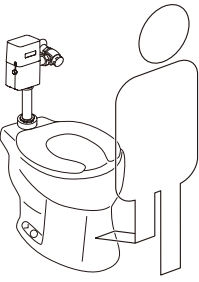

Pulse el botón manual de descarga y asegúrese de que la luz roja del sensor está encendida durante 2 segundos para ver si el generador funciona correctamente o no.

Si la luz roja no está encendida, revise el generador para ver si hay residuos atascados en la turbina.

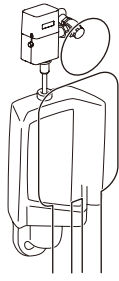
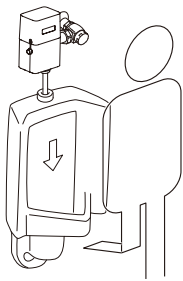
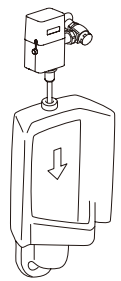


USO DEL FLUXÓMETRO

■ Uso fluxómetro del inodoro

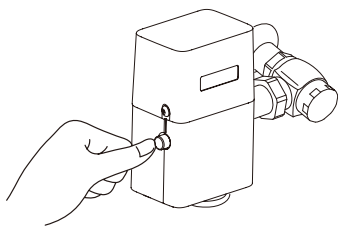
Sensor Infrarrojo	Descarga	Descarga Cada 24/12 Horas
 <p>El sensor infrarrojo detecta a un usuario del inodoro.</p>	 <p>Cuando el usuario permanece en el lugar más de 6 segundos antes de salir, el regulador le indica al equipo de operación que active el fluxómetro después de 3 segundos de retraso.</p>	 <p>Si no se utiliza el inodoro durante 24 horas, el sistema se descarga de manera automática como precaución de mantenimiento y de higiene.</p>

■ Uso fluxómetro del urinario

Sensor Infrarrojo	Descarga	Descarga Cada 24/12 Horas
 <p>El sensor infrarrojo detecta a un usuario que está de pie dentro de los 2 pies de distancia (600 mm) del frente del urinario.</p>	 <p>Cuando el usuario permanece en el lugar más de 6 segundos antes de salir, el regulador le indica al equipo de operación que active el fluxómetro después de 3 segundos de retraso. (Sin demora)</p>	 <p>Si no se utiliza el usuario durante 24 horas, (12 horas para TEU1LA y TEU1UA), el sistema se descarga de manera automática como precaución de mantenimiento y de higiene.</p>

■ Ambos

Botón De Descarga Manual



Utilice el botón de descarga manual para el mantenimiento o las emergencias.

RESOLUCIÓN DE PROBLEMAS

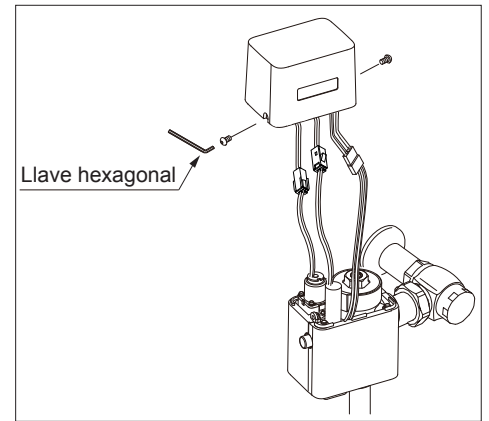
Problema	Causa Posible	Acción Sugerida	Página
No sale agua del fluxómetro	La válvula principal en la línea de suministro de agua o la llave de paso está cerrada	Abra la válvula principal o la llave de paso	-
	Uno o más cables no están conectados	Revise todas las conexiones de cable	-
	La superficie del vidrio en frente del sensor infrarrojo está sucia	Limpie la superficie del vidrio	-
	El vidrio está roto	Contacte a su distribuidor para obtener repuestos	-
	Hay una superficie reflectante en frente del sensor	Retire la superficie reflectante frente al sensor	30
	El sensor infrarrojo o el solenoide está malgrado	Contacte a su distribuidor para obtener repuestos	-
	Los pequeños agujeros en el diafragma del solenoide están atascados	Limpie el agujero pequeño en el diafragma y en el filtro	29
	El generador de energía hidráulica está atascado	Mantenimiento del generador de energía hidráulica	-
El agua no deja de fluir	El pequeño agujero en el pistón está atascado. (no para TEU1UA)	Limpie el agujero pequeño en el pistón	28
	El área de sellado del pistón está sucia. (no para TEU1UA)	Limpie el área de sellado del pistón	28
	El área de sellado del diafragma del solenoide está sucia.	Limpie el área de sellado del diafragma y del filtro	29
	El empaque U del pistón está dañado. (no para TEU1UA)	Inspeccione y reemplace si es necesario	28
Volumen de descarga es demasiado pequeño	El tornillo de la llave de paso no está ajustado correctamente	Ajuste la cantidad de descarga con el tornillo de la llave de paso	29
Volumen de descarga es demasiado			
La velocidad del flujo es demasiado baja	La presión de agua es demasiado baja	Consulte a un contratista de plomería	-
	La llave de paso no está abierta lo suficiente	Ajuste la llave de paso correctamente	29
La velocidad del flujo es demasiado alto	La llave de paso no está abierta lo suficiente	Ajuste la llave de paso correctamente	29
Una luz roja parpadea en la ventana del sensor	La batería tiene poca carga	Reemplace con la batería proporcionada por TOTO	29

NOTA: No desmonte las piezas del fluxómetro que no se especifican en la guía de solución de problemas.
Si necesita más ayuda, por favor llame al soporte técnico TOTO al (888) 295-8134.

■ DESMONTAJE

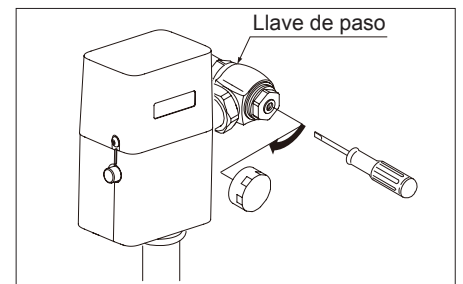
Si necesita desmontar toda la válvula del suministro de agua para darle mantenimiento, tome las siguientes precauciones:

1. Tenga cuidado de no perder o romper la arandela de fricción en la conexión de salida a la tuerca del rompedor de vacío. Para mantener un sellado adecuado, reemplace la arandela si es necesario.
2. Al volver a instalar la válvula al suministro de agua, evite pellizcar la junta tórica.

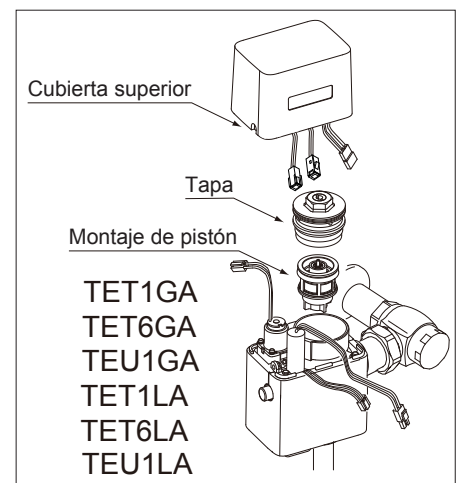


■ LIMPIEZA DEL MONTAJE DEL PISTÓN Y DEL FILTRO

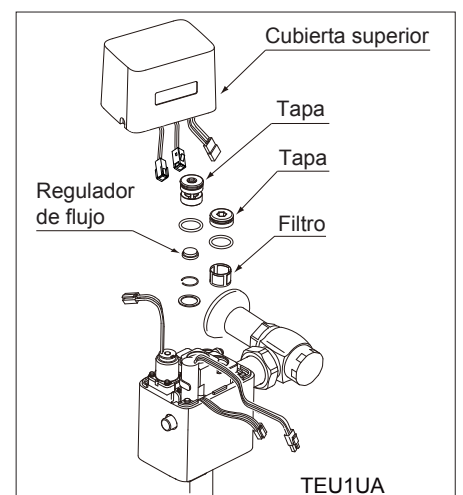
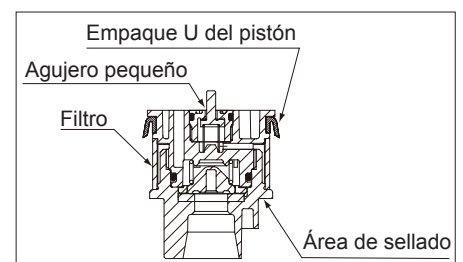
1. Gire el tornillo de la llave de paso hacia la derecha para cerrar el agua.



2. Saque el montaje del pistón (filtro para TEU1UA).



3. Revise el agujero pequeño en el pistón para ver si está atascado con desechos. Inserte un alambre pequeño para destapar el agujero si es necesario.
4. Revise el filtro para ver si está atascado con desechos y cepille suavemente para limpiar.
5. Revise el área de sellado del pistón y límpiela si está sucia.
6. Revise el empaque u para buscar fisuras o daños.

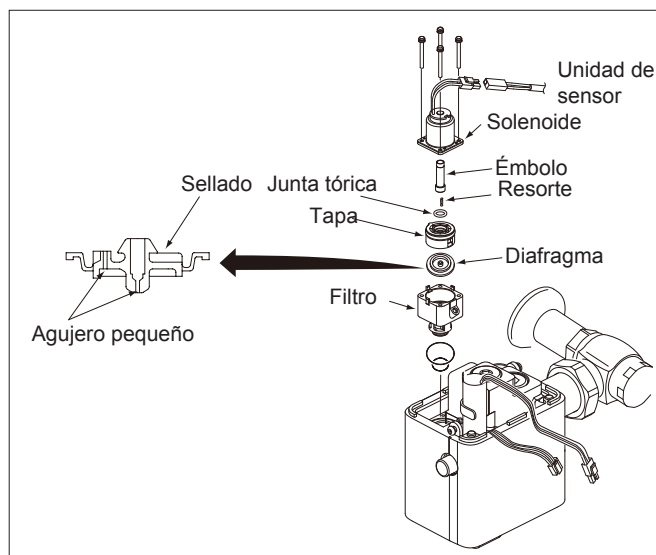


■ LIMPIEZA DEL DIAFRAGMA DEL FILTRO

1. Gire el tornillo de la llave de paso hacia la derecha para cerrar el agua.
2. Desconecte el solenoide.
3. Quite el solenoide y saque el diafragma. Luego, revise los agujeros pequeños y el área de sellado.

NOTA: Ver a continuación para el desmontaje.

NOTA: No estire o altere la forma del resorte en la válvula del solenoide de ninguna manera. Se anulará la garantía.



■ MÉTODO DE REVISE EL SOLENOIDE

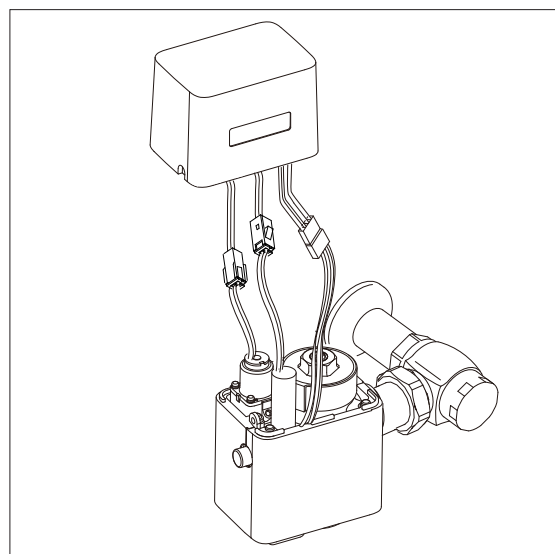
1. Asegurarse de que las baterías están colocadas correctamente y que los cables están conectados.
2. Con el suministro de agua cerrado, coloque su mano delante del sensor durante 6 segundos.
3. Retire y escuche un "clic" después de 3 segundos. Esto indica que el émbolo del solenoide se ha activado.

■ REEMPLAZO DE LA BATERÍA

Reemplace solo con la batería suministrada por TOTO. Se utiliza una batería especial de litio de respaldo.

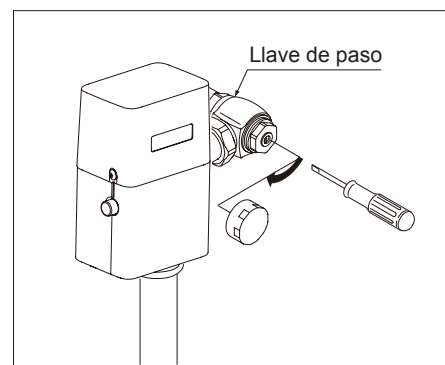
Si una luz roja en la ventana del sensor parpadea con el ciclo de 4 segundos, es hora de reemplazar la batería.

1. Retire la batería vieja.
2. Coloque la batería nueva en la posición correcta.



■ AJUSTE DEL FLUJO

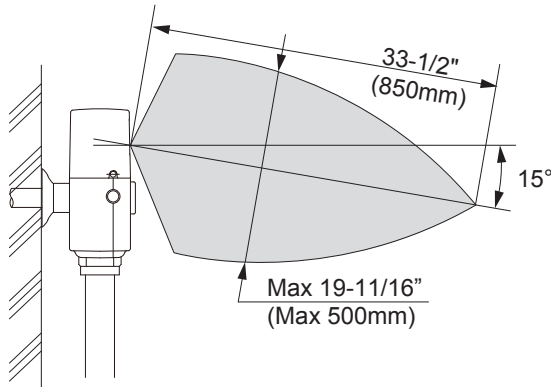
1. Ajuste el flujo con el tornillo de inflexión en la llave de paso.
2. Gire el tornillo hacia la derecha para disminuir el flujo y gire a la izquierda para aumentarlo.



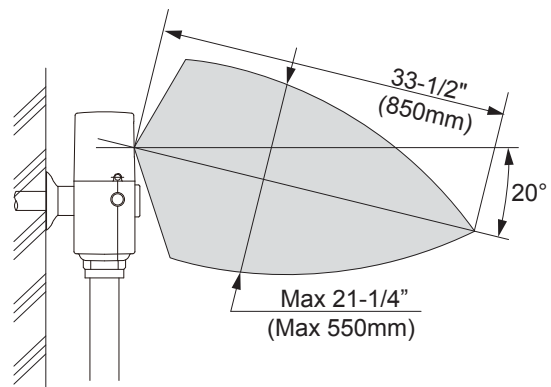
■ RANGO DE DETECCIÓN

El rango de detección del sensor infrarrojo se ha fijado en la fábrica y no necesita ajuste adicional.

TET1GA, TET1LA
TEU1GA, TEU1LA
TEU1LA



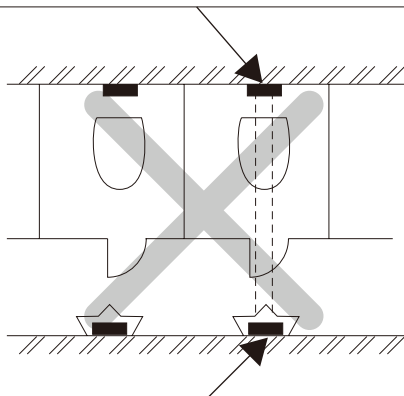
TET6LA
TET6GA



ADVERTENCIA

NO coloque el sensor infrarrojo de una fluxómetro de tal manera que esté en línea con el sensor de otra fluxómetro.

Sensor infrarrojo de la otra fluxómetro.

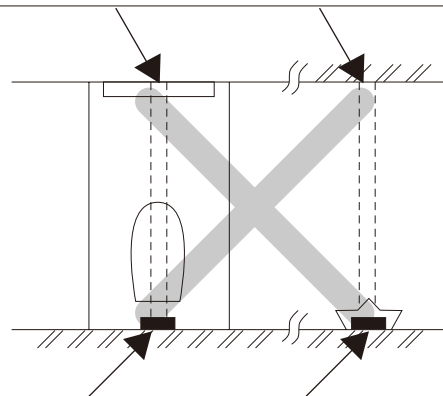


Sensor infrarrojo del fluxómetro.

ADVERTENCIA

NO coloque el sensor infrarrojo delante de un espejo.

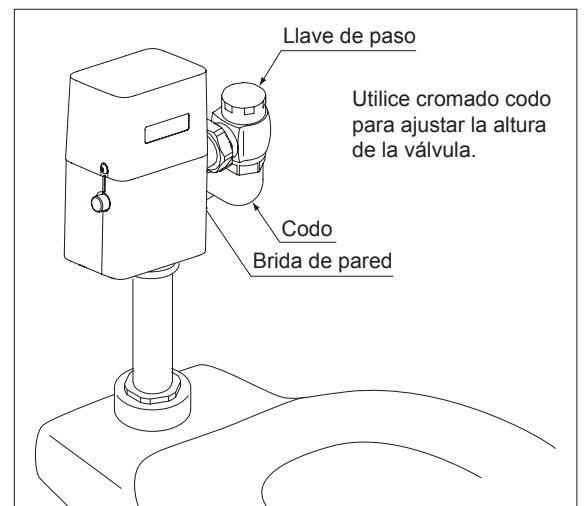
Espejo, pared sin mancha de acero y otra superficie altamente reflectante



Sensor infrarrojo del fluxómetro.

NOTA: La válvula puede no detectar a un usuario si el asiento del inodoro se deja en posición vertical. Esto puede ser debido a la dimensión aproximada o a la brecha del hueco del asiento comercial frontal. Baje el asiento o coordine con TOTO o otro contratista de plomería para cambiar la altura de la válvula.

En algunos casos, el sensor puede tener problemas para detectar a los usuarios que usen ropa negra.



GARANTÍA

1. TOTO® garantiza que sus fluxómetros, grifos y dispensadores de jabón automáticos ("Producto") no tienen defectos en los materiales y mano de obra durante su uso normal, cuando son adecuadamente instalados y cuidados, por un periodo de tres (3) años a partir de la fecha de compra. Esta garantía limitada se extiende únicamente al COMPRADOR ORIGINAL del Producto y no es transferible a ninguna tercera persona, incluyendo, pero sin limitarse a, cualquier comprador o dueño subsecuente del Producto. Esta garantía aplica únicamente al Producto TOTO adquirido e instalado en América del Norte, Central y del Sur.
2. Las obligaciones de TOTO bajo esta garantía se limitan a reparar, reemplazar u otro ajuste adecuado, a elección de TOTO, del Producto o partes que estén defectuosas con el uso normal, dado que dicho Producto haya sido adecuadamente instalado, utilizado y cuidado de determinar la causa del defecto. TOTO no cobrará por el trabajo o partes relacionados con las reparaciones o cambios de la garantía. TOTO no es responsable por el costo de remoción, devolución y/o reinstalación del Producto.
3. Esta garantía no aplica a los siguientes puntos:
 - a. Daño o pérdida ocurridos en una calamidad natural, tal como un incendio, terremoto, inundación, truenos, tormenta eléctrica, etc.
 - b. Daño o pérdida resultado de cualquier accidente, uso no razonable, mal uso, abuso, negligencia o cuidado, limpieza o mantenimiento inadecuado del Producto.
 - c. Daño o pérdida resultado de sedimentos o materia extraña contenidos en un sistema de aguas.
 - d. Daño o pérdida resultado de una instalación inadecuada o de la instalación del Producto en un ambiente riguroso y/o peligros, o la remoción, reparación o modificación inadecuada del Producto.
 - e. Daño o pérdida resultado de sobrecarga eléctrica o rayos u otros actos que no sean culpa de TOTO o que el Producto no esté especificado para tolerar.
 - f. Daño o pérdida resultado del desgaste normal y acostumbrado, tal como reducción del brillo, rayado u opacamiento en el tiempo debido al uso, prácticas de limpieza o agua o condiciones atmosféricas, incluyendo pero sin limitarse a, el uso de cloro, limpiadores alcalinos o ácidos, limpiadores secos (talco) u otros limpiadores abrasivos o el uso de estropajos de metal o nylon.
4. Con el fin de que esta garantía limitada sea válida, se requiere una prueba de compra. TOTO le aconseja el registro de la garantía al momento de la compra para crear un registro de la propiedad del Producto en <http://totousa.com>. El registro del Producto es completamente voluntario y no hacerlo no disminuirá los derechos de su garantía limitada.
5. ESTA GARANTÍA LE OTORGA DERECHOS LEGALES ESPECÍFICOS. USTED PUEDE TENER OTROS DERECHOS QUE PUEDEN VARIAR ENTRE ESTADOS, PROVINCIAS O PAÍSES.
6. Para obtener un servicio de reparación por garantía bajo esta garantía, debe llevar el Producto o enviarlo prepagado a las instalaciones de servicio TOTO junto con su prueba de compra (recibo de venta original) y una carta declarando el problema, o póngase en contacto con un distribuidor de TOTO o contratista de servicio de productos, o escriba directamente a TOTO U.S.A., INC., 1155 Southern Road, Morrow, GA 30260 (888) 295 8134 ó (678) 466 1300, si está fuera de los Estados Unidos. Si, debido al tamaño del Producto o naturaleza del defecto, el Producto no puede devolverse a TOTO, la recepción de TOTO del aviso por escrito del defecto junto con la prueba de compra (recibo de venta original) constituirá el envío. En tal caso, TOTO puede elegir entre reparar el Producto en la ubicación del comprador o pagar el transporte del Producto a unas instalaciones de servicio.

ESTA GARANTÍA ESCRITA ES LA ÚNICA GARANTÍA HECHA POR TOTO. LA REPARACIÓN, CAMBIO U OTRO AJUSTE ADECUADO, SEGÚN LO ESTIPULADO EN ESTA GARANTÍA, SERÁ EL ÚNICO REMEDIO DISPONIBLE PARA EL COMPRADOR ORIGINAL. TOTO NO SERÁ RESPONSABLE DE LA PÉRDIDA DEL PRODUCTO O DE OTROS DAÑOS INCIDENTALES, ESPECIALES O CONSECUENCIALES O GASTOS INCURRIDOS POR EL COMPRADOR ORIGINAL, O PARA EL TRABAJO U OTROS COSTOS DEBIDO A LA INSTALACIÓN O REMOCIÓN, O COSTOS DE REPARACIONES HECHAS POR TERCEROS, O POR CUALQUIER OTRO GASTO NO DECLARADO ESPECÍFICAMENTE ARRIBA. EN NINGÚN CASO, LA RESPONSABILIDAD DE TOTO EXCEDERÁ EL PRECIO DE COMPRA DEL PRODUCTO. EXCEPTO AL GRADO PROHIBIDO POR LA LEY APLICABLE, CUALQUIER GARANTÍA IMPLÍCITA, INCLUYENDO LA DE COMERCIABILIDAD O ADECUACIÓN PARA SU USO O PARA UN PROPÓSITO EN PARTICULAR, SE DECLARARÁ EXPRESAMENTE. ALGUNOS ESTADOS NO PERMITEN LAS LIMITACIONES EN LA DURACIÓN DE UNA GARANTÍA IMPLÍCITA, O LA EXCLUSIÓN O LIMITACIÓN DE LOS DAÑOS INCIDENTALES O CONSECUENCIALES, POR LO QUE LA LIMITACIÓN O INCLUSIÓN ANTERIORES PUEDE NO APLICAR PARA USTED.

TABLE DES MATIÈRES

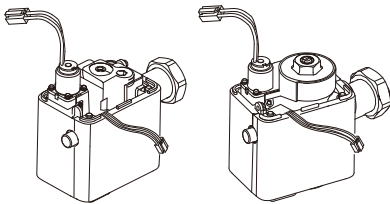

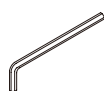
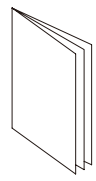
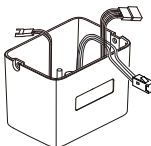
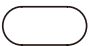
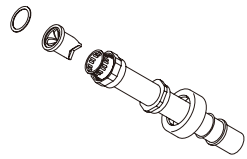
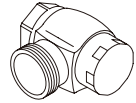
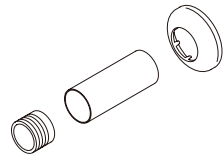
Merci d'avoir choisi TOTO!.....	32
Pièces incluses.....	32
Outils communs nécessaires.....	33
Entretien et nettoyage.....	33
Traits.....	33
Caractéristiques.....	34
Informations techniques.....	35
Prudence.....	36
Avant l'installation.....	36
Procédure d'installation.....	37
Essai.....	40
Remarque d'installation.....	40
Entretien périodique.....	40
À l'aide de la valve de chasse.....	41
Dépannage.....	42
Garantie.....	46
Robinetterie brute.....	62

MERCI D'AVOIR CHOISI TOTO!

La mission de TOTO est d'offrir au monde entier un style de vie sain, hygiénique et plus confortable. Comme principe de base, nous concevons chaque produit avec un équilibre entre la forme et la fonction. félicitations pour votre choix.

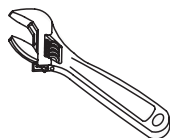
PIÈCES INCLUSES

Vérifiez que toutes les pièces sont incluses dans votre paquet*:

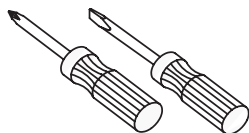
<p><i>TEU1UA</i> <i>toutes les vannes à l'exception de TEU1UA</i></p>  <p>Ensemble de corps de valve</p>	 <p>Batterie Backup</p>	 <p>Vis</p>	 <p>Hexagonale fournie</p>	 <p>Manuel d'installation et de propriétaire</p>
 <p>Couvercle</p>	<p>Pour TEU1UA12, TEU1LA(12,22), TEU1GA(12,22), TET1LA32, TET6LA32, TET1GA32, TET6GA32</p>			
 <p>Valve de chasse de toilette Étiquette de notice</p>	 <p>Tube de reniflard (avec un raccordement)</p>	 <p>Soupape de contrôle</p>	 <p>Ensemble d'adaptateurs à souder (Rosaca, Tubo pour couvrir Adaptateur)</p>	

* En réalité le produit peut varier en apparence, selon le modèle.

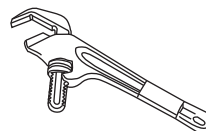
OUTILS COMMUNS NÉCESSAIRES



Clé à molette



Tournevis (Phillips and à fente)



Clé à pipe

ENTRETIEN ET NETTOYAGE

IMPORTANT! Ne pas rayer le capteur lors du nettoyage du produit.

- Évitez d'utiliser tout matériel de nettoyage qui pourraient rayer la surface.
- Ne jamais utiliser de poudre de polissage, détergent qui comprend de grosses particules, de diluants, benzène, acides, alcalins ou de brosse à récurer en nylon, comme ceux ci pourrait endommager la surface.
- Pour nettoyer la surface en toute sécurité, essuyez la avec une chiffon doux et humide, imbibé de savon vaisselle dilué et séchez avec un autre chiffon doux. Si cela ne nettoie pas convenablement la surface, essuyez la surface avec un détergent neutre et un chiffon humide.

TRAITS

Entièrement automatique et hygiénique

La valve de chasse EcoPower utilise un capteur infrarouge pour détecter si l'utilisateur utilise et quitte l'appareil de plomberie, afin de produire une chasse automatique après un court délai. Aucune opération manuelle n'est nécessaire, améliorant ainsi l'expérience de l'utilisation et l'hygiène de l'appareil de plomberie.

Minuterie de protection du système

La valve de chasse EcoPower dispose d'un bouton rinçage manuel pour l'entretien et l'utilisation d'urgence.

Fonctionnalité manuelle

La valve de chasse EcoPower dispose d'un bouton rinçage manuel pour l'entretien et l'utilisation d'urgence.

Traits Écologiques

Conserve l'énergie

La valve de chasse EcoPower peut détecter à quelle fréquence et pendant combien de temps l'appareil de plomberie a été utilisé pour fournir la quantité correcte d'eau. (Consultez À Propos du Générateur Hydropowered)

Conserve l'eau

Deux fonctions aident la valve de chasse EcoPower à conserver l'eau:

Contrôle de Logique Floue

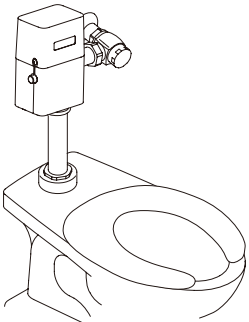
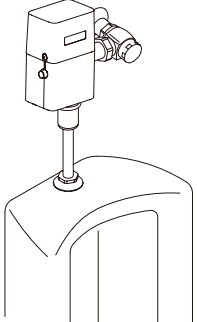
La valve de chasse EcoPower peut détecter à quelle fréquence et pendant combien de temps l'appareil de plomberie a été utilisé pour fournir la quantité correcte d'eau. (Consultez à propos du Contrôle de Logique Floue)

Anti-Chasse Consécutive

La valve de chasse EcoPower offre la prévention de chasses consécutives pour économiser l'eau. Après une chasse d'eau, la valve ne videra pas automatiquement à nouveau pendant 10 secondes pour les urinoirs et 30 secondes pour les toilettes.

La valve de chasse EcoPower de TOTO est conçue pour fonctionner pendant 10 ans, dans des conditions normales, sans aucune utilisation minimale requise.

CARACTÉRISTIQUES

		Toilettes		Urinoirs	
Figure					
Numéro de modèle		TET1GA TET6GA	TET1LA TET6LA	TEU1GA	TEU1LA TEU1UA
Volume de chasse nominal à 28 psi (196kPa)		1.6 G (6 L)	1.28 G (4.8 L)	Contrôle de Logique Floue 0.5 G (1.9L) Typique 1.0 G (3.8 L)	0.5 G (1.9 L) 0.125 G (0.47 L)
Type de toilettes / urinoirs		Toilette avec soupape de chasse		Lavage à grande eau urinoir	
Entrée d'soupape de contrôle		1" NPT		3/4" NPT	
Soupape d'admission		1-1/4" NPSM			
Soupape d'sortie		1-1/2" NPSM			
Pression de l'eau source d'eau	Min (Floue)	15 psi (103 kPa)	35 psi (241 kPa)	15 psi (103 kPa)	
	Max* (Statique)	125 psi (862 kPa)	125 psi (862 kPa)	125 psi (862 kPa)	
Pression d'arrêt		7 psi (48 kPa)			
Dimension de la couverture		7" (H) x 4-9/16" (W) x 3-3/16" (D) (178 mm (H) x 115 mm (W) x 81 mm (D))			
Plage de détection frontal		À l'intérieur de 33-1/2" (850 mm)			
Retard de détection		6 s			
Minuterie de Protection du Système		Toutes les 24 heures		Toutes les 12 heures	
Température ambiante		32-104°F (0-40°C)			
Température de l'eau		34-104°F (1-40°C)			

REMARQUE :

La pression minimale requise pour la vanne dépend du type d'appareil sanitaires. Consulter le fabricant de luminaire pour la condition de pression.

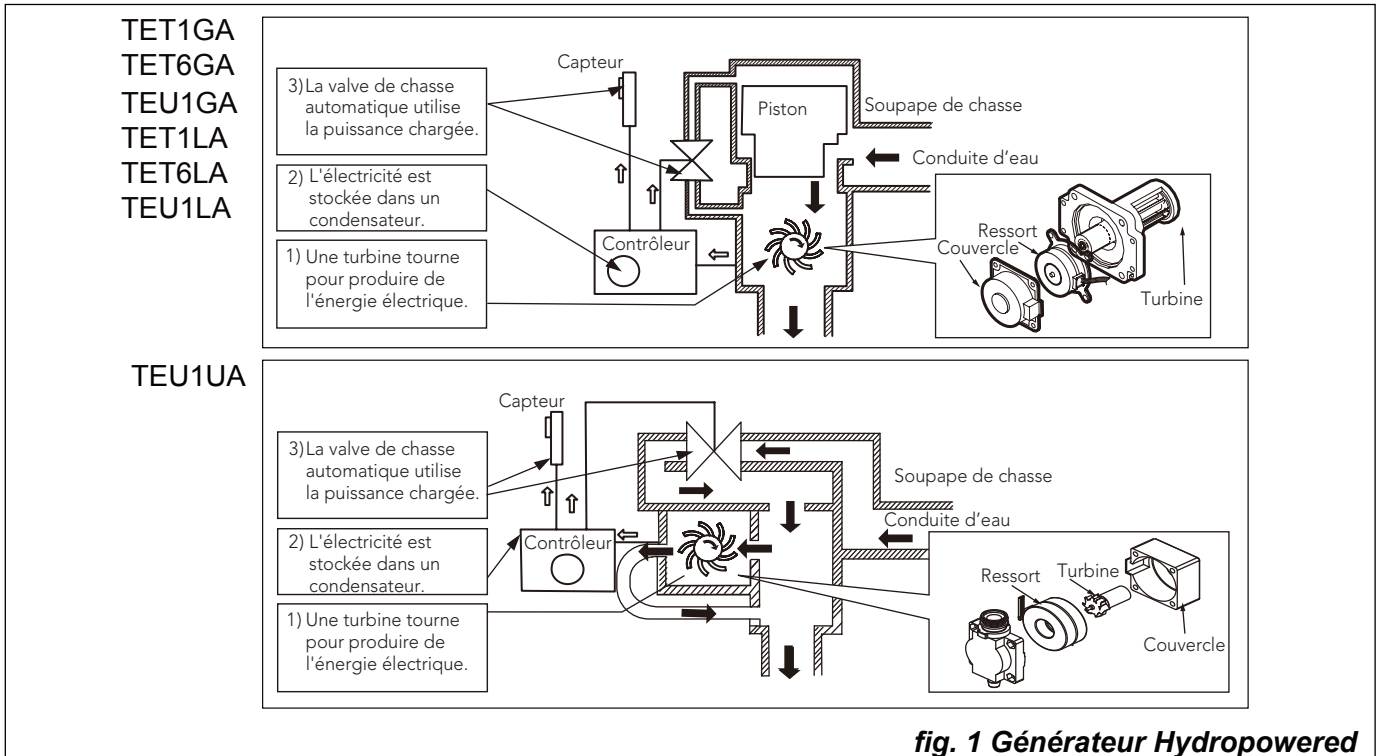
* Pressions de l'eau plus de 80 psi ne sont pas recommandés

INFORMATIONS TECHNIQUES

À Propos du Générateur Hydropowered

Le débit d'eau entraîne la rotation de la turbine dans le générateur. Ce processus génère de l'électricité et permet à la valve de chasse automatique de fonctionner.

Consultez fig. 1 ci-dessous.



PRUDENCE

Veillez lire et respecter ces consignes. Tout manquement à ces instructions peut entraîner des blessures corporelles ou des dommages matériels.

- Ne jamais projeter de l'eau sur le contrôleur. La valve de chasse EcoPower est un appareil électrique. Risque de dysfonctionnement du produit.
- Ne frappez pas et ne donnez pas de coup de pied sur la valve de chasse EcoPower. Risque de dysfonctionnement du produit ou de fuite d'eau.
- N'utilisez pas la valve de chasse EcoPower à des températures supérieures à ce que les codes locaux ou les spécifications permettent. Risque de dysfonctionnement du produit.
- Ne placez pas un élément dans une pièce humide comme la zone de douche ou au sauna. Risque de dysfonctionnement du produit.
- N'essayez jamais de démonter, remonter, réparer ou modifier la valve de chasse EcoPower sauf si vous êtes un professionnel. Risque de dysfonctionnement du produit et de décharge électrique.

AVANT L'INSTALLATION

Important : L'installation de plomberie doit être conforme aux codes et règlements en vigueur. Les conduites d'eau doivent être dimensionnées pour fournir un volume suffisant d'eau pour chaque appareil de plomberie. Vidangez toutes les conduites d'eau avant l'opération.

1. Avant d'installer votre valve de chasse, installez les éléments énumérés ci-dessous :

- Appareil de plomberie de cuvette/appareil de plomberie d'urinoir
- Tuyau de vidange
- Conduite d'eau

La tuyauterie d'alimentation de ces appareils doit être solidement fixée à la structure du bâtiment pour empêcher l'appareil installé de se déplacer durant l'utilisation. Faites attention lors de l'installation de l'appareil d'égratigner la surface exposée.

Sauf pour TET6GA et TET6LA, installez la valve de chasse donc l'arrêt du contrôle est pas moins de 282 mm (11-1/8 po) au-dessus de la cuvette/urinoir. Pour TET6GA et TET6LA, installez la valve de chasse de telle façon que le vâlvula de ponto soit à 685,8 mm (27 po) au-dessus de la cuvette/urinoir. Consultez les codes locaux pour les exigences particulières.

2. Prenez soin de ne pas endommager la surface du capteur infrarouge.

3. **Pour la valve de chasse de toilette :**

La valve de chasse de toilette peut ne pas fonctionner si le siège de toilette et/ou le dessus de couvercle restent verticaux car il peut bloquer le capteur.

Pour valve de chasse d'urinoir :

La valve de chasse d'urinoir est conçue pour des performances optimales avec les urinoirs à alimentation et lavage à chasse directe pour une performance optimale, mais un urinoir à évacuation siphonique peut-être substitué. Les urinoirs à alimentation et lavage à chasse directe ne sont pas recommandés.

4. Consultez la plage de détection du capteur infrarouge à la p.45

Pour éviter tout dysfonctionnement de la valve, n'installez pas de main courante ou tout autre objet dans la plage de détection du capteur. N'installez pas la valve de chasse où le capteur fait face à un miroir, un mur en acier inoxydable, d'autres surfaces hautement réfléchissantes ou un autre capteur infrarouge.

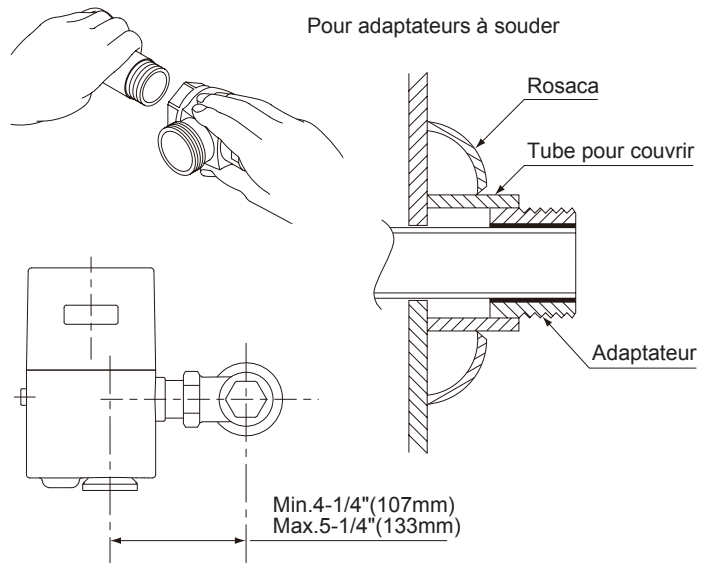
PROCÉDURE D'INSTALLATION

REMARQUE : Pour l'installation rétroactive, enlevez l'ancienne valve de chasse après avoir coupé le válvula de ponto.

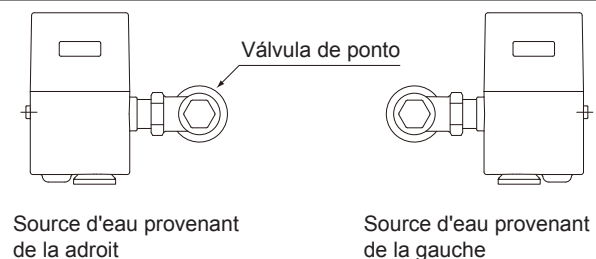
1. Installez le válvula de ponto à l'aide de la rosace de taille correcte et un ensemble d'adaptateurs à souder, le cas échéant.

Des composés d'étanchéité doivent être utilisés sur les filets NPT mâles seulement.

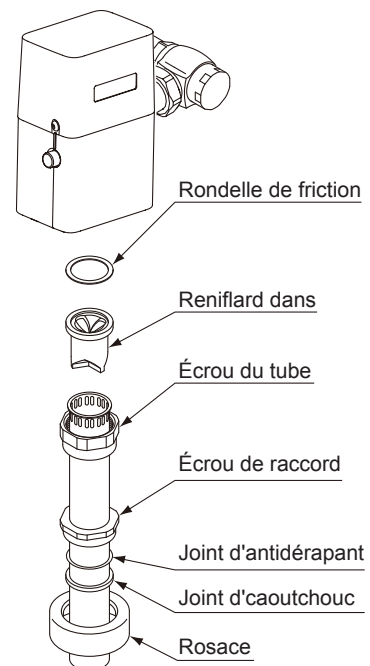
La distance du centre du válvula de ponto au centre de la valve de chasse devrait être entre 107 mm à 133 mm (4-1/4 à 5-1/4 po).



Pour une utilisation avec alimentation en eau de la gauche, fixez le dessus de couvercle du capteur dans le sens inverse donc le capteur sera à l'avant.

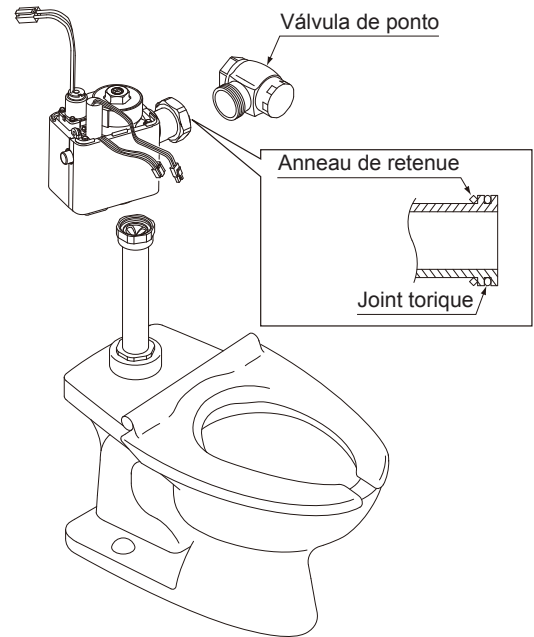


2. Déterminez la longueur du tube de reniflard pour rejoindre la valve de chasse et l'écrou-raccord de l'appareil de plomberie. Si nécessaire, coupez le tube de reniflard à la bonne longueur.
3. Assemblez l'écrou-raccord au raccord d'appareil de plomberie. Serrez à la main l'écrou-raccord de l'appareil de plomberie.

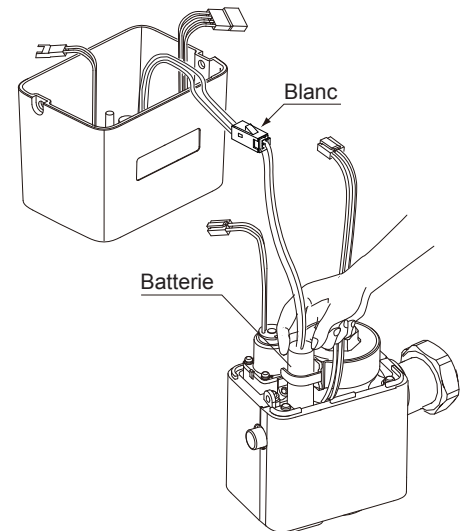


PROCÉDURE D'INSTALLATION

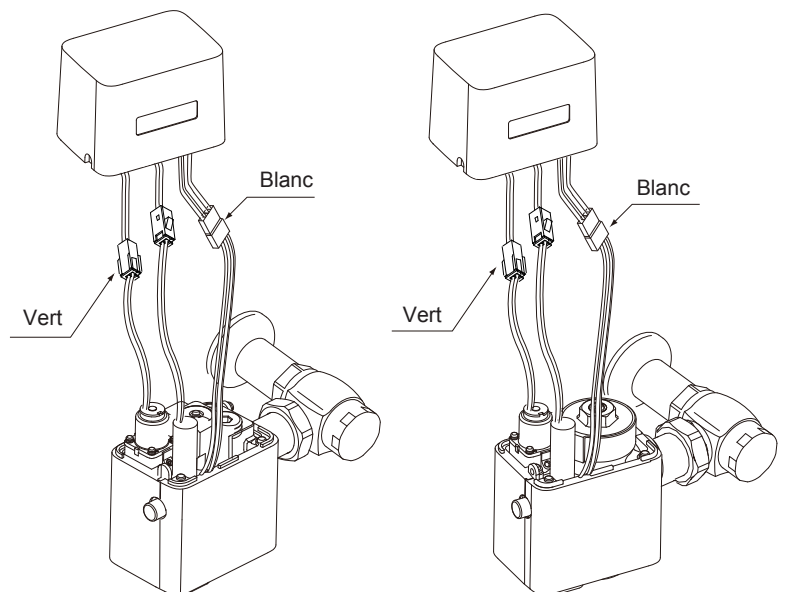
4. Avant d'insérer la pièce de raccordement de la valve de chasse dans le válvula de ponto, assurez-vous que le joint torique est dans la rainure à l'extrémité de la pièce de raccordement, l'écrou de blocage et le circlip sont placés comme indiqué.
5. Raccordez la valve de chasse avec le válvula de ponto et le tuyau de reniflard. Prenez soin de ne pas endommager le joint torique lorsque vous insérez la pièce de raccordement dans le válvula de ponto. Si la lubrification est nécessaire, mouillez le joint torique avec de l'eau est suffisant.
6. Alignez la valve de chasse et serrez bien l'écrou de raccord de l'appareil de plomberie, l'écrou du tube reniflard et un contre-écrou avec une clé.



7. Branchez le câble de batterie avec le contrôleur et mettez la batterie en place.



8. Connectez les câbles de la vanne électromagnétique et du générateur avec les câbles du contrôleur.

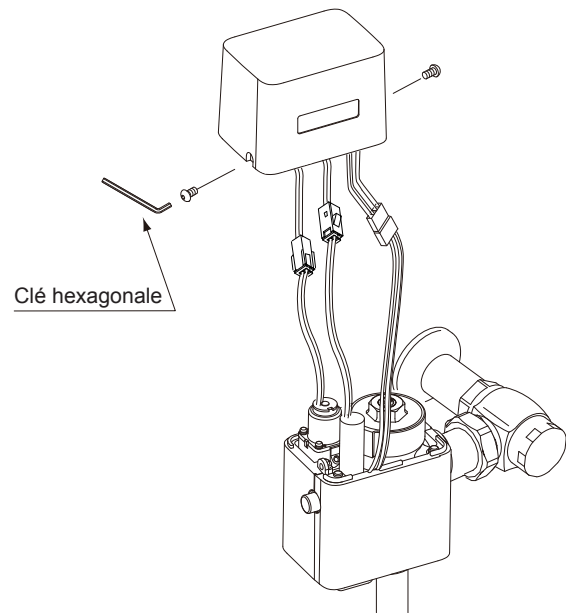


TEU1UA

Toutes les vannes à l'exception de TEU1UA

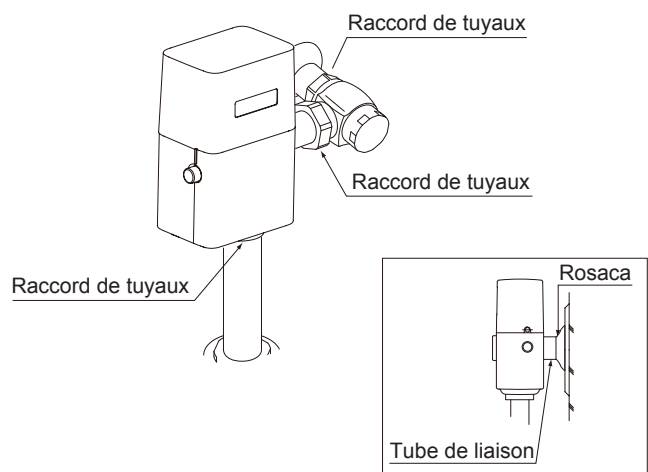
PROCÉDURE D'INSTALLATION

9. Fixez le dessus de couvercle du capteur sur le ensemble de corps avec les vis et la clé hexagonale fournies.



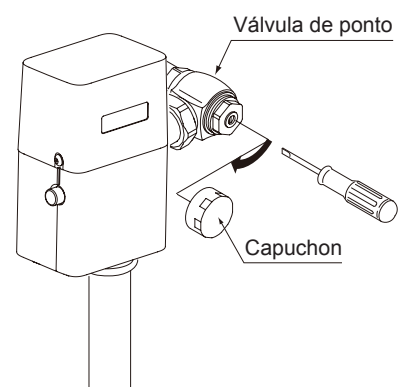
10. Avant que l'eau d'alimentation soit alimentée, veillez à ce que toutes les fuites d'eau soient éliminées en serrant tous les raccords de tuyaux.

REMARQUE : Si pour une raison quelconque, il devient nécessaire d'enlever le vâlvula de ponto, assurez-vous que l'eau est coupée à la valve principale d'arrivée.



Les vâlvulas de chasse sont préréglées pour le volume de l'appareil de plomberie tel qu'indiqué sur le carton de la valve. La valve ne nécessite pas de réglage pour la variation de pression d'eau dans sa plage de fonctionnement.

11. Pour régler la valve de chasse pour un fonctionnement correct, utilisez la vis de réglage pour ouvrir le vâlvula de ponto complètement.
12. Activez la valve de chasse plusieurs fois.
13. Dans le cas de débit excessif, ajustez graduellement le vâlvula de ponto dans le sens horaire, vers la position fermée, à l'aide de la vis de réglage, jusqu'à ce qu'il y ait écoulement d'eau approprié dans l'appareil de plomberie.
14. Le bouchon pour le vâlvula de ponto doit être placé après avoir effectué ses derniers réglages.
15. Serrez le bouchon fermement avec une clé.



AVERTISSEMENT : Le soupape de contrôle ne doit jamais être ouvert jusqu'au point où le débit de la valve de chasse dépasse le volume de l'appareil. Dans le cas d'une panne de la valve, l'eau doit non déborder de l'appareil de plomberie.

ESSAI

1. **Pour les toilettes:** Asseyez-vous sur le siège de toilette.

Pour l'urinoir: Tenez-vous en dedans de deux pieds de l'extrémité de la valve de chasse.

2. Restez-y pendant 6 secondes ou plus et éloignez-vous ensuite du siège de toilette ou de l'urinoir. La valve se videra automatiquement.

3. Appuyez sur le bouton de rinçage manuel et assurez-vous que la valve chasse correctement et que le capteur de lumière rouge de la sonde est allumé pendant 2 secondes.

4. Vérifiez à nouveau tous les raccords de tuyaux pour les fuites d'eau. Si la valve de chasse ne fonctionne pas correctement après la série de tests, consultez la section de Dépannage sur la p.42.

REMARQUE D'INSTALLATION

Une fois que l'unité de valve de chasse a été installée correctement, veuillez expliquer à votre client comment l'utiliser et dites-lui de respecter ces consignes :

1. Ne pas mettre aucun objet devant la fenêtre du capteur qui pourrait faire obstacle à la sonde, ce qui provoquerait son dysfonctionnement.
2. En cas de problème, consultez la section Dépannage à la p.42. Si vous n'avez pas les compétences requises ou si vous avez du mal à suivre les consignes d'installation, d'entretien, de réparation, de dépannage ou d'ajustement du produit, ne procédez pas sans l'aide d'une personne qualifiée pour vous aider.

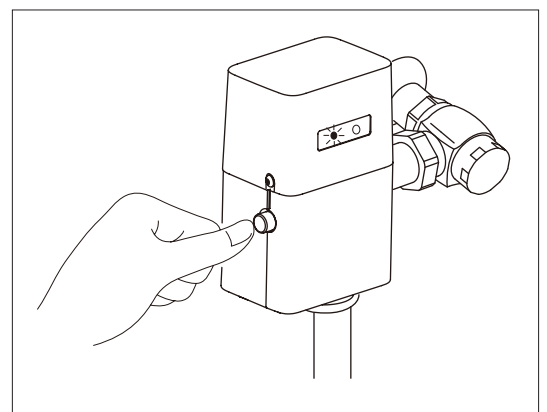
ENTRETIENS PÉRIODIQUE

Veuillez vérifier la valve de chasse EcoPower au moins une fois par mois selon les instructions suivantes pour éviter tout risque de dommage à la propriété.

Vérifiez la tuyauterie pour voir s'il n'y a aucune fuite.

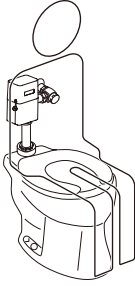
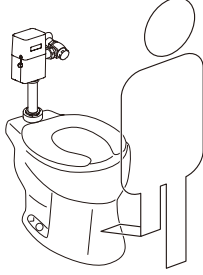

Appuyez sur le bouton de chasse manuelle et vérifiez que le capteur de lumière rouge est allumé pendant 2 secondes pour voir si le générateur fonctionne correctement ou non.

Si le voyant rouge n'est pas allumé, vérifiez le générateur pour voir si un débris bouche la turbine.

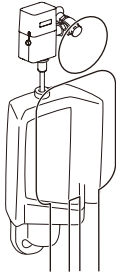
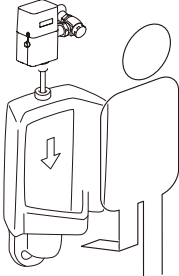
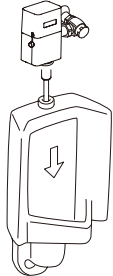


À L'AIDE DE LA VALVE DE CHASSE

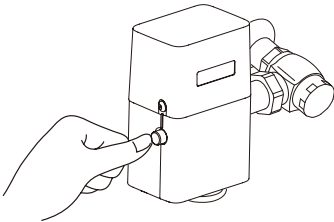
■ À l'aide de valve de chasse de toilette

Capteur Infrarouge	Chasse d'eau	Chasse d'eau toutes les 24/12 heures
 <p>Le capteur infrarouge détecte un utilisateur de la toilette.</p>	 <p>Quand l'utilisateur reste en place plus de 6 secondes avant de partir, le contrôleur signale à l'unité de commande de déclencher la valve de chasse après un délai de 3 secondes.</p>	 <p>Si la toilette n'est pas utilisée pendant 24 heures, le système assure automatiquement une chasse d'eau soit déclenchée comme entretien et précaution hygiénique.</p>

■ À l'aide de valve de chasse d'urinoir

Capteur Infrarouge	Chasse d'eau	Chasse d'eau toutes les 24/12 heures
 <p>Le capteur infrarouge détecte un utilisateur à moins de 600 mm (2 pi) de l'avant de l'urinoir.</p>	 <p>Quand l'utilisateur reste en place plus de 6 secondes avant de partir, le contrôleur signale à l'unité de commande de déclencher la valve de chasse (Pas de retard).</p>	 <p>Si d'urinoir n'est pas utilisée pendant 12 heures le système assure automatiquement une chasse d'eau soit déclenchée comme entretien et précaution hygiénique.</p>

■ Les deux

Le Bouton de Chasse Manuel
 <p>Utilisez le bouton de chasse manuel d'entretien ou de situation d'urgence.</p>

DÉPANNAGE

Difficulté	Cause Possible	Suggestion d'Action	Page
Aucune eau ne provient de la valve de chasse	La valve principale dans la canalisation d'eau ou du contrôle d'arrêt est coupée	Ouvrez la valve principale ou le válvula de ponto	-
	Un ou plusieurs câbles non connectés	Vérifiez toutes les connexions de câbles	-
	La surface du verre devant le capteur infrarouge est sale	Nettoyez la surface de verre	-
	Le verre est cassé	Communiquez avec le distributeur pour le remplacement	-
	Il y a une surface réfléchissante devant le capteur	Retirez la surface réfléchissante devant le capteur	45
	Le capteur infrarouge ou la vanne électromagnétique est hors d'usage	Communiquez avec le distributeur pour le remplacement	-
	Les petits trous dans la membrane de la vanne électromagnétique sont bouchés	Nettoyez le petit trou dans la membrane et le filtre	44
	Le générateur d'énergie hydroélectrique est bouché	Faites l'entretien du générateur d'énergie hydroélectrique	-
L'eau n'arrête pas de couler	Le petit trou dans le piston est bouché (pas pour TEU1UA)	Nettoyez le petit trou dans le piston	43
	La zone d'étanchéité du piston est sale (pas pour TEU1UA)	Nettoyez la zone d'étanchéité du piston	43
	La zone d'étanchéité de la membrane de la vanne électromagnétique est sale	Nettoyez la zone d'étanchéité de la membrane et du filtre	44
	La garniture en U (u-packing) du piston est endommagée (pas pour les TEU1UA)	Inspecter et remplacer si nécessaire	43
Le volume de décharge est trop petit	La vis du válvula de ponto n'est pas correctement réglée	Ajustez la quantité de décharge par la vis du válvula de ponto	44
Le volume de décharge est trop grand			
Le débit est trop faible	La pression d'eau est trop faible	Consultez un entrepreneur en plomberie	-
	Le válvula de ponto n'est pas assez ouvert	Ajustez la quantité de décharge par la vis du válvula de ponto	44
Le débit est trop élevé	Le válvula de ponto n'est pas correctement réglé	Ajustez la quantité de décharge par la vis du válvula de ponto	44
Une lumière rouge dans la fenêtre du capteur clignote	La batterie est faible	Remplacez par une batterie fournie par TOTO	44

REMARQUE :

Ne démontez pas les pièces de la valve de chasse qui ne sont pas spécifiées dans le guide de dépannage.

Si vous avez besoin d'aide, s'il vous plaît appelez TOTO Technical Support à (888) 295-8134.

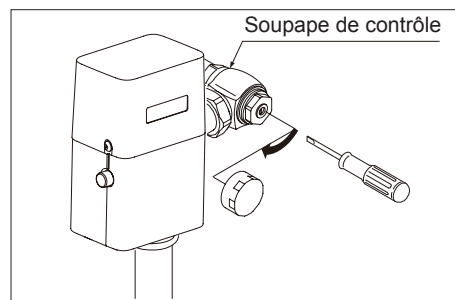
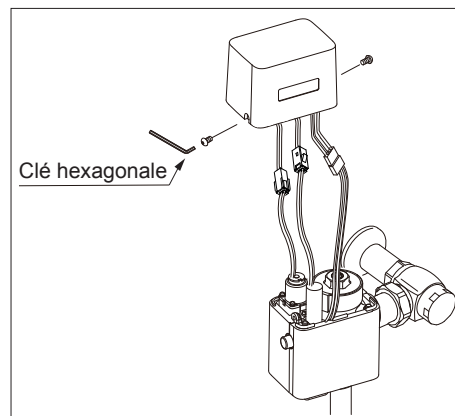
■ DÉMONTAGE

Si la valve entière doit être retirée de l'alimentation en eau pour l'entretien, veuillez prendre note de la mise en garde ci-dessous :

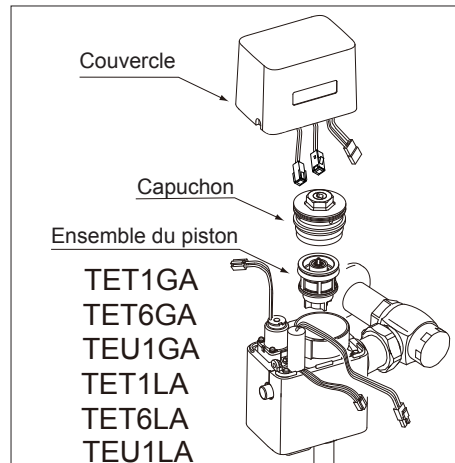
1. Veillez ne pas perdre ou déchirer la rondelle de friction à la connexion de sortie à l'écrou du tube reniflard. Pour maintenir une bonne étanchéité, remplacez la rondelle si nécessaire.
2. Soyez prudent lorsque vous réinstallez la valve à l'approvisionnement en eau pour éviter de pincer le joint torique.

■ NETTOYAGE DE L'ENSEMBLE PISTON ET FILTRE

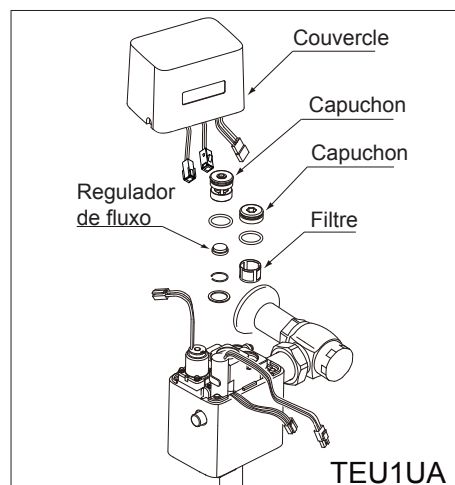
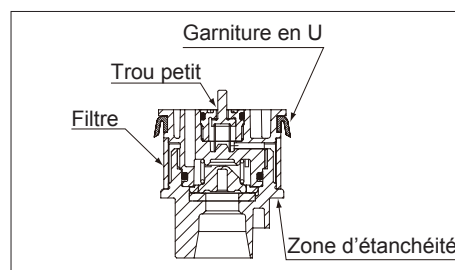
1. Tournez la vis du soupape de contrôle dans le sens horaire pour couper l'eau.



2. Débranchez l'ensemble piston (Filtre pour TEU1UA).



3. Vérifiez le petit trou dans le piston pour voir s'il est bouché par des débris. Insérez un petit fil pour déboucher les trous si nécessaire.
4. Vérifiez le filtre pour voir s'il est bouché par des débris et brossez-le doucement pour le nettoyer.
5. Vérifiez la zone d'étanchéité du piston et nettoyez-la si elle est sale.
6. Vérifiez la garniture en U pour déceler les fissures ou les dommages.

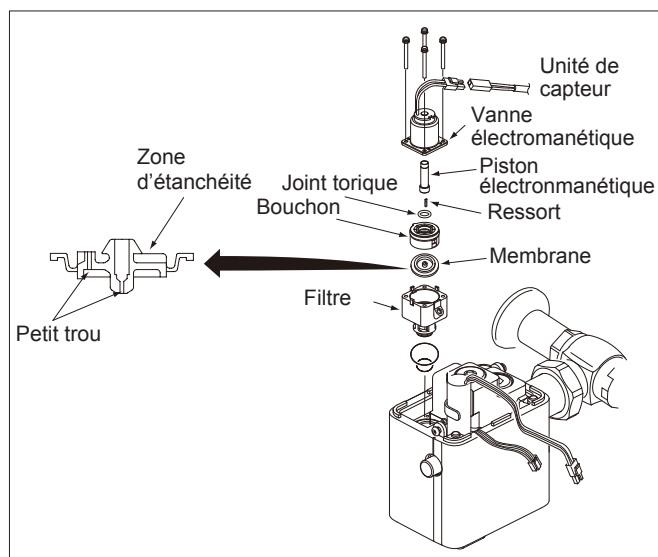


■ NETTOYAGE DU FILTRE ET DE LA MEMBRANE

1. Tournez la vis du vlvula de ponto dans le sens horaire pour couper l'eau.
2. Dbrancez la vanne lectromagntique.
3. Dposez la vanne lectromagntique et retirez la membrane. Vrifiez ensuite les petits trous et la zone d'tanchit.

REMARQUE : Voyez ci-dessous pour le dmontage.

REMARQUE : N'tirez pas ou ne modifiez pas la forme du ressort de la vanne lectromagntique d'aucune faon. Cela annulera la garantie.



■ VRIFIER LA VANNE LECTROMAGNTIQUE

1. Assur que la pile est correctement place et que les cbles sont connects.
2. Avec une alimentation en eau ferme, placez la main devant le dtecteur pendant 6 secondes.
3. Retirez-le et coutez pour entendre un bruit de « clic » au bout de 3 secondes. Ceci indique que le piston lectromagntique a t activ.

■ REMPLACEMENT DE LA PILE

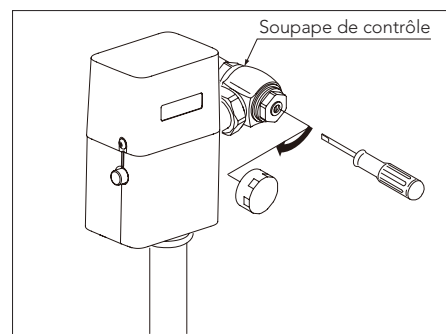
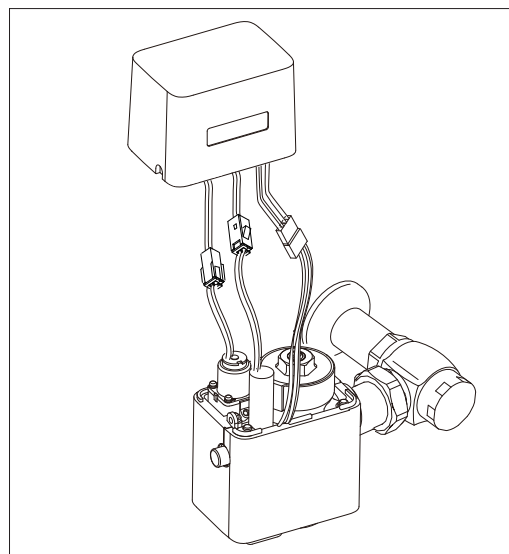
Une pile de secours spciale au lithium est utilise. *Remplacez seulement avec la batterie fournie par TOTO.

Si une lumire rouge dans la fentre du capteur clignote selon un cycle de 4 secondes, il est temps de remplacer la batterie.

1. Retirez la pile usage.
2. Posez la nouvelle pile  la bonne position.

■ RGLAGE DU DBIT

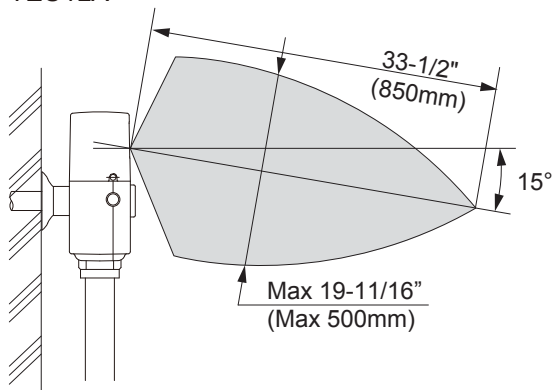
1. Rglez le dbit en tournant la vis sur la soupape de contrle.
2. Tournez la vis vers la droite pour diminuer la vitesse d'coulement et tournez vers la gauche pour l'augmenter.



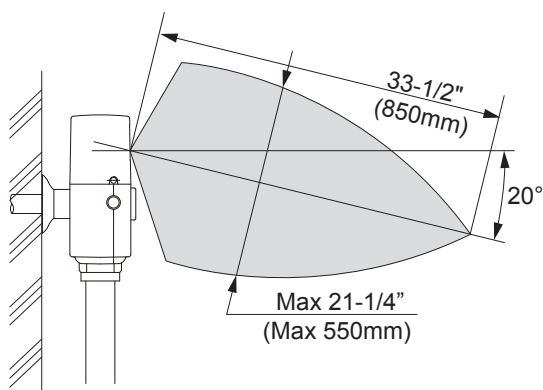
■ LA PLAGE DE DÉTECTION

La plage de détection du capteur infrarouge est réglée en usine et n'a pas besoin d'ajustement supplémentaire.

TET1GA, TET1LA
TEU1GA, TEU1LA
TEU1LA



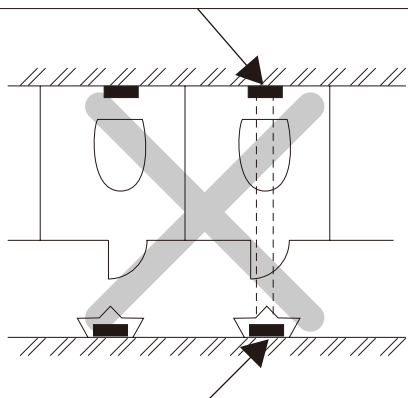
TET6LA
TET6GA



PRÉCAUTION

NE PLACEZ PAS le capteur infrarouge d'une valve de chasse de façon qu'elle soit alignée avec le capteur d'un autre capteur de valve de chasse.

Autre capteur infrarouge de la valve de chasse

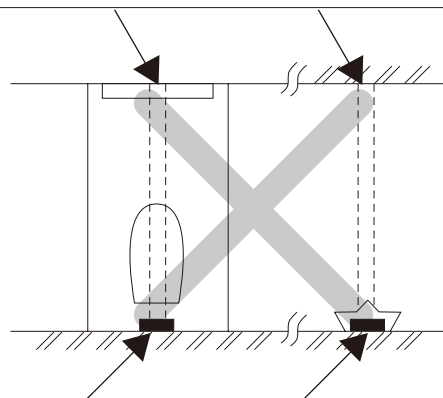


Capteur infrarouge de la valve de chasse

PRÉCAUTION

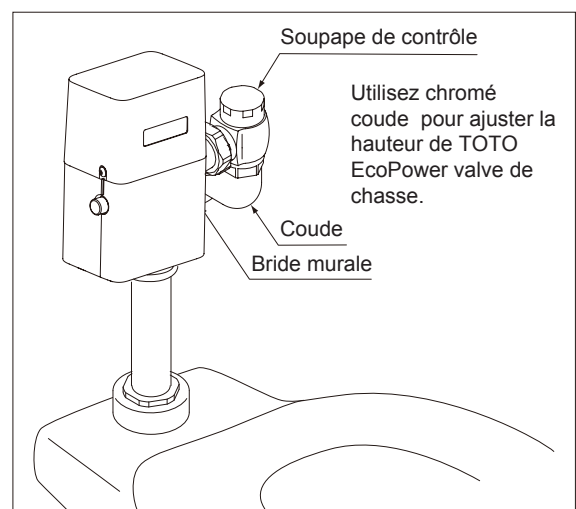
NE PLACEZ PAS le capteur infrarouge d'une valve de chasse de façon qu'elle soit alignée avec le capteur d'un autre capteur de valve de chasse.

Miroir, mur inox ou autre surface très réfléchissante



Capteur infrarouge de la valve de chasse

REMARQUE : La valve peut ne pas détecter un utilisateur si le siège de toilette est laissé en position verticale. Cela peut être due à la dimension brute de plomberie ou l'écartement de la fente avant du siège commercial. Veuillez abaisser le siège ou coordonnez avec un plombier TOTO ou autre pour modifier la hauteur de la valve. Dans certaines conditions, le capteur peut avoir mal à détecter les utilisateurs portant des vêtements noirs.



GARANTIE

1. TOTO® garantit que ses chasses électroniques, robinets et distributeurs de savon ("Produit") sont exempts de défauts de matériaux et de fabrication pendant l'utilisation normale lorsqu'il sont correctement installés et entretenus, pendant une durée de trois (3) ans à partir de la date d'achat. Cette garantie limitée est seulement offerte à l'acheteur original du produit et n'est pas transférable à un tiers, y compris tout acheteur ou propriétaire subséquent du produit. Cette garantie s'applique seulement aux produits de TOTO achetés et installés en Amérique du Nord, Centrale et du Sud.
2. Les obligations de TOTO sous cette garantie sont limitées à la réparation, au remplacement ou l'ajustement approprié, à la discrétion de TOTO, du produits ou des pièces défectueuses pendant l'usage normal, pourvu qu'un tel produit soit correctement installé, utilisé et maintenu selon les instructions. TOTO se réserve le droit de conduire toute inspection jugée nécessaire dans l'objectif de déterminer la cause du défaut. TOTO ne facturera pas la main-d'œuvre ou les pièces relatives à des réparations ou remplacements sous garantie. TOTO n'est pas responsable pour le coût de l'extirpation, le retour et /ou la réinstallation du produit.
3. Cette garantie ne s'applique pas aux éléments suivants:
 - a. Dommages ou pertes survenus à la suite d'une catastrophe naturelle comme un incendie, un tremblement de terre, une inondation, foudre, ou un orage électrique, etc.
 - b. Dommages ou pertes résultant de tout accident, d'une utilisation non raisonnable, mauvaise, abusive, négligente ou de soins inappropriés, du nettoyage ou de la maintenance du produit.
 - c. Dommages ou pertes résultant des sédiments ou toute matière étrangère contenue dans le système d'eau.
 - d. Dommages ou pertes résultant de l'installation inappropriée ou de l'installation du produit dans un environnement rude ou dangereux, ou le retrait inapproprié, la réparation ou modification du produit.
 - e. Dommages ou pertes résultant de surtensions électrique ou de la foudre ou d'autres actes qui ne constituent pas la faute de TOTO ou que le produit n'est pas conçu pour tolérer.
 - f. Dommages ou pertes résultant de l'usure normale et habituelle, tels que la réduction du lustre, le grattage ou la décoloration au fil du temps due à l'usure, les pratiques de nettoyage ou l'eau ou les conditions atmosphériques, inclus et non limités à, l'utilisation de l'eau de blanchissant, alcanes, nettoyeurs acides, nettoyeurs sec (poudre) ou tout autre nettoyeurs abrasifs ou l'utilisation de métal ou de brosse en nylon.
4. Pour que cette garantie limitée soit valide, une preuve d'achat est nécessaire. TOTO vous encourage à enregistrer la garantie à l'achat pour créer une trace de la propriété du produit à <http://www.totousa.com>. L'enregistrement du produit est complètement volontaire et le défaut d'enregistrement ne diminuera en rien vos droits de garantie limitée.
5. CETTE GARANTIE VOUS DONNE DES DROITS LEGAUX SPECIFIQUE. VOUS POUVEZ AVOIR DES DROITS QUI POURRAIT VARIER D'UN ETAT A L'AUTRE, D'UNE PROVINCE A L'AUTRE OU D'UN PAYS A L'AUTRE.
6. Pour obtenir une réparation sous le service de garantie, vous devez emmener le produit ou le faire livrer prépayé à un centre de service TOTO avec une preuve d'achat (reçu original d'achat) et une lettre expliquant le problème, ou contactez un distributeur de TOTO ou un contracteur de service pour les produits, ou écrivez directement à TOTO U.S.A., INC., 1155 Southern Road, Morrow, GA 30260 (888) 295 8134 or (678) 466-1300, Si vous êtes en dehors des États Unis d'Amérique, Si le produit ne peut être retourné du à sa taille ou la nature des dégâts, la réception par TOTO d'un avis écrit du défaut, avec preuve d'achat (reçu original de caisse) constitue livraison. Dans un tel cas, TOTO pourrait choisir de réparer le produit à l'emplacement de l'acheteur ou payer pour le transport du produit à un centre de service.

CETTE GARANTIE ECRITE CONSTITUE LA SEULE GARANTIE OFFERTE PAR TOTO. TOUTE REPARATION, REMPLACEMENT OU TOUT AUTRE AJUSTEMENT NECESSAIRE COUVERT PAR CETTE GARANTIE SERA LA SOLUTION EXCLUSIVE DISPONIBLE A L'ACHETEUR ORIGINAL. TOTO N'EST POINT RESPONSABLE POUR LA PERTE DU PRODUIT OU POUR TOUT AUTRE DEGATS ACCIDENTELS, PARTICULIERS OU IMPORTANTS, OU TOUTES AUTRES DEPENSES NON MENTIONNEES CLAIREMENT AU DESSUS. EN AUCUNE CIRCONSTANCE LA RESPONSABILITE DE TOTO SERA SUPERIEUR AU PRIX D'ACHAT DU PRODUIT. SAUF DANS LES CAS OU LA LOI EN VIGUEUR INTERDIT CELA, TOUTE GARANTIE IMPLICITE, Y COMPRIS CELLE DE LA QUALITE MARCHANDE OU DE REMISE EN FORME POUR L'USAGE OU POUR UNE RAISON PARTICULIERE, SONT EXPRESSEMENT EXCLUES. CERTAINS ETATS N'AUTORISENT PAS DE LIMITATIONS SUR LA DUREE DE LA GARANTIE IMPLICITE, OU L'EXCLUSION OU LA LIMITATION DES DOMMAGES INDIRECTS OU SECONDAIRES, AINSI, IL EST DONC POSSIBLE QUE CETTE LIMITATION ET EXCLUSION NE S'APPLIQUENT PAS A VOUS.

ÍNDICE

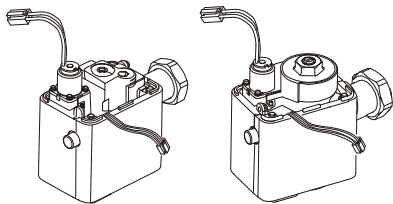


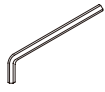
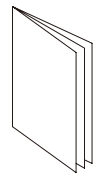
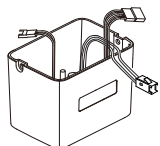
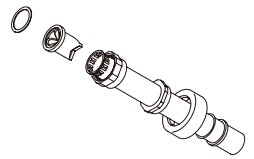
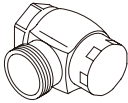
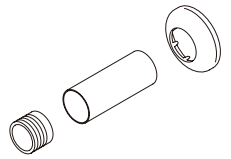

Obrigado por escolher a TOTO!.....	47
Peças incluídas.....	47
Ferramentas Comuns Necessários.....	48
Cuidados e Limpeza.....	48
Características.....	48
Especificações.....	49
Informação técnica.....	50
Avisos.....	51
Antes da Instalação.....	51
Procedimento de Instalação.....	52
Execução de Teste.....	55
Observação de Instalação.....	55
Manutenção periódica.....	55
Usando o fluxômetro.....	56
Resolução de Problemas.....	57
Garantia.....	61
Dimensões aproximadas.....	62

OBRIGADO POR ESCOLHER A TOTO!

A missão da TOTO é proporcionar ao mundo um estilo de vida saudável, higiênico e mais confortável. Como princípio norteador, projetamos cada produto com equilíbrio entre forma e função. Parabéns pela sua escolha.

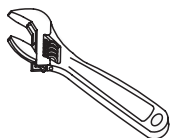
PEÇAS INCLUÍDAS

Confira para certificar-se que todas estas peças constam da embalagem*:

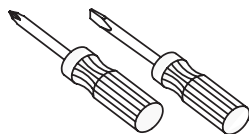
<p><i>TEU1UA</i> <i>todas as válvulas, excepto para TEU1UA</i></p>  <p>Corpo de válvula</p>	 <p>Bateria de Back-up</p>	 <p>Parafusos</p>	 <p>Chave hexagonal</p>	 <p>Manual de Instalação / do proprietário</p>
 <p>Tampa superior</p>	<p>For TEU1UA12, TEU1LA(12,22), TEU1GA(12,22), TET1LA32, TET6LA32, TET1GA32, TET6GA32</p> <div style="display: flex; justify-content: space-around;"> <div data-bbox="550 1691 885 2016">  <p>Tubo de quebrador de vácuo (com conexão)</p> </div> <div data-bbox="901 1691 1093 2016">  <p>Válvula de ponto</p> </div> <div data-bbox="1109 1691 1452 2016">  <p>Kit soldável (Escudo, tubo e adaptador)</p> </div> </div>			
 <p>Etiqueta de aviso</p>				

* Aspecto de alguns componentes podem variar dependendo do modelo

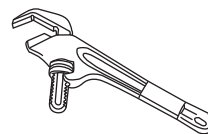
FERRAMENTAS COMUNS NECESSÁRIOS



Chave de boca ajustável



Chaves de fenda (Phillips e Fenda)



Chave para tubo

CUIDADOS E LIMPEZA

IMPORTANTE! Não risque o sensor durante a limpeza da fluxômetro.

- Evite o uso de quaisquer materiais de limpeza que possam riscar ou danificar a superfície.
- Nunca use pó de polimento, detergentes que possuem partículas sólidas, solventes, derivados de benzeno, substâncias ácidas ou alcalinas, buchas de nylon e quaisquer outros materiais que possam danificar a superfície do sensor.
- Para limpar a superfície, utilize um pano macio umedecido com água e detergente neutro diluído. Seque a superfície com um pano macio seco. Caso isso não limpe a superfície de maneira adequada, utilize um pano macio molhado com detergente neutro.

CARACTERÍSTICAS

Totalmente automática e higiênica

A fluxômetro Self Power usa um sensor infravermelho para detectar quando alguém usa e sai do bacia sanitária e dá a descarga automaticamente após um curto intervalo. Não é necessário manual de operação, melhorando a experiência de uso e a higiene do bacia sanitária.

Temporizador de proteção do sistema

Caso a bacia sanitária não for utilizada por 24 horas (12 horas para TEU1LA e TEU1UA), o temporizador aciona a válvula para dar a descarga e preservar o selo hídrico.

Botão de acionamento manual

A fluxômetro Self Power tem um botão de descarga manual para manutenção e uso de emergência.

Recursos Ecológicos

Economia de energia

Cada descarga ativa um gerador hidrelétrico que gera energia elétrica para a próxima descarga. (Informe-se *Sobre o Gerador Hidrelétrico da TOTO*)

Economia de água

Duas funções ajudam a fluxômetro Self Power a economizar água:

Controle por lógica difusa

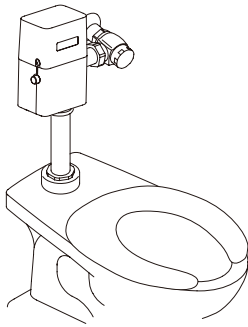
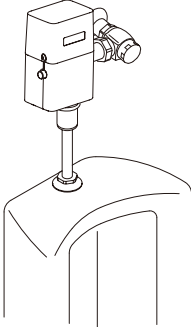
A fluxômetro Self Power pode sentir a frequência e a duração com que o bacia sanitária foi usado para fornecer a quantidade correta de água. (Informe-se *Sobre o Controle por lógica difusa*)

Mecanismo anti-descarga dupla

A fluxômetro Self Power oferece prevenção contra descargas duplas para economizar água. Depois da descarga, a válvula não dará descarga novamente por 10 segundos para mictório e 30 segundos para bacias sanitárias.

As fluxômetro Self Power TOTO são projetadas para durar por 10 anos, sob condições normais, sem uso mínimo exigido.

ESPECIFICAÇÕES

		Bacia Sanitária		Mictório	
Figure					
Número modelo		TET1GA TET6GA	TET1LA TET6LA	TEU1GA	TEU1LA TEU1UA
Volume de descarge nominal em 28 psi (196kPa)		1.6 G (6 L)	1.28 G (4.8 L)	Controle por lógica difusa 0.5 G (1.9L) Normal 1.0 G (3.8 L)	0.5 G (1.9 L) 0.125 G (0.47 L)
Tipo		Bacia sanitária de fluxómetro		Mictório de limpeza por arraste	
Entrada de válvula de ponto		1" NPT		3/4" NPT	
Conexão de entrada da válvula		1-1/4" NPSM			
Conexão de saída da válvula		1-1/2" NPSM			
Pressão de Fornecimento de Água	Min (Fluxo)	15 psi (103 kPa)	35 psi (241 kPa)	15 psi (103 kPa)	
	Max* (Estático)	125 psi (862 kPa)	125 psi (862 kPa)	125 psi (862 kPa)	
Pressão de fechamento		7 psi (48 kPa)			
Dimensão da Tampa		7" (H) x 4-9/16" (W) x 3-3/16" (D) (178 mm (H) x 115 mm (W) x 81 mm (D))			
Faixa de detecção a partir da frente		Dentro de 33-1/2" (850 mm)			
Tempo para a detecção		6 s			
Temporizador de proteção		Descarga automática após 24 horas de uso não		Descarga automática após 12 horas de uso não	
Temperatura de ambiente		32-104°F (0-40°C)			
Temperatura da água		34-104°F (1-40°C)			

OBSERVAÇÃO:

O tipo de fixação determina a pressão mínima necessária para a válvula. Consulte o fabricante do dispositivo elétrico para a exigência de pressão. TET6LA e TET6GA exigem 24 " ou mais disjuntores a vácuo. A válvula não terá o alcance de detecção adequado, se você usar um disjuntor de vácuo mais curto.

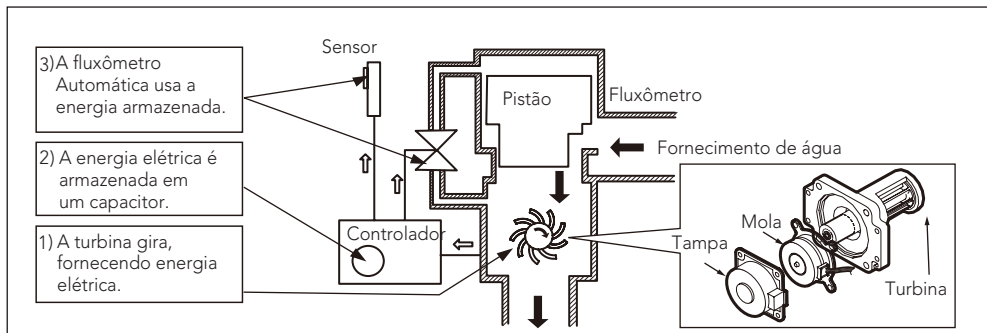
* A pressão de água mais de 80 psi não é recomendado.

INFORMAÇÃO TÉCNICA

Sobre o Gerador Hidrelétrico

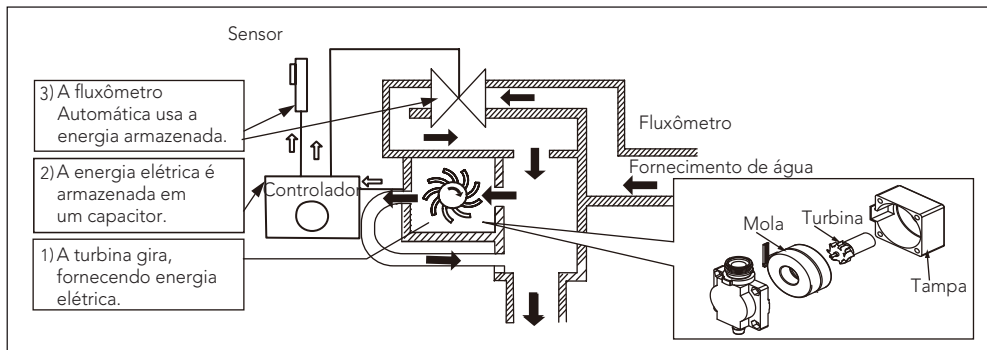
O fluxo de água faz com que a turbina gire no gerador de energia. Este processo gera energia elétrica e permite que a fluxômetro automática opere. Veja ilustr. 1 abaixo.

TET1GA
TET6GA
TEU1GA
TET1LA
TET6LA
TEU1LA



- 3) A fluxômetro Automática usa a energia armazenada.
- 2) A energia elétrica é armazenada em um capacitor.
- 1) A turbina gira, fornecendo energia elétrica.

TEU1UA



- 3) A fluxômetro Automática usa a energia armazenada.
- 2) A energia elétrica é armazenada em um capacitor.
- 1) A turbina gira, fornecendo energia elétrica.

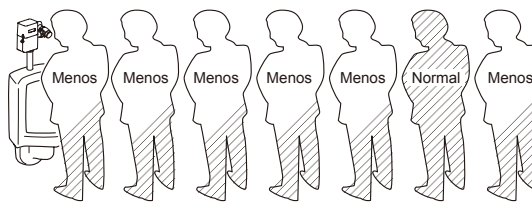
ill. 1 Gerador Hidrelétrico

Sobre o Controle por lógica difusa (TEU1GA only)

A função de Controle por lógica difusa ajusta automaticamente a descarga de água conforme a frequência e a duração do uso (veja ilustr. 2 e ilustr. 3).

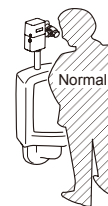
O sistema de Controle por lógica difusa julga a frequência de uso pelo tempo ocioso do bacia sanitária e faz com que a Válvula descarregue a água no padrão ideal.

Uso Frequente



Para tempos ociosos curtos, o sistema supõe uso frequente do mictório e a válvula descarrega menos água.
Exemplos de uso frequente seriam durante pausa para almoço ou um intervalo no cinema.

Uso Não Frequente

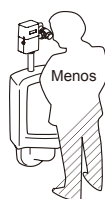


Para tempos ociosos mais longos, o sistema supõe uso não frequente, fazendo com que a válvula descarregue uma quantidade normal de água durante a descarga.
Exemplos de uso não frequente seriam o horário após o expediente em um escritório ou um dia de pouca movimentação em um parque.

ill. 2 Frequência de Uso

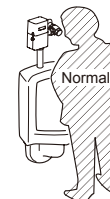
O sistema de Controle por lógica difusa prevê a quantidade de água necessária para a descarga com base na duração do uso por alguém.

Duração de Uso Longa



Uma duração longa indica que pode haver mais dejetos para limpar, exigindo que a válvula descarregue uma quantidade normal de água durante a descarga.

Duração de Uso Curta



Uma duração de uso curta indica que pode haver menos dejetos para limpar e a fluxômetro liberará menos água.

ill. 3 Duração do Uso

AVISOS

Leia e siga estas instruções. A falha pode resultar em ferimentos pessoais ou em danos ao imóvel. Nunca derrame água sobre o controlador. A fluxômetro Self Power é um aparelho elétrico.

- Nunca derrame água sobre o controlador. A fluxômetro Self Power é um aparelho elétrico. Risco de defeito no produto.
- Não golpeie ou chute a fluxômetro Self Power. Risco de defeito no produto ou de vazamento de água. Risco de defeito no produto.
- Não utilize a fluxômetro Self Power em temperaturas que excedam o que as regulamentações locais ou a especificação do produto permitem. Risco de defeito no produto.
- Não coloque um produto em uma sala com umidade alta como salas com chuveiros e saunas. Risco de defeito no produto.
- Nunca tente desmontar, montar, reparar ou modificar a fluxômetro Self Power a menos que você seja profissional. Risco de defeito do produto e de choque elétrico.

ANTES DA INSTALAÇÃO

Importante: Importante: A sistema de distribuição de água deve estar em conformidade com os códigos e as regulamentações aplicáveis. O sistema de distribuição de água deve ser dimensionado para fornecer um volume adequado de água para cada produto. Limpe todos os tubos de água antes da operação.

1. Antes de instalar sua fluxômetro, instale os itens abaixo:

Bacia sanitária / Mictório
Tubulação do sistema de esgoto sanitário
Tubulação de abastecimento de água fria

O sistema de abastecimento de água de água fria destes dispositivos deve estar fixada com segurança para evitar que o dispositivo se movimente durante o uso. Tenha cuidado ao instalar o dispositivo para evitar riscar a superfície exposta.

Exceto para TET6GA e TET6LA, instale a fluxômetro de forma que a válvula de ponto não esteja a menos de 282 mm (11-1/8") acima da parte superior da bacia sanitária/mictório. Para TET6GA e TET6LA, instale a fluxômetro de forma que a válvula de ponto esteja 685,8 mm (27") acima da bacia sanitária/mictório. Consulte os regulamentos locais para os requisitos específicos.

2. Tenha cuidado para não danificar a superfície do sensor infravermelho.

3. **Para a fluxômetro para Bacia Sanitária:**

A válvula pode não funcionar se o assento do bacia sanitária e/ou a tampa estiverem para cima, já que podem bloquear o sensor.

Para a fluxômetro para Mictório:

A fluxômetro para mictório é projetada para desempenho ideal com descarga de desempenho ideal com mictórios de arraste, porém é possível utilizá-la com mictórios sifonados.

4. Confira a faixa de detecção do sensor infravermelho na página 60.

Para evitar defeitos na válvula, não instale barras de apoio ou qualquer outro objeto na faixa de detecção do sensor. Não instale a fluxômetro onde o sensor esteja de frente a um espelho, parede de aço inoxidável ou outra superfície altamente reflexiva ou, ainda, outro sensor infravermelho.

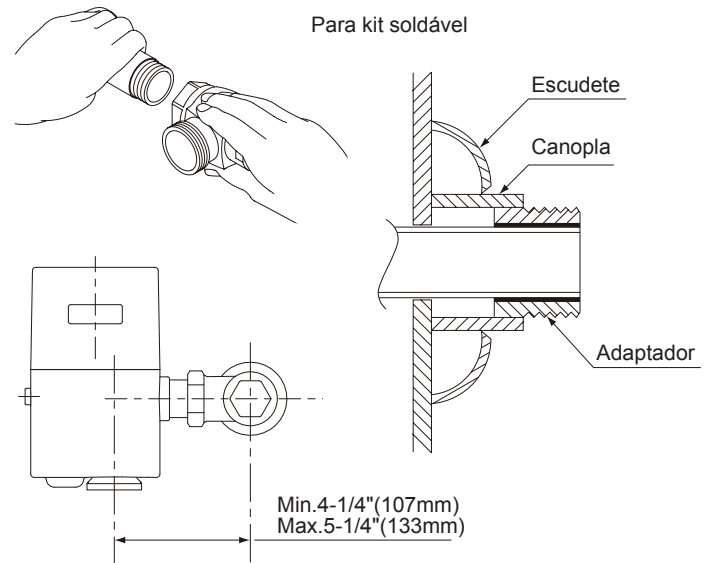
PROCEDIMENTO DE INSTALAÇÃO

OBSERVAÇÃO: Para evitar defeitos na válvula, não instale barras de apoio ou qualquer outro objeto na faixa de detecção do sensor. Não instale a fluxômetro onde o sensor esteja de frente a um espelho, parede de aço inoxidável ou outra superfície altamente reflexiva ou, ainda, outro sensor infravermelho.

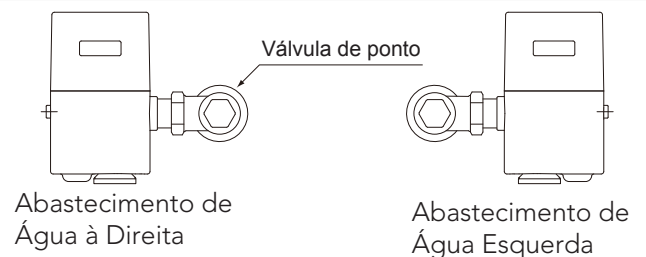
1. Instale o botão da descarga usando o espelho do tamanho correto e um kit adaptador de solda, se aplicável.

Compostos de vedação de rosca devem ser usados apenas em roscas NPT macho.

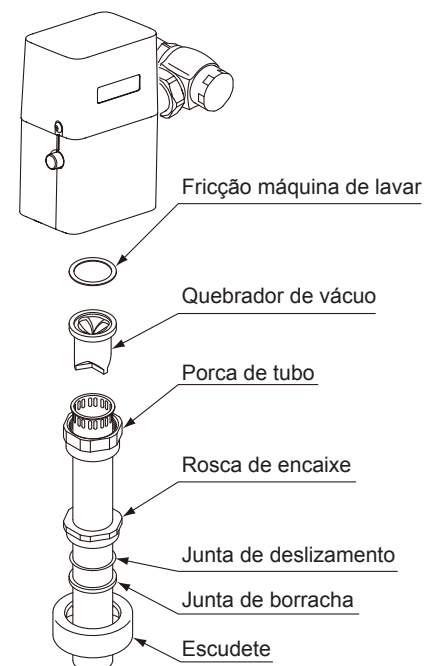
A distância do centro do válvula de ponto ao centro da fluxômetro deve ser entre 107 mm a 133 mm (4-1/4" a 5-1/4").



Para uso com o ponto de água a esquerda, fixe a tampa superior do sensor na direção oposta para que o sensor esteja na frente.

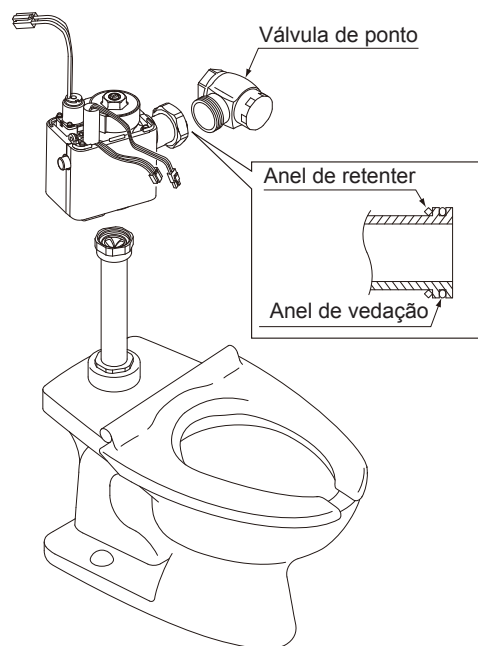


2. Determine a extensão do tubo quebrador de vácuo de vácuo para ligar a fluxômetro e o encaixe do da louça. Se necessário, corte o tubo quebrador de vácuo de vácuo no comprimento adequado.
3. Junte a unidade de rosqueamento do encaixe ao encaixe do bacia sanitária. Aperte a rosca de encaixe manualmente na conexão da louça.

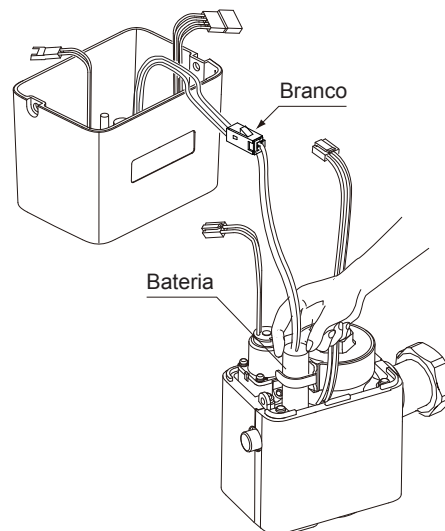


PROCEDIMENTO DE INSTALAÇÃO

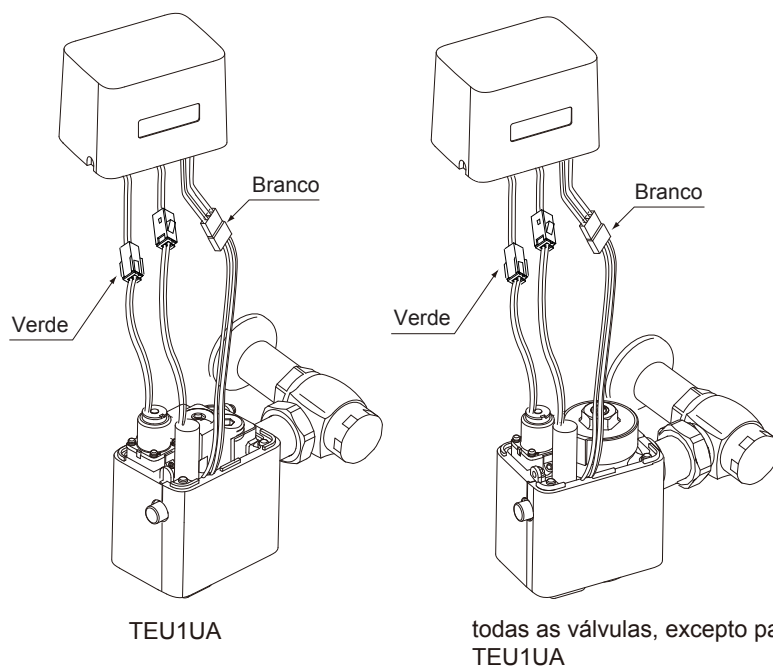
4. Antes de conectar a fluxômetro na válvula de ponto, assegure-se de que o anel de vedação esteja na ranhura ao final da conexão e que a porca de travamento e o anel retentor estejam localizados como exibido.
5. Conecte a fluxômetro ao válvula de ponto e o tubo de limitação de vácuo. Tenha cuidado para não danificar o anel de vedação ao inserir o arremate no válvula de ponto. Se lubrificação for necessária, umedecer o anel de vedação com água já é suficiente.
6. Alinhe a fluxômetro e fixe firmemente a porca de conexão, o tubo quebrador de vácuo e a porca de travamento com uma chave.



7. Conecte o cabo da bateria com os cabos do controlador e coloque a bateria no lugar.

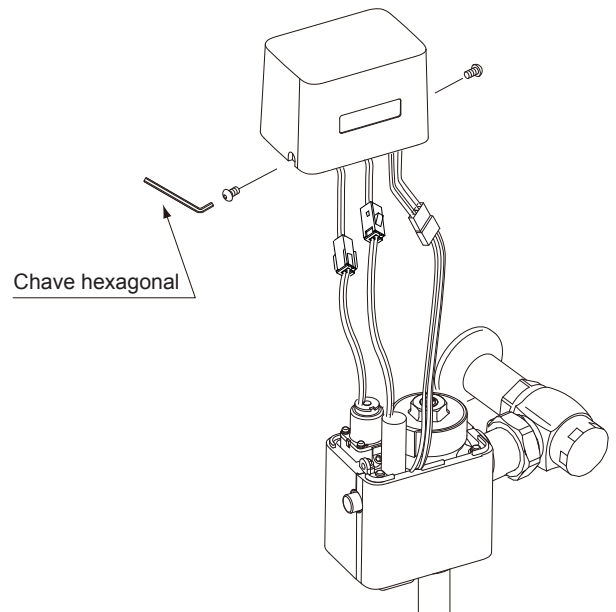


8. Conecte os cabos da válvula solenoide e o gerador com os cabos do controlador.



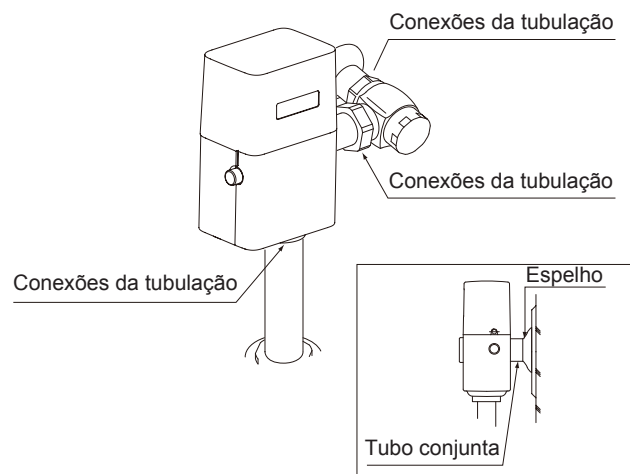
PROCEDIMENTO DE INSTALAÇÃO

9. Prenda a tampa superior do sensor na corpo com os parafusos fornecidos e hexagonal fornecida.



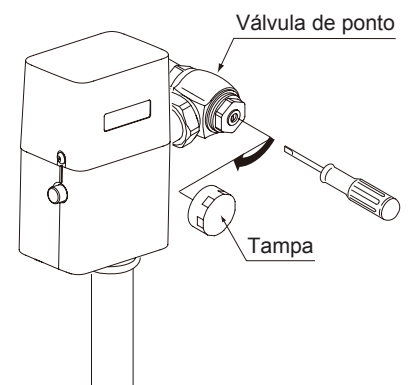
10. Antes de ligar a água, assegure-se de eliminar todos os vazamentos de água ao apertar todas as conexões da tubulação.

OBSERVAÇÃO: Se for necessário remover o válvula de ponto, assegure-se de que a água seja cortada na válvula principal de alimentação.



As fluxômetro são pré-ajustadas para o volume do bacia sanitária, conforme marcado na embalagem da válvula. A válvula não exige ajuste para variação na pressão da água dentro de sua faixa operacional.

11. Para ajustar a fluxômetro para operação apropriada, use o parafuso de ajuste para abrir completamente o válvula de ponto.
12. Acione a fluxômetro várias vezes.
13. No caso de taxa de fluxo excessiva, ajuste gradualmente o válvula de pontono sentido horário na direção da posição fechada usando o parafuso de ajuste, até que haja fluxo adequado de água ao bacia sanitária.
14. A tampa do válvula de ponto deve ser colocada após os ajustes finais.
15. Aperte a tampa firmemente com uma chave.



AVISO: O válvula de ponto nunca deve ser aberto até o ponto em que o fluxo da fluxômetro a capacidade do fluxo da louça. No caso de falha da válvula, a água no deve transbordar pelo louça.

EXECUÇÃO DE TESTE

1. **Para o bacia sanitária sanitário:** Sente no assento do bacia sanitária.

Para o mictório: Fique a 61 centímetros diante da fluxômetro.

2. Permaneça nesta posição por 6 segundos ou mais e depois levante-se do assento ou afaste-se do mictório. A válvula dará descarga automaticamente.

3. Pressione o botão de descarga manual e assegure-se de que a descarga ocorra apropriadamente e que a luz vermelha do sensor acende por 2 segundos.

4. Verifique novamente todas as conexões da tubulação para ver se não há vazamentos. Se a fluxômetro não estiver operando apropriadamente após os testes consulte a seção de Resolução de Problemas p. 57.

OBSERVAÇÃO DE INSTALAÇÃO

Após instalar a unidade da fluxômetro corretamente, explique ao seu cliente como usá-la e peça que observe estas instruções:

1. Não coloque nenhum objeto que possa obstruir a janela do sensor, causando problemas em seu funcionamento.
2. Em caso de problemas, consulte a seção de Resolução de Problemas, na página 57. Se você não tiver as habilidades necessárias ou se tiver dificuldade em seguir as instruções para instalação, manutenção, reparos, resolução de problemas ou ajustes do produto, não prossiga sem ajuda de uma pessoa qualificada.

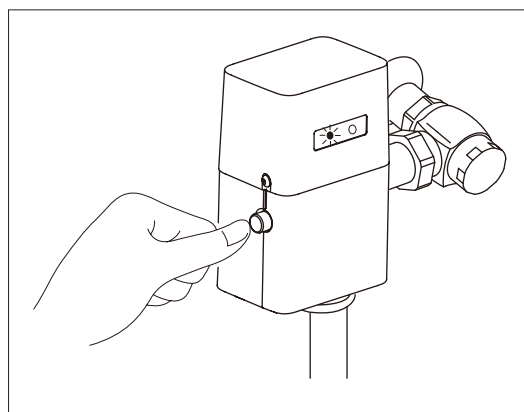
MANUTENÇÃO PERIÓDICA

Verifique sua fluxômetro Self Power ao menos uma vez, conforme estas instruções para evitar riscos de danos ao imóvel.

Verifique a tubulação para ver se há vazamento.

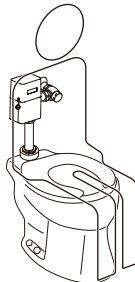
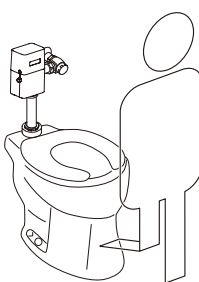

Pressione o botão de descarga manual e assegure-se de que a luz vermelha do sensor acende por 2 segundos para ver se o gerador opera apropriadamente.

Se a luz vermelha não acender, verifique o gerador para ver se há resíduos obstruindo a turbina.


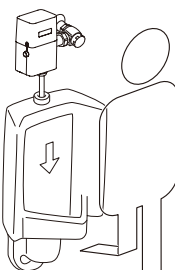
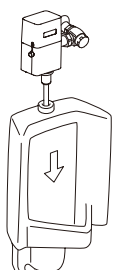


USANDO A FLUXÔMETRO

■ Usando a fluxômetro para bacia sanitária

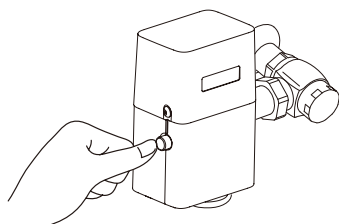
Sensor Infravermelho	Descarga	Dar descarga a cada 24 horas
 <p>O sensor infravermelho detecta um usuário do bacia sanitária.</p>	 <p>Quando o usuário permanecer por mais de 6 segundos na posição, o controlador sinalizará à unidade operadora para acionar a fluxômetro após um retardo de 3 segundos.</p>	 <p>Se o bacia sanitária não for usado por 24 horas, o sistema dará descarga automaticamente, como precaução de manutenção e higiene.</p>

■ Usando a fluxômetro para mictório

Sensor Infravermelho	Descarga	Dar descarga a cada 12 horas
 <p>O sensor infravermelho detecta um usuário posicionado a 600 mm (2 pés) na frente do mictório.</p>	 <p>Quando o usuário permanecer por mais de 6 segundos na posição, o controlador sinalizará à unidade operadora para acionar a fluxômetro após sem retardo.</p>	 <p>Se o mictório não for usado por 12 horas o sistema dará descarga automaticamente, como precaução de manutenção e higiene.</p>

■ Ambos

Botão de Descarga Manual



Use o botão de descarga manual para manutenção ou emergências.

RESOLUÇÃO DE PROBLEMAS

Problema	Causa possível	Ação Sugerida	Página
A água não sai da fluxômetro	A válvula principal no encanamento de fornecimento de água ou o válvula de ponto estão fechados	Abra a válvula principal ou o válvula de ponto	-
	Um ou mais cabos estão desconectados	Verifique todas as conexões do cabo	-
	A superfície da janela diante do sensor infravermelho está suja	Limpe a superfície do vidro	-
	O vidro está quebrado	Entre em contato com o distribuidor para substituição	-
	Há uma superfície reflexiva diante do sensor	Remova a superfície reflexiva diante do sensor	60
	O sensor infravermelho ou a solenoide está fora de sequência	Entre em contato com o distribuidor para substituição	-
	Os pequenos orifícios no diafragma da solenoide estão obstruídos	Limpe o orifício pequeno no diafragma e o filtro	59
O gerador hidrelétrico está obstruído	Gerador hidrelétrico de serviço	-	
A água não para de correr	O pequeno orifício no pistão está obstruído (não para TEU1UA)	Limpe o pequeno orifício no pistão	58
	A área de vedação do pistão está suja (não para TEU1UA)	Limpe a área de vedação do pistão	58
	A área de vedação do diafragma do solenoide está suja	Limpe a área de vedação do diafragma e o filtro	59
	A embalagem em u do pistão está danificada. (não para TEU1UA)	Inspecione e substitua, se necessário	58
O volume de descarga é muito pequeno	O parafuso do válvula de ponto não está ajustado apropriadamente	Ajuste a quantidade da descarga pelo parafuso do válvula de ponto	59
O volume de descarga é muito alto			
A taxa de fluxo é muito baixa	A pressão do fornecimento de água é muito baixa	Consulte um encanador	-
	O válvula de ponto não está aberto o suficiente	Ajuste o válvula de ponto apropriadamente	59
A taxa de fluxo é muito alto	O válvula de ponto não está aberto o suficiente	Ajuste o válvula de ponto apropriadamente	59
Uma luz vermelha na janela do sensor pisca.	A bateria está fraca	Substitua pela bateria fornecida pela TOTO	59

OBSERVAÇÃO:

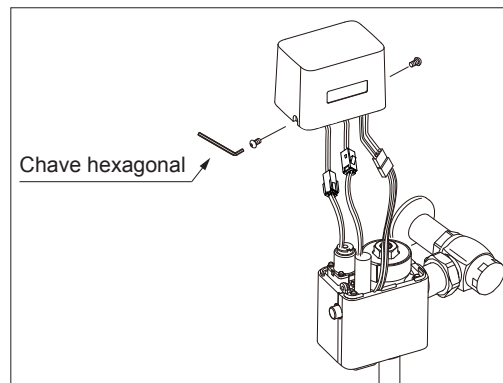
Não desmonte as peças da fluxômetro que não estejam especificadas no guia de resolução de problemas.

Se você precisar de mais ajuda, por favor contacte o suporte técnico TOTO em (888) 295-8134.

■ DESMONTAGEM

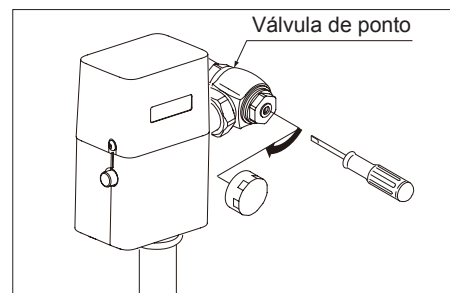
Se for necessário remover totalmente a válvula do encanamento de água para reparo, atente para os cuidados abaixo:

1. Tenha cuidado para não soltar ou danificar a arruela de fricção na conexão de saída para a rosca do tubo quebrador de vácuo do vácuo. Para manter a vedação apropriada, substitua a arruela, se necessário.
2. Ao reinstalar a válvula no encanamento de água, evite furar o anel de vedação.

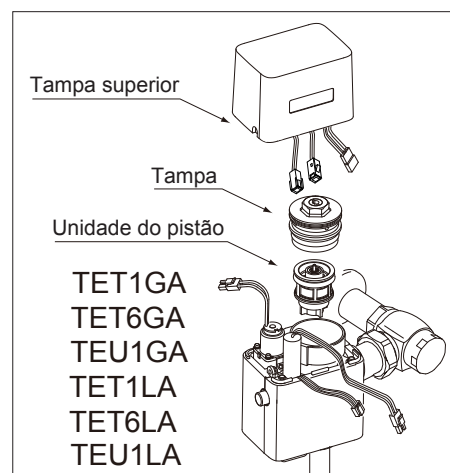


■ LIMPANDO A UNIDADE DO PISTÃO E O FILTRO

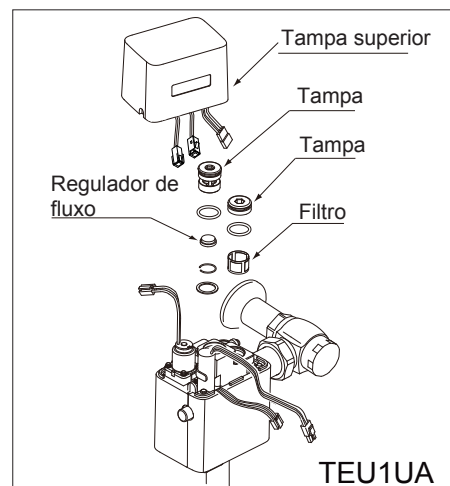
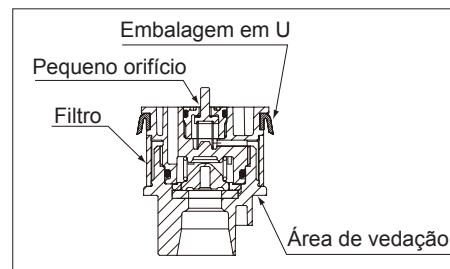
1. Gire o parafuso da válvula de ponto no sentido horário para fechar a água.



2. Remova a unidade do pistão (filtro, para o TEU1UA).



3. Verifique o pequeno orifício no pistão, para ver se está obstruído com resíduos. Insira um pequeno fio para desobstruir o orifício, se necessário.
4. Verifique o filtro para ver se está obstruído com resíduos e escove suavemente, para limpá-lo.
5. Verifique a área de vedação do pistão e limpe-a, se estiver suja.
6. Verifique se a embalagem em U está rachada ou danificada.

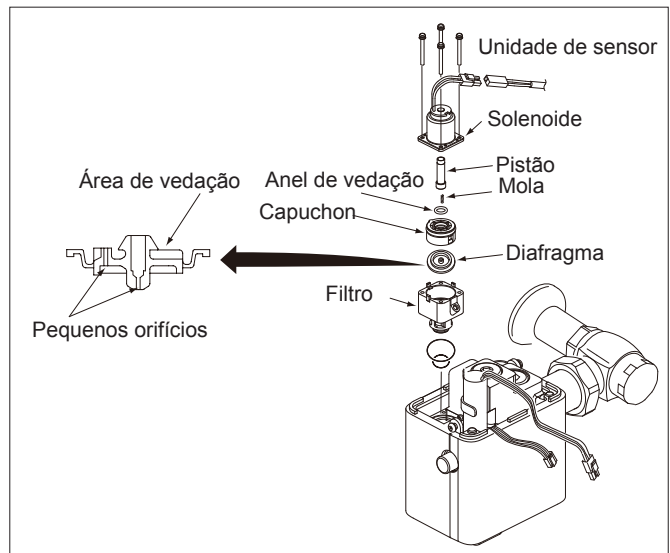


■ LIMPANDO O DIAFRAGMA E O FILTRO

1. Gire o parafuso do válvula de ponto no sentido horário para fechar a água.
2. Remova a unidade do pistão.
3. Verifique o pequeno orifício no pistão para ver se está obstruído com resíduos. Insira um pequeno fio para desobstruir o orifício, se necessário.

OBSERVAÇÃO: Veja abaixo para desmontagem.

OBSERVAÇÃO: Não estique nem altere a forma da mola na válvula solenoide, de maneira alguma. Isso anulará a garantia.



■ VERIFICANDO A SOLENOIDE

1. Assegurar que as baterias estejam colocadas corretamente e os cabos estejam conectados.
2. Com a água desligada, coloque sua mão diante do sensor por 6 segundos.
3. Tire e ouça se há um som de "clique" depois de 3 segundos. Isso indica que o pistão da solenoide foi ativado.

■ SUBSTITUIÇÃO DA BATERIA

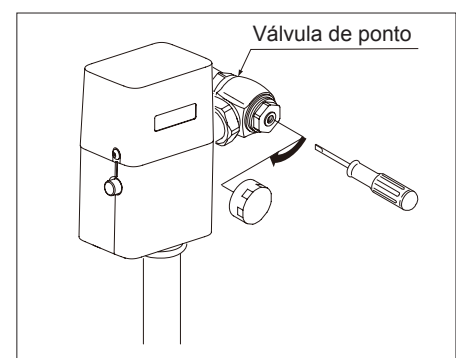
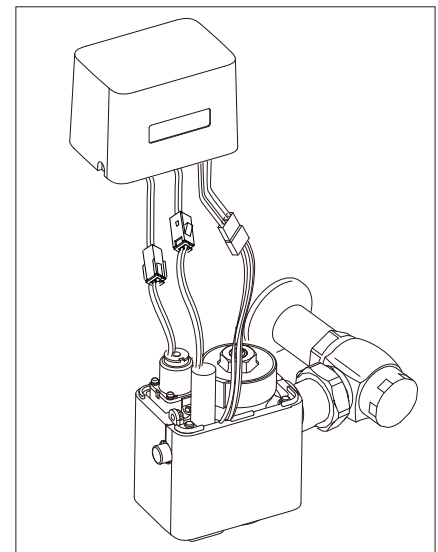
Uma bateria de reserva especial de lítio é usada. Substitua apenas pela bateria fornecida pela TOTO.

Se uma luz vermelha piscar na janela do sensor em intervalos de 4 segundos, é hora de trocar a bateria.

1. Remova a bateria antiga.
2. Coloque a bateria nova na posição apropriada.

■ AJUSTE DA TAXA DE FLUXO

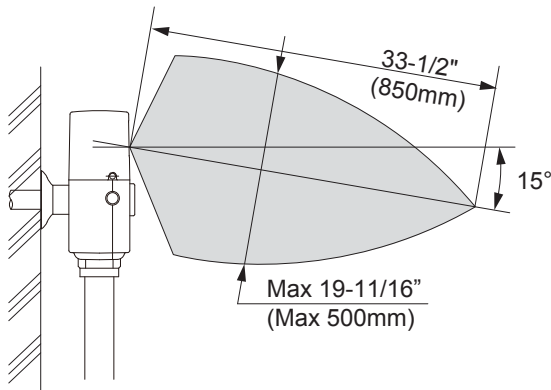
1. Ajuste a taxa de fluxo ao girar o parafuso no válvula de ponto.
2. Gire o parafuso para a esquerda para diminuir o fluxo e para a esquerda para aumentá-lo.



■ A FAIXA DE DETECÇÃO

As fluxômetros são pré-ajustadas para o volume do vaso, conforme marcado na embalagem da válvula. A válvula não exige ajuste para variação na pressão da água dentro de sua faixa operacional.

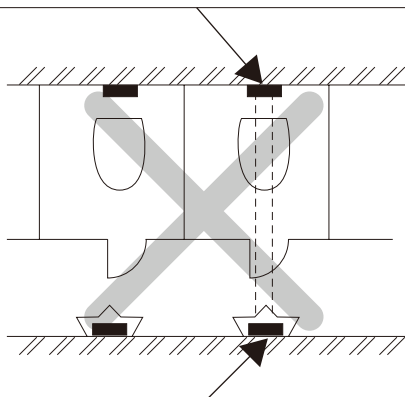
TET1GA, TET1LA
TEU1GA, TEU1LA
TEU1LA



CUIDADO

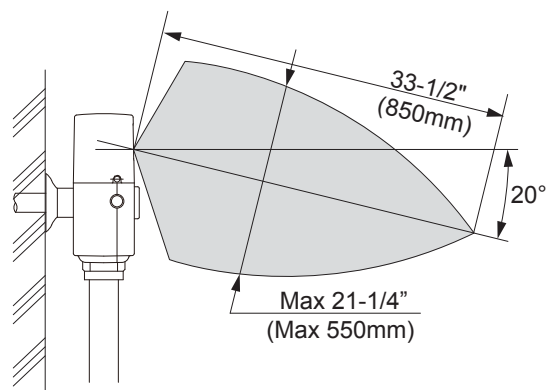
NÃO coloque o sensor infravermelho de uma fluxômetro em frente a um sensor de outra fluxômetro.

Outro sensor infravermelho



Sensor infravermelho da fluxômetro

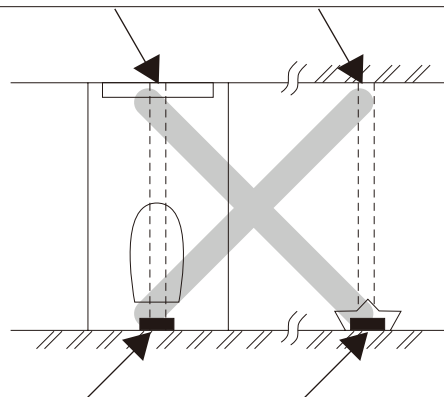
TET6LA
TET6GA



CUIDADO

NÃO coloque o sensor infravermelho de uma fluxômetro em frente a espelho, parede de aço inoxidável ou outra superfície altamente reflexiva.

Espelho, parede de aço inoxidável ou outra superfície altamente reflexiva

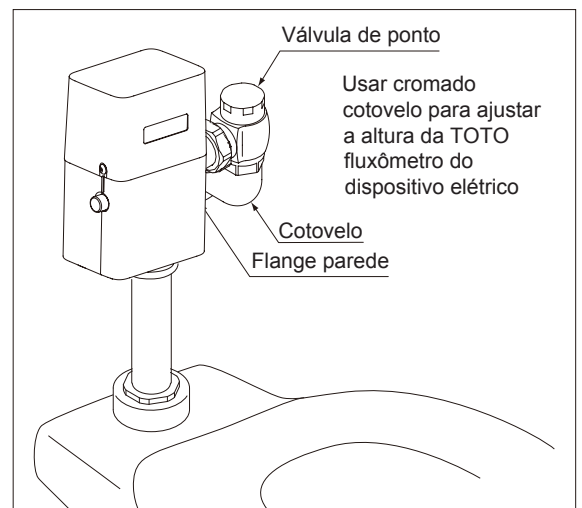


Sensor infravermelho da fluxômetro

PORTUGUÊS

OBSERVAÇÃO: A válvula pode não detectar o usuário se o assento do bacia sanitária estiver levantado. Isso pode ocorrer devido à dimensão dos furos da tubulação ou ao espaço do assento frontal comercial aberto. Abaixar o assento ou peça à TOTO ou a um encanador que altere a altura da válvula.

Em algumas situações, o sensor pode ter dificuldade de detectar usuários que estejam usando roupas pretas.



GARANTIA

TOTO DO BRASIL DISTRIBUIÇÃO E COMÉRCIO, LTDA.

GARANTIA LIMITADA DE TRÊS ANOS

A garantia se aplica somente às Fluxômetros Eletrônicas, Torneiras e Distribuidores de Sabão.

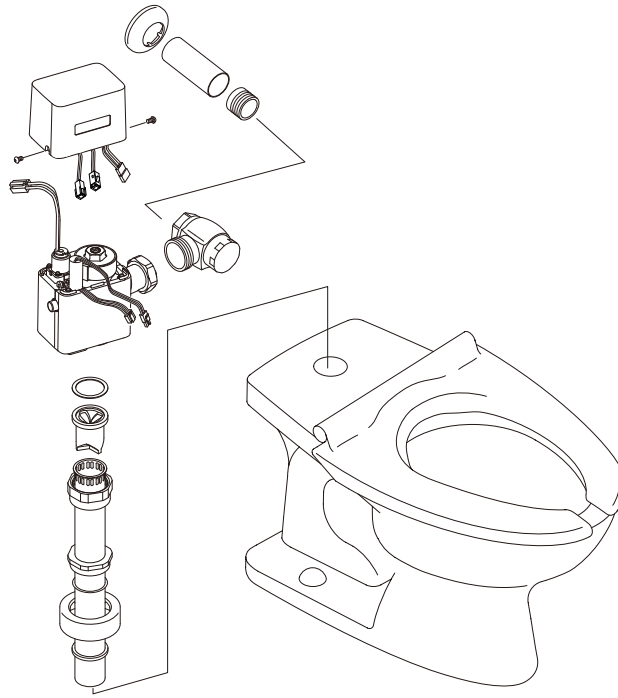
1. A TOTO garante suas fluxômetros eletrônicas, torneiras e dispensadores de sabão ("Produto") contra defeitos de material e de fabricação durante o uso normal quando instalados e submetidos à manutenção adequada, por um período de três (3) anos à partir da data da compra. Esta garantia limitada é estendida apenas ao COMPRADOR ORIGINAL do Produto e não é transferível a terceiros, incluindo, mas não limitado a, qualquer comprador ou proprietário subsequente do Produto. Esta garantia se aplica somente a Produtos da TOTO comprados e instalados no Brasil.
2. As obrigações da TOTO sob esta garantia estão limitadas a reparos, substituições ou outros ajustes apropriados, a critério da TOTO, do Produto ou de peças que apresentem defeitos durante o uso normal, contanto que tal Produto tenha sido instalado, usado e submetido à manutenção adequada de acordo com as instruções. A TOTO se reserva o direito de realizar tais inspeções conforme necessário para determinar a causa do defeito. A TOTO não cobrará pela mão de obra ou por peças relacionadas a reparos ou substituições em garantia. A TOTO não é responsável pelo custo de remoção, devolução e/ou reinstalação do Produto.
3. Esta garantia não se aplica aos seguintes itens:
 - a. Danos ou perdas sofridos em desastres naturais como incêndios, terremotos, enchentes, trovoadas, tempestades elétricas etc.
 - b. Danos ou perdas resultantes de quaisquer acidentes, uso excessivo, uso indevido, abuso, negligência ou de cuidados, limpeza ou manutenção inadequada do Produto.
 - c. Danos ou perdas resultantes de sedimentos ou corpos estranhos contidos em um sistema hidráulico.
 - d. Danos ou perdas resultantes de instalação inadequada ou instalação do Produto em um ambiente severo e/ou de risco, ou de remoção, reparos ou modificações inadequados do Produto, o que inclui o uso de componentes não originais da TOTO.
 - e. Danos ou perdas resultantes de oscilações de energia ou quedas de raios ou outros atos que não sejam de responsabilidade da TOTO ou os quais o Produto não seja especificado para suportar.
 - f. Danos ou perdas resultantes do desgaste normal e habitual, como redução do brilho, arranhões ou desbotamento ao longo do tempo devido ao uso, práticas de limpeza ou água ou condições atmosféricas, incluindo, mas não limitados a, o uso de alvejantes, álcali, limpadores ácidos, limpadores a seco (pó) ou quaisquer outros limpadores abrasivos ou o uso de esponjas de metal ou nylon.

Para obter o serviço de reparos da garantia sob esta garantia, por favor envie um e-mail para suporte@toto.com para obter instruções sobre como proceder com sua reivindicação. Você pode ser instruído a (1) levar o Produto ou fazer a entrega pré-paga a um prestador de serviços da TOTO juntamente com o comprovante de compra (recibo de compra original) e uma carta declarando o problema; (2) entrar em contato com um distribuidor ou prestador de serviços de produtos da TOTO; ou (3) se, devido ao tamanho do Produto ou natureza do defeito, o Produto não puder ser devolvido a um centro de assistência autorizado da TOTO, a TOTO pode optar por reparar o Produto no local do comprador ou pagar pelo transporte do Produto para uma prestadora de serviços.

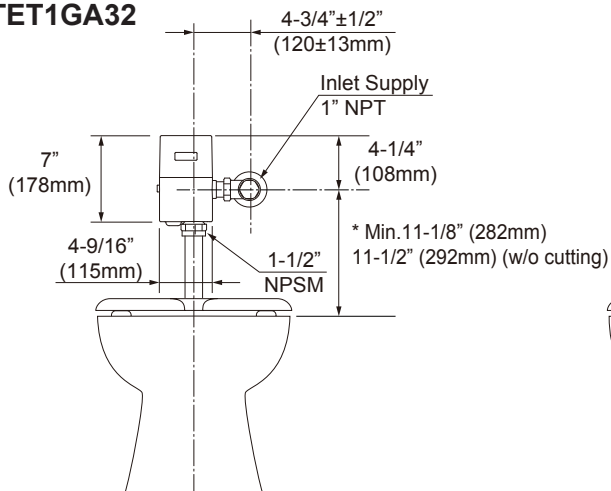
ATENÇÃO! A TOTO não é responsável por qualquer defeito de, ou dano a, esse Produto causado por cloraminas no tratamento do fornecimento público de água ou limpadores contendo cloro (hipoclorito de cálcio). **ATENÇÃO:** O uso de alta concentração de cloro ou produtos à base de cloro pode danificar seriamente os acessórios. Esse dano pode causar vazamentos e outros problemas graves.

ESTA GARANTIA POR ESCRITO É A ÚNICA GARANTIA FEITA PELA TOTO. REPAROS, SUBSTITUIÇÕES OU OUTROS AJUSTES APROPRIADOS CONFORME FORNECIDOS SOB ESTA GARANTIA SERÃO O ÚNICO RECURSO DISPONÍVEL AO COMPRADOR ORIGINAL. A TOTO NÃO SERÁ RESPONSÁVEL PELA PERDA DO PRODUTO OU POR OUTROS DANOS OU GASTOS INCIDENTAIS, ESPECIAIS OU CONSEQUENTES INCORRIDOS PELO COMPRADOR ORIGINAL OU POR CUSTOS DE MÃO DE OBRA OU OUTROS DEVIDO À INSTALAÇÃO OU REMOÇÃO, OU CUSTOS DE REPAROS FEITOS POR TERCEIROS, OU POR QUALQUER OUTRO GASTO NÃO DECLARADO ESPECIFICAMENTE ACIMA. EM NENHUM CASO A RESPONSABILIDADE DA TOTO EXCEDERÁ O PREÇO DE COMPRA DO PRODUTO. EXCETO QUANTO À EXTENSÃO PROIBIDA POR LEI APLICÁVEL, QUAISQUER GARANTIAS IMPLÍCITAS, INCLUINDO A DE COMERCIALIZAÇÃO OU ADEQUAÇÃO PARA USO OU PARA UMA FINALIDADE ESPECÍFICA, SÃO EXPRESSAMENTE ISENTAS. ALGUNS PAÍSES, REGIÕES, ESTADOS ETC. NÃO PERMITEM LIMITAÇÕES SOBRE A DURAÇÃO DE UMA GARANTIA IMPLÍCITA OU A EXCLUSÃO OU LIMITAÇÃO DE DANOS INCIDENTAIS OU CONSEQUENTES, PORTANTO, A LIMITAÇÃO E A EXCLUSÃO ACIMA PODEM NÃO SE APLICAR A VOCÊ.

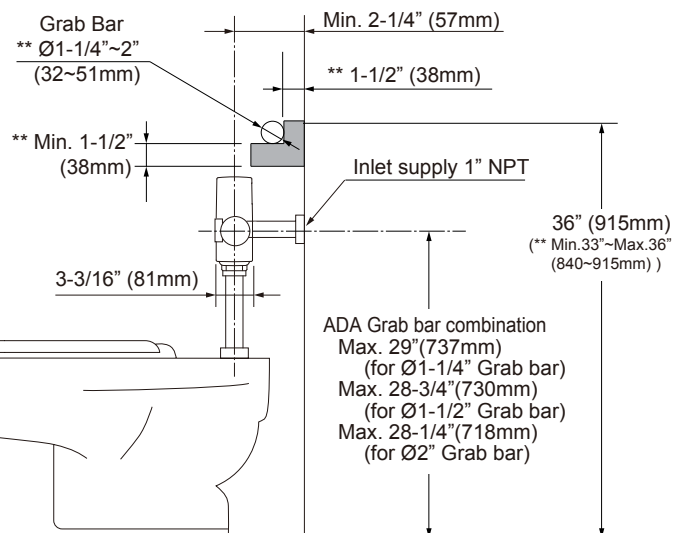
ROUGH-IN DIMENSIONS / BOSQUEJO / ROBINETTERIE BRUTE / DIMENSÕES APROXIMADAS



TET1LA32
TET1GA32

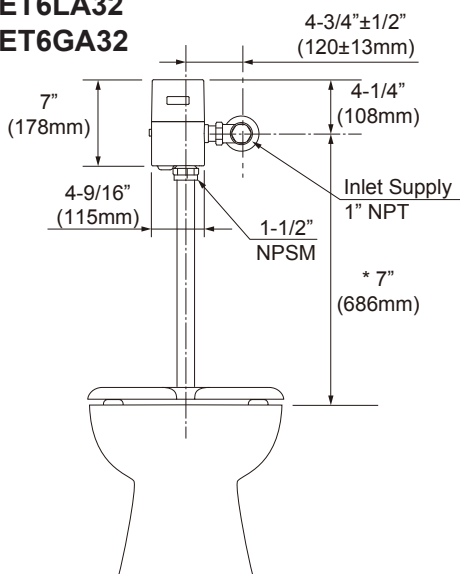


* Check local codes

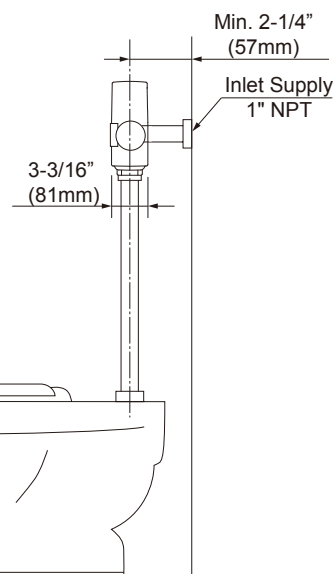


** ADA 2010 Section 609

TET6LA32
TET6GA32

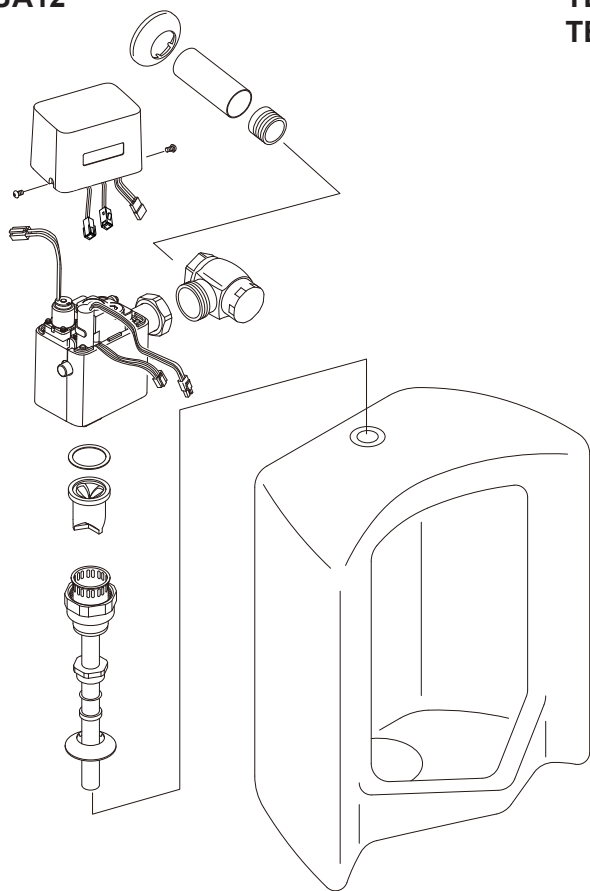


* Check local codes

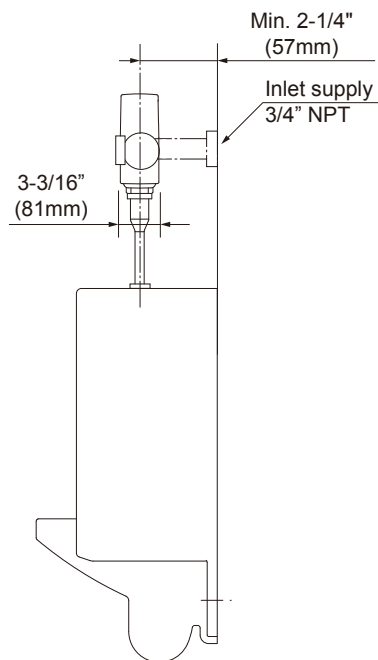
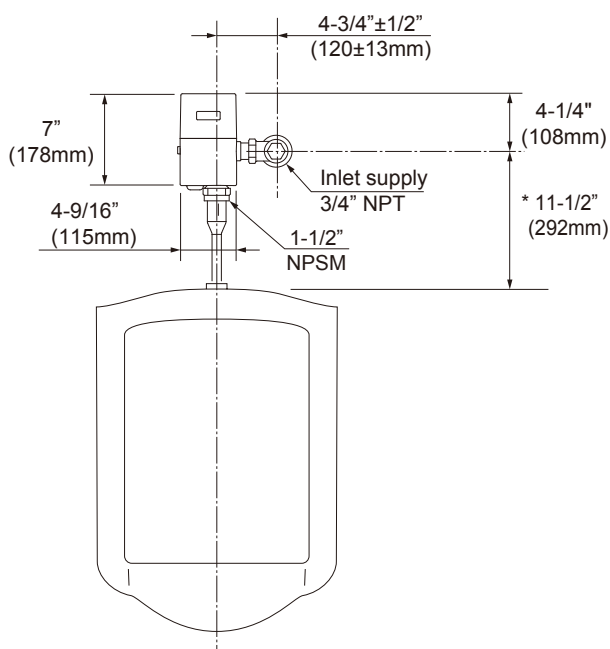
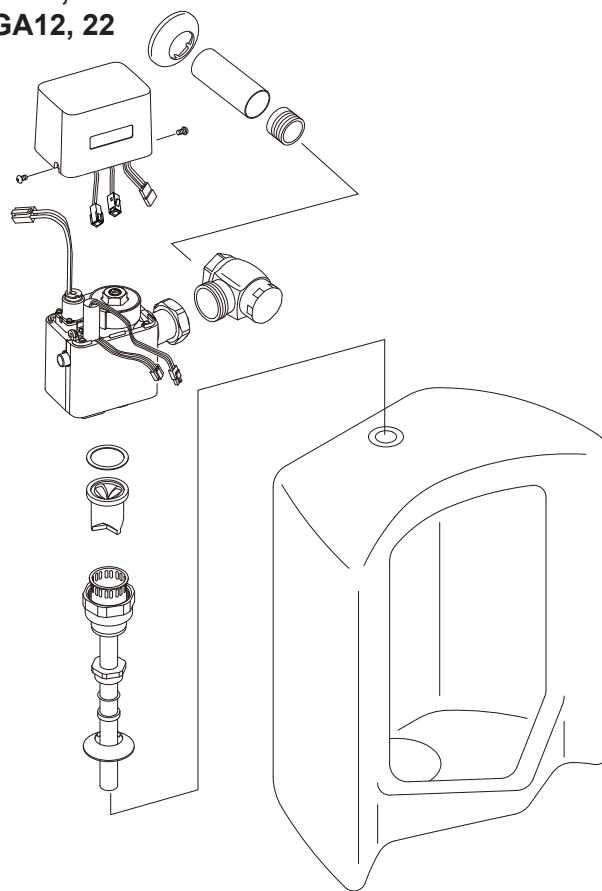


ROUGH-IN DIMENSIONS / BOSQUEJO / ROBINETTERIE BRUTE / DIMENSÕES APROXIMADAS

TEU1UA12



TEU1LA12, 22
TEU1GA12, 22



* Check local codes

TOTO®

TOTO® U.S.A., Inc. 1155 Southern Road,
Morrow, Georgia 30260
Tel: 888-295-8134 Fax: 800-699-4889
www.totousa.com

0GU3062

Rev.A



0G434X

Warranty Registration and Inquiry

For product warranty registration, TOTO U.S.A. recommends online warranty registration. Please visit our web site <http://www.totousa.com>. If you have questions regarding warranty policy or coverage, please contact TOTO U.S.A. Inc., Customer Service Department, 1155 Southern Road, Morrow, GA 30260 (888) 295-8134 or (678) 466-1300 when calling from outside of U.S.A.