

Rowan® Close Coupled Toilet, 1.6GPF

FEATURES

- Gravity flushing system, low consumption (1.6GPF/6.0LPF)
- Elongated bowl
- Universal Height
- ADA compliant
- Close coupled, elongated front bowl and tank set, less toilet seat
- Chrome trip lever
- 12" Rough-in

MODELS

- CST406F

COMPONENTS

- C406F - Elongated Front Bowl
- ST406 - Tank and Cover only
- SS114 SoftClose® seat (sold separately)

COLORS/FINISHES

- Standard
 - #01 Cotton
 - #12 Sedona Beige



PRODUCT SPECIFICATION

The two-piece, universal height, low consumption Gravity flushing system toilet shall be 1.6GPF. Toilet shall have high-profile tank, elongated bowl and chrome trip lever. Toilet shall be ADA compliant and universal height. Toilet shall be TOTO Model CST406F_____.

CODES/STANDARDS

- Meets and exceeds ASME A112.19.2/CSA B45.1
- Certifications: IAPMO(cUPC)
- Code compliance: UPC, IPC, NSPC, NPC Canada, and others
- ADA compliant (when installed with trip lever located on the approach side)



CST406F

Rowan® Close Coupled Toilet, 1.6GPF

SPECIFICATIONS

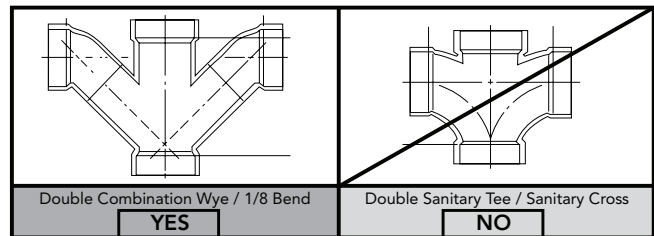
- Water Use 1.6 GPF (6.0 LPF)
- Flush System Gravity
- Min. Water Pressure 8 psi (flowing)
- Water Surface 5-1/2" x 7-1/4"
- Trap Diameter 1-7/8"
- Rough-in 12"
- Trap Seal 2"
- Warranty One Year Limited Warranty
- Material Vitreous china
- Shipping Weight C406F - 53lbs
ST406 - 35lbs
- Shipping Dimensions C406F - 28" x 16" x 17"

ST406 - 20-1/2" X 8" X 18-3/4"

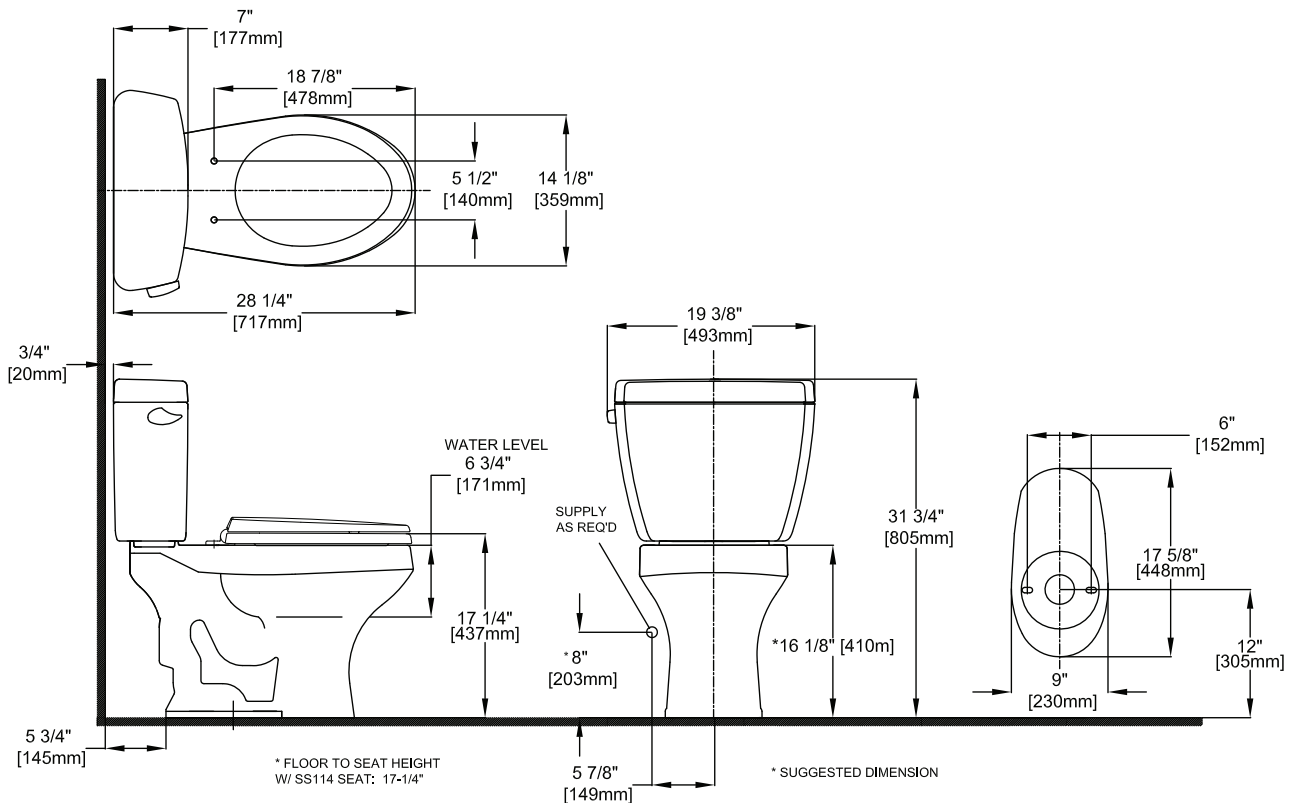
INSTALLATION NOTES

Back-to-Back Toilet Installations:

TOTO recommends the use of a nationally listed, double sanitary tee-wye only, in vertical waste stacks, in accordance with the stipulations noted in the majority of nationally recognized plumbing codes.



To maintain adequate wall gap between the back of the tank and wall, mount the floor flange at a nominal 12" rough-in distance.



TOTO

These dimensions and specifications are subject to change without notice