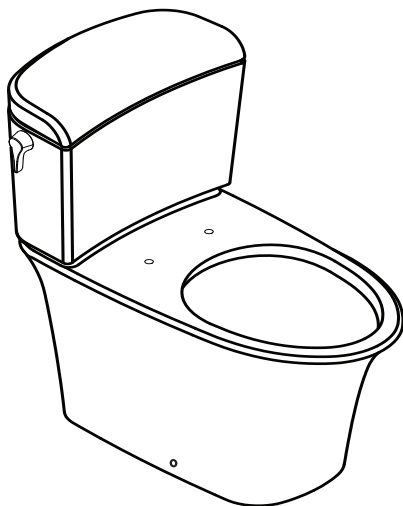


**Dual Flush Toilets**

**Inodono de Doble Cisterna**

**Toilettes à Double Chasse D'eau**



**CST484CEMF(G)**

**Warranty Registration and Inquiry**

For product warranty registration, TOTO U.S.A. Inc. recommends online warranty registration. Please visit our web site <http://www.totousa.com>. If you have questions regarding warranty policy or coverage, please contact TOTO U.S.A. Inc., Customer Service Department, 1155 Southern Road, Morrow, GA 30260 (888) 295-8134 or (678) 466-1300 when calling from outside of U.S.A.

## TABLE OF CONTENTS


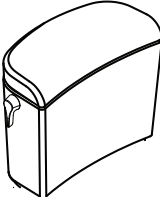
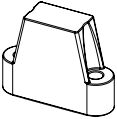
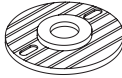



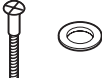

Thanks for Choosing TOTO! .....	2
Included Parts .....	2
Common Tools Needed.....	2
Before Installation.....	3
Installation Procedure.....	4-6
Fill Valve Replacement Instructions.....	6
Water Level Adjustment.....	7
Warranty.....	8

## THANKS FOR CHOOSING TOTO!

The mission of TOTO is to provide the world with healthy, hygienic and more comfortable lifestyles. We design every product with the balance of form and function as a guiding principle. Congratulations on your choice.

## INCLUDED PARTS

Check to make sure you have all these parts from the package:

 Bowl	 Lid & Tank	 Mounting Block (2 pieces)	 Socket	 Wing Nut & Washer for Tank Mounting (2 pieces each)
 Anchor (4 pieces)	 Top Mount Bolt Set (for seat)	 Screw & Washer for Mounting Block Installation (4 pieces each)	 Side Screw and Side Screw Cap for Mounting Block (2 pieces each)	

(Not pictured but also included: Socket Template, Tank-to-Bowl Gasket)

## COMMON TOOLS NEEDED

- |   |   |   |
|---|---|---|
| <ul style="list-style-type: none"> <li>• 12" pipe wrench</li> <li>• 10" adjustable wrench</li> <li>• Carpenter's Level</li> <li>• Tape Measure</li> </ul> | <ul style="list-style-type: none"> <li>• Screwdriver</li> <li>• Putty Knife</li> <li>• Drill</li> <li>• Pliers</li> </ul> | <ul style="list-style-type: none"> <li>• For wood floor installation:                             <ul style="list-style-type: none"> <li>- 3/32" drill bit for Socket</li> <li>- 11/64" drill bit for Mounting Block</li> </ul> </li> <li>• For concrete/tile installation:                             <ul style="list-style-type: none"> <li>- 9/32" drill bit for Socket</li> <li>- 11/32" drill bit for Mounting Block</li> </ul> </li> </ul> |
|---|---|---|

### MATERIALS REQUIRED (Not Included):

- |  |  |
|--|--|
| <ul style="list-style-type: none"> <li>• Flexible Supply Tube / Connector</li> <li>• Supply Stop Valve</li> <li>• Closet Flange</li> </ul> | <ul style="list-style-type: none"> <li>• Mounting (T) Bolts &amp; Nuts (2pc)</li> <li>• Wax Ring / Seal</li> </ul> |
|--|--|

## WARNINGS

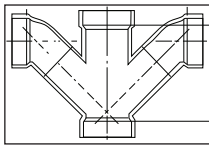
- Do not forcefully push or kick the toilet. This may cause injury or damage to the product.
- Do not drop hard objects in the toilet. This may cause damage or leaking.
- Do not clean the toilet with harsh detergents or solvents which may cause damage to the vitreous china.
- Avoid the sudden introduction of hot water to a cold toilet. This may damage the toilet.
- Cold water in toilet tank may cause condensation depending on environmental conditions.
- **If cracking occurs, discontinue use of the toilet.** Failure to do so may cause serious injury.

## BEFORE INSTALLATION

- Read these instructions thoroughly before beginning work.
- Please leave instructions for customers. These instruction contain maintenance and warranty information.
- If necessary, remove the existing toilet.

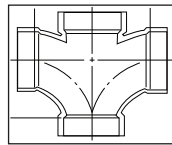
### IMPORTANT!

Due to the powerful performance of our Cyclone, G-Max, E-Max and Power Gravity flushing systems, they are not specified for back-to-back installations. The only means of installing these toilets in a back-to-back situation is when the toilet drain connections incorporate a WYE fitting. Please contact your builder or contractor prior to this installation.



Double Combination WYE / 1/8 Bend

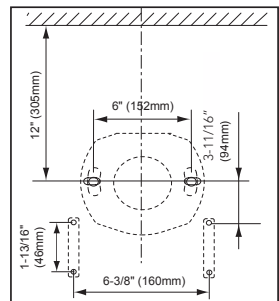
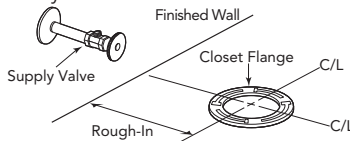
**YES**



Double Sanitary Tee / Sanitary Cross

**NO**

1. Distance between finished wall and the center of the floor drain, "RI", must be 12" (305mm).
2. Water supply should be approximately 8" to 10" to the left (facing the bowl) from the center line of closet flange, and approximately 6" above the finished floor.
3. Using the provided template, confirm the installation dimensions of the Socket and the mounting blocks.



## TROUBLESHOOTING

PROBLEM	CAUSE	SOLUTION
Fill valve turns on/off without toilet being flushed.	Flush valve seal gasket is dirty.	Inspect and clean flush valve seal gasket.
Fill valve continuously running.	Dirty fill valve seal	Shut off water supply. Open fill valve cap and clean valve seal.
	Flush valve seal gasket is dirty.	Inspect and clean flush valve seal gasket.
Poor flush	Flush valve chain(s) entangle	Un-entangle the chains.
	Water supply valve is not fully open.	Open water supply valve.
	Water supply pressure is too low.	The minimum required supply pressure is 20psi. Consult your plumber.
	Trapway is obstructed	Unclog trapway
	Venting is obstructed	Clean venting pipes
Toilet not flushing	Water supply valve is closed	Open water supply valve

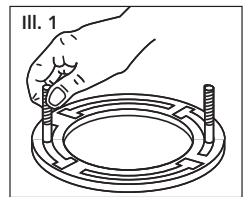
## INSTALLATION PROCEDURE

- Place the installation template on the floor so that the baseline of the template and the center line of the closet flange line up. Mark the screw locations for the mounting blocks. Drill holes at the marked locations per the installation type below. In the case of tile or concrete floor installation, use the provided plastic anchors.

With the location properly marked, drill holes for Mounting Blocks:

- 11/64" on wood floor installation
- 11/32" on concrete / tile installation

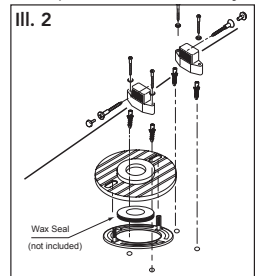
- Clean any debris out of the closet flange, then install the mounting bolts into the slot of the flange head down with the threaded shank of the bolt pointed upward as shown (III. 1). Slide each bolt until the end of slot.



- Turn the Socket upside down. Firmly press a new wax seal onto the circular recess around the outlet opening. Turn the socket upright and lower it onto the position over the closet flange. With the unit properly aligned, press down firmly to set the wax seal.

**CAUTION:** Do not move the Socket after wax seal is set.

- Install a washer and nut on the T-bolt to secure the Socket to the flange (see III. 2). Nut should be tightened 1/2 turn after hand-tightening. **DO NOT USE EXCESSIVE FORCE.** Install the mounting blocks using the provided screws, washers, and anchors. Ensure that blocks are firmly connected to the floor. Use the provided template for the proper alignment.



## Installation Procedure (continued)



To prevent water and odor leakage, please ensure that the wax seal is fitted properly between the Socket and the flange. Do not overtighten the nuts, as damage to the plastic parts may result.

- Place the toilet bowl over the Socket (see III. 3). Install the side screws to the mounting blocks. Cover the screw head with the provided screw-cap (see III. 4).

**IMPORTANT:** If the side screw does not engage the mounting blocks, then either the toilet bowl is not fully inserted in the socket or the mounting block is not installed properly. If the toilet is not installed properly, it may slide out of socket and leak may result. Please ensure that both sides are properly fitted and secure. Be sure not to over-tighten the screws, as it may results in product damage.



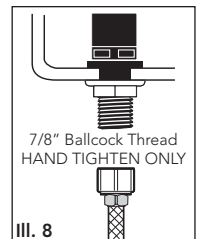
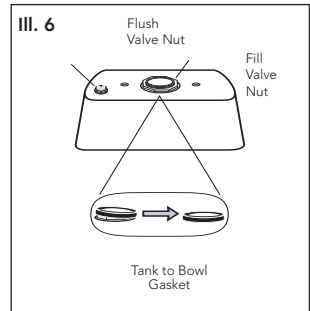
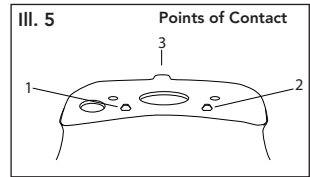
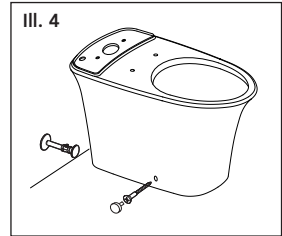
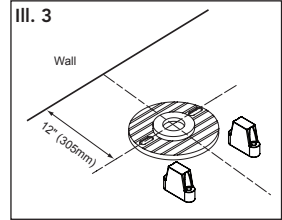
### NOTE: Three Points of Contact:

The toilet bowl has three points of contact, which will actually contact the bottom of the toilet tank when properly installed. The location of these points can be seen on the bowl at the tank receiving area. The three points are front left (1), front right (2), and back center (3). Recall these three points during the Toilet Tank installation (see III. 5).

- Place the tank upside down onto some padding. Inspect the smaller fill valve nut and larger flush valve nut for a secure connection (see III. 6). Try to tighten the nuts with your hands. If loose, tighten the nut hand tight and an additional 1/4 turn for the smaller fill valve nut and an additional 1/2 turn for the larger flush valve nut.

Place the tank-to-bowl gasket onto the flush valve nut. While pressing down, spread the gasket over the nut until the gasket touches the bottom of the tank. A slight gap between the tank bottom and the gasket is allowable.

- Install and tighten the water supply hose to bottom of fill valve. (see III. 8).
- Pick up the tank and carefully guide the brass bolts and water supply line to align the tank with the bowl. Attach a metal washer and wing nut to each bolt. Tighten the wing nuts finger tight and inspect that the tank is level (see III. 9). Once level, tighten the bolts equally until the tank makes **THREE POINTS OF CONTACT** with the bowl.



## Installation Procedure (continued)

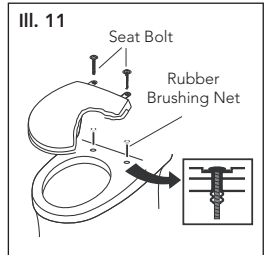
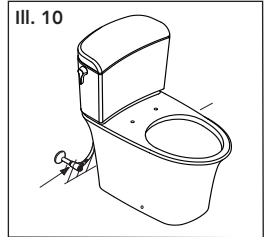
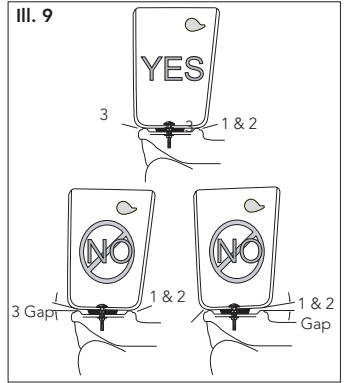
9. Connect the water supply valve (see Ill.10). Tighten this connection, finger tight.
10. Flush the water supply line for a few seconds to remove any debris that may enter the new fill valve. (For new home constructions and/or additions, flush the water supply line for more than a minute to help remove any residual PVC adhesives, solder flux, and/or pipe sealants that were used for the new plumbing.)

**CAUTION:** Avoid using a wrench to tighten the connection as you may damage the plastic threads and/or cause the fill valve to rotate inside the tank.

**NOTE:** The water supply pressure should be 20 to 80 psi static.

11. No fill valve adjustments are needed. The water will automatically stop at proper level.
12. Install the toilet tank lid onto the toilet tank top (see Ill. 10).
13. The toilet seat is installed with the top-mount bolt set (see Ill. 11). Insert the rubber bushing-nut into the seat mounting holes. Place the seat on the bowl and rotate the hinge unit into place while holding the seat down on the bowl. Tighten the bolt from the top with the screwdriver.

**NOTE:** Tighten the seat bolt until the hinge is secure. The seat and lid will have slight side to side movement, which is normal. This freedom of movement allows the seat to SoftClose® without binding.



## FILL VALVE REPLACEMENT INSTRUCTIONS

### Installation Procedure

1. Shut off the water supply to the toilet. Have paper towels ready in case of spill.
2. Flush toilet and remove remaining water from tank with a sponge.
3. Remove the water supply hose from water supply valve on wall/floor.
4. Unscrew both nuts from bolts under tank. Carefully remove tank from toilet's bowl.
5. Remove refill tube from fill valve. Remove old fill valve from tank.
6. Thread mounting nut onto fill valve shank and tighten the nut.  
**NOTE:** Do not over-tighten. Be sure to install fill valve in a position that does not interfere with the trip lever operation.
7. Pick up the tank and carefully guide the brass bolts and supply hose to align the tank with the bowl. Attach and tighten a metal washer and wing nut to each bolt.
8. Connect water supply hose to supply valve on wall or floor.

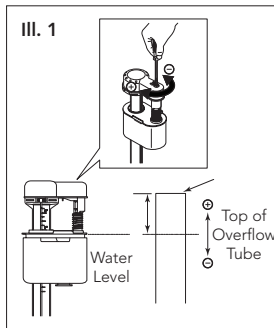
**NOTE:** Do not overtighten. These are plastic parts. Never use pipe dope on any water supply connection.

## Installation Procedures (continued)

9. Attach refill tube to fill valve nipple and clip other end of refill tube to the overflow pipe.
10. Turn water supply ON and check for leaks outside the tank.  
 NOTE: As water fills the tank, water is also directed into the overflow tube via the refill tube. This additional flow of water is critical to refilling your toilet's bowl. Once the water stops filling the tank, some residual drops of water may drip from the fill valve. This is NORMAL as these drops will subside.

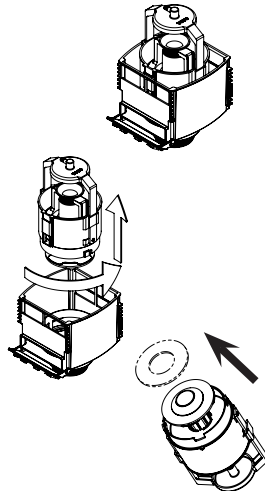
## WATER LEVEL ADJUSTMENT

Refer to the water level (WL) setting marked on the inner wall of the tank. Allow the water to fill the tank. Turn the adjustment screw clockwise in the (+) direction to increase the water level height (see Illustration 1). Turn the adjustment screw counter-clockwise in the (-) direction to decrease the water level height. Flush the toilet to verify the correct water level. Adjust as necessary.



## FLUSH VALVE SERVICING INSTRUCTIONS

1. Turn off the water supply and flush the toilet.
2. Remove the tank lid and place it upside down on a clean surface.
3. Turn upper half of valve counter clockwise and pull out the flush valve.
4. Pull the rubber seal gasket sideways to remove from the flush valve.
5. Rinse under running water to clean.
6. Remove the rubber seal gasket and rinse under running water to clean.
7. Place the gasket back on the flush valve.  
 NOTE: Be sure to twist and secure tightly to the base.
8. Install the flush valve back on the base.
9. Carefully, install the tank lid back on the tank.
10. Flush the toilet several times to verify proper operation
11. Check for leakage.



## CARE AND CLEANING

### WARNING!

DO NOT USE IN-TANK BOWL CLEANERS.

The use of high concentration of chlorine or chlorine-related products can seriously damage fittings in the tank. This damage can cause leakage and property damage. TOTO shall not be responsible or liable for any tank fitting failure or damage caused by the use of in-tank bowl cleaners.

## WARRANTY

1. TOTO warrants its vitreous china products ("Product") to be free from defects in materials and workmanship during normal use when properly installed and serviced, for a period of one (1) year from date of purchase. This limited warranty is extended only to the ORIGINAL PURCHASER of the Product and is not transferable to any third party, including but not limited to any subsequent purchaser or owner of the Product. This warranty applies only to TOTO Product purchased and installed in North, Central and South America.
2. TOTO's obligations under this warranty are limited to repair, replacement or other appropriate adjustment, at TOTO's option, of the Product or parts found to be defective in normal use, provided that such Product was properly installed, used and serviced in accordance with instructions. TOTO reserves the right to make such inspections as may be necessary in order to determine the cause of the defect. TOTO will not charge for labor or parts in connection with warranty repairs or replacements. TOTO is not responsible for the cost of removal, return and/ or reinstallation of the Product.
3. This warranty does not apply to the following items:
  - a. Damage or loss sustained in a natural calamity such as fire, earthquake, flood, thunder, electrical storm, etc.
  - b. Damage or loss resulting from any accident, unreasonable use, misuse, abuse, negligence, or improper care, cleaning, or maintenance of the Product.
  - c. Damage or loss resulting from sediments or foreign matter contained in a water system.
  - d. Damage or loss resulting from improper installation or from installation of the Product in a harsh and/or hazardous environment, or improper removal, repair or modification of the Product. (NOTE: Product model codes allow a maximum of 80 PSI. Check local codes or standards for requirements).
  - e. Damage or loss resulting from electrical surges or lightning strikes or other acts which are not the fault of TOTO or which the Product is not specified to tolerate.
  - f. Damage or loss resulting from normal and customary wear and tear, such as gloss reduction, scratching or fading over time due to use, cleaning practices or water or atmospheric conditions.
  - g. Tank flushing mechanisms of plastic or rubber moving parts.
  - h. Toilet seats of plastic, wood or metal.
4. In order for this limited warranty to be valid, proof of purchase is required. TOTO encourages warranty registration upon purchase to create a record of Product ownership at <http://www.totousa.com>. Product registration is completely voluntary and failure to register will not diminish your limited warranty rights.
5. THIS WARRANTY GIVES YOU SPECIFIC LEGAL RIGHTS. YOU MAY HAVE OTHER RIGHTS WHICH VARY FROM STATE TO STATE, PROVINCE TO PROVINCE OR COUNTRY TO COUNTRY.
6. To obtain warranty repair service under this warranty, you must take the Product or deliver it prepaid to a TOTO service facility together with proof of purchase (original sales receipt) and a letter stating the problem, or contact a TOTO distributor or products service contractor, or write directly to TOTO U.S.A., INC., 1155 Southern Road, Morrow, GA 30260 (678) 466-1300 or (888) 295-8134, if outside the U.S.A. If, because of the size of the Product or nature of the defect, the Product cannot be returned to TOTO, receipt by TOTO of written notice of the defect together with proof of purchase (original sales receipt) shall constitute delivery. In such case, TOTO may choose to repair the Product at the purchaser's location or pay to transport the Product to a service facility.

**WARNING!** TOTO shall not be responsible or liable for any failure of, or damage to, this Product caused by either chloramines in the treatment of public water supply or cleaners containing chlorine (calcium hypochlorite). NOTE: The use of a high concentrate chlorine or chlorine related products can seriously damage the fittings. This damage can cause leakage and serious property damage.

THIS WRITTEN WARRANTY IS THE ONLY WARRANTY MADE BY TOTO. REPAIR, REPLACEMENT OR OTHER APPROPRIATE ADJUSTMENT AS PROVIDED UNDER THIS WARRANTY SHALL BE THE EXCLUSIVE REMEDY AVAILABLE TO THE ORIGINAL PURCHASER. TOTO SHALL NOT BE RESPONSIBLE FOR LOSS OF THE PRODUCT OR FOR OTHER INCIDENTAL, SPECIAL OR CONSEQUENTIAL DAMAGES OR EXPENSES INCURRED BY THE ORIGINAL PURCHASER, OR FOR LABOR OR OTHER COSTS DUE TO INSTALLATION OR REMOVAL, OR COSTS OF REPAIRS BY OTHERS, OR FOR ANY OTHER EXPENSE NOT SPECIFICALLY STATED ABOVE. IN NO EVENT WILL TOTO'S RESPONSIBILITY EXCEED THE PURCHASE PRICE OF THE PRODUCT. EXCEPT TO THE EXTENT PROHIBITED BY APPLICABLE LAW, ANY IMPLIED WARRANTIES, INCLUDING THAT OF MERCHANTABILITY OR FITNESS FOR USE OR FOR A PARTICULAR PURPOSE, ARE EXPRESSLY DISCLAIMED. SOME STATES DO NOT ALLOW LIMITATIONS ON HOW LONG AN IMPLIED WARRANTY LASTS, OR THE EXCLUSION OR LIMITATION OF INCIDENTAL OR CONSEQUENTIAL DAMAGES, SO THE ABOVE LIMITATION AND EXCLUSION MAY NOT APPLY TO YOU.





# ÍNDICE

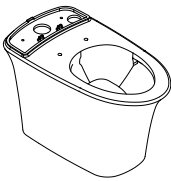
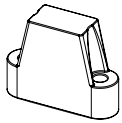
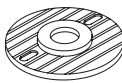
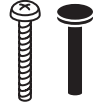
¡Gracias Por Elegir TOTO!.....	10
Partes incluidas .....	10
Herramientas Necesarias .....	10
Advertencias.....	11
Antes de la Instalación .....	11
Instrucciones de instalación.....	12-15
Instrucciones para la válvula de carga del tanque .....	16
Cuidado y Limpieza.....	16
Garantía .....	17

## ¡GRACIAS POR ELEGIR TOTO!

La misión de TOTO es dar al mundo estilos de vida más saludables, higiénicos y cómodos. Diseñamos cada producto guiándonos por el principio del equilibrio entre forma y función. Felicitaciones por su elección.

## PARTES INCLUIDAS

Asegúrese de que tiene todas las piezas del empaque:

				
Taza	Tapa, tanque	Bloque para montaje (2 piezas)	Socket	Tuerca mariposa y arandela para montaje del tanque (2 de cada uno)
				
Taquetes (4 piezas)	Conjunto de pernos del montaje superior (para el asiento)	Tornillo y arandela para la instalación del bloque de montaje (4 piezas cada uno)	Tornillo lateral y tapa del tornillo lateral para el bloque para montaje (2 pcs cada uno)	

(No ilustrados pero también incluidos: plantilla del socket, junta del tanque a la taza)

## HERRAMIENTAS NECESARIAS

- Llave para tubería de 12 pulgadas
- Llave ajustable de 10 pulgadas
- Nivel de carpintero
- Cinta para medir
- Destornillador
- Espátula para masilla
- Taladro
- Pinzas
- Para instalación en piso de madera:
  - Broca de 3/32" para el acople
  - Broca de 11/64" para el soporte
- Para instalación en pisos de concreto o mosaico:
  - Broca de 9/32" para el acople
  - Broca de 11/32" para el soporte

### MATERIALES NECESARIOS: (no incluida)

- Junta del inodoro
- Tubo flexible y conector de entrada de agua
- Válvula de entrada
- Pernos en T y tuercas (2 de cada uno)
- Junta sellante

## ADVERTENCIA

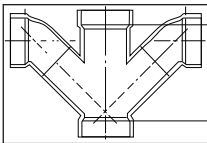
- No empuje ni pateee el excusado con fuerza. Esto puede provocar lesiones o daño al producto.
- No arroje objetos sólidos en el excusado. Esto puede provocar daño o pérdida de agua.
- No limpie el excusado con detergentes o solventes agresivos que pueden dañar la porcelana vítrea.
- Evite colocar en forma repentina agua caliente en un excusado frío. Esto puede dañar el excusado.
- El agua fría dentro del tanque del excusado puede producir condensación según las condiciones ambientales.
- Si aparecen grietas, suspenda el uso del excusado. Si no lo hace, se puede producir una lesión grave.

## ANTES DE LA INSTALACIÓN

- Lea atentamente estas instrucciones antes de comenzar a trabajar.
- Deje las instrucciones para los clientes. Las instrucciones contienen información de mantenimiento y de la garantía.
- Desmontar el inodoro en uso.

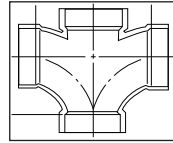
### ¡IMPORTANTE!

La descarga de agua de nuestros modelos Cyclone, G-Max, E-Max y Power Gravity es muy fuerte, por ello no se recomienda usarlos para instalaciones de inodoros interconectados. La única manera de instalar estos inodoros interconectados es mediante un drenaje de agua con conexión bifurcada (en Y). Consulte a un contratista antes de proceder con la instalación.



Combinación doble bifurcada (Y) / Curva de 1/8

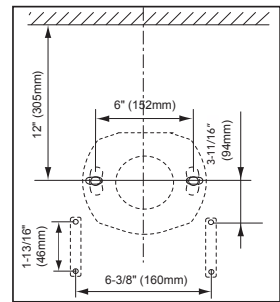
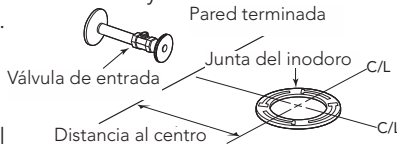
**SI**



Conexión sanitaria en T (cruzada)

**NO**

1. La distancia entre la pared terminada y el centro del drenaje en el piso ("RI") debe ser de 12" (305 mm).
2. La toma de entrada de agua debe estar aproximadamente a 8" a 10" a la izquierda (de frente al inodoro) de la línea central y a 6" sobre el nivel de piso terminado..
3. Con la plantilla suministrada, confirmar las dimensiones del acople y de los soportes.



## GUÍA PARA RESOLVER PROBLEMAS

PROBLEMA	CAUSA	SOLUCIÓN
La válvula de llenado se enciende y se apaga sin que usted tire la cadena.	La junta de sello de la válvula de la cisterna está sucia.	Inspeccione y limpie la junta de sello de la válvula de la cisterna.
La válvula de llenado deja pasar agua continuamente.	El sello de la válvula de llenado está sucio	Cierre el suministro de agua. Abra la tapa de la válvula de llenado y limpie el sello de la válvula.
	La junta de sello de la válvula de la cisterna está sucia.	Inspeccione y limpie la junta de sello de la válvula de la cisterna.
La cisterna funciona deficientemente	Cadena(s) de la válvula de vaciado se enredan	Desenreda la cadena(s).
	La válvula de suministro de agua no está completamente abierta.	Abra la válvula de suministro de agua.
	La presión del suministro de agua es demasiado baja.	La presión de suministro mínima necesaria es de 20 psi. Consulte con un plomero.
	El sifón está obstruido	Destape el sifón
	El tubo de ventilación está obstruido	Limpie los tubos de ventilación
El excusado no descarga agua	La válvula de suministro de agua está cerrada	Abra la válvula de suministro de agua

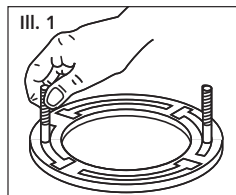
## INSTRUCCIONES DE INSTALACIÓN

- Colocar la plantilla sobre el piso alineando la línea de base de la plantilla con el línea central de la junta del inodoro. Marcar el lugar de los tornillos de los soportes. Hacer los agujeros en los lugares marcados, para el tipo de instalación mostrado. En el caso de instalación en piso de mosaico o concreto usar los tarugos de plástico suministrados.

Hacer los agujeros en los lugares marcados para los soportes:

- 11/64" para instalación en piso de madera
- 11/32" para instalación en piso de concreto/mosaico

- Limpieza los residuos e instalar los pernos de montaje en la ranura de la junta, con la parte roscada hacia arriba, tal como se muestra en la ilustración 1. Desplazar los tornillos hasta el extremo de la ranura.



- Dar vuelta el acople. Apoyar firmemente una junta sellante nueva en la depresión circular de la abertura de drenaje. Dar vuelta el acople hacia arriba y bajarlo hasta la junta sellante. Con la unidad alineada, presionar firmemente la junta sellante para fijarla en su lugar.

**PRECAUCIÓN:** No mover el acople después que la junta esté asentada en su lugar.

## Instrucciones de instalación (continuación)

4. Colocar la arandela y la tuerca en el perno en T para fijar el acople a la brida (véase la ilustración 2). Ajustar primero a mano y luego  $\frac{1}{2}$  vuelta más. **NO APLICAR FUERZA EXCESIVAMENTE.** Colocar los soportes con los tornillos, arandelas y tarugos suministrados. Asegurarse de que los soportes queden firmemente fijados al piso. Usar la plantilla como guía para la alineación.



Para evitar pérdida de agua y filtración de olor verificar que la junta sellante esté bien asentada entre el acople y la brida. No ajustar excesivamente las tuercas ya que podría dañarse la parte de plástico.

5. Colocar el inodoro sobre el acople (véase la ilustración 3). Colocar los tornillos laterales en los soportes. Colocar la tapa del tornillo (véase la ilustración 4).

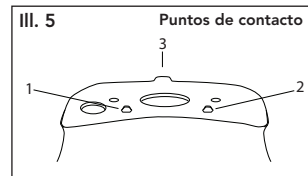
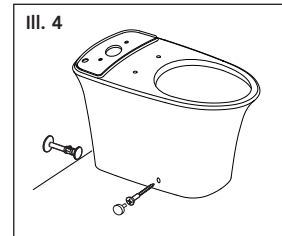
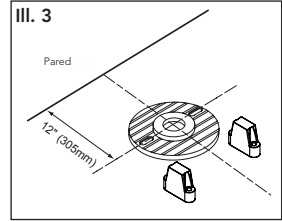
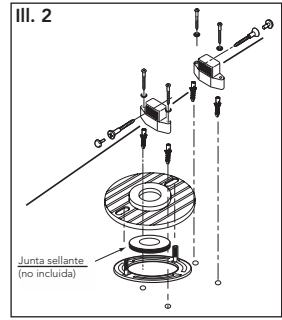


**IMPORTANTE:** Si el tornillo lateral no entrara en los soportes significa que el inodoro no está correctamente asentado o los soportes no están alineados correctamente. Si el inodoro no se instala correctamente podría salirse del acople y se producirán pérdidas. Verificar que los tornillos de ambos lados estén firmemente colocados. No ajustar excesivamente los tornillos ya que podría dañarse el producto.

**NOTA:** Tres puntos de contacto:

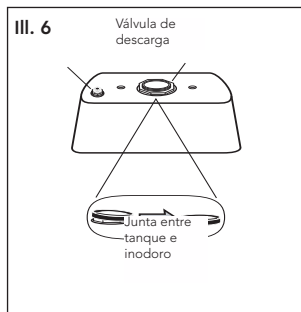
El inodoro tiene tres puntos de contacto con la parte inferior del tanque. Dichos puntos pueden verse en la parte del inodoro en la que se apoya el tanque. Los puntos de contacto están al frente a la izquierda, al frente a la derecha y atrás en el centro. Recuerde la ubicación de estos puntos al instalar el tanque (véase la ilustración 5).

6. Apoyar el tanque en posición invertida sobre una superficie acolchada. Verificar que estén bien ajustadas la tuerca de la válvula de carga y la tuerca de la válvula de descarga (véase la ilustración 6). Trate de ajustar las tuercas a mano. Si estuvieran flojas, ajústelas a mano al máximo y luego  $\frac{1}{4}$  de vuelta más en la tuerca de la válvula de carga y  $\frac{1}{2}$  vuelta más en la tuerca de la válvula de descarga.

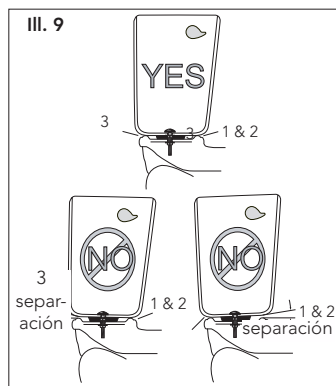


## Instrucciones de instalación (continuación)

Colocar la junta entre tanque e inodoro sobre la tuerca de la válvula de descarga. Presionar la junta sobre la tuerca hasta que haga contacto con la parte inferior del tanque. Es aceptable dejar una separación pequeña entre el tanque y la junta.



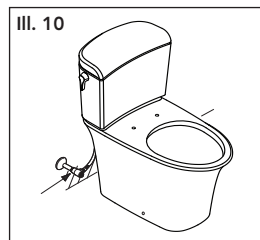
7. Acoplar la manguera de entrada de agua a la parte inferior de la válvula de carga. (véase la ilustración 8).
8. Levantar el tanque y dejarlo alineado con el inodoro, guiando con cuidado los pernos de bronce y la manguera. Colocar una arandela metálica y una tuerca mariposa en cada perno. Ajustar las tuercas a mano y verificar que el tanque esté nivelado (véase la ilustración 9). Si está nivelado, ajustar los pernos uniformemente hasta que el tanque haga **CONTACTO EN TRES PUNTOS** con el inodoro.
9. Conectar la línea de agua a la válvula de entrada (véase la ilustración. 10). Ajustar esta conexión a mano.
10. Hacer circular agua por la línea de entrada durante algunos segundos para eliminar basura que podría entrar a la nueva válvula. (En construcciones nuevas o remodelaciones, hacer circular agua más de un minuto para eliminar posibles residuos de adhesivo de PVC, fundente de soldadura o sellante de tuberías).



**PRECAUCIÓN:** No usar una llave para ajustar la conexión ya que podría dañarse la rosca de plástico y/o la válvula podría girar dentro del tanque.

**NOTA:** La presión estática en la línea de agua debería ser de 20 a 80 psi.

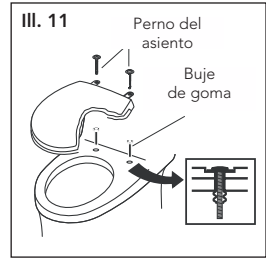
11. No es necesario hacer ningún ajuste en la válvula de carga del tanque. La entrada de agua se cortará cuando el agua llegue al nivel indicado.
12. Instalar la tapa en el tanque (véase la ilustración 10).



## Instrucciones de instalación (continuación)

13. El asiento del inodoro se instala con los pernos de fijación (véase la ilustración 11). Introducir el buje de goma con tuerca en los agujeros. Colocar el asiento y hacer girar el respaldo sobre la bisagra, sosteniendo al mismo tiempo el asiento. Ajustar el perno desde arriba con un destornillador.

**NOTA:** Ajustar el perno del asiento hasta que quede firme. El asiento y la tapa tienen un ligero desplazamiento hacia los lados. Esto es normal. Esta libertad de movimiento le permite al asiento cerrarse sin atascarse (SoftClose®).



## INSTRUCCIONES PARA LA VÁLVULA DE CARGA DEL TANQUE

### Procedimiento de instalación

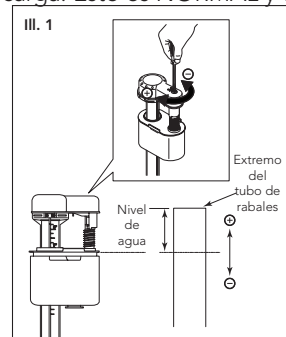
1. Cerrar la entrada de agua. Tener a mano toallas en caso de que se derrame agua.
2. Descargar el tanque y extraer el agua que quede con una esponja grande.
3. Desconectar la manguera de la válvula de entrada de agua que está en la pared o el piso.
4. Quitar las tuercas de los pernos del tanque. Quitar el tanque cuidadosamente.
5. Coloque la válvula de llenado nueva dentro del orificio del tanque.
6. Enrosque la tuerca de montaje en el vástago de la válvula de llenado y apriete la tuerca.

**NOTA:** No apriete de más. Asegúrese de instalar la válvula de llenado en una posición en la que no interfiera con la operación de la palanca.

7. Levantar el tanque y dejarlo alineado con el inodoro, guiando con cuidado los pernos de bronce y la manguera. Colocar una arandela metálica y una tuerca mariposa en cada perno.
8. Conectar la manguera de entrada de agua a la válvula de agua en la pared o el piso. **NOTA:** No ajustar excesivamente. Instalar la válvula de carga donde no interfiera con el movimiento de la palanca.
9. Conectar el tubo de carga al conector de la válvula de carga y enganchar el otro extremo al tubo de rebalse.
10. Abrir el paso de agua y verificar que si hay pérdida fuera del tanque.

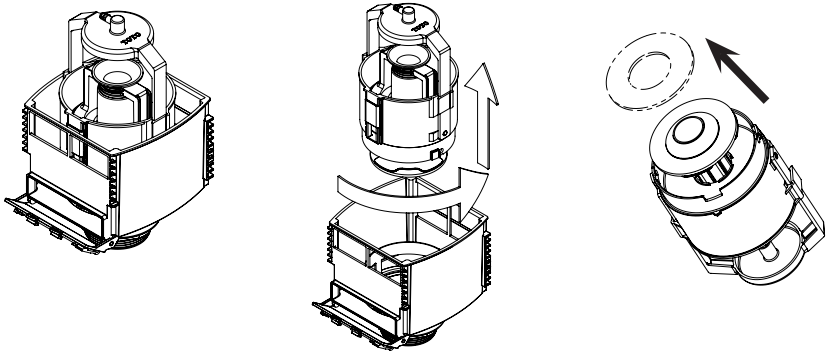
**NOTA:** A medida que el agua entra al tanque, también entrará al tubo de rebalse por el tubo correspondiente. Esta entrada adicional de agua es muy importante para mantener el nivel de agua en la taza. Al finalizar la carga del tanque podrían caer algunas gotas residuales de la válvula de carga. Esto es **NORMAL** y el goteo se detendrá.

Ver la ubicación de la marca de nivel de agua (WL) en el interior del tanque. Dejar que el tanque se cargue. Para aumentar el nivel agua girar el tornillo de regulación en sentido horario (+) (véase la ilustración 1). Para bajar el nivel de agua girar el tornillo de regulación en sentido antihorario (-). Descargar el tanque para verificar el nivel de agua al volver a cargarse. Regular el nivel en la medida de lo necesario.



## INSTRUCCIONES DE SERVICIO DE LA VÁLVULA DE LA CISTERNA

1. Cierre el suministro de agua, luego tire la cadena.
2. Retire la tapa del tanque y colóquela en forma invertida sobre una superficie limpia.
3. Gire la mitad superior de la válvula en sentido contrario a las manecillas del reloj y extraiga la válvula.
4. Empuje la empaquetadura del sello de caucho hacia los costados para quitar la válvula de descarga.
5. Enjuague con agua corriente para limpiar.
6. Retire la junta de sello de goma negra y enjuáguela con agua corriente para limpiarla.
7. Vuelva a colocar la junta en la válvula de la cisterna.  
NOTA: Asegúrese de girar y sujetar firmemente a la base.
8. Instale la válvula nuevamente sobre la base.
9. Vuelva a colocar cuidadosamente la tapa del tanque sobre el mismo.
10. Tire la cadena varias veces con cada botón para comprobar la operación correcta.
11. Verifique que no haya fugas de agua.



## CUIDADO Y LIMPIEZA

### ¡ADVERTENCIA!

NO USAR LIMPIADORES DE INODORO EN EL TANQUE.

Los productos de alto contenido de cloro pueden dañar los accesorios dentro del tanque. Este daño podría causar pérdidas y daños relacionados. TOTO® no asume ninguna responsabilidad por problemas de componentes del tanque debido al uso de productos de limpieza en el tanque.



# GARANTÍA

1. TOTO® garantiza que su vitreos china producto no presenta defectos en sus materiales ni de fabricación durante su uso normal cuando es instalado y mantenido adecuadamente, por un periodo de uno (1) año(s) a partir de la fecha de compra. Esta garantía limitada es válida solamente para el COMPRADOR ORIGINAL del Producto y no es transferible a una tercera persona, incluyendo, pero sin limitarse a, cualquier comprador o propietario subsecuente del Producto. Esta garantía aplica solamente al Producto TOTO comprado e instalado en América del Norte, Central, Latina y del Sur.
2. Las obligaciones de TOTO bajo esta garantía se limitan a la reparación, cambio o cualquier otro ajuste, a petición de TOTO, del Producto o partes que resulten defectuosas en su uso normal, siempre que dicho Producto haya sido instalado, utilizado y mantenido de acuerdo con las instrucciones. TOTO se reserve el derecho de hacer tantas inspecciones como sean necesarias para determinar la causa del defecto. TOTO no cobrará por la mano de obra o partes relacionadas con las reparaciones o cambios garantizados. TOTO no es responsable por el costo de la remoción, devolución y/o reinstalación del Producto.
3. Esta garantía no aplica en los siguientes casos:
  - a) Daño o pérdida ocurrida en un desastre natural, tal como: incendio, sismo, inundación, relámpago, tormenta eléctrica, etc.
  - b) Daño o pérdida resultado de cualquier accidente, uso inaceptable, mal uso, abuso, negligencia o cuidado, limpieza o mantenimiento inadecuado del Producto.
  - c) Daño o pérdida causada por los sedimentos o material extraña contenida en un sistema de agua.
  - d) Daño o pérdida causada por una mala instalación o por la instalación del Producto en un ambiente duro y/o peligroso, o una remoción, reparación o modificación inadecuada del Producto.
  - e) Daño o pérdida causada por sobrecargas eléctricas o rayos u otros actos que no sea responsabilidad de TOTO o que el Producto no esté especificado para tolerar.
  - f) Daño o pérdida causada por el uso normal y personalizado, tal como reducción del brillo, rayado o pérdida de color en el tiempo debido al uso, prácticas de limpieza o condiciones del agua o atmosféricas.
4. Para que esta garantía limitada sea válida, prueba de compra es necesaria. TOTO anima el registro de la garantía sobre compra para cree un archivo de la propiedad del producto en <http://www.totousa.com>. El registro del producto es totalmente voluntario y la falta a registrar no disminuirá sus derechos de garantía limitada.
5. ESTA GARANTÍA LE DA DERECHOS LEGALES ESPECÍFICOS. USTED PODRÍATENER OTROS DERECHOS QUE PUEDEN VARIAR DEPENDIENDO DEL ESTADO O PROVINCIA EN EL QUE SE ENCuentRE.
6. Para obtener el servicio de reparación de esta garantía, debe llevar el Producto o enviarlo prepagado a un modulo de servicios TOTO junto con la prueba de compra (recibo de compra original) y una carta en la que plantee el problema, o póngase en contacto con un distribuidor TOTO o el contratista de servicio de los productos, o escriba directamente a TOTO U.S.A., INC., 1155 Southern Road, Morrow, GA 30260 (678) 466-1300 o (888) 295-8134, si fuera de los E.E.U.U. Si, debido al tamaño del producto o naturaleza del defecto, el Producto no puede ser devuelto a TOTO, la recepción en TOTO del aviso escrito del defecto junto con la prueba de compra (recibo de compra original) constituirá el envío. En tal caso, TOTO podrá escoger entre reparar el Producto en el domicilio del comprador o pagar el transporte del Producto a un módulo de servicio.

ESTA GARANTÍA ESCRITA ES LA ÚNICA GARANTÍA HECHA POR TOTO. LA REPARACIÓN, CAMBIO U OTRO AJUSTE ADECUADO, TAL COMO APARECE EN ESTA GARANTÍA, SERÁ EL ÚNICO REMEDIO DISPONIBLE PARA EL COMPRADOR ORIGINAL. TOTO NO SERÁ RESPONSABLE POR LA PÉRDIDA DEL PRODUCTO O POR CUALQUIER OTRO DAÑO ACCIDENTAL, ESPECIAL O CONSECUENTE O POR DAÑOS INCURRIDOS POR EL COMPRADOR ORIGINAL, O POR LA MANO DE OBRA U OTROS COSTOS RELACIONADOS CON LA INSTALACIÓN O REMOCIÓN, O COSTOS DE REPARACIONES HECHAS POR OTROS, O POR CUALQUIER OTRO GASTO NO INDICADO DE MANERA ESPECÍFICA EN LOS PÁRRAFOS ANTERIORES. EN NINGÚN CASO LA RESPONSABILIDAD DE TOTO EXCEDERÁ EL PRECIO DE COMPRA DEL PRODUCTO. EXCEPTO EN LA MEDIDA EN QUE QUEDE PROHIBIDO POR LA LEYAPLICABLE, TODA GARANTÍA IMPLÍCITA, INCLUYENDO AQUELLAS DE COMERCIABILIDAD O IDONEIDAD DE USO PARA EL USO O PARA UN PROPÓSITO PARTICULAR, ESTÁ EXPRESAMENTE PROHIBIDA. ALGUNOS ESTADOS NO PERMITEN LAS LIMITACIONES ACERCA DE LA DURACIÓN DE UNA GARANTÍA TÁCITA, O LA EXCLUSIÓN O LIMITACIÓN DE DAÑOS INCIDENTALES O CONSECUENTES, POR LO QUE LA LIMITACIÓN E INCLUSIÓN ANTERIORES PUEDEN NO APLICAR A USTED.

AVISO TOTO no será responsable de fallas o daños ocasionados en este producto de plomería o componente del producto causados por cloraminas en el tratamiento del suministro de agua público o en los limpiadores en el recipiente del tanque que contengan cloro (hipoclorito de calcio). Nota: el uso de cloro en alta concentración o productos derivados del cloro puede dañar seriamente los accesorios. Este daño puede ocasionar fugas y daños graves en la propiedad. Para obtener más información, llámenos al (888) 295-8134.



## TABLE DES MATIÈRES

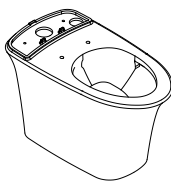
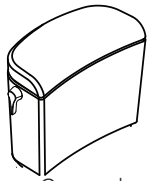
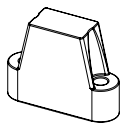
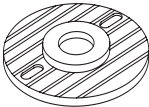



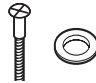

Merci d'Avoir Choisi TOTO! .....	19
Pièces Incluses .....	19
Outils Nécessaires .....	19
Avertissement.....	20
Avant l'installation.....	20
Procédure d'Installation .....	21-23
Instructions pour la vanne de remplissage du Réservoir de toilette .....	25
Garantie .....	26

## MERCI D'AVOIR CHOISI TOTO!

La mission de TOTO est d'offrir au monde entier un style de vie sain, hygiénique et plus confortable. Comme principe de base, nous concevons chaque produit avec un équilibre entre la forme et la fonction. Félicitations pour votre choix.

## PIÈCES INCLUSES

Assurez-vous que vous avez toutes ces pièces dans l'emballage:

				 Vis latérale et Couverture de la Bloc de Support (2 pièces de chaque)
Cuvette	Couverture, Réservoir	Bloc de Montage (2 pièces)	Bride	
				
Ancrage (4 pièces)	Ensemble de Boulons pour montage supéri- eure (pour le siège)	Vis et Rondelle pour l'Installation du Bloc de Support (4 pièces de chaque)	Vis latérale et Couverture de la Vis latérale pour le Bloc de Sup- port (2 pièces de chaque)	

(Absents sur la photo mais également inclus: Modèle de prise, joint Réservoir-Cuvette)

## OUTILS NÉCESSAIRES

- Clé pour conduite 12"
- Clé à molette 10"
- Niveau à Bulle d'Air
- Mètre Ruban
- Tournevis
- Couteau à Mastiquer
- Pincés
- Pour installation sur plancher de bois :
  - Foret de 3/32 po pour bride
  - Foret de 11/64 po pour bloc de montage
- Pour installation dans béton /tuile :
  - Foret de 9/32 po pour bride
  - Foret de 11/32 po pour bloc de montage

### MATÉRIAUX REQUIS (Pas inclus):

- Tuyau /connecteur d'alimentation flexible
- Vanne d'arrêt d'alimentation
- Bride de sol
- Boulons et écrous de montage (T) (2pc)
- Beigne / anneau de cire

## AVERTISSEMENT

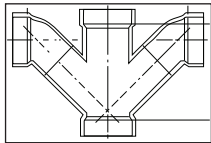
- Ne pas pousser avec force ni cogner les toilettes. Cela peut provoquer des blessures ou endommager le produit.
- Ne pas faire tomber d'objets solides dans les toilettes. Cela peut provoquer des dommages ou fuites.
- Ne pas nettoyer les toilettes avec des détergents abrasifs ou des solvants pouvant endommager la porcelaine vitreuse.
- Eviter l'introduction soudaine d'eau chaude dans des toilettes froide. Cela peut endommager les toilettes.
- L'eau froide dans le réservoir des toilettes peut condenser selon les conditions environnementales.
- Si une fracture se produit, cesser l'utilisation des toilettes. Le non respect de cela peut amener à des lésions sérieuses.

## AVANT L'INSTALLATION

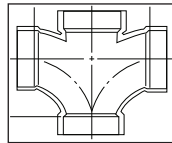
- Lisez attentivement ces instructions avant toute installation.
- Veuillez mettre ces instructions à la disposition des clients. Ces instructions contiennent des informations relatives à l'entretien et à la garantie.
- Si nécessaire, retirez l'ancienne toilette.

### IMPORTANT!

En raison de la performance de nos puissants systèmes de chasse d'eau Cyclone, G-Max, E-Max et Power Gravity, elles ne sont pas spécifiés pour les installations consécutives. La seule façon d'installer ces toilettes de manière consécutive est lorsque les connexions de drain de toilette comprennent un raccord en Y. Veuillez contacter votre constructeur ou l'entrepreneur avant cette installation.

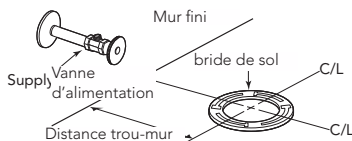
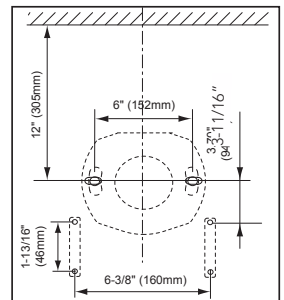


Combinaison double en Y / coude 1/8  
**OUI**



Double té sanitaire / crois sanitaire  
**NON**

1. La distance entre le mur fini et le centre du drain de plancher, « RI » doit être de 305 mm (12 po).
2. L'alimentation d'eau devrait être approximativement 20,3 à 25,4 cm (8 à 10 po) à la gauche (faisant face à la cuvette) de la ligne centrale de la bride de sol et approximativement 15,2 cm (6 po) au-dessus du plancher fini.
3. À l'aide du gabarit fourni, confirmer les dimensions d'installation de la bride et des blocs de montage.



## GUIDE DE DEPANNAGE

PROBLEME	CAUSE DU PROBLEME	SOLUTION
Le robinet du remplissage tourne en position on/off sans que le toilettes soient déchargées	Le joint d'étanchéité du robinet de la chasse d'eau est sale.	Inspecter et nettoyer le joint d'étanchéité du robinet de la chasse d'eau.
Robinet de remplissage fonctionnant en permanence	Joint d'étanchéité du robinet de remplissage sale	Arrêter l'arrivée d'eau. Ouvrir le capuchon du robinet de remplissage et nettoyer le joint d'étanchéité.
	Le joint d'étanchéité du robinet de la chasse d'eau est sale.	Inspecter et nettoyer le robinet de la chasse d'eau.
Chasse d'eau insuffisante	Chaîne(s) de soupape enchevêtrer	Démêlé la chaîne(s)
	Le robinet d'arrivée d'eau n'est pas complètement ouvert.	Ouvrir le robinet d'arrivée d'eau.
	La pression de l'arrivée d'eau est trop basse.	La pression minimum requise de l'arrivée est de 20 psis. Consultez votre plombier.
	Le siphon est bouché	Déboucher le siphon
	Le déchargement est bouché	Nettoyer les conduites de déchargement
Chasse d'eau défectueuse	Le robinet d'arrivée d'eau est fermé	Ouvrir le robinet d'arrivée d'eau

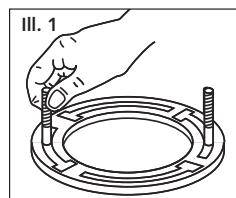
## PROCÉDURE D'INSTALLATION

- Placer le gabarit d'installation sur le plancher afin que la ligne de base du gabarit et la ligne centrale de la bride de sol s'alignent. Marquer les emplacement de vis pour les blocs de montage. Percer les trous aux emplacements marqués selon le type d'installation ci-dessous. Dans le cas d'une installation sur un plancher de tuile ou de béton, utiliser les ancres de plastique fournies.

L'emplacement étant correctement marqué, percer les trous pour les blocs de montage :

- 11/64 po pour installation sur plancher de bois
- 11/32 po pour installation sur béton / tuile

- Nettoyer tous les débris de la bride de sol, puis installer les boulons de montage dans la rainure de la bride, tête vers le bas avec la tige filetée du boulon dirigée vers le haut comme montré (III. 1). Glisser chaque boulon jusqu'au bout de la rainure.
- Tourner la bride à l'envers. Presser fermement un nouveau joint de cire dans la cavité circulaire autour de l'ouverture de la sortie. Tourner la bride à l'endroit et l'abaisser en position sur la bride de sol. L'unité étant correctement alignée, appuyez fermement pour fixer le joint de cire.



**AVERTISSEMENT : Ne pas déplacer la bride après que le joint de cire est fixé.**

## Procédure d'installation (suite)

4. Installer un écrou et une rondelle sur le boulon en T pour fixer la bride sur la bride de sol (voir III. 2). L'écrou devrait être serré 1/2 tour après le serrage à la main. **NE PAS UTILISER UNE FORCE EXCESSIVE.** Installer les blocs de montage à l'aide des vis, rondelles et ancrages fournis. S'assurer que les blocs sont fermement connectés au plancher. Utiliser le gabarit fourni pour un alignement correct.



Pour éviter toute fuite d'eau ou les odeurs, veuillez vous assurer que le joint de cire est correctement placé entre la cavité et la bride de plancher. Ne pas trop serrer les écrous afin d'éviter un dommage aux pièces de plastique.

5. Placer la cuvette sur la cavité (voir III. 3). Installer les vis latérales aux blocs de montage. Couvrir les têtes de vis avec les capuchons de vis fournis (voir III. 4).

**IMPORTANT :** Si les vis latérales ne s'engagent pas dans les blocs de montage, soit la cuvette de toilette n'est pas entièrement insérée dans la bride ou les blocs de montage ne sont pas installés correctement. Si la toilette n'est pas installée correctement, elle peut glisser de la bride et causer une fuite. Veuillez vous assurer que les deux côtés sont correctement ajustés et fixés. Faire attention de ne pas trop serrer les vis car cela pourrait endommager le produit.

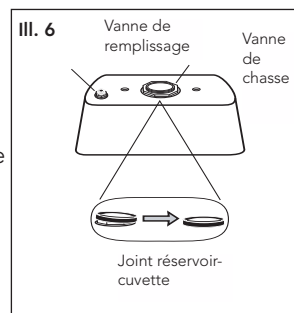
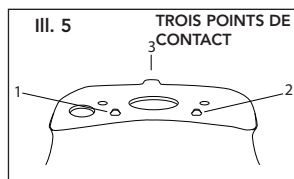
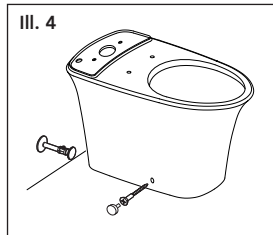
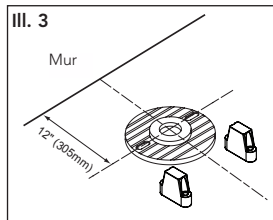
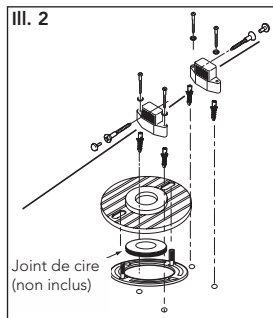


**REMARQUE :** Trois points de contact :

La cuvette de toilette comporte trois points de contact; ceux-ci feront contact avec le bas du réservoir de la toilette lorsque l'installation sera correctement effectuée. La position de ces points peut être identifiée sur la cuvette au point de réception du réservoir. Les trois points sont avant gauche (1), avant droit (2) et centre arrière (3). Rappelez-vous de ces trois points pendant l'installation du réservoir de la toilette (voir III. 5).

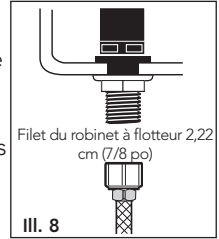
6. Placer le réservoir à l'envers sur du rembourrage. Vérifiez l'écrou de la petite vanne de remplissage et celui de la plus grande vanne de chasse pour une connexion sécurisée (voir III. 6). Essayer de serrer les écrous à mains nues. S'ils sont déserrés, serrer l'écrou fermement à la main et ajouter 1/4 de tour de plus pour l'écrou de la petite vanne de remplissage et 1/2 tour de plus pour l'écrou de la plus grande vanne de chasse.

Placer le joint réservoir-cuvette sur l'écrou de vanne de chasse. Tout en appuyant vers le bas, étendre le joint autour de l'écrou jusqu'à ce que le joint touche le fond du réservoir. Un léger espace entre le fond du réservoir et le joint est acceptable.

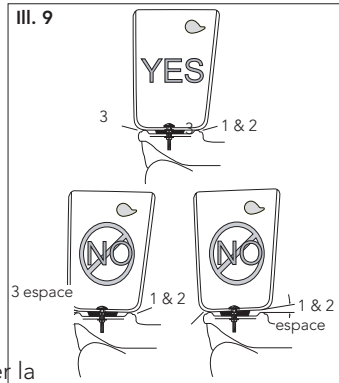


## Procédure d'installation (suite)

7. Installer et serrer le tuyau flexible d'alimentation en eau au bas de la vanne de remplissage. (voir Ill. 8).
8. Soulever le réservoir et guider soigneusement les boulons de laiton et le tuyau flexible d'alimentation en eau afin d'aligner le réservoir sur la cuvette. Fixer une rondelle de métal et un écrou à oreilles sur chaque boulon. Serrer les écrous à oreilles à la main et vérifier que le réservoir est au niveau (voir Ill. 9). Une fois nivelé, serrer les boulons équitablement jusqu'à ce que le réservoir ait TROIS POINTS DE CONTACT avec la cuvette.
9. Connecter la ligne d'alimentation en eau à la vanne d'alimentation (voir Ill. 10). Serrer cette connexion à la main.
10. Tirer la chasse d'eau pendant quelques secondes pour enlever tout débris qui pourrait entrer dans la nouvelle vanne de remplissage. (Pour les constructions de nouvelles maisons et/ou des additions, nettoyer la ligne d'alimentation en eau durant plus d'une minute pour aider à enlever tout résidu d'adhésif de PVC, de flux de soudage et/ou de scellant à tuyau qui ont été utilisés pour la nouvelle plomberie.)



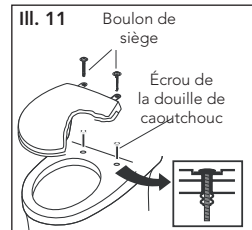
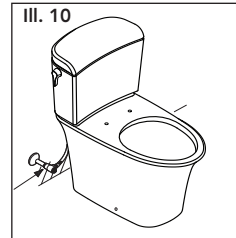
III. 8  
SERRER À LA MAIN SEULEMENT



**AVERTISSEMENT :** Éviter d'utiliser une clé pour serrer la connexion, car vous pourriez endommager les filets de plastique ou faire en sorte que la vanne de remplissage tourne dans le réservoir

**REMARQUE :** La pression d'alimentation en eau devrait être de 20 à 80 psi statique.

11. Aucun ajustement de la vanne de remplissage n'est nécessaire. L'eau s'arrêtera automatiquement au niveau approprié.
12. Installer le couvercle du réservoir de la toilette sur le dessus du réservoir de la toilette (voir Ill. 10).
13. Le siège de toilette est installé avec l'ensemble de boulon de montage supérieur (voir Ill. 11). Insérer l'écrou de la douille en caoutchouc dans les trous de montage du siège. Placer le siège sur la cuvette et tourner l'unité de la charnière en place tout en maintenant le siège sur la cuvette. Serrer le boulon à partir du haut avec un tournevis.



**REMARQUE :** Serrer le boulon du siège jusqu'à ce que la charnière soit solide.

Le siège et le couvercle ont un léger mouvement latéral, ce qui est normal. Cette liberté de mouvement permet au siège de SoftClose® sans se coller.

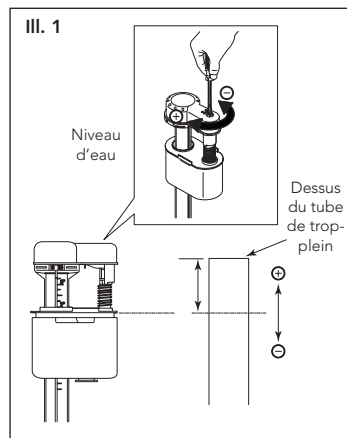
## INSTRUCTIONS POUR LA VANNE DE REMPLISSAGE DU RÉSERVOIR DE TOILETTE

1. Fermer l'alimentation en eau de la toilette. Ayez en main du papier essuie-tou en cas de déversement.
2. Tirer la chasse de la toilette et nettoyer l'eau restée dans le réservoir avec une éponge.
3. Retirer le tuyau flexible d'alimentation en eau de la vanne d'alimentation en eau sur le mur/plancher.
4. Dévisser les deux écrous des boulons sous le réservoir. Enlever avec soin le réservoir de la cuvette de la toilette.
5. Retirer le tube de remplissage de la vanne de remplissage. Retirer la vieille vanne de remplissage du réservoir.
6. Fixer l'écrou de montage sur la tige de la nouvelle vanne de remplissage et serrer l'écrou.  
REMARQUE : Ne pas trop serrer. S'assurer d'installer la vanne de remplissage dans une position qui n'interfère pas avec le fonctionnement du levier de déclenchement.
7. Soulever le réservoir et guider soigneusement les boulons de laiton et le tuyau flexible d'alimentation en eau afin d'aligner le réservoir sur la cuvette. Fixer une rondelle de métal et un écrou à oreilles sur chaque boulon.
8. Connecter le tuyau flexible d'alimentation en eau à la vanne d'alimentation sur le mur ou le plancher.  
REMARQUE : Ne pas trop serrer. Ce sont des pièces de plastique. Ne jamais utiliser de pâte lubrifiante sur les connexions d'alimentation en eau.
9. Fixer le tube de remplissage à la soupape de la vanne de remplissage et attacher l'autre extrémité du tube de remplissage au tuyau de trop-plein.
10. Ouvrir l'alimentation en eau et vérifier s'il y a des fuites à l'extérieur du réservoir.  
REMARQUE : Pendant que l'eau remplit le réservoir, l'eau est aussi dirigée vers le tuyau de trop-plein par le tube de remplissage. Ce flux additionnel d'eau est essentiel pour remplir la cuvette de la toilette. Lorsque l'eau cesse de remplir le réservoir, quelques gouttes d'eau résiduelles peuvent s'écouler de la vanne de remplissage. Ceci est NORMAL car ces gouttes diminueront.

FRANÇAIS

## AJUSTEMENT DU NIVEAU D'EAU

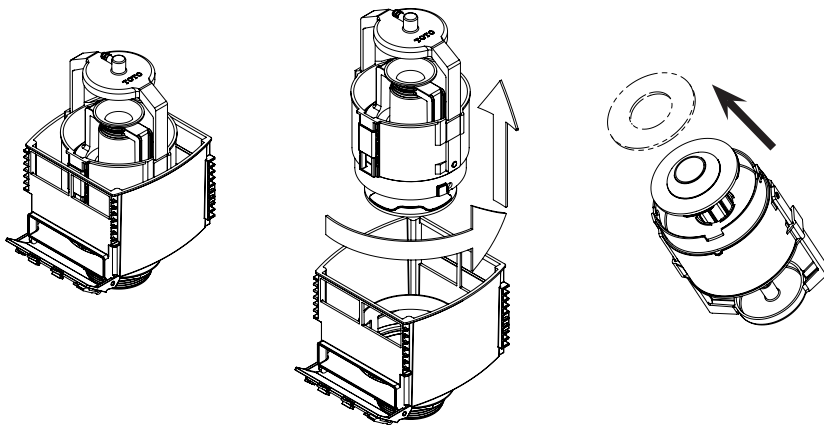
Se référer au réglage de niveau d'eau (WL) indiqué sur la paroi interne du réservoir. Laisser l'eau remplir le réservoir. Tourner la vis d'ajustement dans le sens des aiguilles d'une montre dans la direction (+) pour augmenter la hauteur du niveau d'eau (voir Illustration 1). Tourner la vis d'ajustement dans le sens contraire des aiguilles d'une montre dans la direction (-) pour diminuer la hauteur du niveau d'eau. Tirer la chasse d'eau pour vérifier le niveau d'eau correct. Ajuster si nécessaire.





## INSTRUCTIONS D'ENTRETIEN DU ROBINET DE LA CHASSE D'EAU

1. Arrêter l'arrivée d'eau et décharger les toilettes.
2. Enlever le couvercle du réservoir et le placer retourné sur une surface propre.
3. Écartez le joint d'étanchéité en caoutchouc pour retirer la soupape de chasse.
4. Rincez à l'eau courante pour nettoyer.
5. Tourner la moitié supérieure du robinet dans le sens inverse des aiguilles d'une montre et retirer le robinet de la chasse d'eau.
6. Enlever le joint d'étanchéité noir et le rincer sous l'eau courante pour le nettoyer.
7. Remettre le joint sur le robinet de la chasse d'eau. Veillez à le tourner et à vérifier qu'il est solidement fixé à la base.
8. Réinstaller le robinet de la chasse d'eau sur la base.
9. Avec attention, réinstaller le couvercle du réservoir sur le réservoir.
10. Décharger les toilettes plusieurs fois pour vérifier le bon fonctionnement
11. Vérifier les fuites.



## ENTRETIEN ET NETTOYAGE

### AVERTISSEMENT!

NE PAS UTILISER DE NETTOYANT DE CUVETTE DANS LE RÉSERVOIR.

L'utilisation de produits à concentration élevée de chlore ou de produits à base de chlore peut sérieusement endommager les raccords dans le réservoir. Ce dommage peut causer des fuites ou un dommage à la propriété. TOTO® ne peut être tenu responsable d'une défaillance des raccords du réservoir ou des dommages causés par l'utilisation de nettoyeurs de cuvette dans le réservoir.

## GARANTIE

1. TOTO® garantit sa vitreous china produits contre tout défaut de matériau et de fabrication pendant l'utilisation normale, lorsqu'elle est correctement installée et maintenue pour une période de une (1) ans à dater de l'achat. La présente garantie limitée ne peut être prolongée que pour le seul ACHETEUR D'ORIGINE de l'appareil et n'est pas transférable à un tiers, y compris mais pas limité à tout acheteur ou propriétaire subséquent du produit. Cette garantie n'est applicable qu'aux produits achetés et installés en Amérique du Nord, Centrale, Latine, et du Sud.
2. Les obligations de TOTO selon les termes de cette garantie sont limitées à la réparation, remplacement ou autre ajustement en conséquence, au choix de TOTO, des produits ou des pièces défectueuses en service normal, pourvu qu'un tel produit ait été installé, utilisé et entretenu conformément aux instructions. TOTO se réserve le droit d'effectuer ce genre de vérifications en cas de nécessité afin de déterminer la cause du défaut. TOTO ne facturera pas les interventions ou les pièces relatives à la réparation et au remplacement sous garantie. TOTO n'est pas responsable du coût de désinstallation, de renvoi et/ou de réinstallation de l'appareil.
3. La garantie ne s'applique pas dans les cas suivants:
  - a) Dommage ou perte suite à une cause naturelle telle que incendie, tremblement de terre, inondation, tonnerre, orage etc.
  - b) Dommage ou perte causés par tout accident, utilisation non adaptée, un abus, une négligence ou un mauvais traitement, nettoyage ou entretien de l'appareil.
  - c) Dommage ou perte causé par des sédiments ou tout autre corps étranger contenus dans un réseau d'alimentation en eau.
  - d) Dommage ou perte suite à une mauvaise installation ou à l'installation de l'appareil dans un environnement rude et/ou dangereux ou une mauvaise désinstallation, réparation ou m.
  - e) Dommage ou perte suite à des surtensions, foudres ou tous autres actes qui ne sont pas la responsabilité de TOTO, ou actes stipulés non supportables par le produit.
  - f) Dommage ou perte résultant d'une usure normale et habituelle, telle que la diminution du lustre, grattage ou décoloration avec le temps, habitude de nettoyage, l'eau, ou des conditions atmosphériques.
4. Pour que la garantie limitée soit valable, la preuve d'achat est exigée. TOTO vous encourage à enregistrer votre produit après l'achat pour créer un record du propriété, cela peut être fait au site <http://www.totousa.com>. L'enregistrement du produit est complètement volontaire et à défaut de l'enregistrement ne va pas limiter votre droit au garantie limitée.
5. CETTE GARANTIE DONNE DES DROITS SPÉCIFIQUES. IL EST POSSIBLE QUE L'ACHETEUR AIT D'AUTRES DROITS QUI VARIENT DUN ÉTAT A UN AUTRE OU D'UNE PROVINCE À L'AUTRE.
6. Pour obtenir une réparation selon les termes de cette garantie, l'acheteur doit livrer à un centre de réparation de TOTO port payé avec preuve d'achat (reçu de caisse original), et une lettre expliquant le problème, ou contacter un distributeur de TOTO ou un entrepreneur de réparation du produit ou écrire directement à TOTO U.S.A., INC., Southern Road, Morrow, Géorgie 30260, (678) 466-1300 ou appelé (888) 295-8134, si en dehors de L'Etat Unis. Si, à cause de la taille du produit ou de la nature du défaut, il n'est pas possible de renvoyer le produit à TOTO, la réception par TOTO d'un avis écrit du défaut avec preuve d'achat (reçu de caisse original) constitue livraison. Dans un tel cas, TOTO peut choisir de réparer le produit chez l'acheteur ou de payer le transport du produit à un centre de réparation.

CETTE GARANTIE ÉCRITE EST LA SEULE GARANTIE FAITE PAR TOTO. LA RÉPARATION, LE REMPLACEMENT OU TOUT AUTRE AJUSTEMENT APPROPRIÉ SELON LES TERMES DE CETTE GARANTIE EST LE SEUL RECOURS DE L'ACHETEUR INITIAL. TOTO N'EST PAS RESPONSABLE DE LA PERTE DU PRODUIT OU DE TOUT AUTRE DOMMAGE INDIRECT, SPÉCIAL OU SECONDAIRE OU DES DÉPENSES ENCOURUES PAR L'ACHETEUR INITIAL NI DE LA MAIN-D'ŒUVRE OU AUTRES FRAIS ASSOCIÉS À L'INSTALLATION OU LA MANIPULATION, OU LES FRAIS DE RÉPARATION PAR DES TIERS, NI POUR TOUS AUTRES FRAIS PAS SPÉCIFIQUEMENT MENTIONNÉS. EN AUCUN CAS, LA RESPONSABILITÉ DE TOTO NE PEUT DÉPASSER LE PRIX D'ACHAT DU PRODUIT. SAUF QUAND INTERDITE PAR UNE LOI APPLICABLE, TOUTE GARANTIE SOUS-ENTENDUE, Y COMPRIS CELLE DE VENDABILITÉ OU D'APPLICATION POUR UN USAGE PARTICULIER, EST EXPRESSÉMENT REJETÉ. CERTAINES PAYS NE PERMETTENT PAS LA LIMITATION DE LA LONGUEUR D'UNE GARANTIE SOUS-ENTENDUE, OU L'EXCLUSION OU LA LIMITATION DES DOMMAGES INDIRECTS OU SECONDAIRES, IL EST DONC POSSIBLE QUE CETTE LIMITATION ET EXCLUSION NE S'APPLIQUE PAS À VOTRE CAS.

ATTENTION ! TOTO décline toute responsabilité quant aux panes ou aux dommages causés sur ce produit de plomberie ou composant du produit par la chloramine contenue dans le traitement de l'alimentation en eau publique ou dans les produits d'entretien pour réservoirs des toilettes contenant du chlore (hypochlorite de calcium). Remarque : l'utilisation d'une forte concentration de chlore ou de produits à base de chlore risque d'endommager sérieusement la tuyauterie. Ces dommages peuvent provoquer des fuites et des dégâts des eaux. Pour plus d'informations, contactez-nous au (888) 295-8134.



# TOTO®

TOTO® U.S.A., Inc. 1155 Southern Road,  
Morrow, Georgia 30260  
Tel: 888-295-8134 Fax: 800-699-4889  
[www.totousa.com](http://www.totousa.com)

0GU070  
Rev Date:12/11



#### Warranty Registration and Inquiry

For product warranty registration, TOTO U.S.A. Inc. recommends online warranty registration. Please visit our web site <http://www.totousa.com>. If you have questions regarding warranty policy or coverage, please contact TOTO U.S.A. Inc., Customer Service Department, 1155 Southern Road, Morrow, GA 30260 (888) 295-8134 or (678) 466-1300 when calling from outside of U.S.A.