



Features

- Available in 28 finishes including 13 PVD finishes
- All brass construction
- Tub filler maximum flow rate: 15 gpm (58.6 L/min) at 60 psi
- Handshower flow rate: 2.0 gpm (7.6 L/min) or 1.8 gpm (6.8 L/min)
- 1/4 turn ceramic disc cartridges

Codes/Standards Applicable

Product meets or exceeds the following:

- ASME A112.18.1/CSA B125.1
- CEC (1.8 gpm) / DOE (2.0 & 1.8 gpm)
- Commonwealth of MA
- EPA WaterSense handshower (2.0 gpm)
- ADA compliant (with lever handles)
- Local codes may require installation of an upstream tempering valve

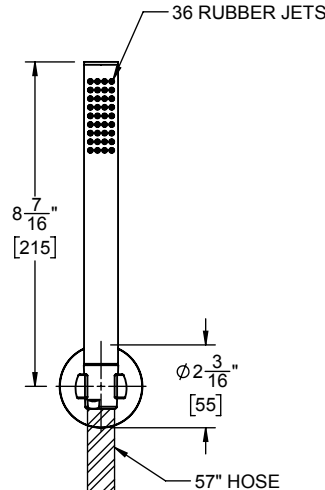
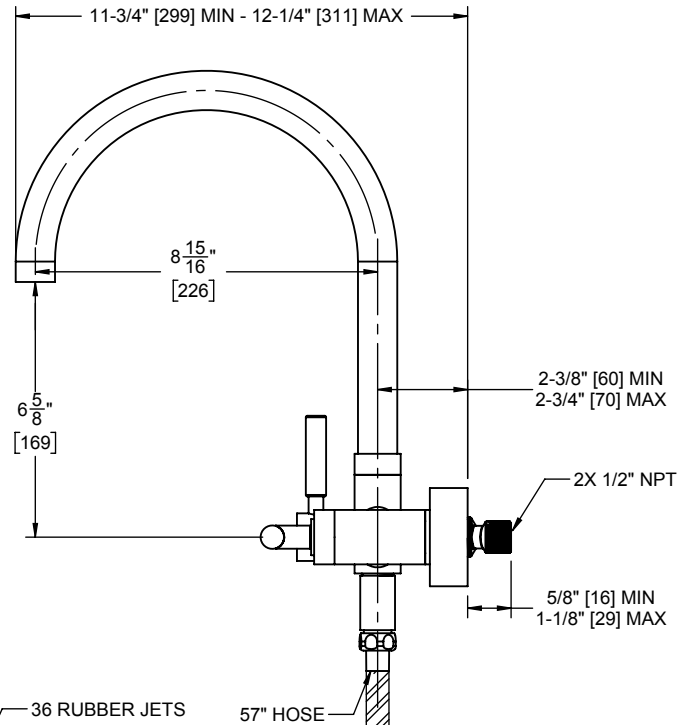
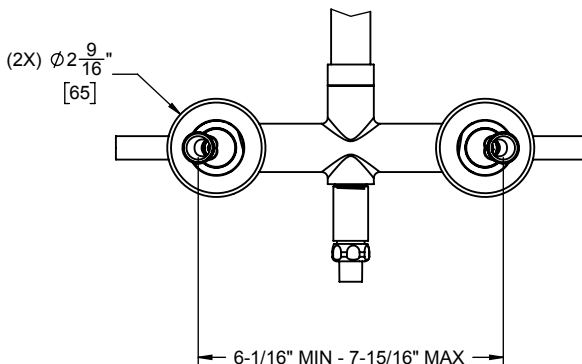
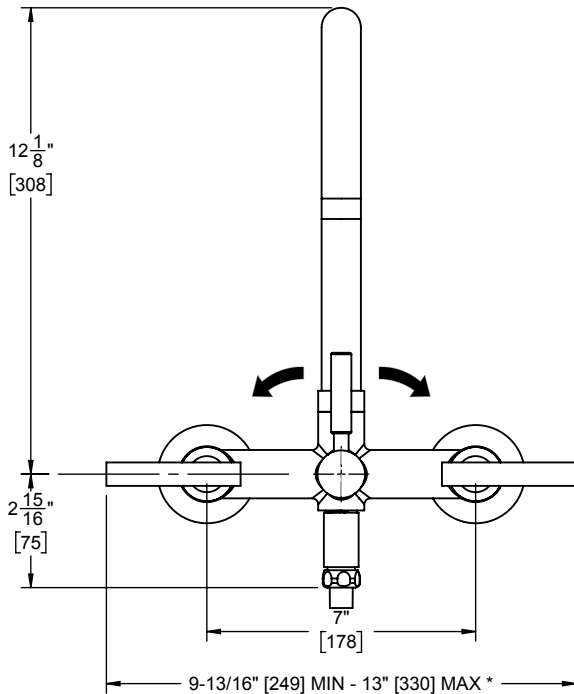
1106-XX.20
1106-XX.18



1106-65 SHOWN



XX = DENOTES HANDLE SERIES



THROUGH-HOLE SPECIFICATIONS		
MIN	RECOMMENDED	MAX
Ø 1-1/4" [32]	Ø 1-3/4" [45]	Ø 2" [51]

- (1x) PLASTIC #8-10 FINNED ANCHOR
- (1x) #10 x 2 STAINLESS STEEL SCREW

ALL DIMENSIONS SHOWN TO NEAREST 1/16"

* = DIMENSIONS VARIES BASED ON HANDLE SERIES
SPECIFICATION SUBJECT TO CHANGE WITHOUT NOTICE