

SHOWER
3-3/4" Octagonal Showerhead
with Shower Arm
G-8396

GRAFF®



Information

- Octagon shape with 40 spray openings
- Metal ball-joint allows for easy showerhead angle adjustment
- Includes arm and flange
- Showerhead flow rate ≤ 1.8 max gpm
- CALGreen

G-8396

Topaz Collection

3-3/4" Octagonal Showerhead with Shower Arm

GRAFF®



Product Features

- 5" shower arm and flange
- Octagon shape with 40 spray openings
- Metal ball-joint allows for easy showerhead angle adjustment
- Flange design complements M-Series traditional trim plates
- Showerhead flow rate ≤ 1.8 max gpm

Available Finishes

- Polished Chrome
G-8396-PC
- Polished Nickel
G-8396-PN
- Olive Bronze
G-8396-OB
- Steelnox
G-8396-SN
- Vintage Brushed Brass*
G-8396-VBB*
- Gold*
G-8396-AU*
- Brushed Gold*
G-8396-BAU*

* Special order finish- call for availability

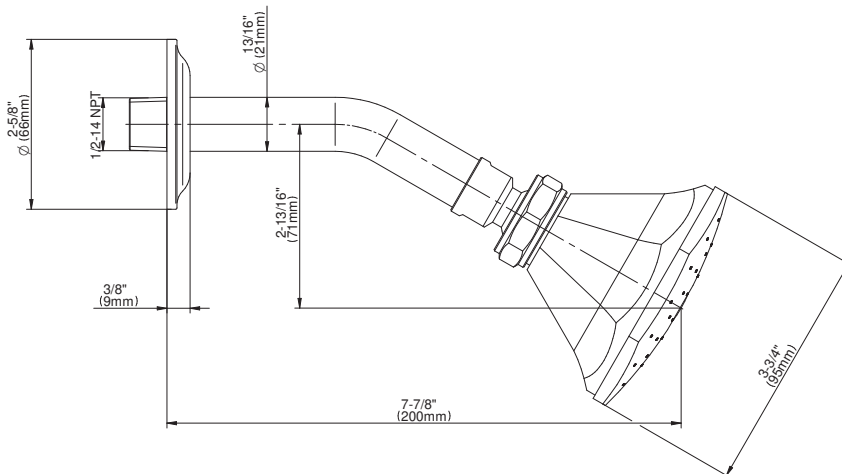
Code Compliance

- CALGreen

Warranty

- Limited lifetime warranty

For complete warranty information go to <https://www.graff-faucets.com/en/info/faqs>



The measurements shown are for reference only. Products and specifications shown are subject to change without notice. Revised 1/2019

www.graff-designs.com | phone: 800-954-4723

SHOWER
3-3/4" Hexagonal Showerhead
G-8445

GRAFF®



Information

- Octagon shape, 40 spray openings
- Metal ball-joint allows for showerhead angle adjustment
- Matches Topaz Series
- Showerhead flow rate ≤ 1.8 max gpm
- CALGreen

Finishes



24K Gold



24K Brushed
Gold



Olive Bronze



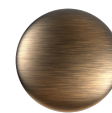
Polished
Chrome



Polished
Nickel



Steelnox®
(Satin Nickel)



Vintage
Brushed Brass

G-8445

Topaz Collection

3-3/4" Octagonal Showerhead

GRAFF[®]
CUTTING EDGE DESIGN



Product Features

- Octagon shape, 40 spray openings
- Metal ball-joint allows for showerhead angle adjustment
- Matches Topaz Collection
- Showerhead flow rate ≤ 1.8 max gpm

Available Finishes

- Polished Chrome
G-8445-PC
- Polished Nickel
G-8445-BNi
- Steelnix
G-8445-SN
- Olive Brass
G-8445-OB
- Gold*
G-8445-AU*
- Brushed Gold*
G-8445-BAU*

* Special order finish- call for availability

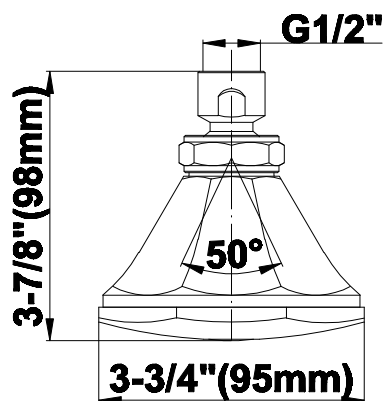
Code Compliance

- CALGreen

Warranty

- Limited lifetime warranty

For complete warranty information go to www.graff-designs.com/en-nam/warranty



The measurements shown are for reference only. Products and specifications shown are subject to change without notice. Revised 12/2017

www.graff-designs.com | phone: 800-954-4723

SHOWER
Transitional 5" Shower Arm
G-8518

GRAFF®



Information

- Includes arm and flange
- 1/2" NPT male thread inlet

Finishes



24K Gold



24K Brushed
Gold



Olive Bronze



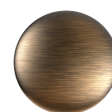
Polished
Chrome



Polished
Nickel



Steelnox®
(Satin Nickel)



Vintage
Brushed Brass

G-8518

Camden Series

