

SHOWER
5" Elegant Showerhead with
Shower Arm
G-8391

GRAFF®



Information

- 5" showerhead with 40 spray openings
- Metal ball-joint allows for easy showerhead angle adjustment
- Includes arm and flange
- Showerhead flow rate ≤ 1.8 max gpm
- CALGreen

SHOWER
5" Elegant Showerhead
G-8440

GRAFF®



Information

- Original, unique shape
- 40 spray openings
- Metal ball-joint allows for showerhead angle adjustment
- Showerhead flow rate ≤ 1.8 max gpm
- CALGreen

Finishes

							
24K Gold	24K Brushed Gold	Brushed Brass PVD	Architectural Black	Brushed Nickel	Brushed Onyx PVD	Brushed OR'osa PVD	Gunmetal
							
Gunmetal Distressed	Matte Black	Olive Bronze	Onyx PVD	Polished Brass PVD	Polished Chrome	Polished Nickel	OR'osa® PVD
							
Unfinished Brass	Unfinished Brushed Brass	Vintage Brushed Brass	Architectural White				

G-8440

5" Elegant Showerhead



Product Features

- Original, unique shape, 40 spray openings
- Metal ball-joint allows for showerhead angle adjustment
- Showerhead flow rate ≤ 1.8 max gpm

Code Compliance

- CALGreen

Warranty

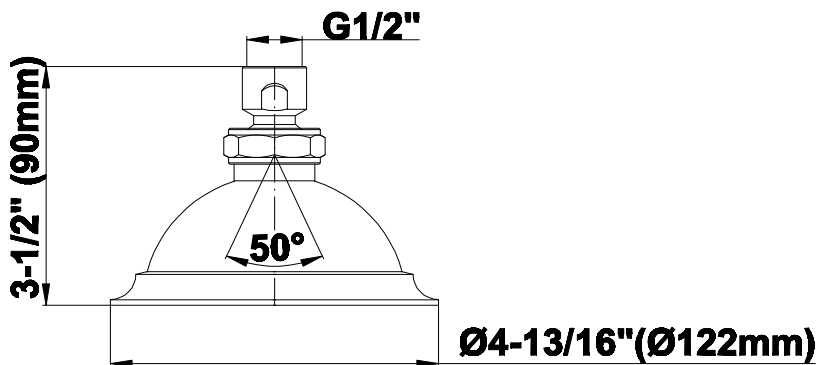
- Limited lifetime warranty

For complete warranty information go to www.graff-designs.com/en-nam/warranty

Available Finishes

- Polished Chrome
G-8440-PC
- Polished Nickel
G-8440-PN
- Brushed Nickel
G-8440-BNi
- Unfinished Brushed Brass*
G-8440-UBB*
- Unfinished Brass*
G-8440-UB*
- Matte Black*
G-8440-MBK*
- Architectural Black*
G-8440-BK*
- Architectural White*
G-8440-WT*
- Steelnix
G-8440-SN
- Olive Brass
G-8440-OB
- Gunmetal*
G-8440-GM*
- Vintage Brushed Brass*
G-8440-VBB*
- OR'osa PVD*
G-8440-RG*
- Onyx PVD*
G-8440-OX*
- Polished Brass PVD*
G-8440-PB*
- Brushed Brass PVD*
G-8440-BB*
- Brushed Gold*
G-8440-BAU*
- Gold*
G-8440-AU*
- Gunmetal Distressed*
G-8440-GMD*

* Special order finish- call for availability



SHOWER
 Transitional 5" Shower Arm
G-8518

GRAFF®



Information

- Includes arm and flange
- 1/2" NPT male thread inlet

Finishes



G-8518

Camden Series

