

Waza® Noir™ Cast Iron Vessel Lavatory

FEATURES

- 18-1/8" diameter
- Vessel design for easy installation
- Without overflow
- Cast iron vessel lavatory complete with mounting hardware and installation template

COLORS/FINISHES

- #83 Matte

CODES/STANDARDS

- Meets and exceeds ASME A112.19.1/CSA B45.2
- Certifications: IAPMO(cUPC), State of Massachusetts, City of Los Angeles, and others
- ADA compliant
- Code compliance: UPC, IPC, NSPC, NPC Canada, and others



Shown here with faucet Waza® Noir™ TL382SDL#TB

PRODUCT SPECIFICATION

The lavatory shall be made of cast-iron. Lavatory shall be 18-1/8" in diameter. Product shall be without overflow and lavatory shall include mounting assembly. Lavatory shall be TOTO Model FLT141_____.

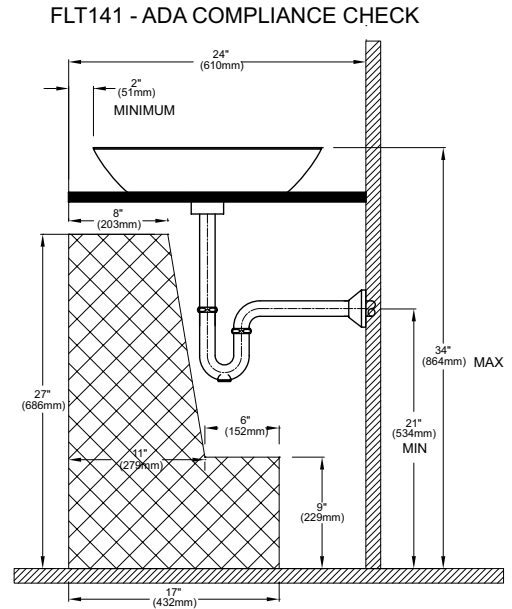
FLT141

Waza® Noir™ Cast Iron Vessel Lavatory

SPECIFICATIONS

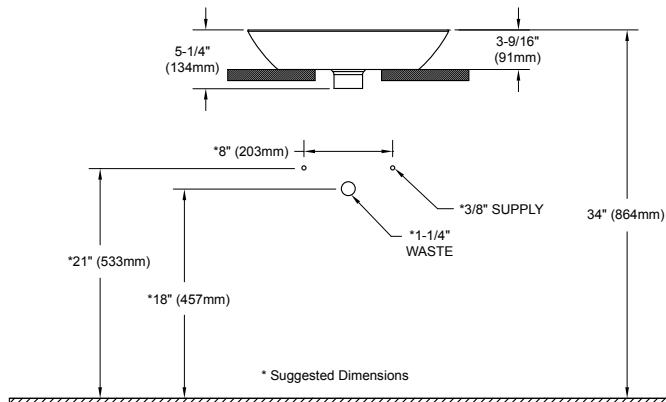
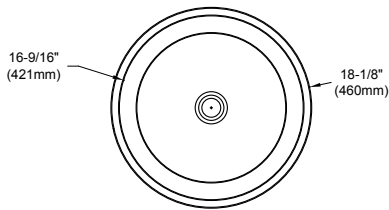
- Waste 1-1/4" O.D.
- Size 18-1/8" diameter
- Basin 16-9/16" diameter
- Warranty One Year Limited Warranty
- Material Cast Iron
- Overflow None
- Shipping Weight 56.4 lbs.
- Shipping Dimensions 23"W x 23"D x 7"H

INSTALLATION NOTES



CARE AND CLEANING INSTRUCTIONS

Rinse the basin out thoroughly after each use. Clean with a soft wet cloth and mild soap only. Do NOT use abrasive cleaning materials, or leave staining materials in contact with the surface, or use sharp, or metallic objects, as this will scratch, stain, or ruin the surface.



TOTO®

These dimensions and specifications are subject to change without notice