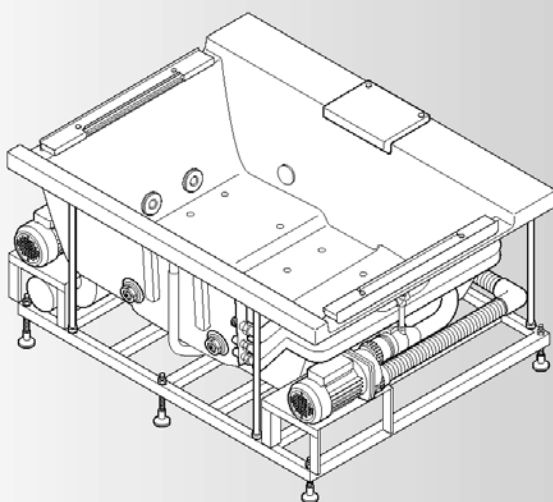


# TOTO®

## NEOREST SE AIR BATH

### NEOREST



## Installation Guide



Cautions and warnings.....	2
Before installing the Neorest.....	5
Included parts.....	8
Required tools.....	10
Specifications.....	11
Dimension Drawings.....	13
Installation Procedure.....	15
Meaning of the indications.....	15
Building a base for the bathtub....	16
Installing the function module.....	20
Testing the operation.....	24
Finishing.....	34
Installing the controller stand.....	37
Cleaning the filter.....	41
Error Codes.....	44

### To installation contractors:



If possible, please explain the functions of the NEOREST and how to use them to the customer. In new buildings or other places where there will be a significant time until the customer uses the product, please shut off the power.




# Cautions and Warnings



Before installing your NEOREST, be sure to read the following installation instructions. Install the product only as described in this guide. Follow all safety precautions and warnings.



 <b>WARNING</b>	When this appears next to a topic, this indicates that misoperation could result in death or serious injury.	 <b>CAUTION</b>	When this appears next to a topic, this indicates that misoperation may result in injury or physical damage.
---	--	---	--

Symbol example


	This symbol indicates something that is prohibited.		This symbol indicates something that must be done.
---	---	---	--

 <b>WARNING</b>	
 Prohibited	<b>Do not install the tub with the rim surface as its sole support.</b> <ul style="list-style-type: none"> <li>• Doing so could cause damage.</li> </ul>
	<b>Do not stand on the bathtub while working.</b> <ul style="list-style-type: none"> <li>• Doing so could cause one to slip and fall or could otherwise damage the product.</li> </ul>
	<b>Only assemble the parts delivered or indicated. Do not change these parts</b> <ul style="list-style-type: none"> <li>• In particular, do not change the dimensions.</li> </ul>
	<b>Do not install the function module in a humid location such as a bathroom or a place prone to flooding.</b> <ul style="list-style-type: none"> <li>• Otherwise product problems or electric shock could result.</li> </ul>
 Required	<b>Install securely, in accordance with the Installation Guide.</b> <ul style="list-style-type: none"> <li>• Improper installation can lead to electric shocks or fire. Additionally, it could cause water leaks that damage or ruin household property.</li> </ul>
	<b>Install the drainage pipes securely, in accordance with the procedure.</b> <ul style="list-style-type: none"> <li>• Improper installation could lead to leaks that damage or ruin household property.</li> </ul>
	<b>After unpacking, immediately dispose of unwanted packaging materials.</b> <ul style="list-style-type: none"> <li>• There is a risk of injury from the wooden frame, nails, cardboard boxes, vinyl bags or sealing straps. Additionally, ensure that children do not play with the packaging materials as this could lead to suffocation or other accidents.</li> </ul>
	<b>All the operations related to the electrical system must be implemented by a certified electrician.</b> <ul style="list-style-type: none"> <li>• Improper operation could result in physical damage or material damage.</li> </ul>
	<b>All electrical equipment connected to the bathtub must be fitted with a ground fault circuit interrupter (GFCI).</b>
	<b>The bathtub must be connected to the drinking water supply.</b>
	<b>The earth (ground) wire must be connected without fail.</b>
	<b>Perform a potential equalization, and connect the plug to the bathtub frame.</b> <ul style="list-style-type: none"> <li>• Improper ground connection could allow ground loops.</li> </ul>
<b>The voltage used must be the specified AC voltage.</b> <ul style="list-style-type: none"> <li>• Use of different voltage could cause damage to the equipment, malfunction or fire.</li> </ul>	

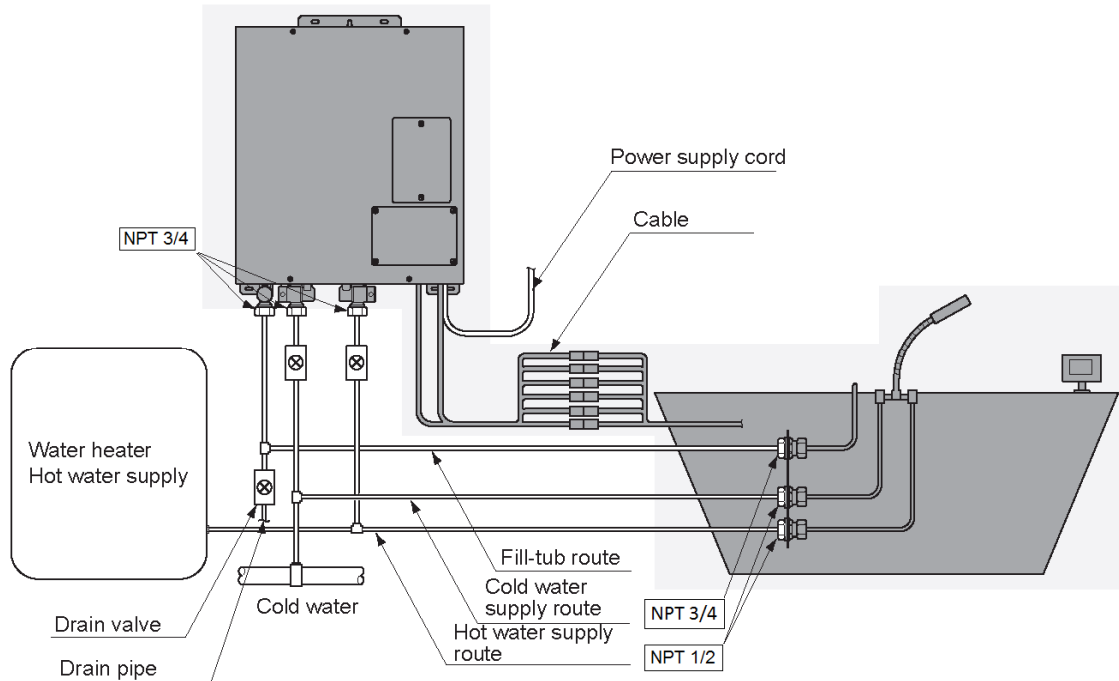
 <b>WARNING</b>	
 Required	<p><b>After the installation, test the ground fault circuit interrupter (GFCI) protecting this appliance and periodically check it in accordance with the manufacturer's instructions.</b></p> <ul style="list-style-type: none"> <li>• An improperly functioning GFCI could lead to electric shock or fire.</li> </ul>
	<p><b>Be sure that the equipment is installed in a stable place with sufficient load-bearing strength, as set forth in the Installation Guide.</b></p> <ul style="list-style-type: none"> <li>• Improper installation could cause the equipment to fall or topple over, causing injury.</li> </ul>
	<p><b>When installing the function module using a metal lath or wire lath support, be certain not to connect the function module and support electrically.</b></p> <ul style="list-style-type: none"> <li>• Doing so could lead to electric shock, overheating or fire.</li> </ul>
	<p><b>When connecting the wiring, be certain that the power supply is not turned ON.</b></p> <ul style="list-style-type: none"> <li>• Doing so could lead to electric shock.</li> </ul>
	<p><b>The electronic components must be installed out of the reach of users in the bathroom. (However, this rule is not applied to ultralow voltage supply components at 12 V or less, such as remote controllers.)</b></p> <ul style="list-style-type: none"> <li>• Otherwise, an electric shock could result.</li> <li>• The function modules must not be installed in the bathroom.</li> </ul>
	<p><b>The electronic components must be fixed so that they will not fall into the bathtub.</b></p> <ul style="list-style-type: none"> <li>• Otherwise, an electric shock could result.</li> <li>• The function modules must not be installed in the bathroom.</li> </ul>
	<p><b>Ensure that you have an ergonomic working position during transport and assembly.</b></p> <ul style="list-style-type: none"> <li>• Take care at every stage that your move is safe. Ensure that you have assistance to avoid risk of accident or injury.</li> </ul>
	<p><b>Observe the current local prevention of accidents and building regulations as well as sanitary and environmental protection rules during installation.</b></p>

 <b>CAUTION</b>	
 Prohibited	<p><b>Do not place anything heavy on the tub or anything in the tub for standing on.</b></p> <ul style="list-style-type: none"> <li>• Doing so could cause damage.</li> </ul>
	<p><b>Do not drop any heavy or hard objects in the bathtub.</b></p> <ul style="list-style-type: none"> <li>• Injury may result from cracks in the bathtub or leaking water may contaminate or ruin household property.</li> </ul>
	<p><b>Keep sources of heat at a distance.</b>  <b>Do not smoke.</b></p> <ul style="list-style-type: none"> <li>• Otherwise there is a risk of damage.</li> </ul>
	<p><b>Do not install the bathtub outdoors or in a location where it will be constantly exposed to sunlight (for example, in a sunroom).</b></p> <ul style="list-style-type: none"> <li>• Otherwise there is a risk of frost damage or discoloration.</li> </ul>
	<p><b>Do not bend the hoses or cables.</b></p>
	<p><b>When transporting the bathtub, do not carry by the hoses or plumbing or strike it with anything hard.</b></p>

 **CAUTION**

 Required	<b>On opening the box, check that the bathtub and parts supplied are not damaged. Do not use any parts that are damaged.</b> <ul style="list-style-type: none"><li>• Replace any damaged parts.</li></ul>
	<b>If installing the product in a location where damage from water leaking from the function module is anticipated, be sure to waterproof the floor.</b> <ul style="list-style-type: none"><li>• If there were to be a leak, it could damage the floor or floors below.</li></ul>
	<b>Do not remove the protective sheet on the bathtub until installation is complete.</b>
	<b>Ensure the bathtub can be used and maintained adequately.</b> <ul style="list-style-type: none"><li>• Consider water splashing from blocked shoulder warmers.</li></ul>
	<b>Check for leaks after installation is complete.</b> <ul style="list-style-type: none"><li>• Shut off the water supply if you discover any leaks and immediately repair them.</li></ul>

# Before installing the NEOREST



- **The function module must not be installed in the bathroom.**

In addition, the function module is not waterproof and should not be installed outdoors. Be sure to install the function module indoors other than in the bathroom.

- **The function module requires a hot water supply temperature of at least 140°F (60°C). (No more than 158°F (70°C))**

If the supply temperature of the hot water is too low, it won't be possible to fill the tub to the temperature setting of the controller. The function module mixes the supply of hot and cold water and runs hot water out of the fill-tub outlet, so the temperature of the water flowing out will be lower than the temperature of the water being supplied to the function module.

- **The pressure of the hot and cold water supplied to the function module must be at least 29 psi (0.20 MPa) (when flowing). (No more than 108.75 psi (0.75 MPa))**

The difference of water pressure between cold water and hot water should be such that the cold water is kept higher and within 14.5 psi (0.10 MPa). If the pressure is low, the water won't flow out like a waterfall. Additionally, it will take longer for the tub to fill with hot water.

- **Supply Equipment Specifications**

Supply Pressure: 29 to 108.75 psi (0.20 to 0.75 MPa)

Supply Temperature: 140 to 158°F (60 to 70°C)

Hot Water usage:

Max. temperature 113°F (60°C)

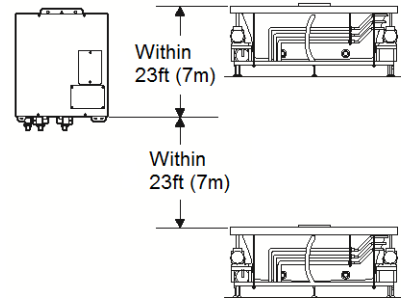
Max. flow rate 9.2 gpm (35 L/min)

Max. capacity approx. 144 gallons (545 L)

- The diameter of the function module connector is NPT 3/4. Please do not make the diameter of the plumbing smaller than the diameter of the connector to the function module. The use of equipment below full capacity could lead to problems for the customer.
- Use a sealant on the taper thread joint.
- It is necessary to have space between the end of the drain hose and the drain. If not the water could backflow.
- **Power supply connection** The power inlet of the function module must be connected to the permanently installed power outlet (cable).

## Function module installation locations

- Install the function module indoors, in a room other than the bathroom.
- Please leave a space of at least 24 inches (600 mm) in front of the equipment so that inspections or repairs can be made. Also, please do not locate it on a second-story wall or other place without access.
- Please take the following into consideration when deciding where to place the function module. The length of the cables to the equipment (pumps and the like) that will be installed with the bathtub are 49 ft (15m).
- If the tub installation is downstairs the function module should be within 23 ft (7 m) of the top of the tub.
- If the tub installation is upstairs the function module should be within 23 ft (7 m) of the top of the tub. In this case the supplied water pressure should be 29 psi (0.20 MPa) above head pressure.
- Be sure to install it on a vertical wall.
- The plumbing that is connected to the equipment should be installed so that there will be no safety problems with respect to earthquakes, other vibration or physical impact and caulking material should be used to seal the points where the hot and cold water and the power lines pass through the walls.



## Precautions when plumbing

- If the plumbing materials are specified by the relevant local and national plumbing authorities, comply with those specifications.
- Be sure to flush filings, sand and debris from inside the pipes using water before connecting the function module.
- Use a union junction or similar means on the connection port and do not use excessive force.
- The diameter of the pipe is not to be less than the diameter of the function module connector (NPT 3/4).
- When the water pressure is high, either install a pressure-reducing valve or a device to prevent "water hammer". (Recommended water pressure: 29 to 108.75 psi (0.20 to 0.75 MPa) However, limits set by local and national plumbing authorities should not be exceeded.)
- Keep the number of unions as small as possible and do not use complicated plumbing. Additionally, do not plumb in such a way that air can become trapped in the pipes.

### Hot and cold water supply plumbing

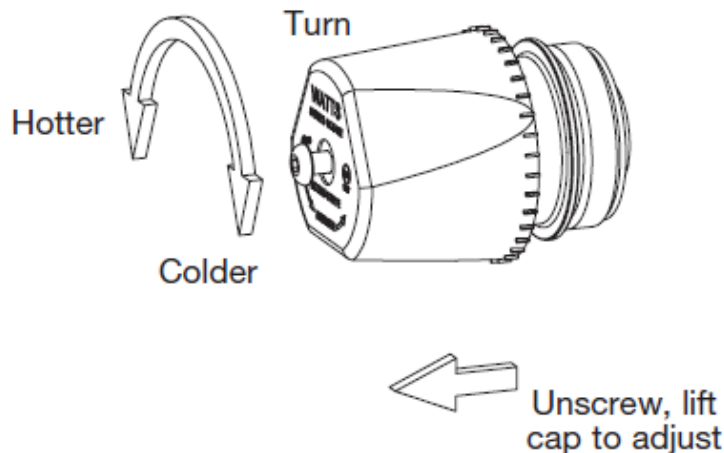
- Install an anti-backwash valve, a shut-off valve or a shut-off valve with an anti-backwash valve near the hot and cold water supply ports.
- In order for the customer to have a pleasant experience using this equipment, a hot and cold water supply pressure of 29 to 108.75 psi (0.20 to 0.75 MPa) is required. If the water pressure is low, the equipment will not function properly and could lead to trouble with the customer, so be prepared to install a booster pump as a countermeasure.

### Fill-tub plumbing

- The pipes that are used with the fill-tub feature are to have a maximum length of 49 ft (15m) and 10 changes of direction.
- Please incline the pipes so that it will be easier to remove water from the pipes when draining water

## Shower Installation Conditions

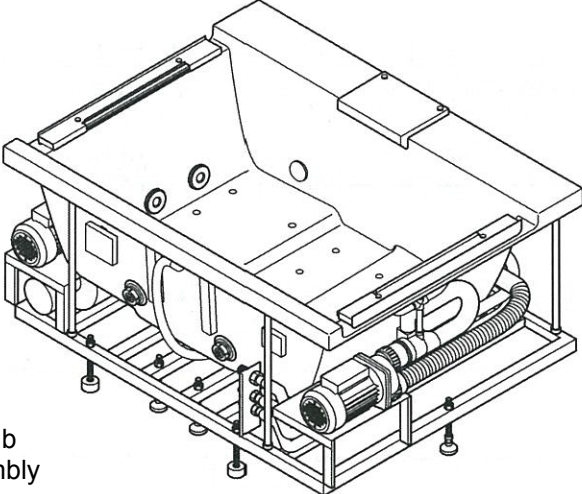
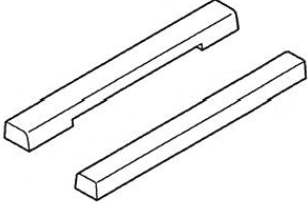


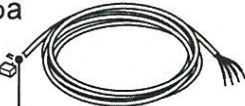
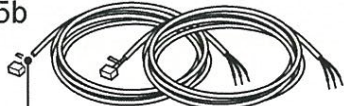



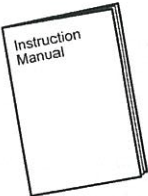


1. Confirmation of water pressure
  - Supply hot/cold water pressure:
    - Minimum required water pressure (when flowing): 11.6 psi (0.08 MPa)
    - Maximum water pressure (when not flowing): 108.75 psi (0.75 MPa)
  - If the supply water pressure exceeds 108.75 psi (0.75 MPa) please reduce the pressure to around 29 psi (0.20 MPa) using a commercially available pressure-reducing valve.
2. Confirmation of hot water supply temperature
  - Please keep the hot water supply temperature no higher than 158°F (70°C).
  - Please **do not use steam** in place of a hot water supply.
3. Plumbing
  - Please **do not connect the hot and cold water backward**.
  - Please install the hot water supply pipe at the shortest distance from the water heater to reduce the resistance.
4. Local and national codes
  - Adherence to all local and national codes is required and take precedence over requirements listed in this manual.
5. Tempering valve (supplied)
  - The shower hot water output will be limited by the tempering valve. The tempering valve is preset to 105°F (41°C)
  - Check codes for compliance and adjust if needed. The tempering valve is located under the shower near the tub frame. Below is the method of adjustment.



1. Supply hot and cold water to the shower. Turn on only the hot water on the shower.
2. Let the water flow for at least two minutes to allow the supply temperature to stabilize.
3. Measure the outlet water temperature by placing a thermometer in the water stream.
4. To adjust the setting of the valve, loosen the locking cap screw, lift the cap at least 1/4" and turn. To increase the set temperature turn counterclockwise. To decrease the set temperature turn clockwise.
5. Lower the handle and tighten the screw.
6. Confirm the outlet water temperature.

# Included Parts

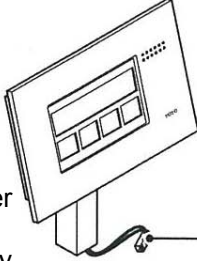
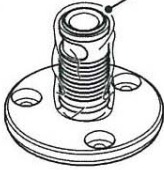
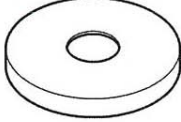
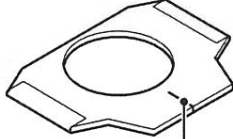

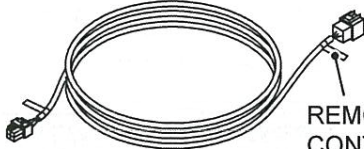

## ■ Bathtub

<p>A-1</p>  <p>Bathtub Assembly</p>	<p>A-2</p>  <p>Pillows</p>		
	<p>A-3</p>  <p>Feet fixing molds</p>		
	<p>A-4</p>  <p>Polyethylene foam sheet</p>		
<p>A-5</p> <p>Connecting Harnesses</p> <div style="display: flex; justify-content: space-around;"> <div data-bbox="418 949 704 1100"> <p>A-5a</p>  <p>AIR BLOWER</p> </div> <div data-bbox="867 949 1250 1100"> <p>A-5b</p>  <p>PUMP1 / PUMP 2</p> </div> </div> <div style="display: flex; justify-content: space-around; margin-top: 20px;"> <div data-bbox="289 1180 565 1344"> <p>A-5c</p>  <p>WATER SENSOR</p> </div> <div data-bbox="678 1180 964 1373"> <p>A-5d</p>  <p>UNDERWATER LIGHTING 1 / 2</p> </div> <div data-bbox="1078 1180 1370 1373"> <p>A-5e</p>  <p>WATER LEVEL SENSOR / REMOTE CONTROL</p> </div> </div>			
<p>Instruction Manual</p> <p>A-6</p> 	<p>Installation Guide</p> <p>A-7</p> 	<p>Cleaning spatula for shoulder-warmer water outlet</p> <p>A-8</p> 	

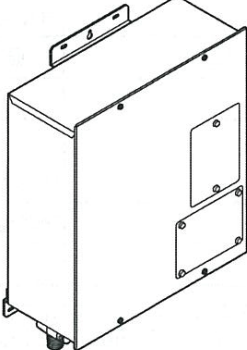
Items A-6 and A-8 should be passed on to the customer after installation is complete.



## ■ Controller stand

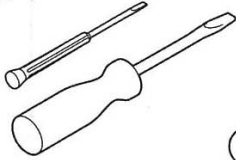
<p>A-10</p>  <p>Controller Stand Assembly</p> <p>A-10a</p>	<p>A-11</p>  <p>A-11a</p> <p>Base Assembly</p>	<p>A-12</p>  <p>Base Cover</p>
<p>A-13</p>  <p>Slip Ring Assembly</p> <p>A-13a</p>	<p>A-15</p>  <p>M4 Set Screws</p>	
<p>A-14</p>  <p>Controller Branch Harness</p> <p>REMOTE CONTROL</p>	<p>A-16</p>  <p>4x30 Base mounting screws</p>	

## ■ Function module

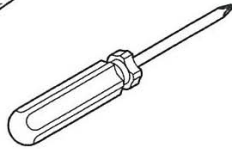
<p>A-17</p> 
---

# Required Tools

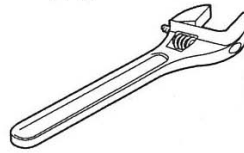
B-1



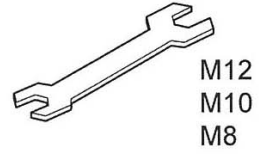
B-2



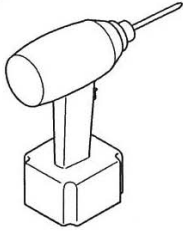
B-3



B-4



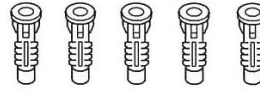
B-5



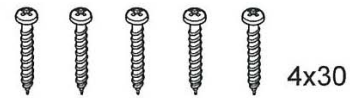
B-6



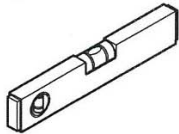
B-7



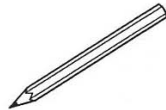
B-8



B-9



B-10



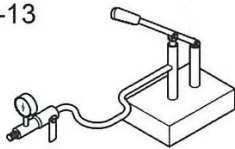
B-11



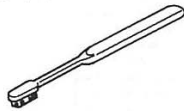
B-12



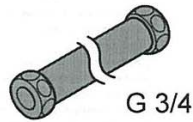
B-13



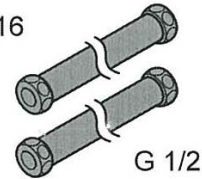
B-14



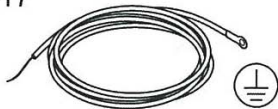
B-15



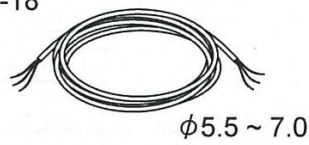
B-16



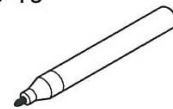
B-17



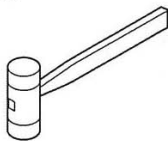
B-18



B-19



B-20



B-21



# Specifications

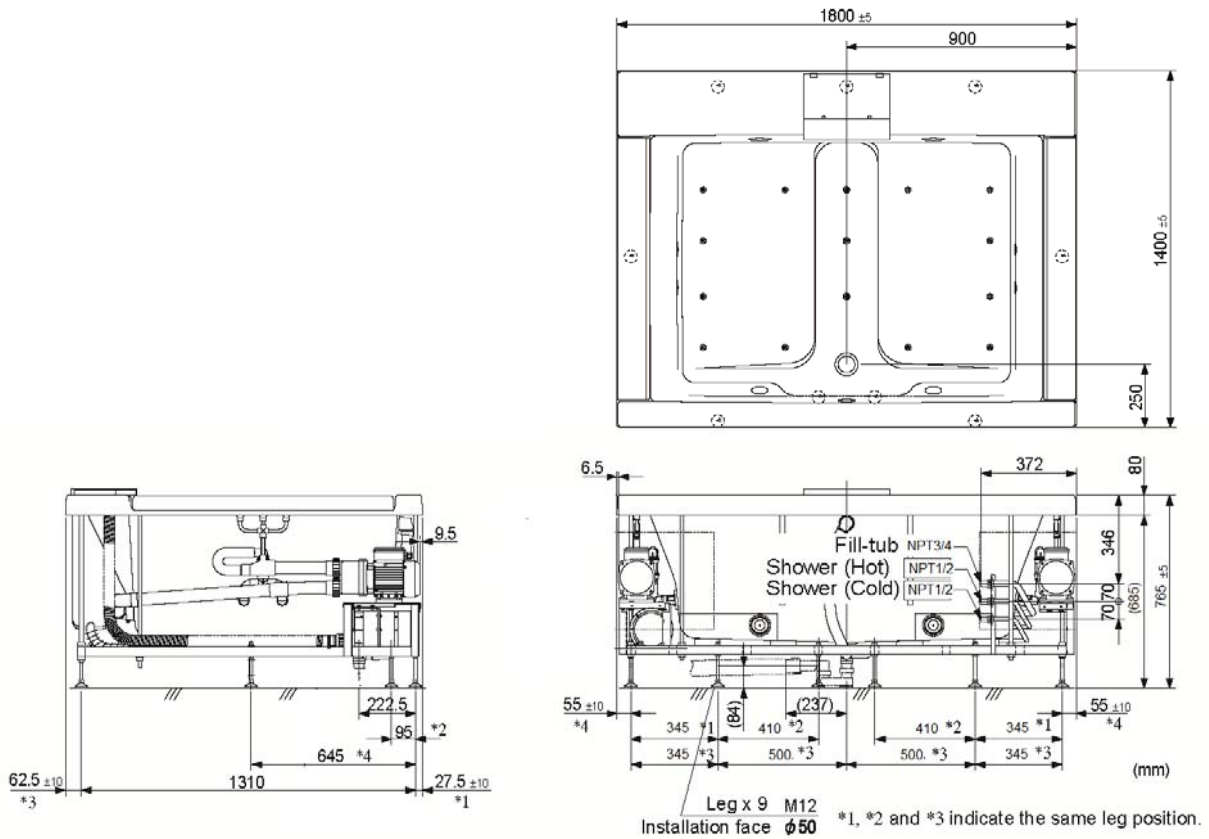
Bathtub	Dimensions		70-7/8" x 55-1/8" x 30-1/8" (1800mm x 1400mm x 765mm) Includes the frame that supports the bathtub		
	Weight		397 pounds (180 kg)		
	Capacity		151 gallons (570 L) to overflow line		
	Material		Acrylic synthetic marble		
	Bathtub filling	Outflow ports		One	
		Bathtub filling flow rate		Max. 9.2 gpm (35 Lpm) (controlled by function module)	
	Air Blower	Number of jets		15 on the bottom of the bathtub	
		Volume of air		Max. 148 gpm (560 Lpm) (15 total, controlled by function module)	
	Shoulder Warmer (cascade)	Intake ports		Two	
		Outflow ports		Two	
		Flow rate		Max. 10 gpm (38 Lpm) (2 Total)	
	HydroHands	Intake ports		Two	
		Outflow ports		Four	
		Flow rate		Max. 40 gpm (150 Lpm) (4 Total)	
	Underwater lighting	Lighting modules		Two	
		Colors		Three pattern types, 10 individual colors	
	Shower (Two knobs)	Uses		Cleaning the bathtub	
		Water pressure	Min. required water pressure (when flowing)		11.6 psi (0.08 MPa)
			Max. water pressure (when not flowing)		108.75 psi (0.75 MPa)
		Inlet water temperature	Hot	Controlled by tempering valve (supplied)	
Cold			32 to 86°F (0 to 30°C) no freezing		
Connection diameter threads		Hot	NPT 1/2		
		Cold	NPT 1/2		
Bathtub filling connection dia. threads			NPT 3/4		

## Specifications (continued)

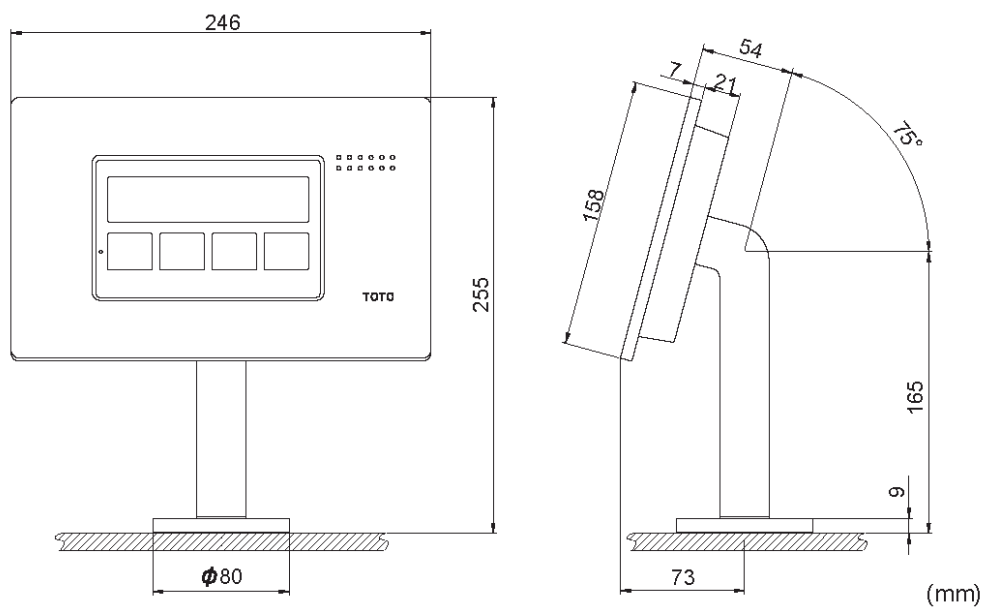
Controller Stand	Dimensions		9-11/16" x 4-7/16" x 10-1/16" (246mm x 113mm x 255mm)	
	Weight		6 pounds (2.8 kg) including the controller	
	Adjustable arc		90°	
Function Module	Dimensions		16-5/8" x 7-1/16" x 18-3/4" (422mm x 180mm x 476mm) External height excludes the connection ports.	
	Weight		31 pounds (14 kg)	
	Rated voltage		120 VAC	
	Rated frequency		60 Hz	
	Rated current		14.3 A	
	Rated power consumption		1490 W	
	Standby power consumption		7.0 W	
	Installation location		Indoors (location without condensation, dampness or freezing: not the bathroom)	
	Water pressure	Min. required water pressure (when flowing)		29 psi (0.20 MPa)
		Max. water pressure (when not flowing)		108.75 psi (0.75 MPa)
	Inlet water temperature		Hot	140 to 158°F (60 to 70°C)
			Cold	32 to 86°F (0 to 30°C) no freezing
	Connection diameter threads	Hot		NPT 3/4
		Cold		NPT 3/4
		Fill bathtub		NPT 3/4
Safety device		Continuous operation prevention device, over current protection device, ground-fault circuit interrupter (GFCI)		

# Dimension Drawings

## ■ Bathtub

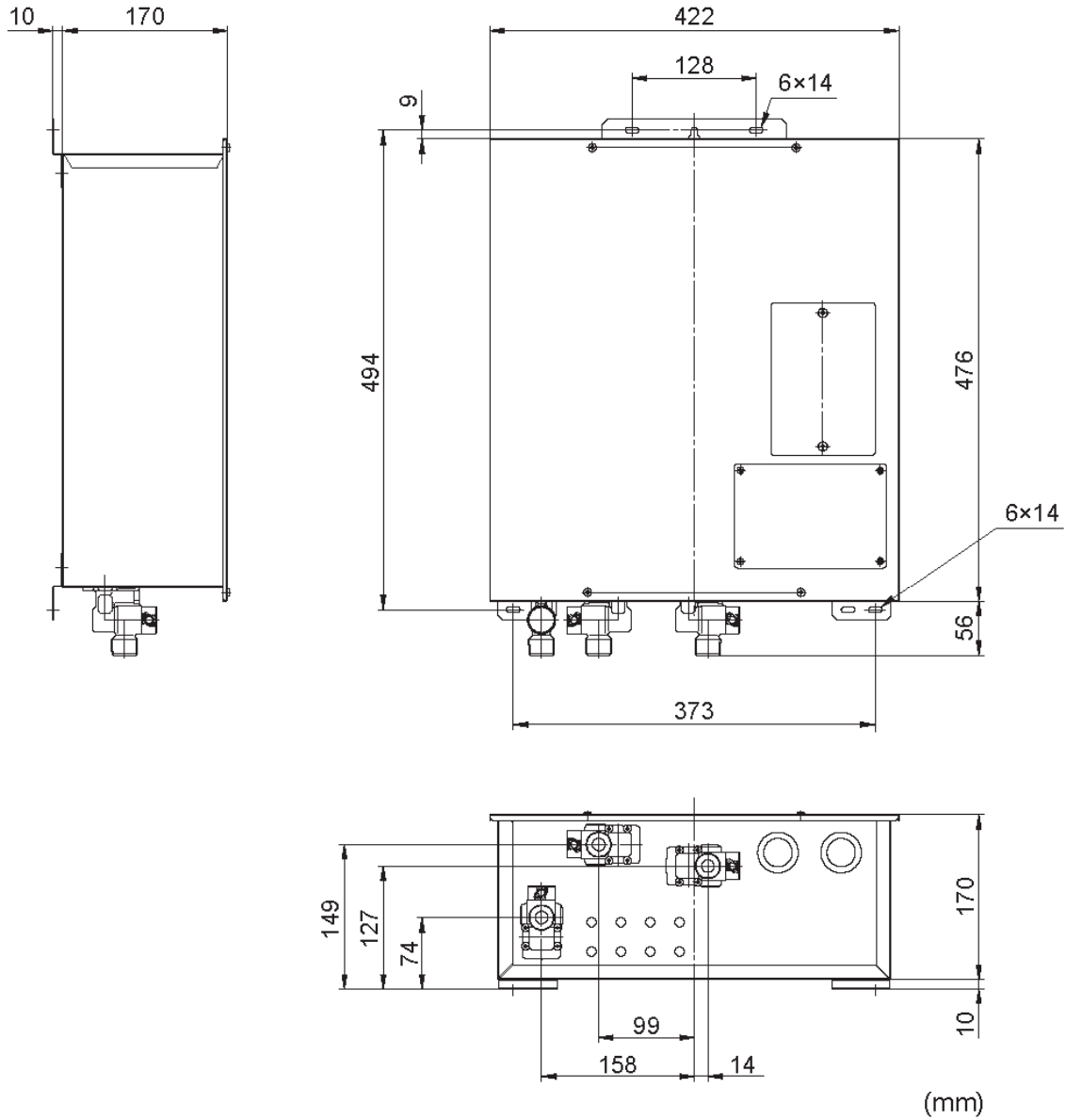


## ■ Controller stand



# Dimension Drawings (continued)

## ■ Function module



## Installation Procedure

Building a base for the bathtub - seating the bathtub ▶ See page 16



Installing the function module ▶ See page 20



Testing the operation ▶ See page 24  
● Error Codes ▶ See page 44



Finishing ▶ See page 34



Installing the controller stand ▶ See page 37



Cleaning the filter in the water drain plug ▶ See page 41

## Meaning of the indications



: Task that must be conducted by the installer



: Action that the NEOREST should perform automatically



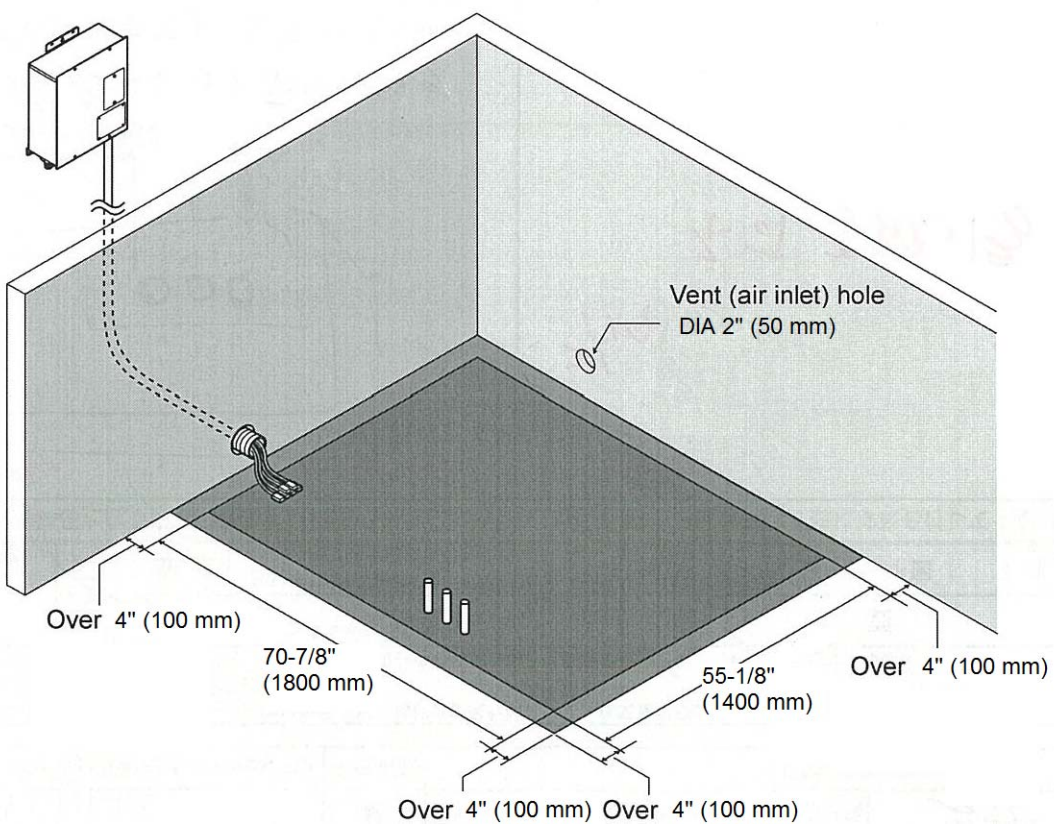
: Work that requires confirmation



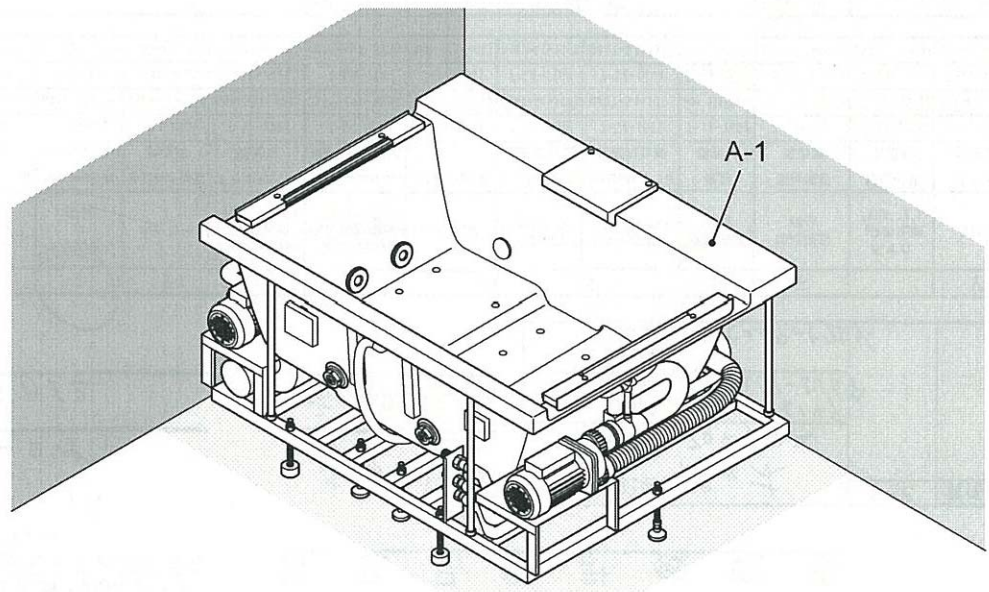
: Shows the work sequence

# Building a base for the bathtub - seating the bathtub

1



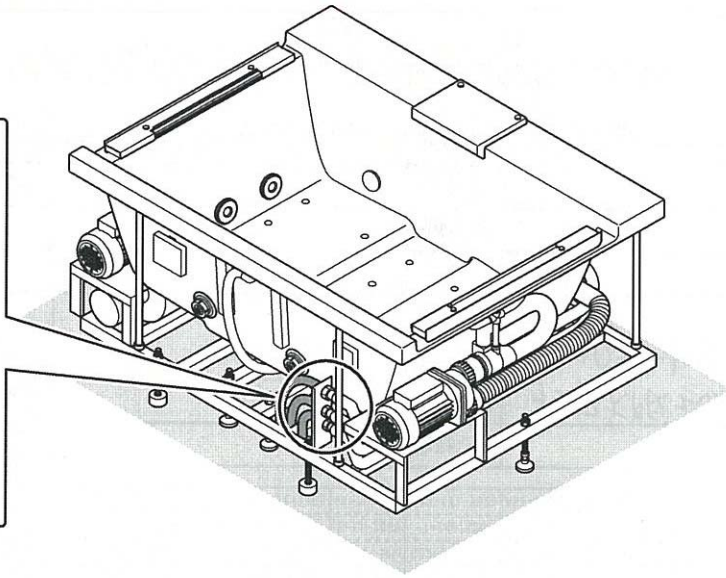
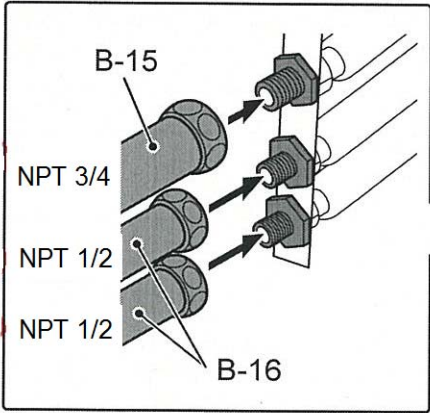
2



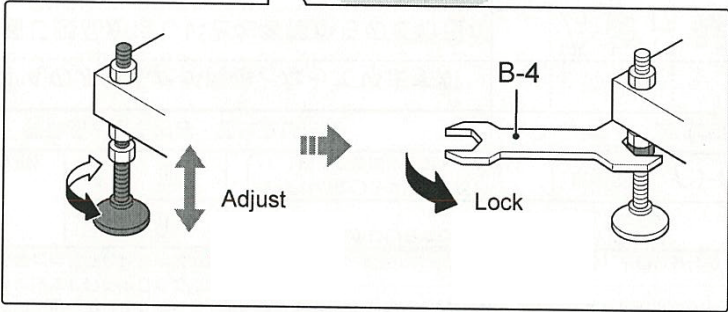
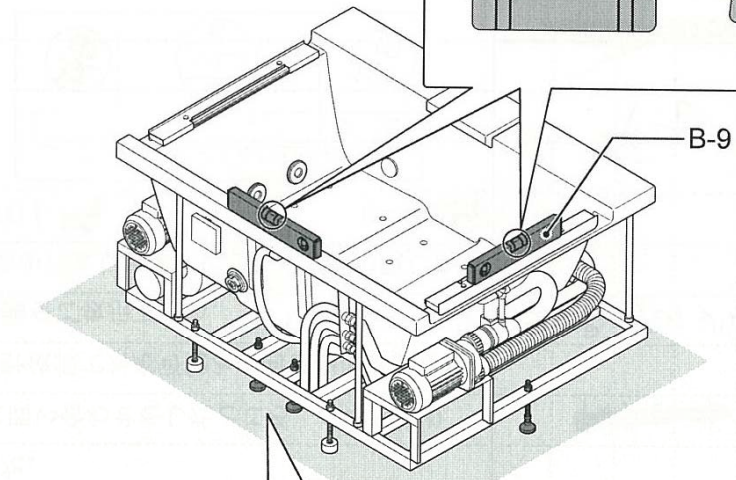
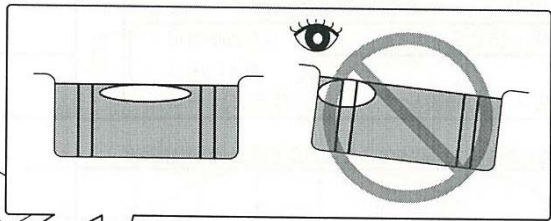


# Building a base for the bathtub - seating the bathtub

## 3

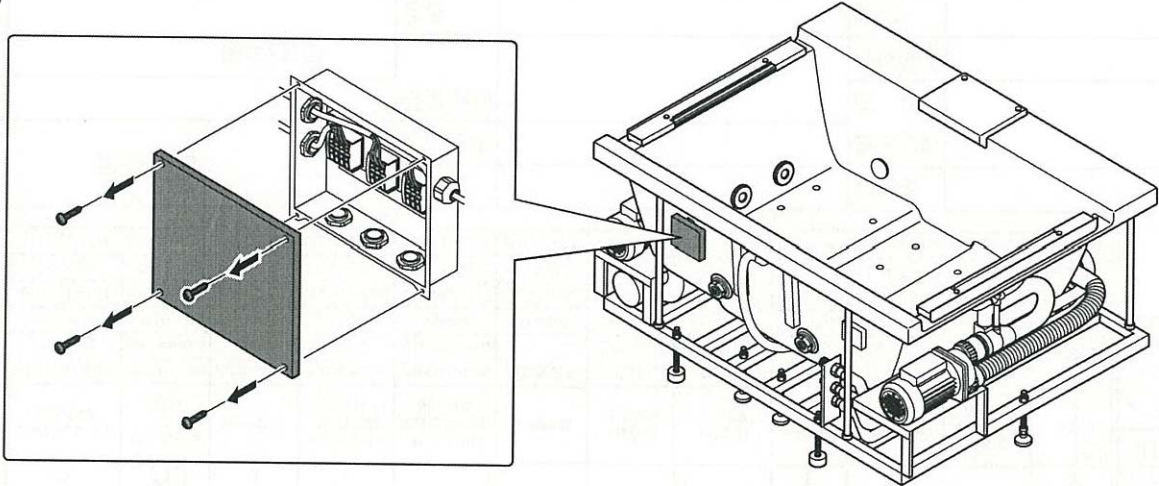


## 4

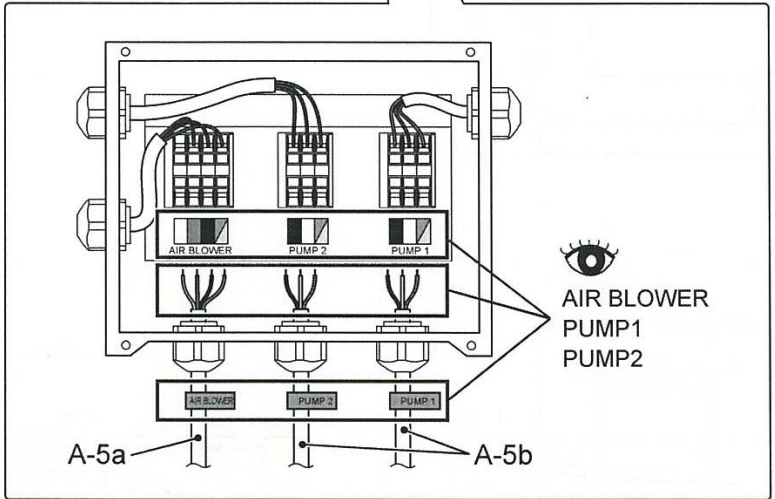
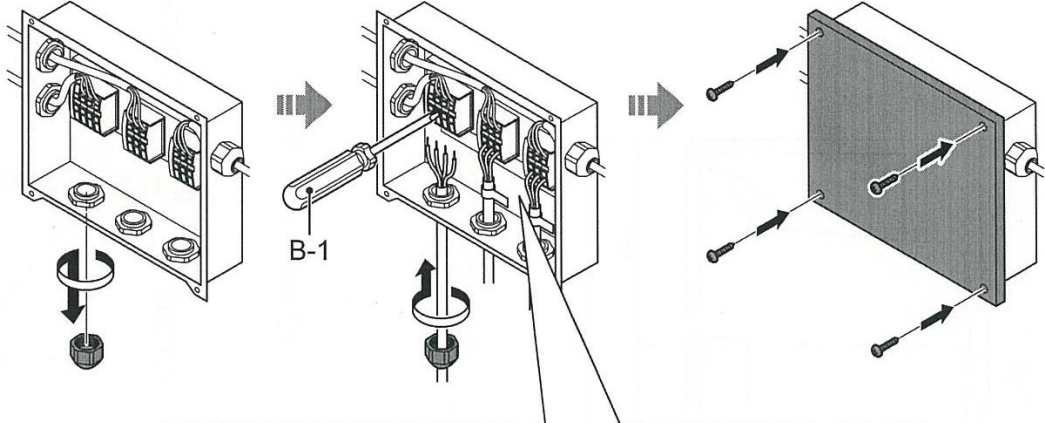


# Building a base for the bathtub - seating the bathtub

## 5

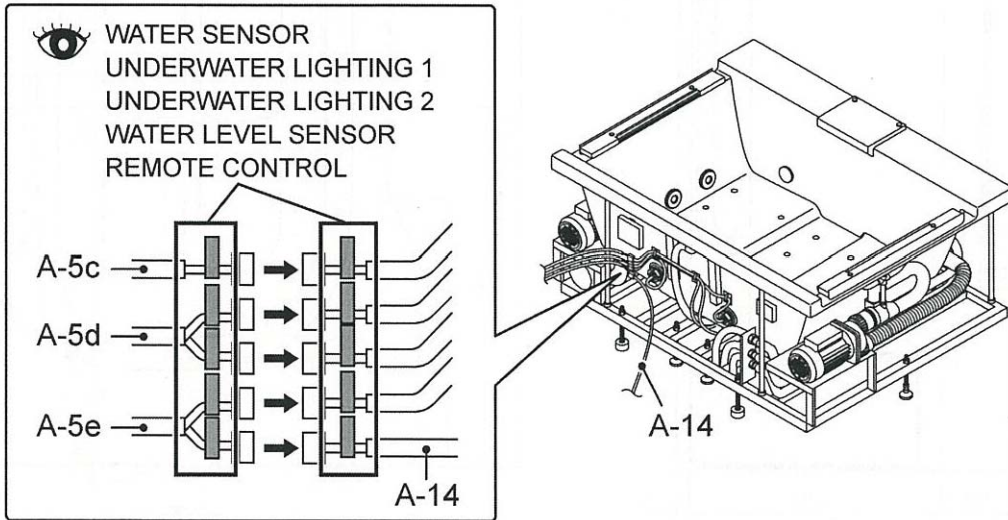


## 6

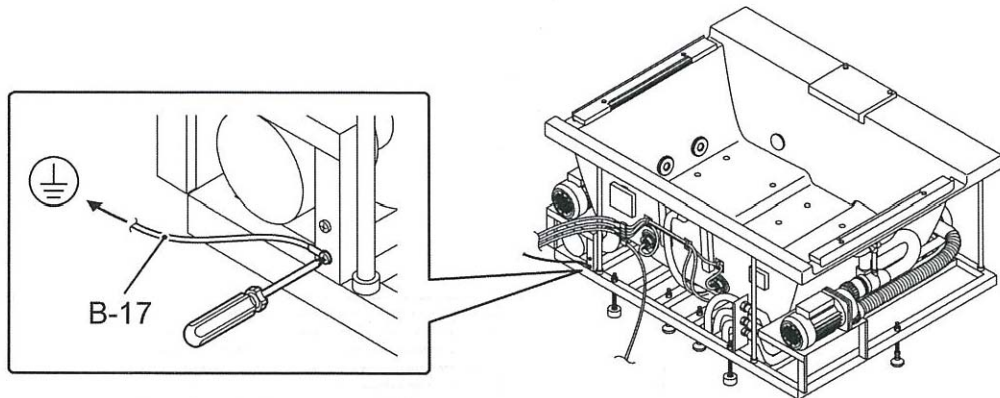


# Building a base for the bathtub - seating the bathtub

7



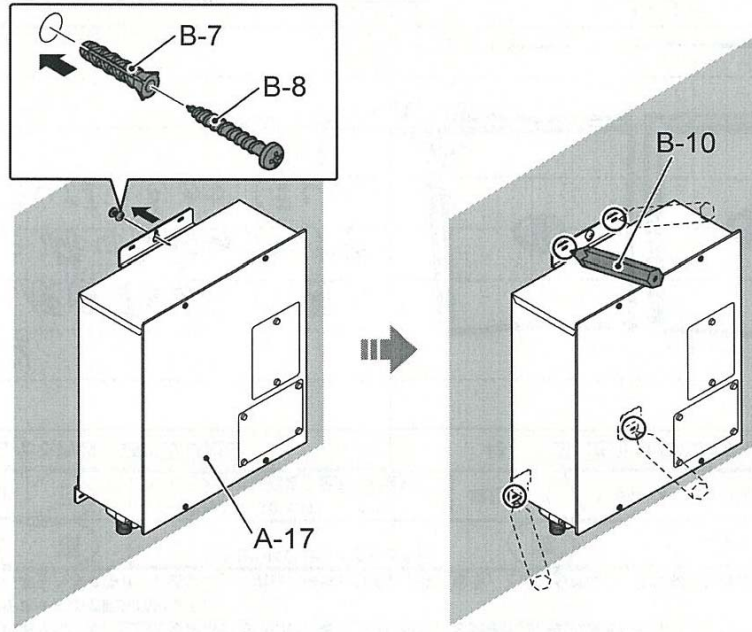
8



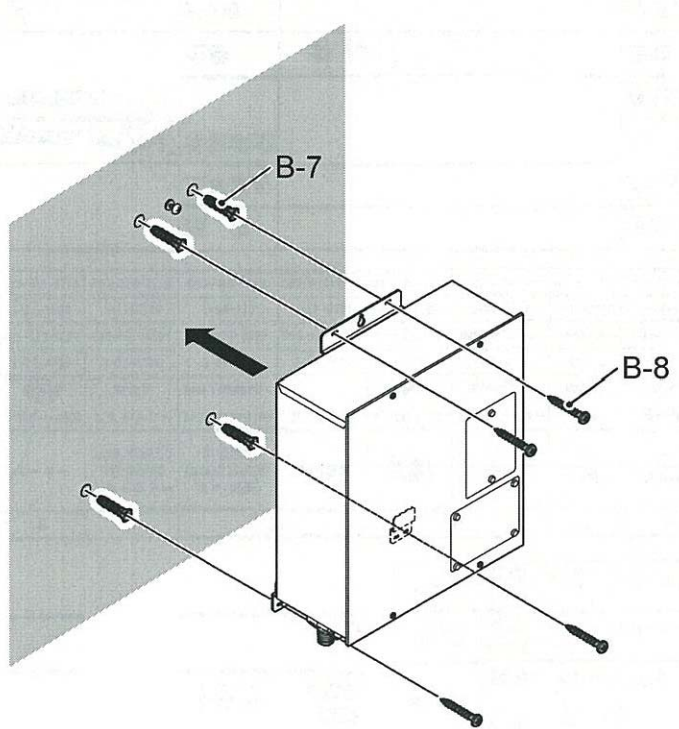
# Installing the function module

1

Install indoors (Not in the bathroom)



2



# Installing the function module

## 3

### ■ Inspect for leaks in the fill-tub plumbing

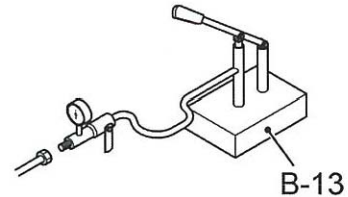
#### ⚠ CAUTION



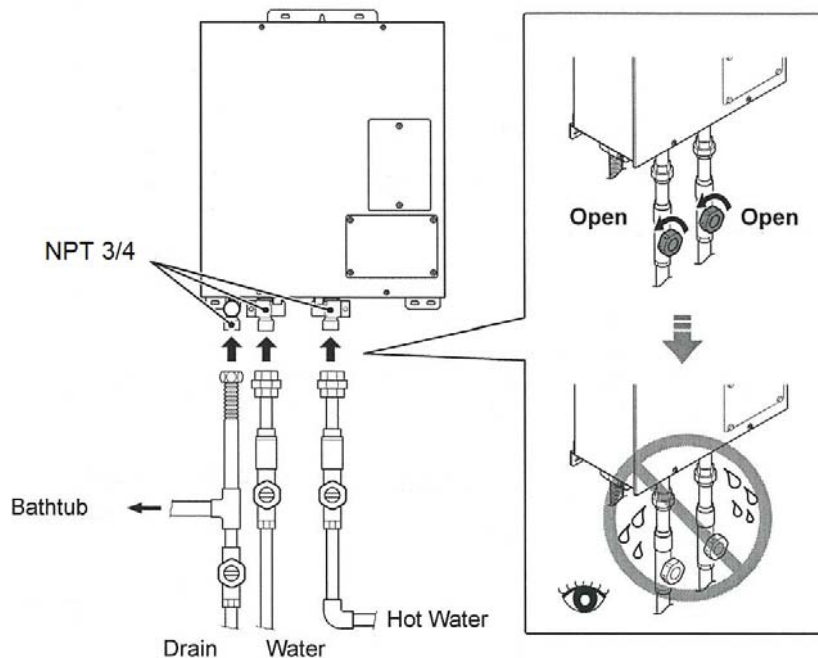
Prohibited

Do not apply additional pressure to the equipment.  
 • Inspection pressure and time: 43.5 psi (0.30 MPa) for five minutes or longer.

1. Install a valve on one end of the fill-tub plumbing. (Valve open.)
2. Install a booster pump on the other end to feed water into the fill-tub plumbing.
3. Once the air has been removed from the fill-tub plumbing and it has been filled with water, close the installed valve.
4. Inspect for leaks.
  - Use a pressure meter that suits the pressure being checked when inspecting the pressure.
  - Be sure that there are no leaks or pressure drops across the gauge.
5. If pressure leaks are discovered, run the test again after fixing the leaky areas.



## 4



#### ⚠ CAUTION

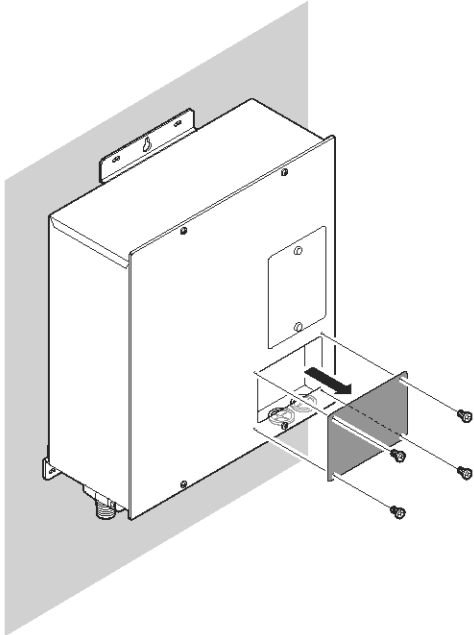


Required

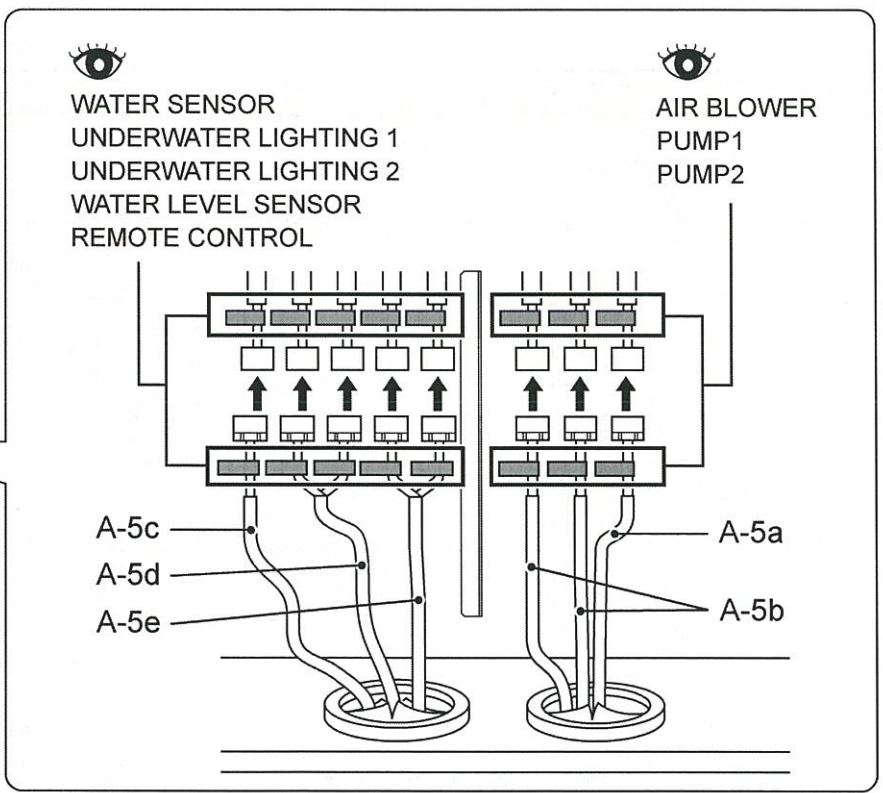
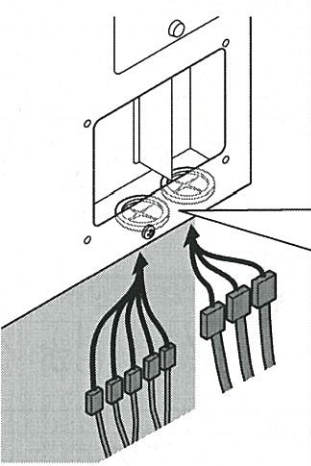
Fit the hot/cold water pipes with anti-backwash valves and shut-off valves.

# Installing the function module

## 5

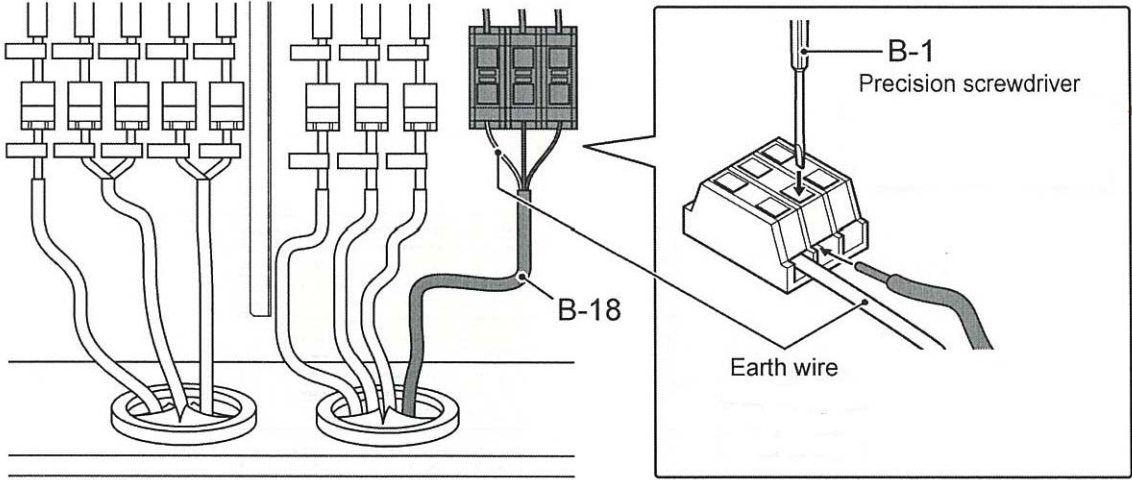


## 6

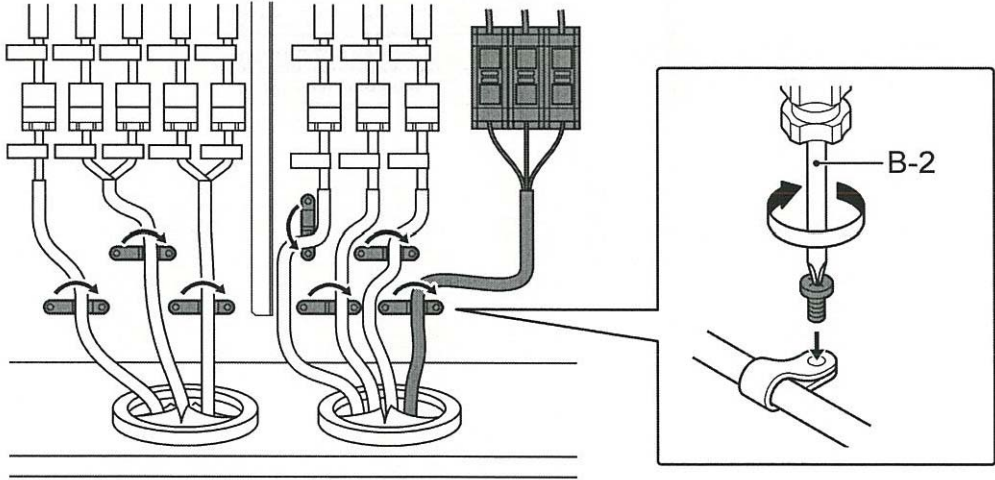


# Installing the function module

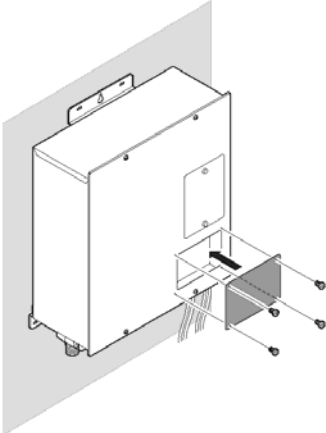
7



8



9



# Testing the operation

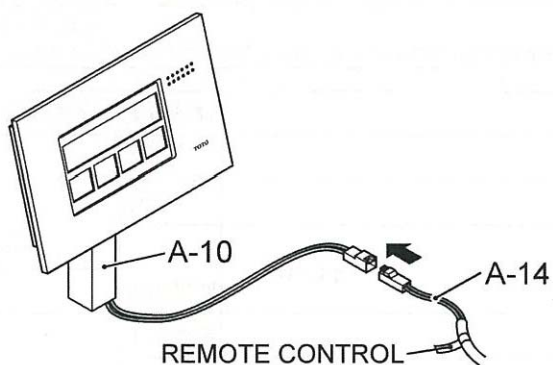
## ■ Preparation for testing

**⚠ CAUTION**

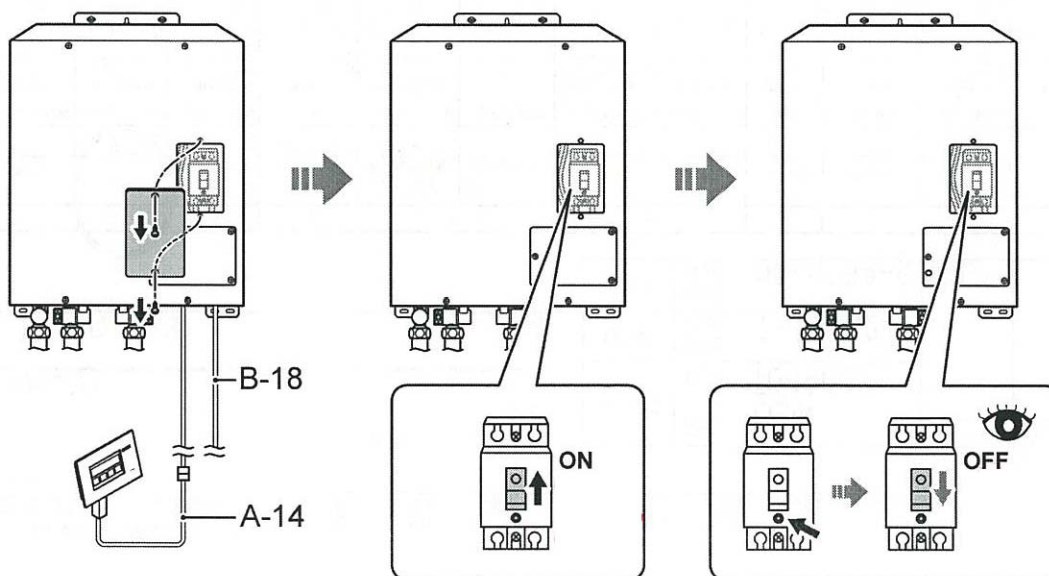
**!**  
Required

Operate with the bathtub empty of water.

1



2





# Testing the operation

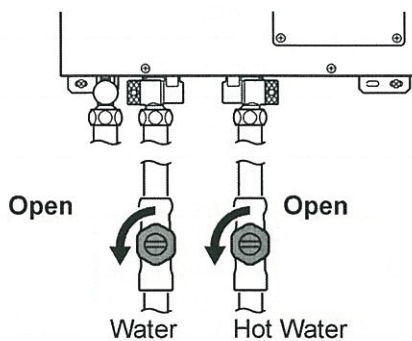
## ■ Preparation for testing (continued)

 CAUTION

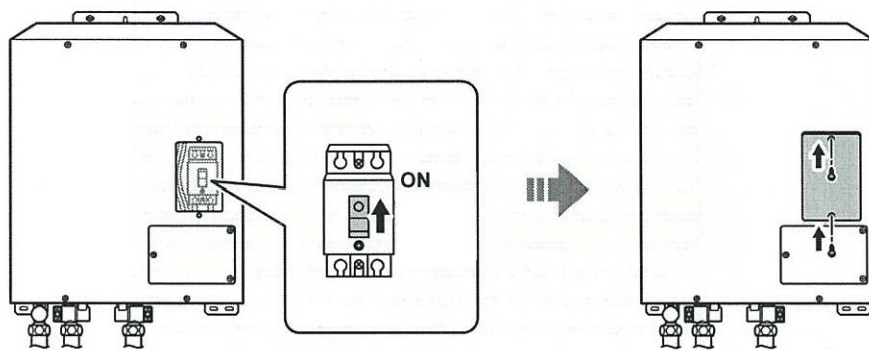
 Required

Operate with the bathtub empty of water.

3



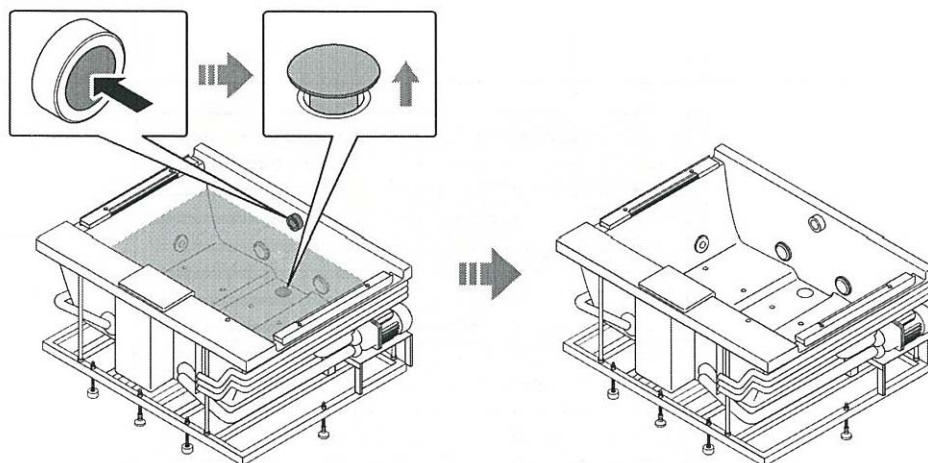
4



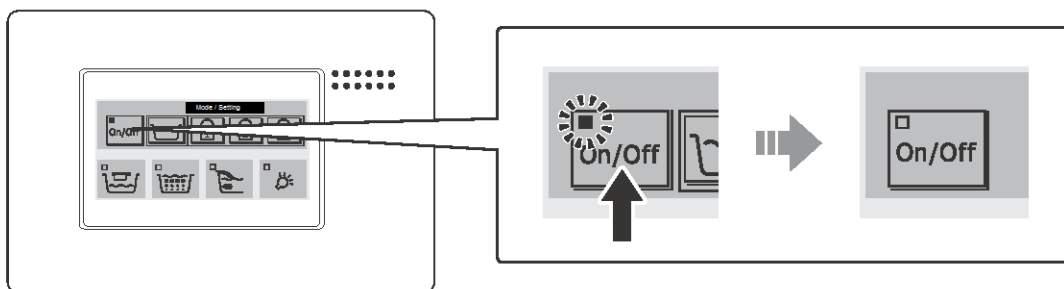
# Testing the operation

## ■ Bathtub data reset

1



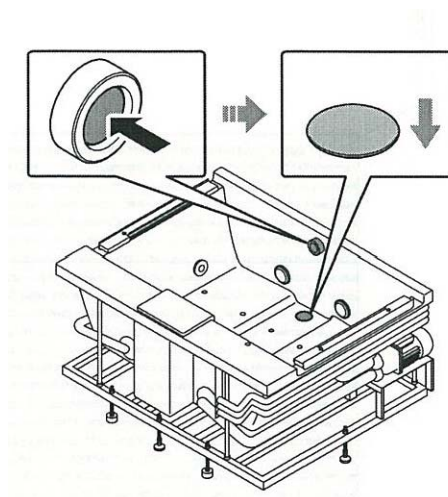
2



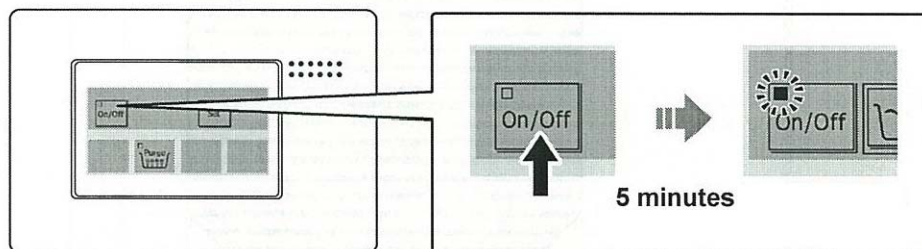
# Testing the operation

## ■ Fill-tub operation

1

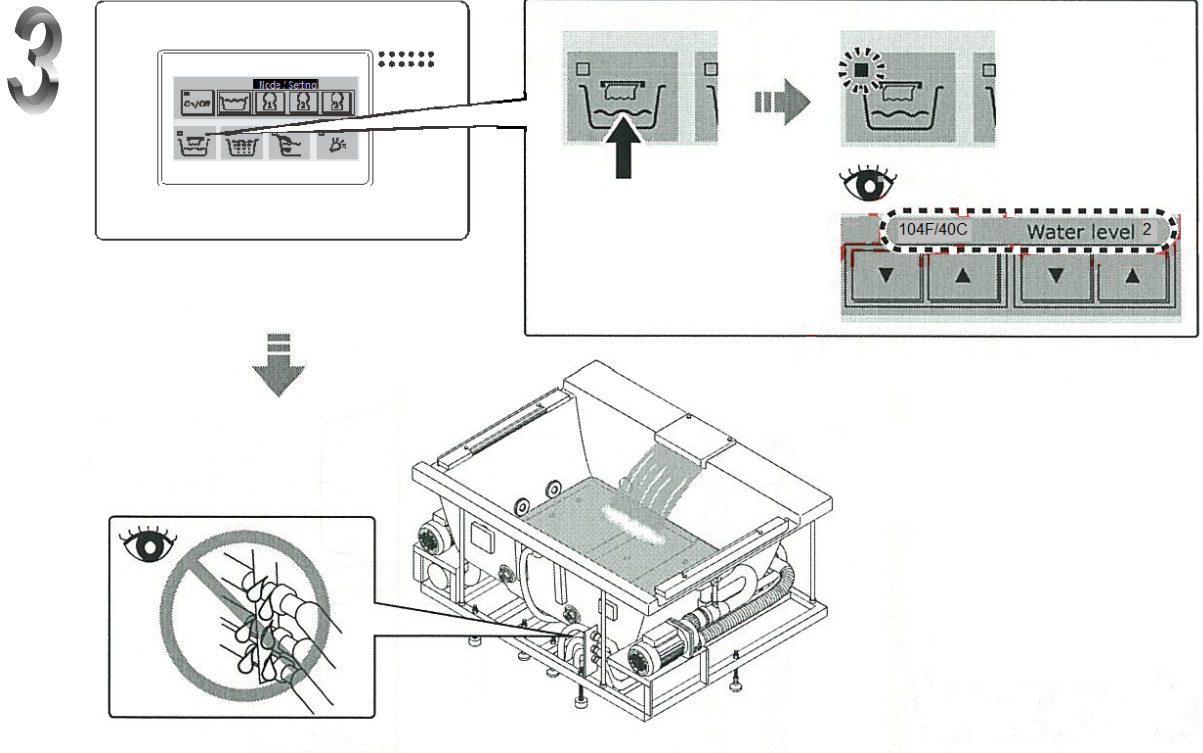


2



# Testing the operation

## ■ Fill-tub operation (continued)



# Testing the operation

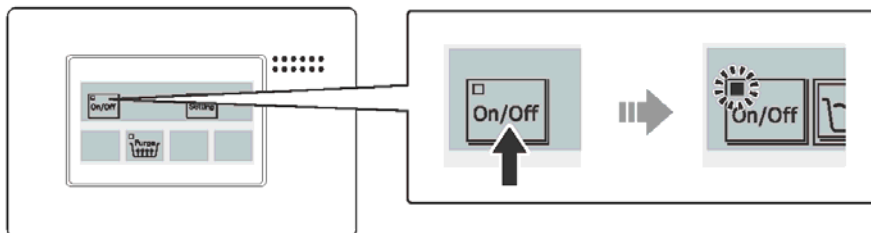
## ■ Air blower (10 minutes)

**⚠ CAUTION**

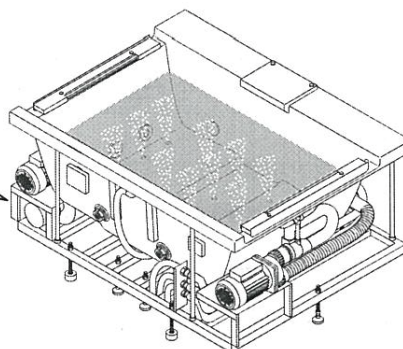
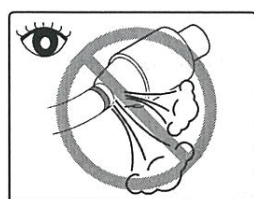
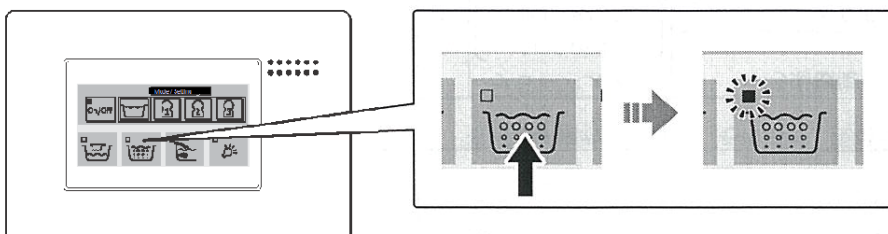
**!**  
Required

Make sure that there is hot water in the tub after running the fill-tub feature.

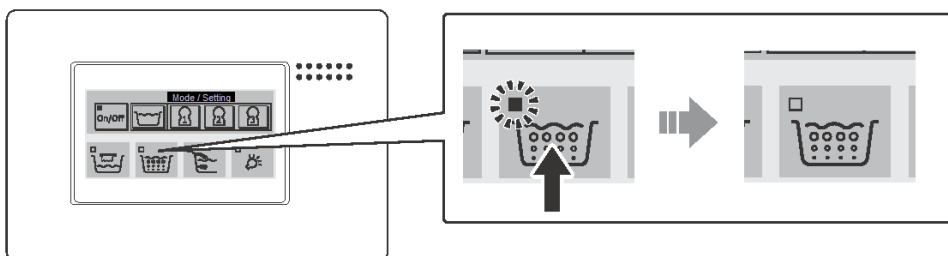
1



2



3



# Testing the operation

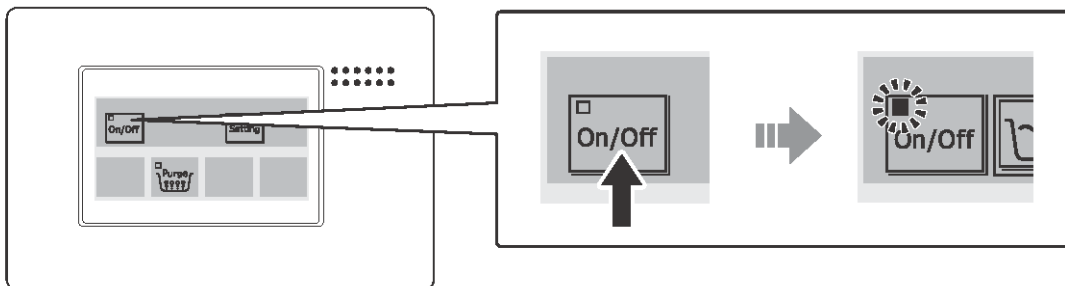
## ■ Hydro Hands Shoulder-warmer (10 minutes)

**⚠ CAUTION**

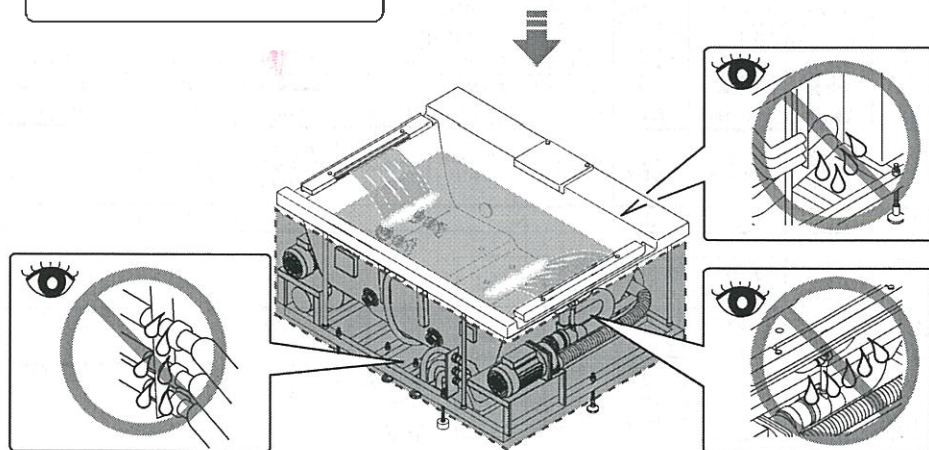
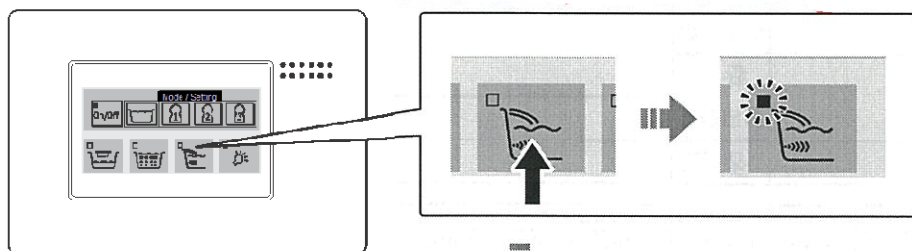
**!**  
Required

Make sure that there is hot water in the tub after running the fill-tub feature.

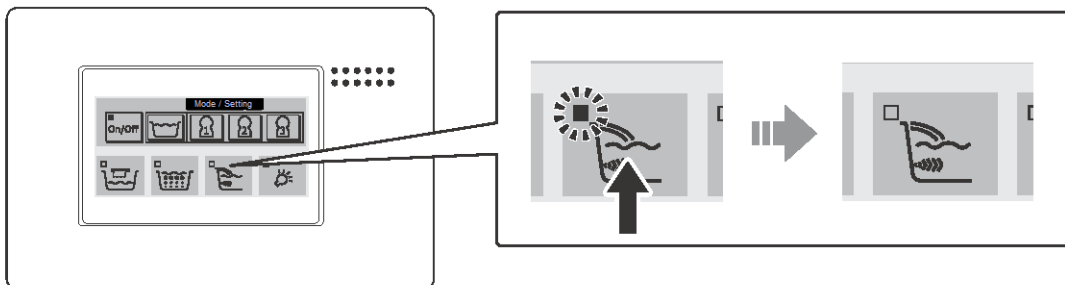
1



2



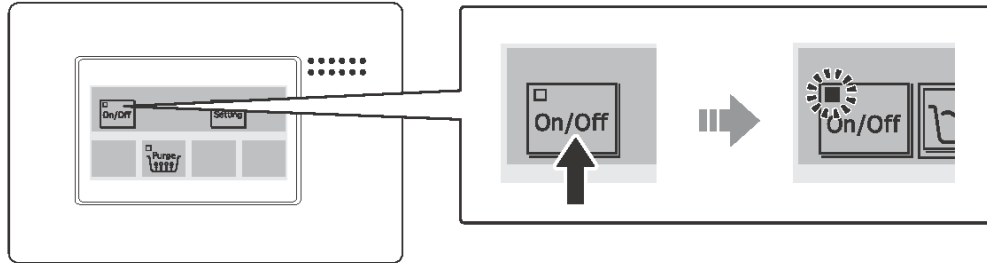
3



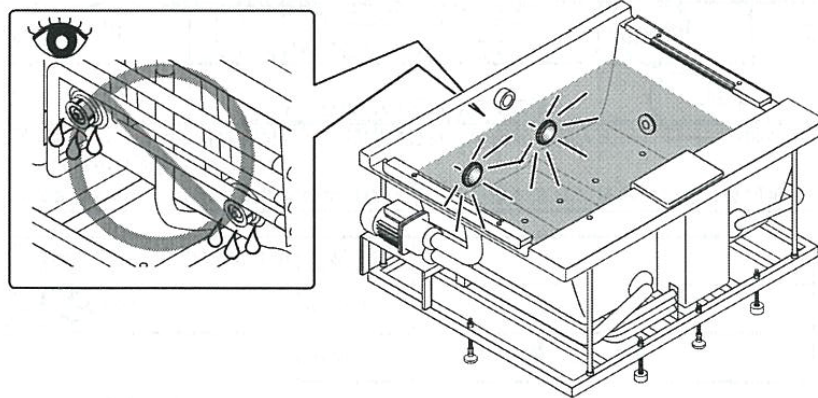
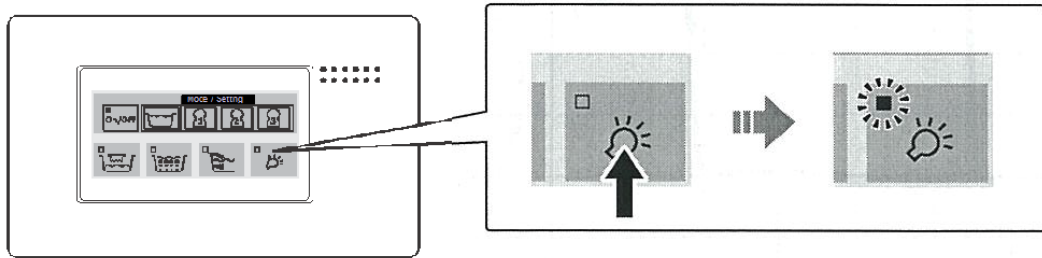
# Testing the operation

## ■ Underwater lighting

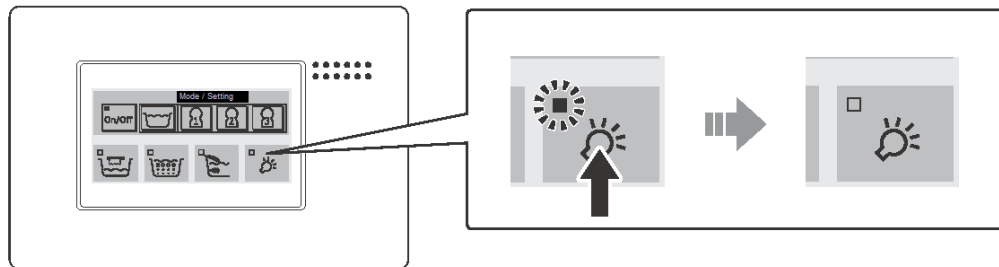
1



2



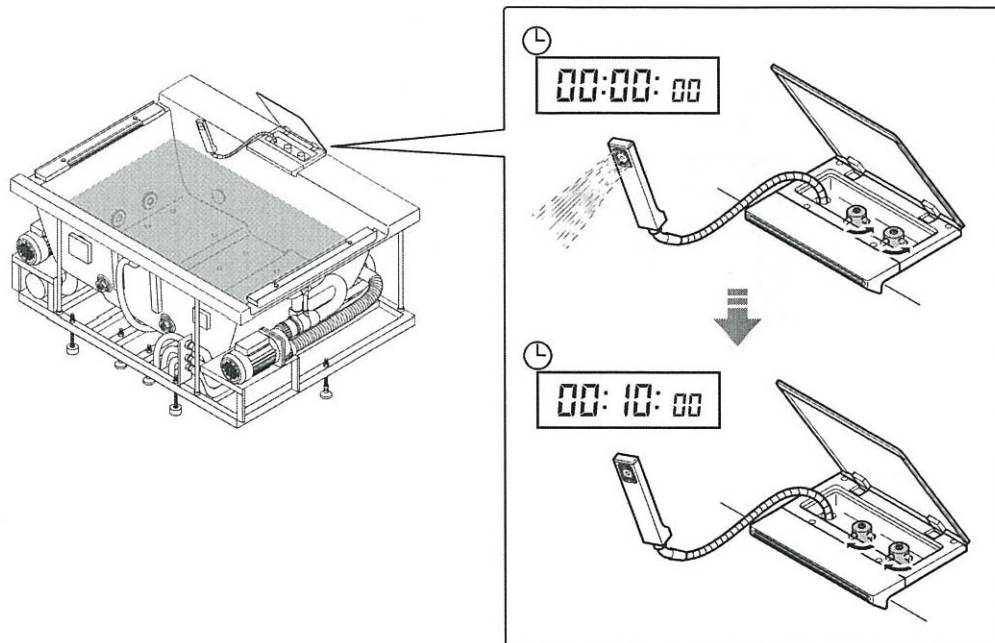
3



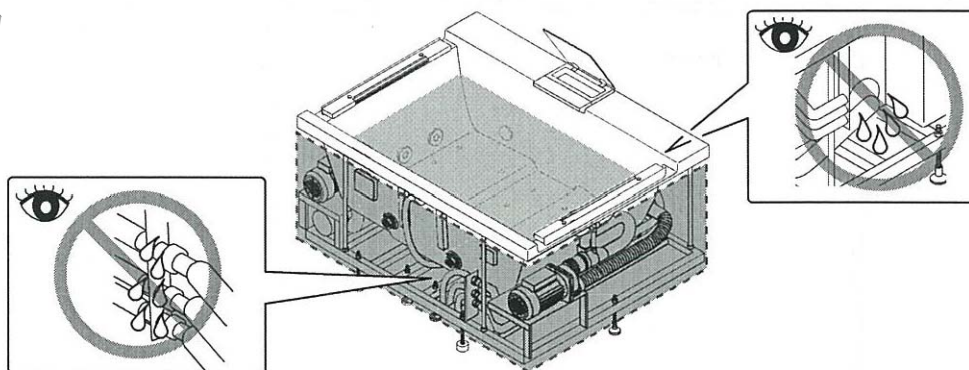
# Testing the operation

## ■ Shower

1



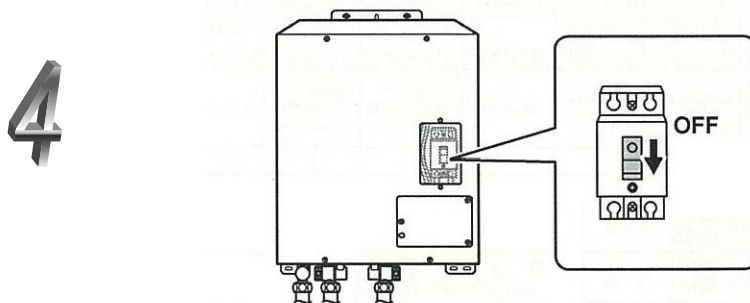
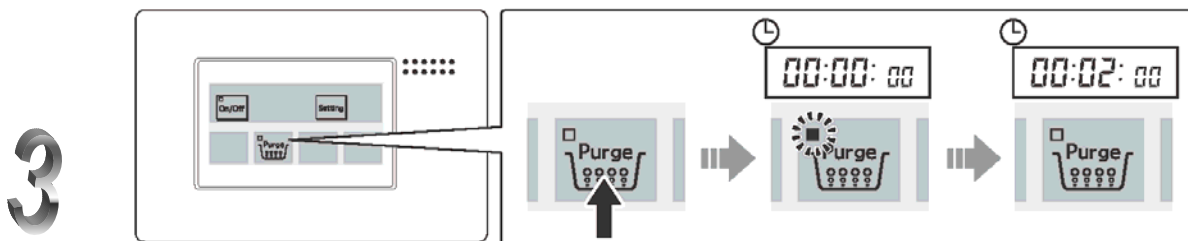
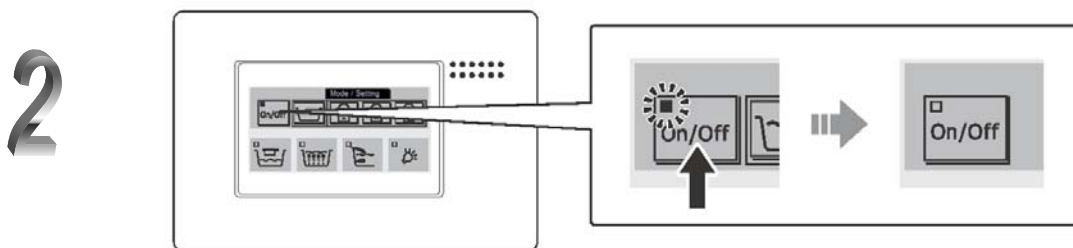
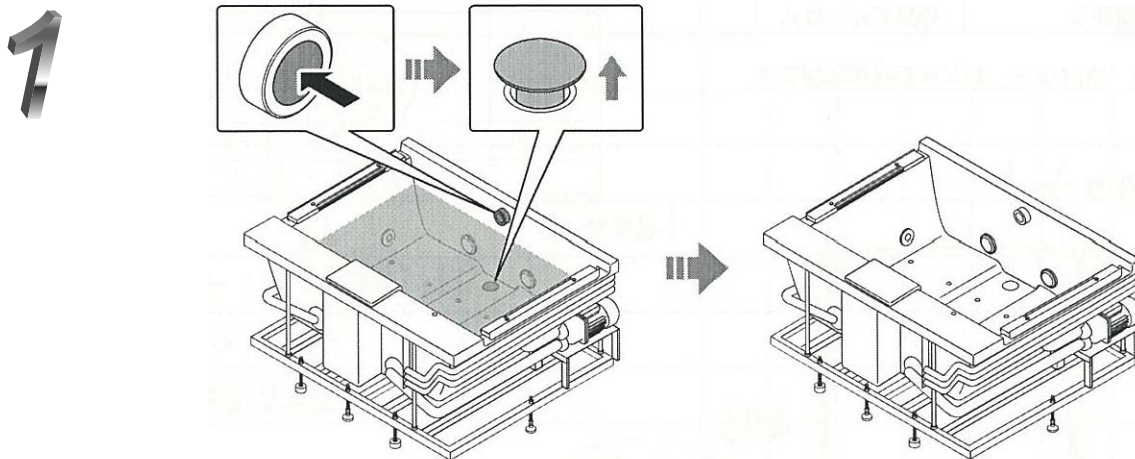
2





# Testing the operation

## ■ Purge operation

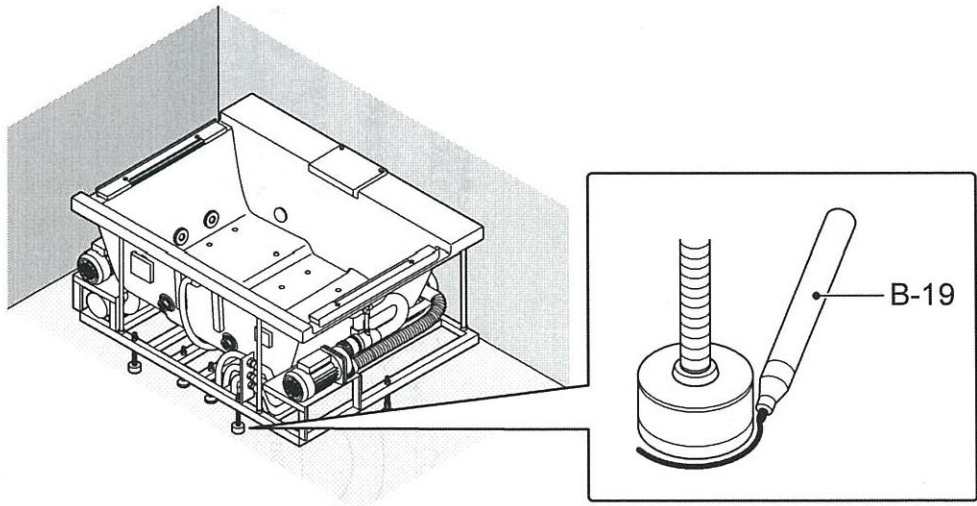


### If there are problems with operation

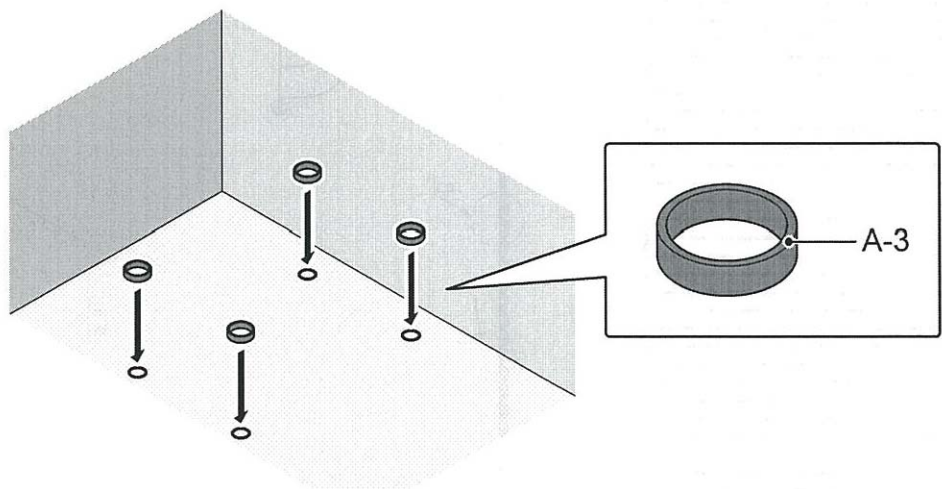
► See "Error Codes" on page 44

# Finishing

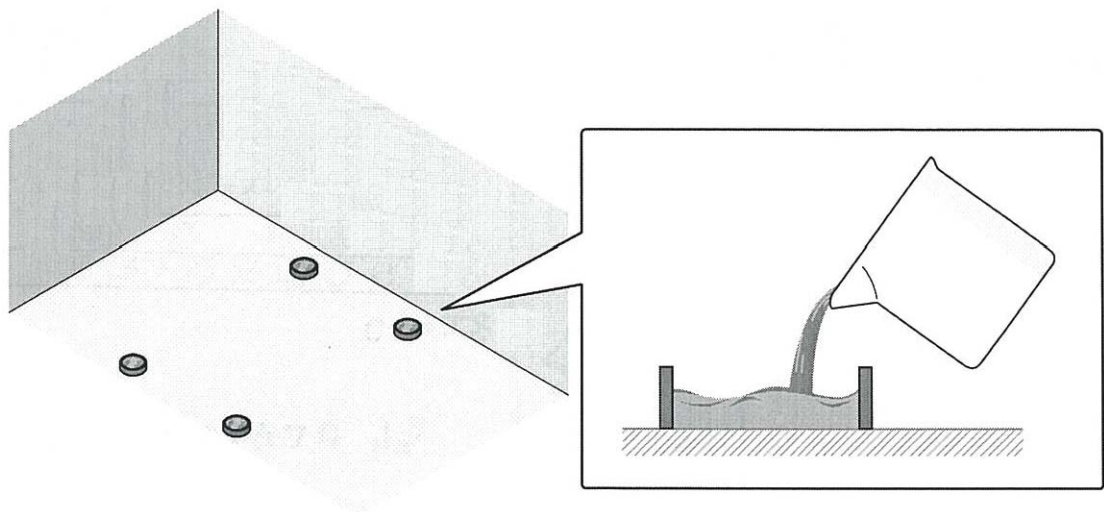
1



2

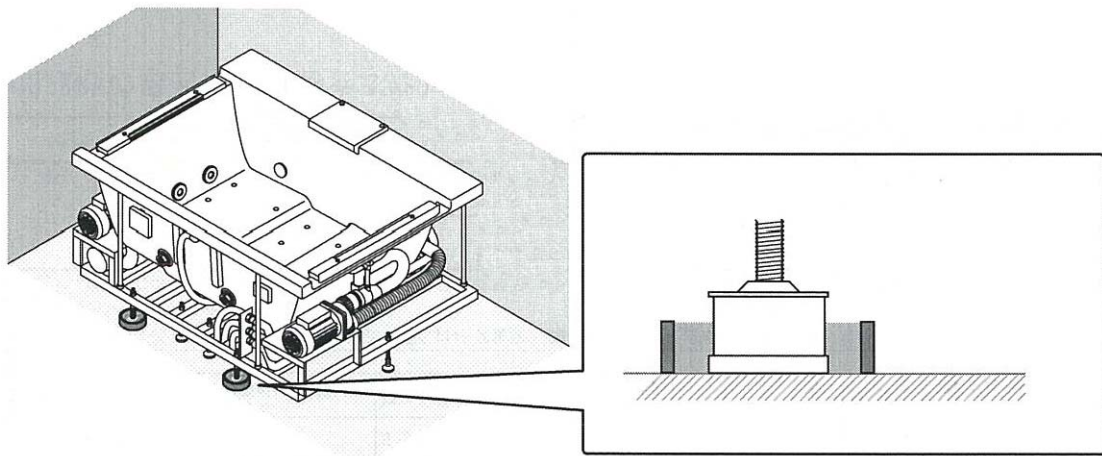


3

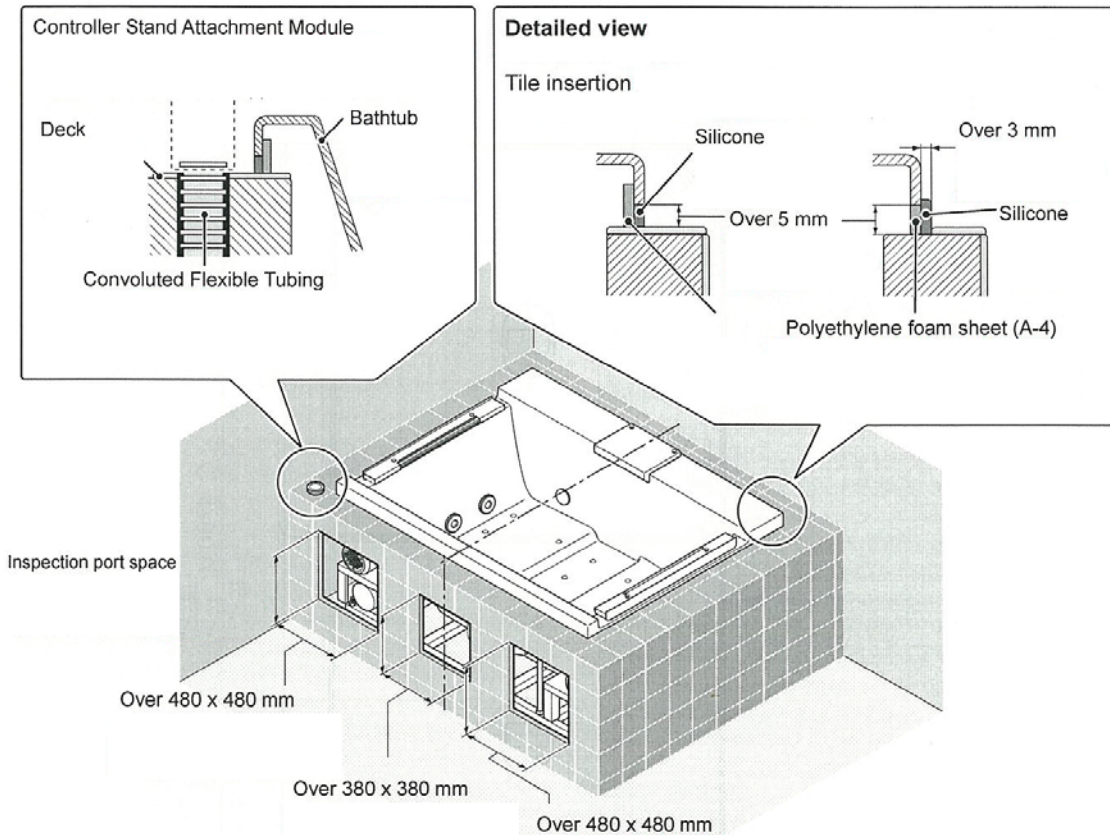


# Finishing

4



5

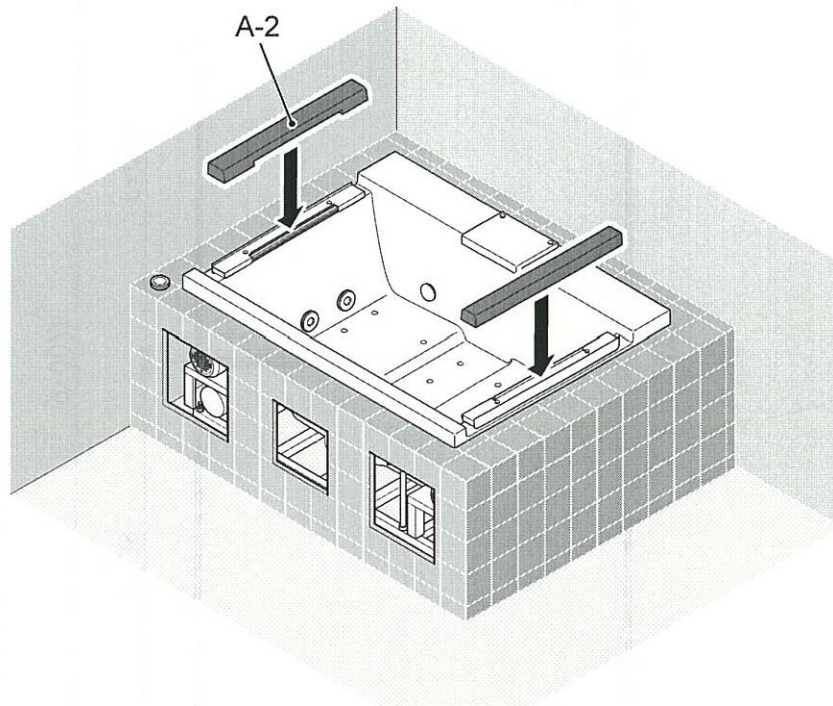


## ⚠ CAUTION

	<p>Be sure to leave a gap between the bathtub and the tiles and fill this gap with alcohol-free silicone.</p>
<p>Required</p>	<p>Be sure to affix the provided polyethylene foam sheet (A-4) to the deck surface or the back of the bathtub rim before putting the tub in place. (Refer to detailed view)</p> <ul style="list-style-type: none"> <li>It may not be possible to affix the polyethylene foam sheet after the bathtub is in place.</li> </ul>

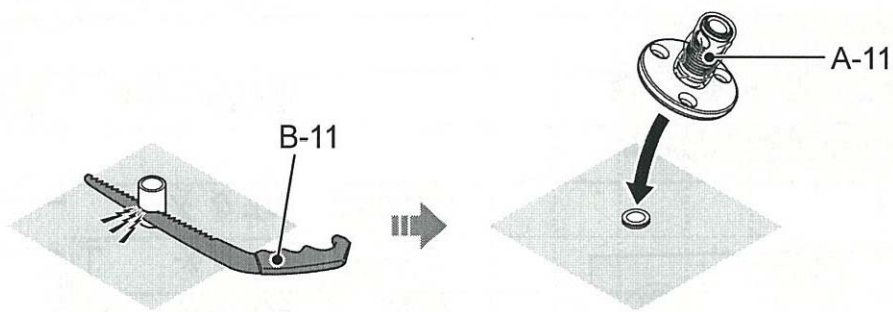
# Finishing

6

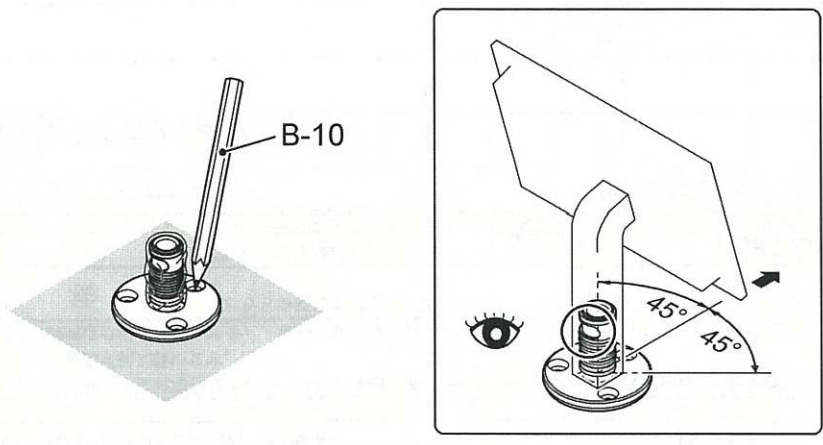


# Installing the controller stand

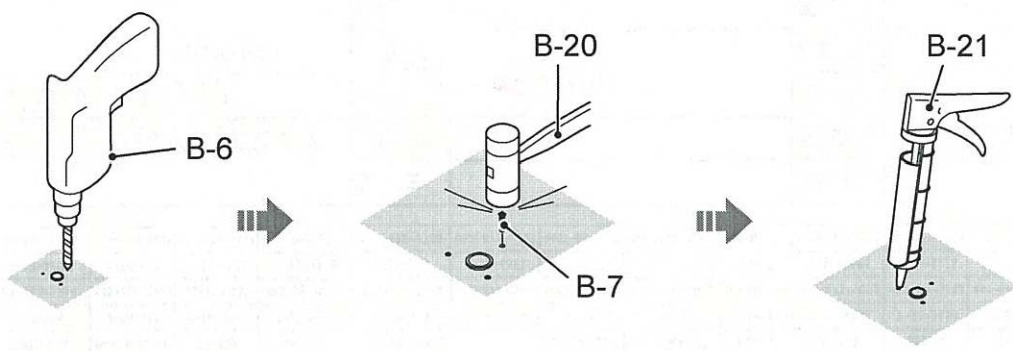
1



2



3

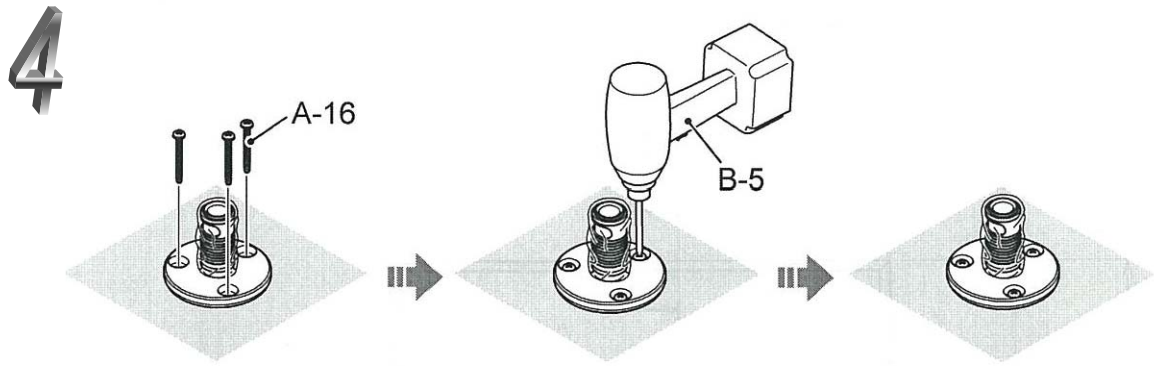



## ⚠ CAUTION

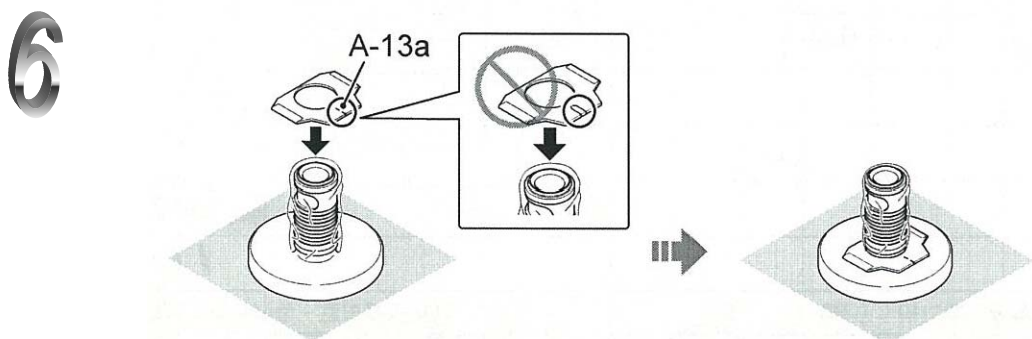
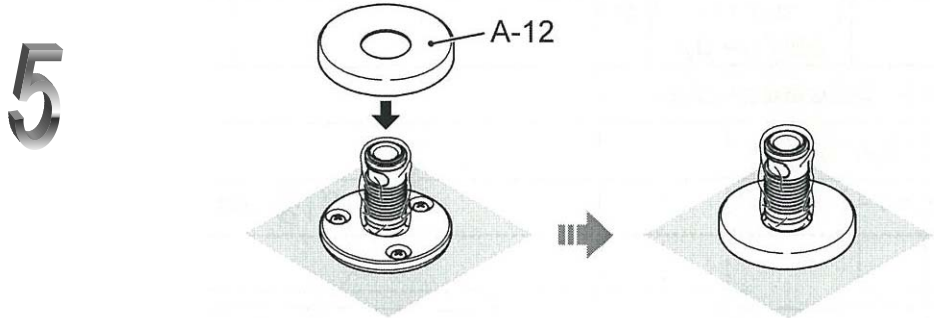
! Required

Check that the position of the hole is not in a hollow part of the tile surface.  
● If it is hollow, please fix it in place using an adhesive tapping anchor.

# Installing the controller stand

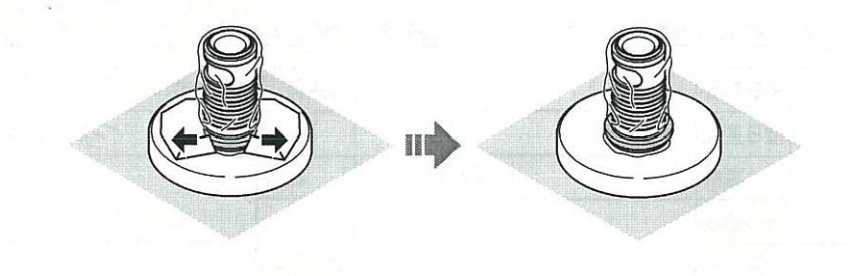


 CAUTION	
Prohibited	<p>Do not remove the protective sheet on the base.</p> <ul style="list-style-type: none"> <li>• Doing so could cause problems or make the unit malfunction, due to debris or damage to the O-ring.</li> <li>• This will make it more difficult to install the slip ring and could bend or damage the slip ring.</li> </ul>

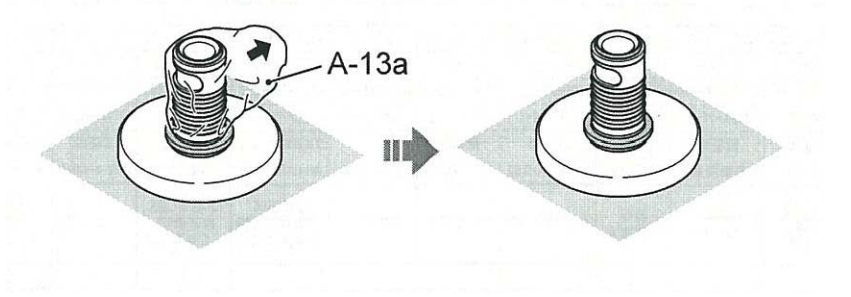


# Installing the controller stand

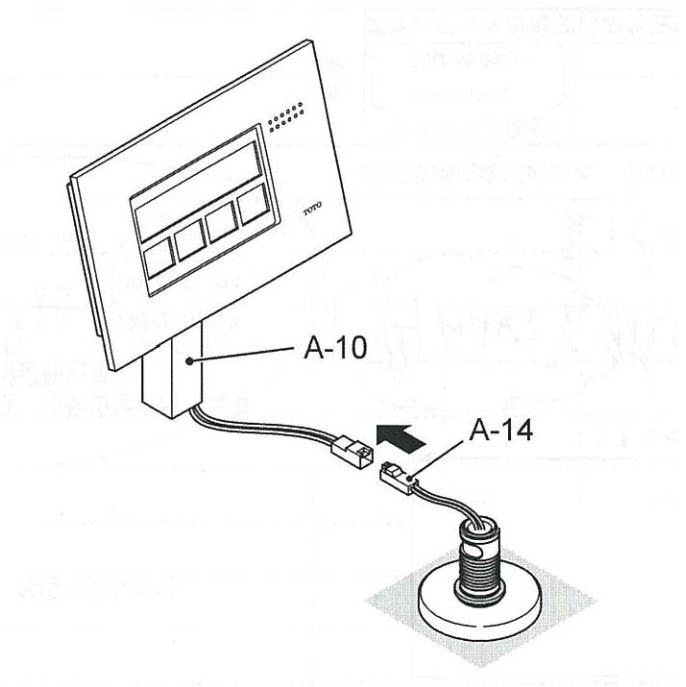
7



8

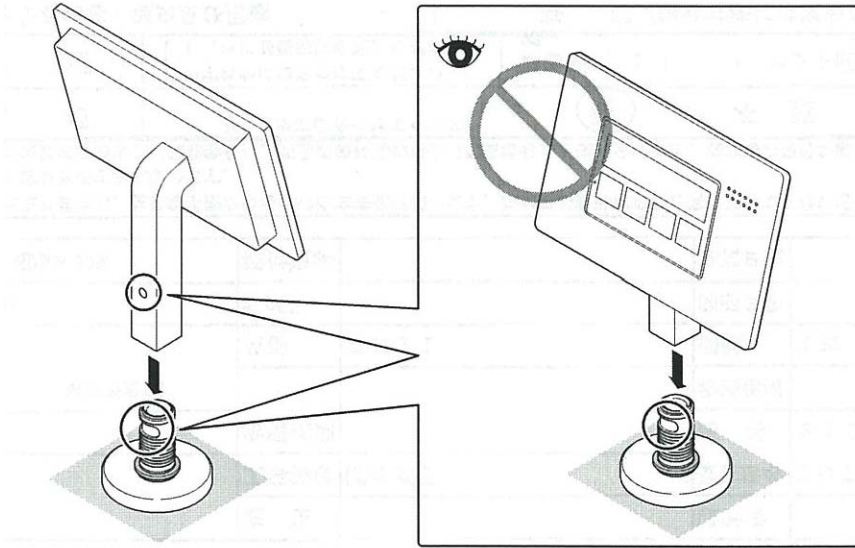


9

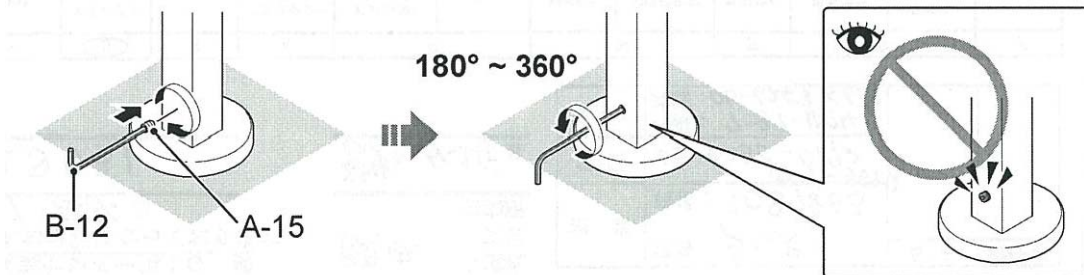


# Installing the controller stand

10




11



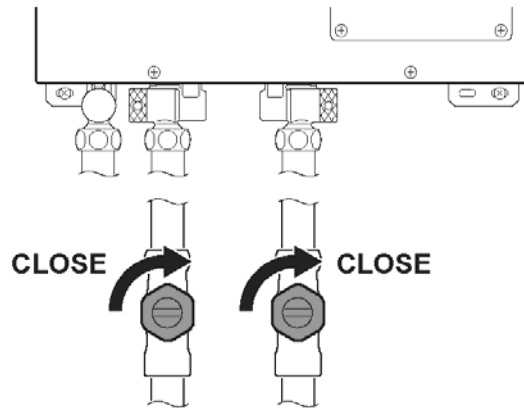


# Cleaning the filter in the water drain plug

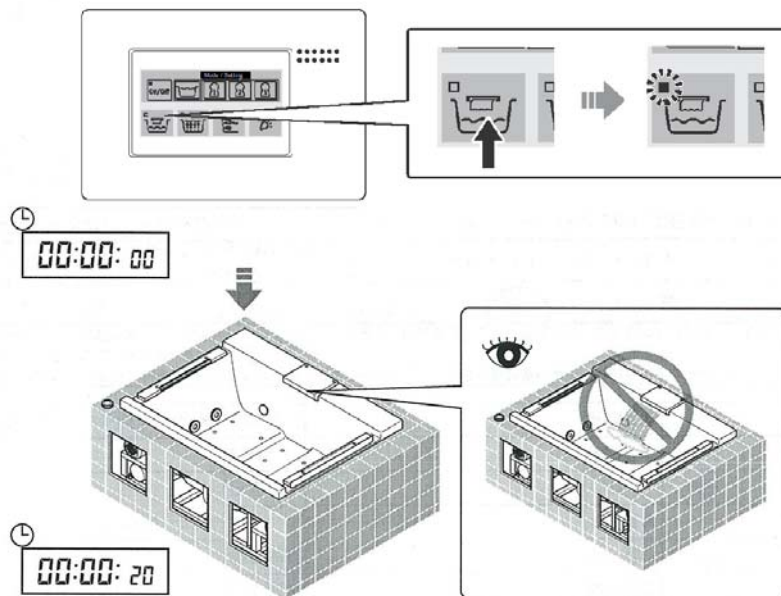
## ⚠ CAUTION

	<p>Debris in the plumbing will collect in the filter, so after connecting the plumbing and running water through it and after the trial operations, please be sure to clean the filter.</p>
<p>Required</p>	<p>If the products won't be delivered to the customer for a long time or if it will not be used for a long time, please remove the water from the function module and shut off the power. (See Instruction Manual.)</p>
	<p>Please wait until the equipment cools to avoid scalds or burns.          ●After the water has run out of the fill-tub outlet, the water inside the function module will still be quite hot.</p>
	<p>Hot and cold water will run out of the water drain plug, so please place a bucket or other container underneath the function module to catch the water.</p>

1

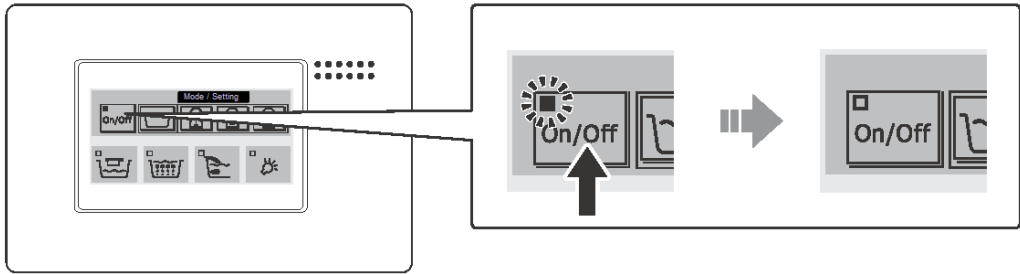


2

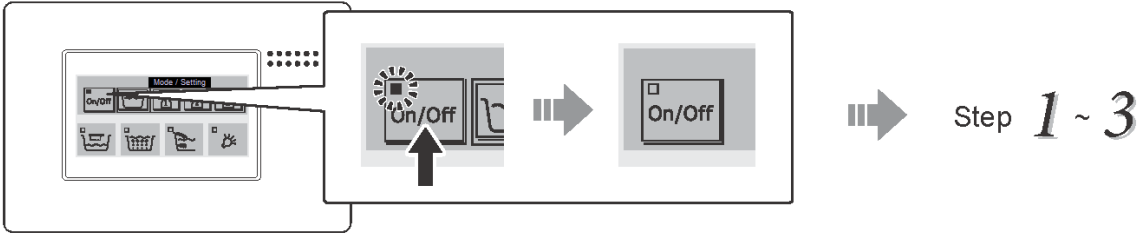


# Cleaning the filter in the water drain plug

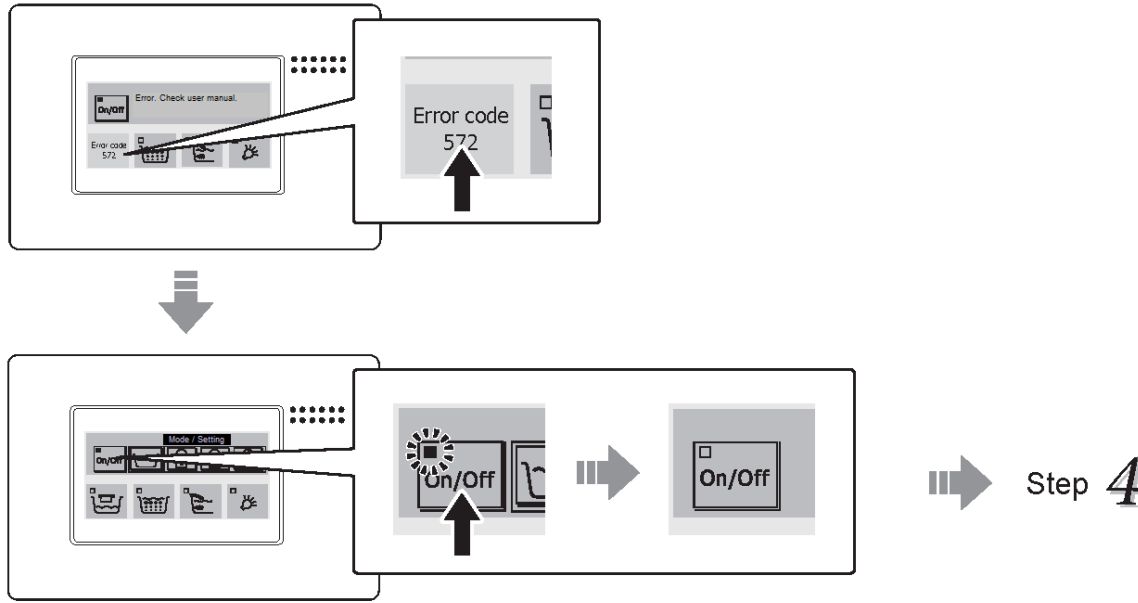
3



## If the water continues flowing

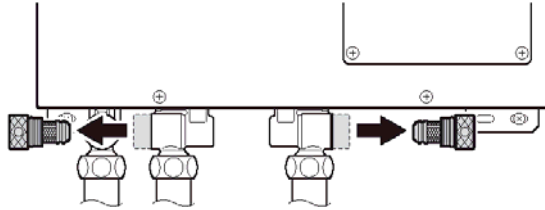


## If the controller displays error code 572



# Cleaning the filter in the water drain plug

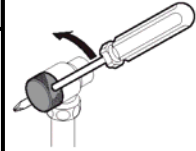
4



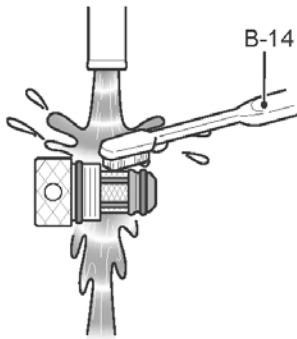
**CAUTION**

**!**  
Required

When the water drain lugs cannot be removed by turning them by hand, please put the end of a screwdriver or other tool in the hole in the water drain plug and use that to turn them.



5

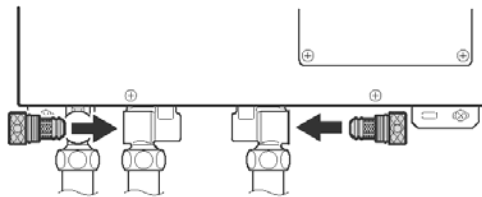


**CAUTION**

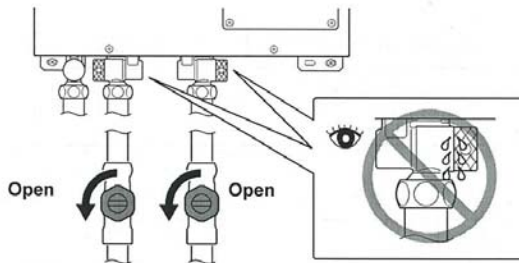
**!**  
Required

Keep debris from scratching or getting on the packing.  
 • Otherwise leaks could develop or debris could get inside the function module, causing problems.

6



7



# Error Codes

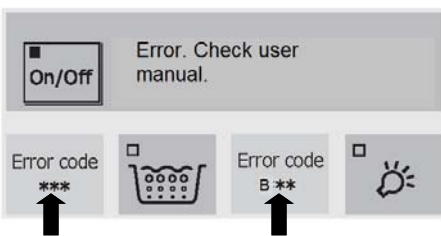
## When error codes are displayed



Error Code	Cause	Procedure
032	Open bathtub drain	Is the bathtub drain closed?
079	No hot water	Is there enough hot water coming from the water heater? - Please check the temperature and operating settings on the water heater.
152	Abnormal incoming water temperature	Is hot water being supplied to the function module's cold water connection? - Please check the plumbing connections to the water heater.
262	Water level sensor open circuit	Is the water sensor cable connected?
		Is there a break in the water sensor cable?
572	No water	Is the water main or shut off valve turned off?
B01 B02	Abnormality in the Hydro Hands/ shoulder warmer pump circuit	Stop using the equipment and request a service call.
Other	—	Please try it again, after resetting the error

## Error reset methods

You can reset errors by pressing the button that has displayed an error code.



# Error Codes

## If the error codes aren't displayed

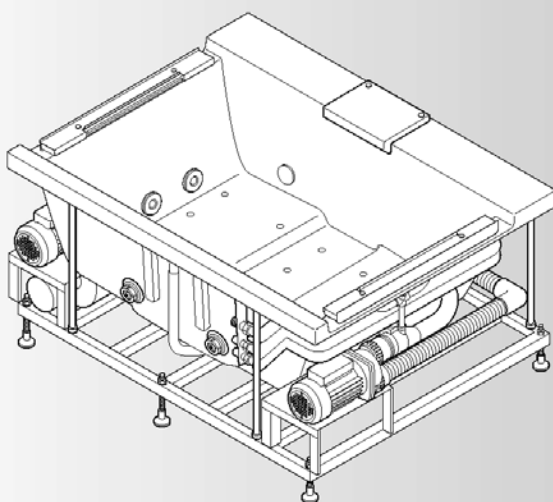
The lights on the controller don't work	Is the controller cable connected?
	Is the controller cable broken?
	Is the power supply reaching the function module?
Air blower doesn't function	Is the air pump cable connected?
	Is the air pump cable broken?
The underwater lighting doesn't turn on	Is the underwater lighting cable connected?
	Is the underwater lighting cable broken?

\* Please refer to the Instruction Manual concerning other problems.

# TOTO®

## NEOREST SE BAÑERA

### NEOREST



## Guía de instalación



Precauciones y advertencias.....	2
Antes de instalar su NEOREST.....	5
Piezas incluidas.....	8
Herramientas necesarias.....	10
Especificaciones.....	11
Diagramas de dimensiones.....	13
Procedimiento de instalación.....	15
Significado de las indicaciones.....	15
Construcción de una base para la bañera.....	16
Instalación del módulo de función.....	20
Prueba de funcionamiento.....	24
Acabado.....	34
Instalación del soporte del controlador.....	37
Limpieza del filtro.....	41
Códigos de error.....	44

### A los contratistas de la instalación:



Si es posible, explique al cliente las funciones de la bañera NEOREST y cómo usarlas. En edificios nuevos u otros lugares donde habría un plazo de tiempo significativo hasta que el cliente utilice el producto, corte la entrada de energía.




# Precauciones y advertencias

Antes de instalar su NEOREST, asegúrese de leer las siguientes instrucciones de instalación. Instale el producto solo según lo descrito en esta guía. Siga todas las precauciones y advertencias de seguridad.


 <b>ADVERTENCIA</b>	Cuando esto aparece junto a un tema, indica que el uso incorrecto podría provocar la muerte o lesiones graves.	 <b>PRECAUCIÓN</b>	Cuando esto aparece junto a un tema, indica que el uso incorrecto podría provocar lesiones o daño físico.
---	--	--	---

Ejemplo de sím-

	Este símbolo indica algo que está prohibido.		Este símbolo indica algo que se debe hacer.
---	--	---	---



 <b>ADVERTENCIA</b>	
 Prohibido	<p><b>No instale la bañera con la superficie del borde como único apoyo.</b></p> <ul style="list-style-type: none"> <li>• Esto puede causar daños.</li> </ul> <p><b>No se apoye sobre la bañera mientras trabaja.</b></p> <ul style="list-style-type: none"> <li>• Esto puede hacer que se resbale y se caiga o podría dañar el producto.</li> </ul> <p><b>Solo arme las piezas entregadas o indicadas. No cambie esas piezas.</b></p> <ul style="list-style-type: none"> <li>• En particular, no cambie las dimensiones.</li> </ul> <p><b>No instale el módulo de función en un lugar húmedo, como un baño o un lugar propenso a las inundaciones.</b></p> <ul style="list-style-type: none"> <li>• De lo contrario, podrían producirse problemas en el producto o descargas eléctricas.</li> </ul>
 Necesario	<p><b>Instale con firmeza y según la Guía de instalación.</b></p> <ul style="list-style-type: none"> <li>• La instalación incorrecta puede provocar descargas eléctricas o incendios. Además, podría causar fugas de agua que dañen o arruinen lo que hay en la casa.</li> </ul> <p><b>Instale los tubos de drenaje con firmeza y según el procedimiento.</b></p> <ul style="list-style-type: none"> <li>• La instalación incorrecta podría provocar fugas que dañen o arruinen lo que hay en la casa.</li> </ul> <p><b>Después de abrir la empaquetadura, deseche inmediatamente los materiales de embalaje no deseados.</b></p> <ul style="list-style-type: none"> <li>• Hay riesgo de lesiones con el marco de madera, los clavos, las cajas de cartón, las bolsas de vinilo o las correas de sellado. Además, asegúrese de que los niños no jueguen con los materiales del embalaje, ya que esto podría provocar asfixia u otros accidentes.</li> </ul> <p><b>Todas las operaciones relacionadas con el sistema eléctrico debe implementarlas un electricista certificado.</b></p> <ul style="list-style-type: none"> <li>• El funcionamiento inadecuado podría causar daño físico o daños a los materiales.</li> </ul> <p><b>Todo el equipo eléctrico conectado a la bañera debe estar ajustado con un interruptor de circuito de falla a tierra (ground fault circuit interrupter, GFCI).</b></p>

 **ADVERTENCIA**

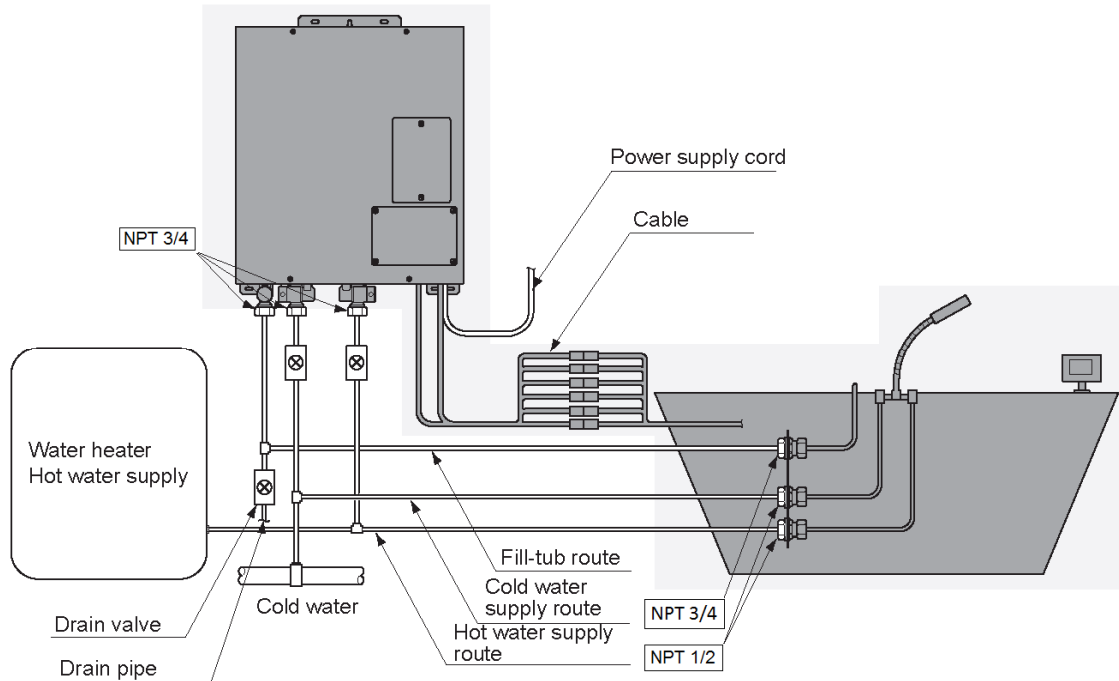
 Necesario	<b>La bañera debe conectarse al suministro de agua potable.</b>
	<b>El cable a tierra debe conectarse sin fallas.</b>
	<b>Realice una ecualización de potencial y conecte el enchufe al marco de la bañera.</b> <ul style="list-style-type: none"><li>• Una conexión a tierra inadecuada puede hacer que queden bucles de tierra.</li></ul>
	<b>El voltaje utilizado debe ser el voltaje de CA especificado.</b> <ul style="list-style-type: none"><li>• El uso de un voltaje diferente podría causar daños al equipo, funcionamiento incorrecto o incendio.</li></ul>
	<b>Después de la instalación, pruebe el interruptor de circuito de falla a tierra (GFCI) que protege este aparato y verifíquelo periódicamente según las instrucciones del fabricante.</b> <ul style="list-style-type: none"><li>• Un GFCI que funcione de manera incorrecta podría provocar descargas eléctricas o incendios.</li></ul>
	<b>Asegúrese de que el equipo esté instalado en un lugar estable con resistencia suficiente para soportar cargas, según se establece en la Guía de instalación.</b> <ul style="list-style-type: none"><li>• La instalación incorrecta podría hacer que el equipo se caiga y provoque lesiones.</li></ul>
	<b>Cuando instale el módulo de función con un listón de metal o un apoyo de listón para el cable, asegúrese de no conectar el módulo de función y el apoyo de manera eléctrica.</b> <ul style="list-style-type: none"><li>• Esto podría provocar descargas eléctricas, recalentamientos o incendios.</li></ul>
	<b>Cuando conecte el cableado, asegúrese de que el suministro eléctrico no esté encendido.</b> <ul style="list-style-type: none"><li>• Esto podría provocar descargas eléctricas.</li></ul>
	<b>Los componentes electrónicos deben instalarse fuera del alcance de los usuarios en el cuarto de baño. (Sin embargo, esta regla no se aplica a componentes de suministro de voltaje ultrabajo de 12 V o menos, como controladores remotos.)</b> <ul style="list-style-type: none"><li>• De lo contrario, podría producirse una descarga eléctrica.</li><li>• Los módulos de función no deben instalarse en el cuarto de baño.</li></ul>
	<b>Los componentes electrónicos deben colocarse de manera tal que no caigan en la bañera.</b> <ul style="list-style-type: none"><li>• De lo contrario, podría producirse una descarga eléctrica.</li><li>• Los módulos de función no deben instalarse en el cuarto de baño.</li></ul>
<b>Asegúrese de adoptar una posición de trabajo ergonómica durante el transporte y el montaje.</b> <ul style="list-style-type: none"><li>• Tenga cuidado de realizar movimientos seguros en todas las etapas. Permita que otras personas lo ayuden para evitar el riesgo de accidentes o lesiones.</li></ul>	
<b>Cumpla con las reglamentaciones locales vigentes sobre construcción y prevención de accidentes, así como con las reglas de protección sanitaria y ambiental durante la instalación.</b>	



 **PRECAUCIÓN**

 Prohibido	<b>No coloque ningún elemento pesado sobre la bañera ni ningún otro elemento en la bañera para apoyarlo.</b> <ul style="list-style-type: none"><li>• Esto puede causar daños.</li></ul>
	<b>No deje caer objetos pesados o duros en la bañera.</b> <ul style="list-style-type: none"><li>• Pueden producirse lesiones debido a grietas en la bañera o las fugas de agua pueden contaminar o arruinar lo que hay en la casa.</li></ul>
	<b>Mantenga alejadas las fuentes de calor.</b> <b>No fume.</b> <ul style="list-style-type: none"><li>• De lo contrario, existe riesgo de daños.</li></ul>
	<b>No instale la bañera al aire libre o en un lugar donde pueda estar constantemente expuesta a la luz solar (por ejemplo, en un solarío).</b> <ul style="list-style-type: none"><li>• De lo contrario, existe riesgo de daños por heladas o decoloración.</li></ul>
	<b>No doble las mangueras ni los cables.</b>
	<b>Cuando transporte la bañera, no la tome por las mangueras ni la fontanería y no la golpee con objetos duros.</b>
 Necesario	<b>Al abrir la caja, verifique que la bañera y las piezas suministradas no estén dañadas. No use las piezas que estén dañadas.</b> <ul style="list-style-type: none"><li>• Reemplace las piezas dañadas.</li></ul>
	<b>Si instala el producto en un lugar donde se prevé daño por fugas de agua del módulo de función, asegúrese de impermeabilizar el piso.</b> <ul style="list-style-type: none"><li>• Si hubiera alguna fuga, podría dañar el piso o los pisos de abajo.</li></ul>
	<b>No quite la lámina protectora de la bañera hasta que la instalación esté completa.</b>
	<b>Asegúrese de que la bañera pueda utilizarse y mantenerse correctamente.</b> <ul style="list-style-type: none"><li>• Preste atención a la salpicadura de agua de los calentadores de hombros bloqueados.</li></ul>
	<b>Verifique si hay fugas una vez que la instalación esté completa.</b> <ul style="list-style-type: none"><li>• Cierre el suministro de agua si descubre cualquier fuga y repárela de inmediato.</li></ul>

# Antes de instalar su NEOREST



- **El módulo de función no debe instalarse en el cuarto de baño.**

Además, el módulo de función no es impermeable y no debe instalarse al aire libre.

Asegúrese de instalar el módulo de función adentro, en otro lugar que no sea el baño.

- **El módulo de función requiere un suministro de agua caliente con una temperatura de al menos 140 °F (60 °C). (No más de 158 °F (70 °C))**

Si la temperatura del suministro de agua caliente es demasiado baja, no será posible llenar la bañera a la configuración de temperatura del controlador. El módulo de función mezcla el suministro de agua caliente y fría y hace correr agua caliente fuera de la salida de llenado de la bañera, de manera tal que la temperatura del agua que fluye hacia afuera será inferior a la temperatura del agua que se suministra al módulo de función.

- **La presión del agua caliente y fría suministradas al módulo de función debe ser de al menos 29 psi (0,20 MPa) (en el flujo). (No más de 108,75 psi (0,75 MPa))**

La diferencia de la presión de agua entre el agua fría y el agua caliente debe ser tal que el agua fría se mantenga más alta y dentro de 14,5 psi (0,10 MPa). Si la presión es baja, el agua no fluirá como una cascada. Además, la bañera tardará más tiempo en llenarse con agua caliente.

- **Especificaciones del equipo de suministro**

Presión del suministro: 29 a 108,75 psi (0,20 a 0,75 MPa)

Temperatura del suministro: 140 a 158 °F (60 a 70 °C)

Uso de agua caliente:

Temperatura máxima de 113 °F (60 °C)

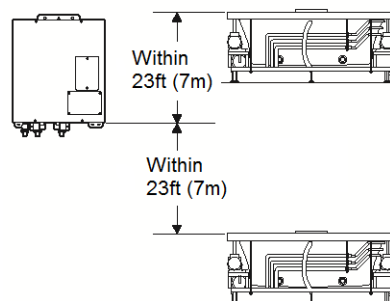
Índice de flujo máximo de 9,2 gpm (35 l/min)

Capacidad máxima aproximada de 144 galones (545 l)

- El diámetro del conector del módulo de función es NPT 3/4. El diámetro de la tubería no debe ser más pequeño que el diámetro del conector al módulo de función. El uso de equipos por debajo de la capacidad total podría causar problemas para el cliente.
- Use un sellador en la junta de la rosca cónica.
- Es necesario que haya espacio entre el extremo de la manguera de drenaje y el drenaje. En caso contrario, podría haber un reflujo de agua.
- **Conexión del suministro eléctrico** La entrada de energía eléctrica del módulo de función debe conectarse a la salida de energía eléctrica instalada en forma permanente (cable).

## Lugares para la instalación del módulo de función

- Instale el módulo de función adentro, en otro lugar que no sea el baño.
- Deje un espacio de al menos 24 pulgadas (600 mm) en la parte delantera del equipo para que se puedan realizar inspecciones o reparaciones. Además, no lo ubique en una pared de segundo piso o cualquier otro lugar al que no se pueda tener acceso.
- Tenga en cuenta lo siguiente en el momento de decidir dónde ubicar el módulo de función. La longitud de los cables que conducen al equipo (bombas y similares) que se instalarán con la bañera es de 49 pies (15 m).
- Si la instalación de la bañera se realiza en el piso de abajo, el módulo de función debe estar dentro de los 23 pies (7 m) de la parte superior de la bañera.
- Si la instalación de la bañera se realiza en el piso de arriba, el módulo de función debe estar dentro de los 23 pies (7 m) de la parte superior de la bañera. En ese caso, la presión de agua suministrada debe ser de 29 psi (0,20 MPa) por encima de la presión superior.
- Asegúrese de instalarla en una pared vertical.
- La fontanería que se conecta al equipo debe instalarse de manera tal que no haya problemas de seguridad con respecto a terremotos, otras vibraciones o impacto físico y se debe utilizar material de enmasillado para sellar los puntos en los que el agua fría y caliente y las líneas de suministro eléctrico pasan por las paredes.



## Precauciones con tuberías

- Si los materiales de fontanería están especificados por las autoridades locales y nacionales correspondientes, debe cumplir con esas especificaciones.
- Asegúrese de purgar con agua limaduras, arena y suciedad del interior de las tuberías antes de conectar el módulo de función.
- Utilice una junta de unión o un medio similar en el puerto de conexión y no aplique demasiada fuerza.
- El diámetro del tubo no debe ser menor que el diámetro del conector del módulo de función (NPT 3/4).
- Cuando la presión de agua sea alta, instale una válvula reductora de presión o un dispositivo para evitar los “golpes de ariete”. (Presión de agua recomendada: 29 a 108,75 psi (0,20 a 0,75 MPa) Sin embargo, no se deben exceder los límites establecidos por las autoridades de fontanería locales y nacionales).
- Mantenga la menor cantidad de uniones que sea posible y no utilice fontanería complicada. Además, no realice la instalación de manera tal que pueda quedar aire atrapado en las tuberías.

### Fontanería con suministro de agua caliente y fría

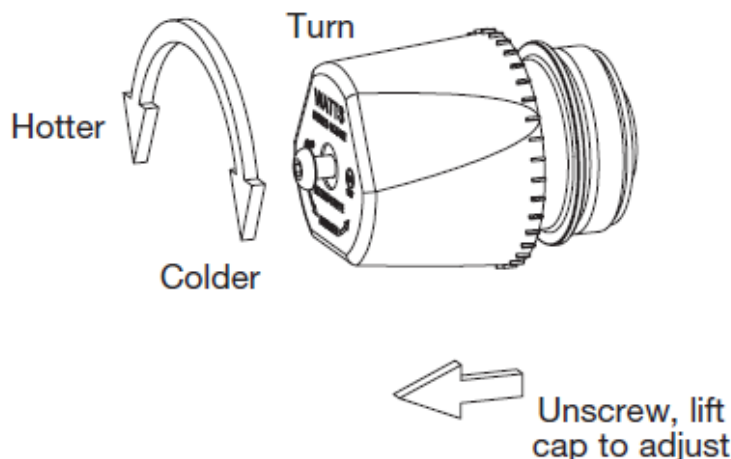
- Instale una válvula antigolpe, una válvula de cierre o una válvula de cierre con una válvula antigolpe cerca de los puertos de suministro de agua caliente o fría.
- Para que el cliente tenga una experiencia agradable con el uso de este equipo, se requiere una presión de suministro de agua fría y caliente de 29 a 108,75 psi (0,20 a 0,75 MPa). Si la presión de agua es baja, el equipo no funcionará correctamente y podría causar problemas con el cliente; por lo tanto, prepárese para instalar una bomba de refuerzo como contramedida.

### Fontanería de llenado de la bañera

- Los tubos que se utilizan con la función de llenado de la bañera deben tener una longitud máxima de 49 pies (15 m) y 10 cambios de dirección.
- Incline las tuberías para que sea más fácil quitar el agua de los tubos cuando se drene agua de las tuberías.

## Condiciones para la instalación de la ducha

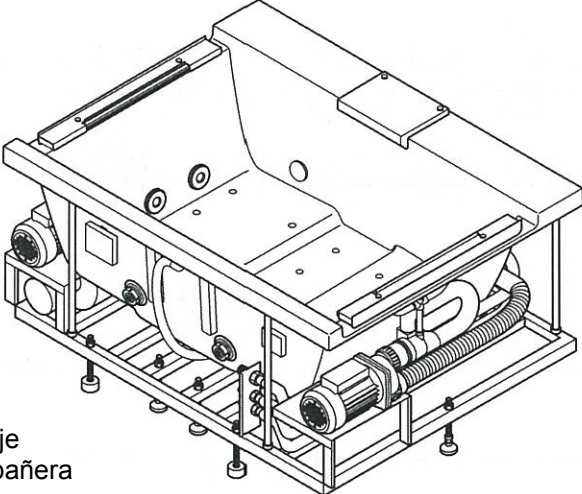
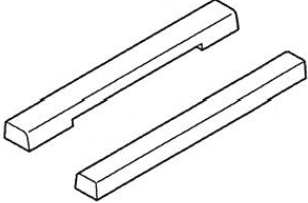
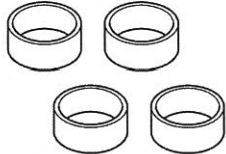









1. Confirmación de la presión de agua
  - Presión del suministro de agua caliente o fría:  
Presión de agua mínima requerida (en el flujo): 11,6 psi (0,08 MPa)  
Presión máxima de agua (cuando no fluye): 108,75 psi (0,75 MPa)
  - Si la presión del suministro de agua excede los 108,75 psi (0,75 MPa), reduzca la presión a aproximadamente 29 psi (0,20 MPa) utilizando una válvula de reducción de presión disponible en comercios.
2. Confirmación de la temperatura del suministro de agua caliente
  - Mantenga la temperatura del suministro de agua caliente por debajo de 158 °F (70 °C).
  - No **utilice vapor** en lugar de un suministro de agua caliente.
3. Fontanería
  - No **conecte el agua caliente y fría en sentido inverso**.
  - Instale el tubo de suministro de agua caliente a la distancia más corta posible del calentador de agua para reducir la resistencia.
4. Códigos locales y nacionales
  - Se exige el cumplimiento de todos los códigos locales y nacionales, los cuales tienen prioridad sobre los requisitos que figuran en este manual.
5. Válvula de templado (incluida)
  - La salida de agua caliente de la ducha estará limitada por la válvula de templado. La válvula de templado está preprogramada a 105 °F (41 °C)
  - Consulte los códigos para verificar el cumplimiento y haga los ajustes necesarios. La válvula de templado está ubicada debajo de la ducha cerca del marco de la bañera. A continuación se explica el método de ajuste.



1. Supply hot and cold water to the shower. Turn on only the hot water on the shower.
2. Let the water flow for at least two minutes to allow the supply temperature to stabilize.
3. Measure the outlet water temperature by placing a thermometer in the water stream.
4. To adjust the setting of the valve, loosen the locking cap screw, lift the cap at least 1/4" and turn. To increase the set temperature turn counterclockwise. To decrease the set temperature turn clockwise.
5. Lower the handle and tighten the screw.
6. Confirm the outlet water temperature.

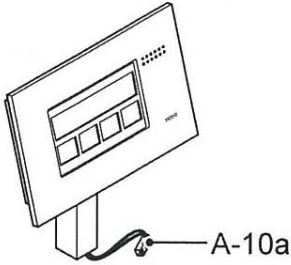
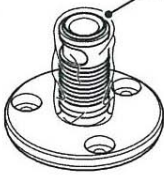
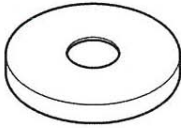
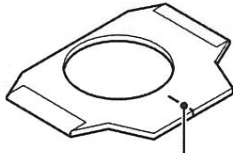

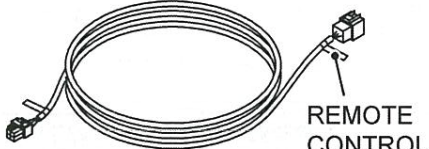

# Piezas incluidas

## ■ Bañera

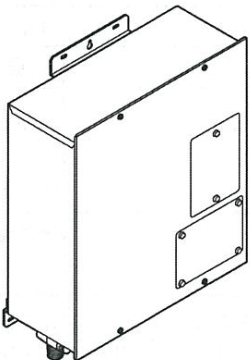
<p>A-1</p>  <p>Montaje de la bañera</p>	<p>A-2</p>  <p>Apoyos</p>		
<p>A-3</p> <p>Moldes de fijación de las patas de la bañera</p> 	<p>A-4</p> <p>Lámina de espuma de polietileno</p> 		
<p>A-5</p> <p>Mazos de cables para la conexión</p> <div style="display: flex; justify-content: space-around;"> <div data-bbox="418 947 708 1100"> <p>A-5a</p>  <p>AIR BLOWER</p> </div> <div data-bbox="870 947 1253 1100"> <p>A-5b</p>  <p>PUMP1 / PUMP 2</p> </div> </div> <div style="display: flex; justify-content: space-around; margin-top: 20px;"> <div data-bbox="289 1178 565 1346"> <p>A-5c</p>  <p>WATER SENSOR</p> </div> <div data-bbox="678 1178 964 1373"> <p>A-5d</p>  <p>UNDERWATER LIGHTING 1 / 2</p> </div> <div data-bbox="1078 1178 1370 1373"> <p>A-5e</p>  <p>WATER LEVEL SENSOR / REMOTE CONTROL</p> </div> </div>			
<p>Manual de instrucciones</p> <p>A-6</p> 	<p>Guía de instalación</p> <p>A-7</p> 	<p>Espátula de limpieza para la salida de agua del calentador de hombros</p> <p>A-8</p> 	

Los elementos A-6 y A-8 se deben entregar al cliente una vez que la instalación esté completa.

## ■ Soporte del controlador

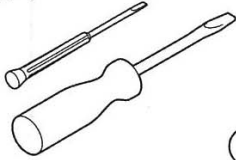
<p>A-10</p> <p>Montaje del soporte del controlador</p> 	<p>A-11</p> <p>A-11a</p>  <p>Montaje de la base</p>	<p>A-12</p> <p>Tapa de la base</p> 
<p>A-13</p> <p>Montaje del anillo colector</p>  <p>A-13a</p>	<p>A-15</p>  <p>M4 Tornillos de fijación</p>	
<p>A-14</p> <p>Mazo de cables del brazo del controlador</p>  <p>REMOTE CONTROL</p>	<p>A-16</p>  <p>4x30 Tornillos de montaje de la base</p>	

## ■ Módulo de función

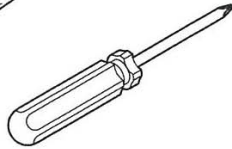
<p>A-17</p> 
---

# Herramientas necesarias

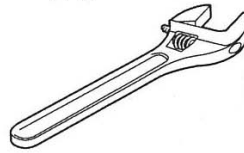
B-1



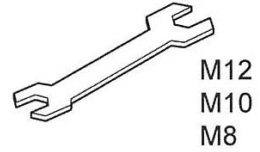
B-2



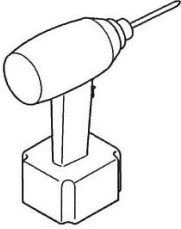
B-3



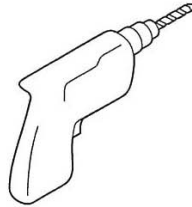
B-4



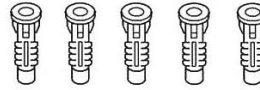
B-5



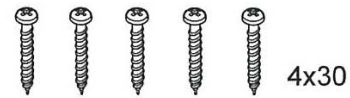
B-6



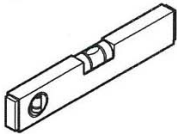
B-7



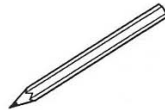
B-8



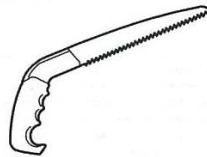
B-9



B-10



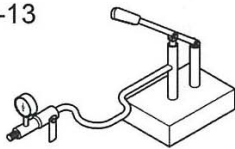
B-11



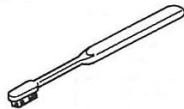
B-12



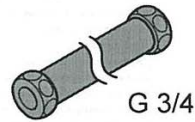
B-13



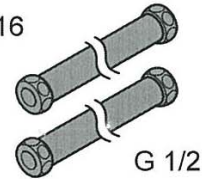
B-14



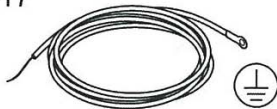
B-15



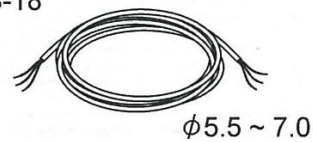
B-16



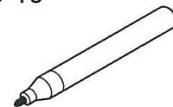
B-17



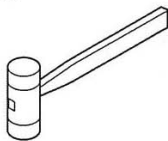
B-18



B-19



B-20



B-21



# Especificaciones

Bañera	Dimensiones		70 7/8" x 55 1/8" x 30 1/8" (1800 mm x 1400 mm x 765 mm) Incluye el marco sobre el que se apoya la bañera.		
	Peso		397 libras (180 kg)		
	Capacidad		151 galones (570 l) hasta la línea de rebose		
	Material		Mármol sintético de acrílico		
	Llenado de la bañera	Puertos de salida		Uno	
		Tasa de flujo de llenado de la bañera		Máx. 9,2 gpm (35 lpm) (controlado por el módulo)	
	Soplador de aire	Cantidad de surtidores		15 en la parte inferior de la bañera	
		Volumen de aire		Máx. 148 gpm (560 lpm) (15 en total, controlado por el módulo de función)	
	Calentador de hombros (cascada)	Puertos de entrada		Dos	
		Puertos de salida		Dos	
		Tasa de flujo		Máx. 10 gpm (38 lpm) (2 en total)	
	HydroHands	Puertos de entrada		Dos	
		Puertos de salida		Cuatro	
		Tasa de flujo		Máx. 40 gpm (150 lpm) (4 en total)	
	Iluminación bajo el agua	Módulos de iluminación		Dos	
		Colores		Tres tipos de patrones, 10 colores individuales	
	Ducha (dos perillas)	Usos		Limpieza de la bañera	
		Presión de agua	Presión de agua mínima requerida (en el flujo)		11,6 psi (0,08 MPa)
			Presión de agua máxima (cuando no fluye)		108,75 psi (0,75 MPa)
Temperatura de entrada de agua		Caliente		Controlado por la válvula de templado (incluida)	
		Fría		De 32 a 86 °F (de 0 a 30 °C) sin congelamiento	
Diámetro de rosca de las conexiones		Caliente		NPT 1/2	
		Fría		NPT 1/2	
Diámetro de rosca de las conexiones para llenar la bañera			NPT 3/4		

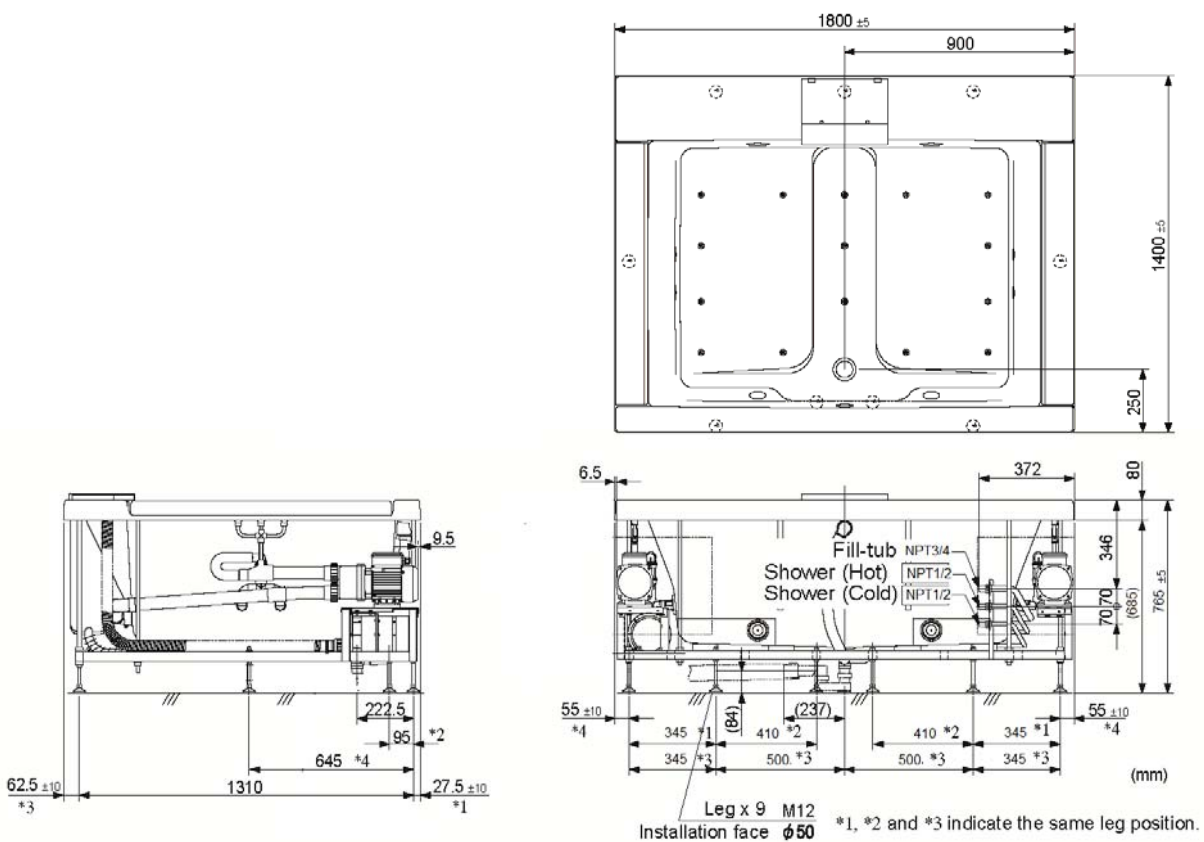


## Especificaciones (continuación)

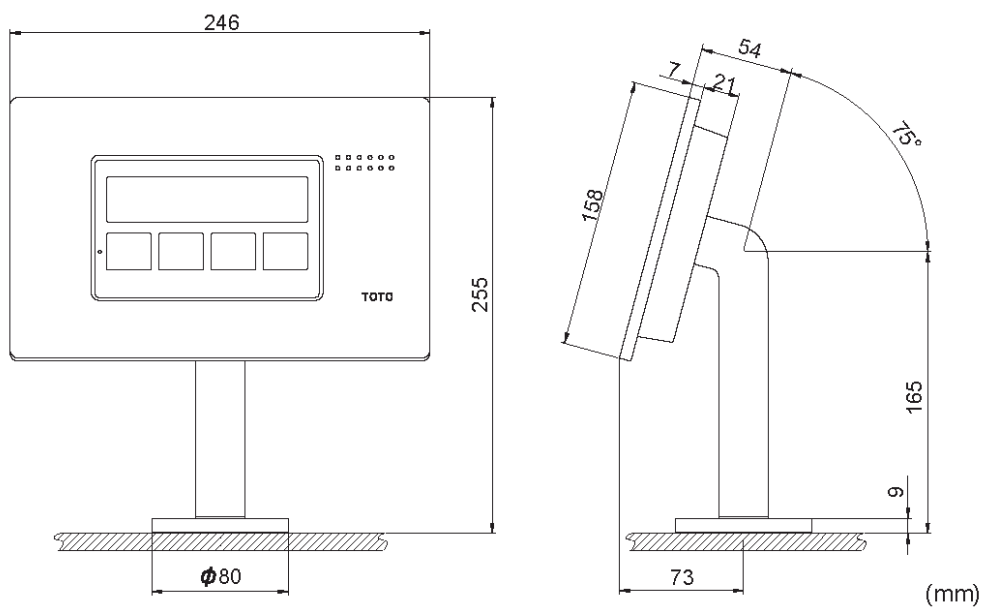
Soporte del controlador	Dimensiones		9 11/16" x 4 7/16" x 10 1/16" (246 mm x 113 mm x 255 mm)
	Peso		6 libras (2,8 kg) incluido el controlador
	Arco ajustable		90°
Módulo de función	Dimensiones		16 5/8" x 7 1/16" x 18 3/4" (422 mm x 180 mm x 476 mm) La altura externa no incluye los puertos de conexión.
	Peso		31 libras (14 kg)
	Tensión nominal		120 V CA
	Frecuencia nominal		60 Hz
	Corriente nominal		14,3 A
	Consumo de energía nominal		1490 W
	Consumo de energía de reserva		7,0 W
	Lugar de instalación		Interior (lugar sin condensación, humedad ni congelamiento: no en el baño)
	Presión de agua	Presión de agua mínima requerida (en el flujo)	29 psi (0,20 MPa)
		Presión de agua máxima (cuando no fluye)	108,75 psi (0,75 MPa)
	Temperatura de entrada de agua	Caliente	De 140 a 158 °F (de 60 a 70 °C)
		Fría	De 32 a 86 °F (de 0 a 30 °C) sin congelamiento
	Diámetro de rosca de las conexiones	Caliente	NPT 3/4
		Fría	NPT 3/4
		Llenado de la bañera	NPT 3/4
Dispositivo de seguridad		Dispositivo de prevención de funcionamiento continuo, dispositivo de protección contra sobrecorriente, interruptor de circuito de falla a tierra (ground-fault circuit interrupter, GFCI)	

# Diagramas de dimensiones

## ■ Bañera

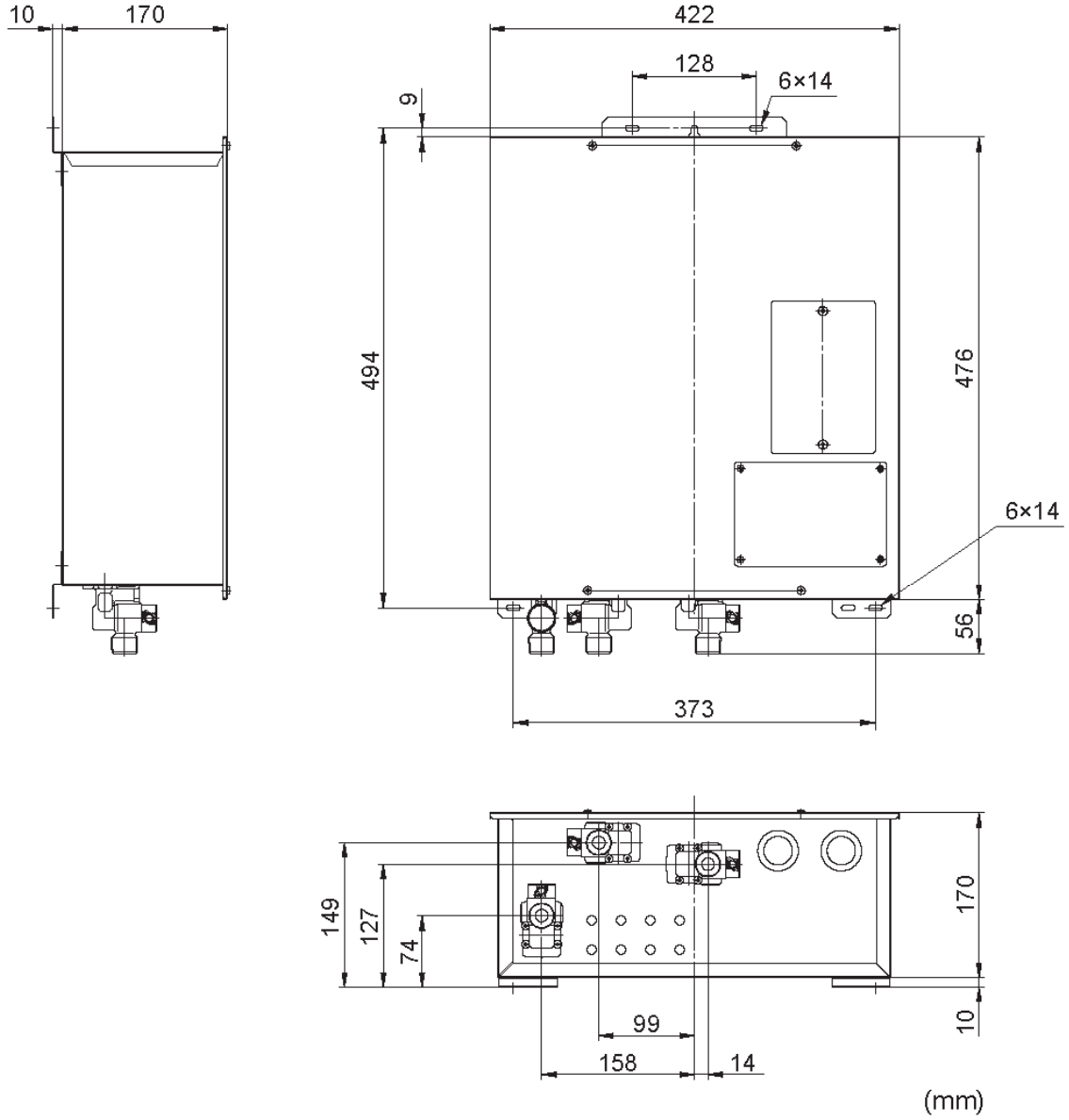


## ■ Soporte del controlador



# Diagramas de dimensiones (continuación)

## ■ Módulo de función



## Procedimiento de instalación

Construcción de una base para la bañera - disposición de la bañera ▶ Consulte la página 16



Instalación del módulo de función ▶ Consulte la página 20



Prueba de funcionamiento ▶ Consulte la página 24  
●Códigos de error ▶ Consulte la página 44



Acabado ▶ Consulte la página 34



Instalación del soporte del controlador ▶ Consulte la página 37



Limpeza del filtro en la orejeta de drenaje de agua ▶ Consulte la página 41

## Significado de las indicaciones



: Task that must be conducted by the installer



: Action that the NEOREST should perform automatically

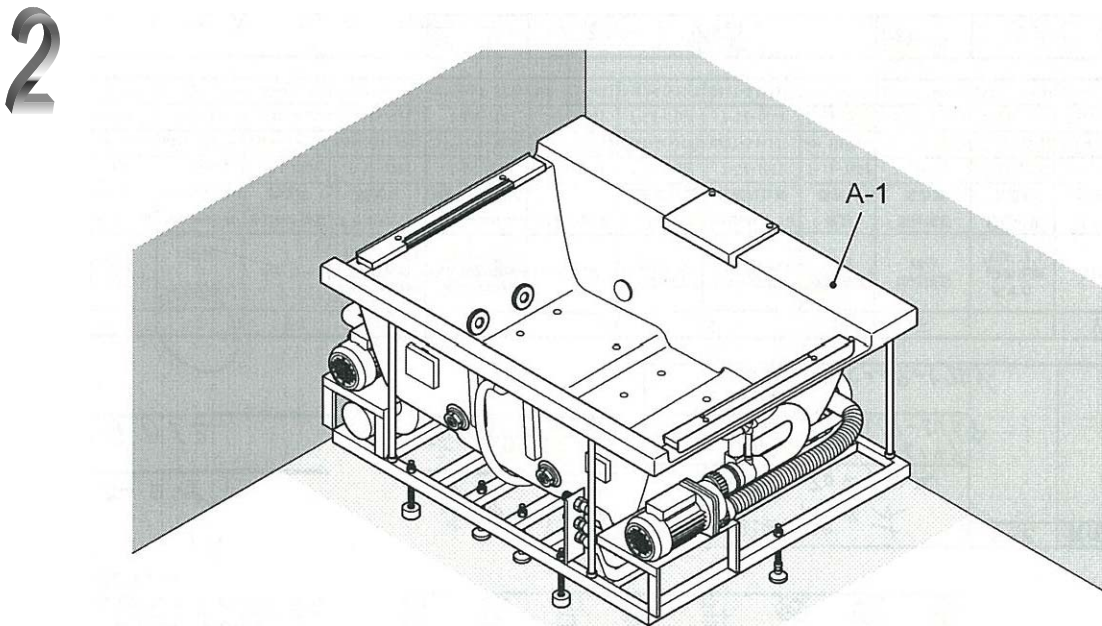
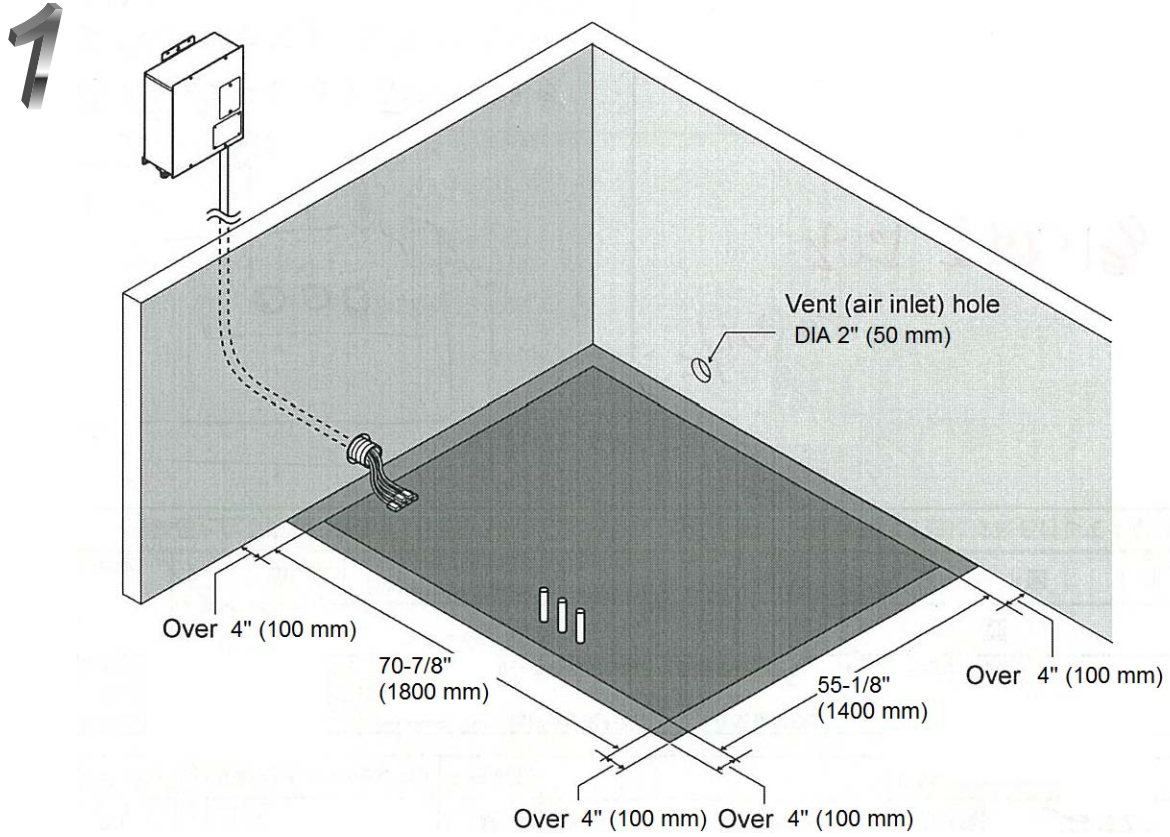


: Work that requires confirmation



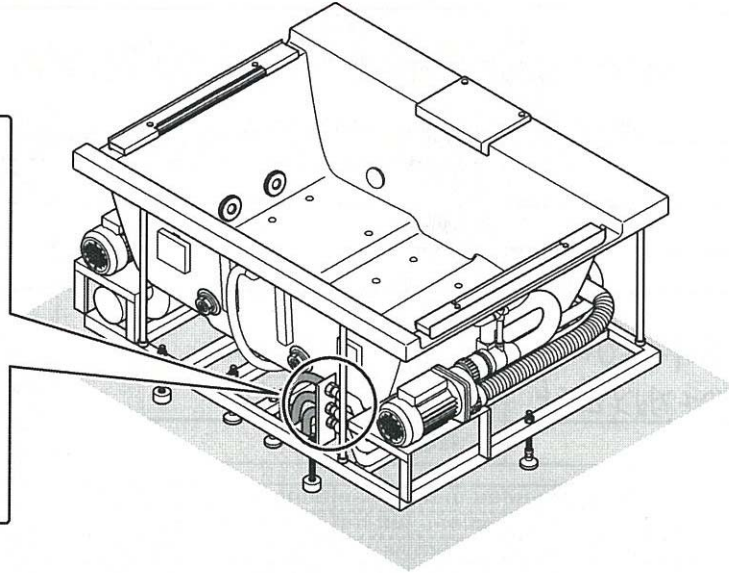
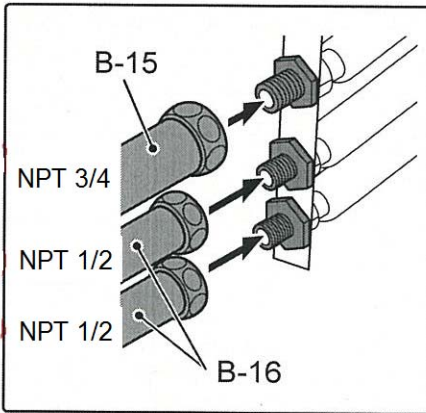
: Shows the work sequence

# Construcción de una base para la bañera - disposición de la bañera

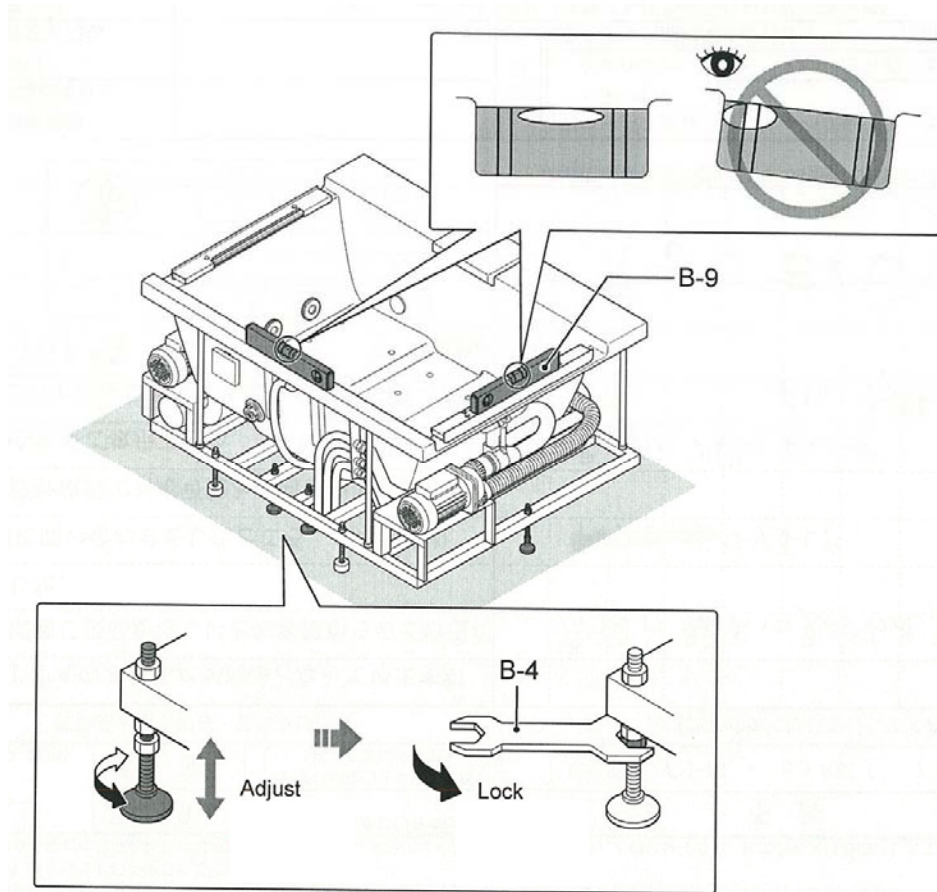


# Construcción de una base para la bañera - disposición de la bañera

## 3

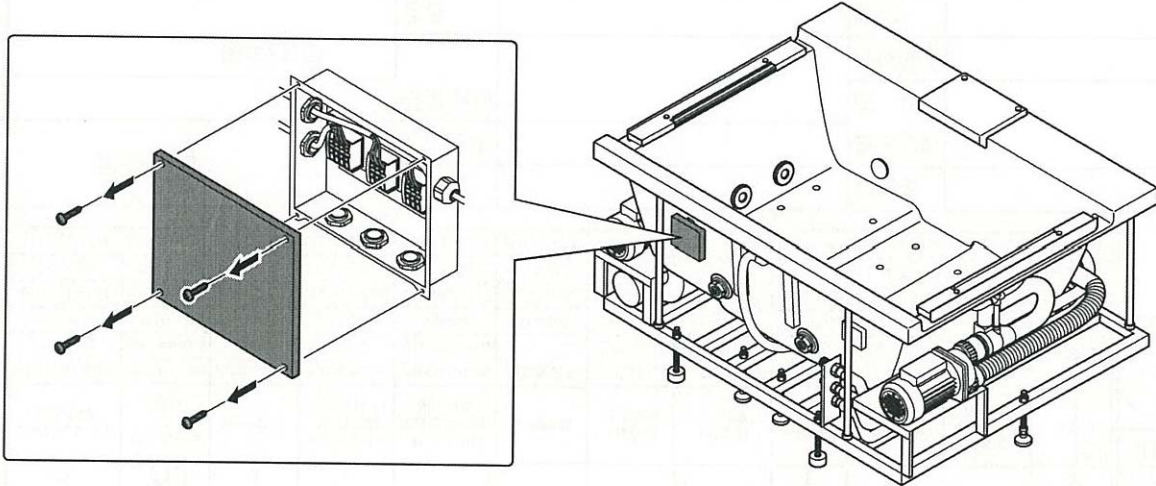


## 4

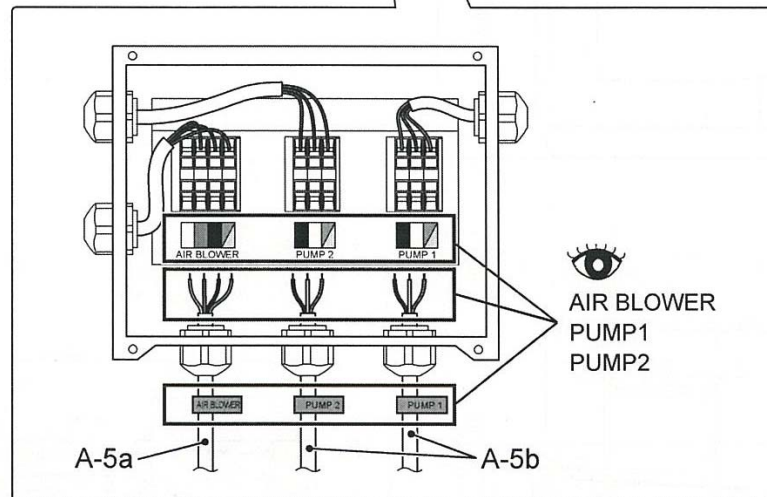
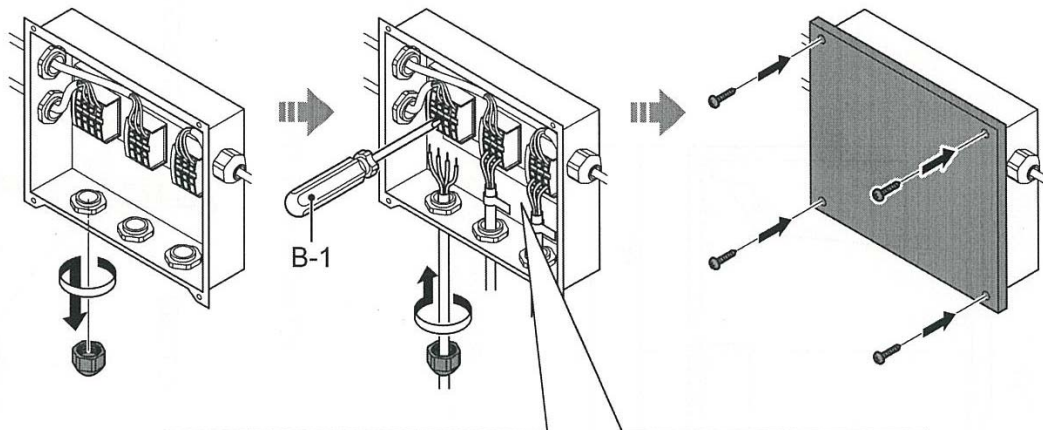


# Construcción de una base para la bañera - disposición de la bañera

5

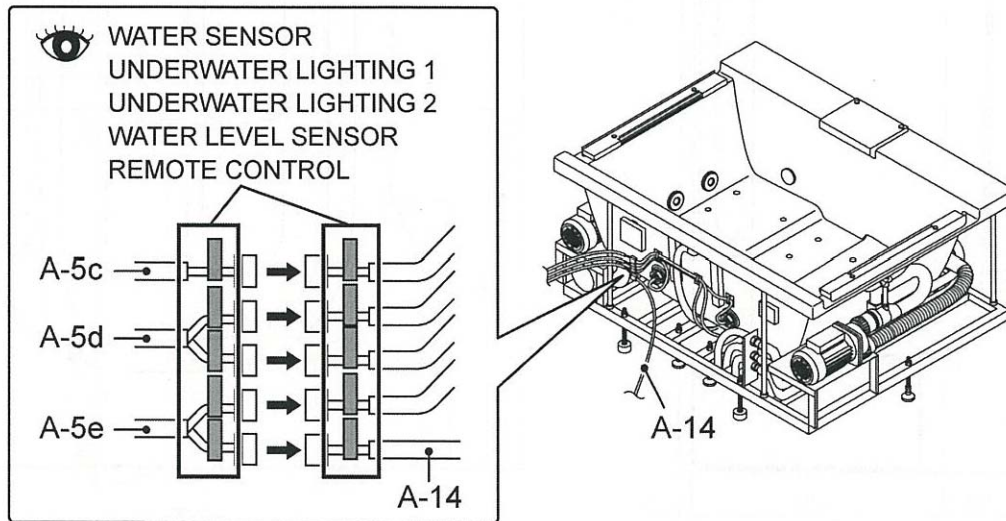


6

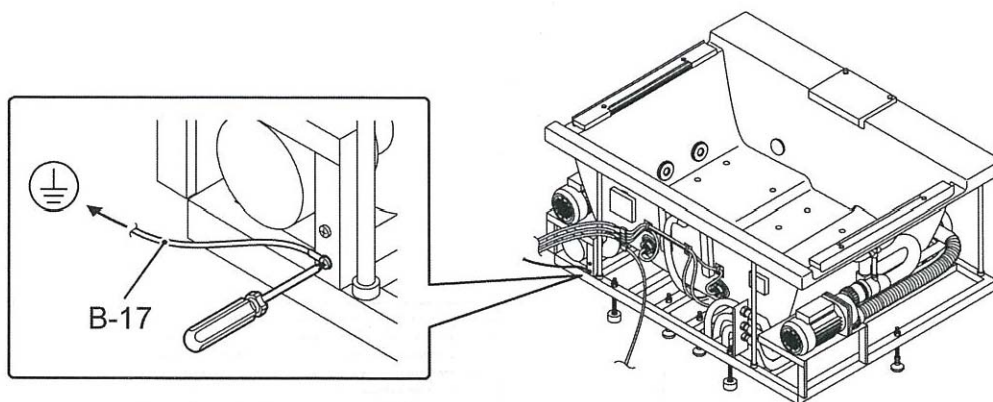


# Construcción de una base para la bañera - disposición de la bañera

7



8

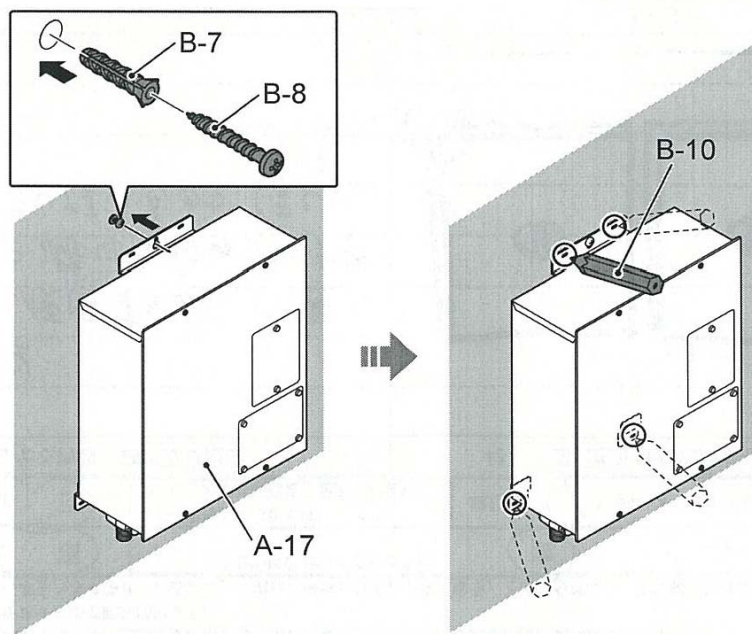




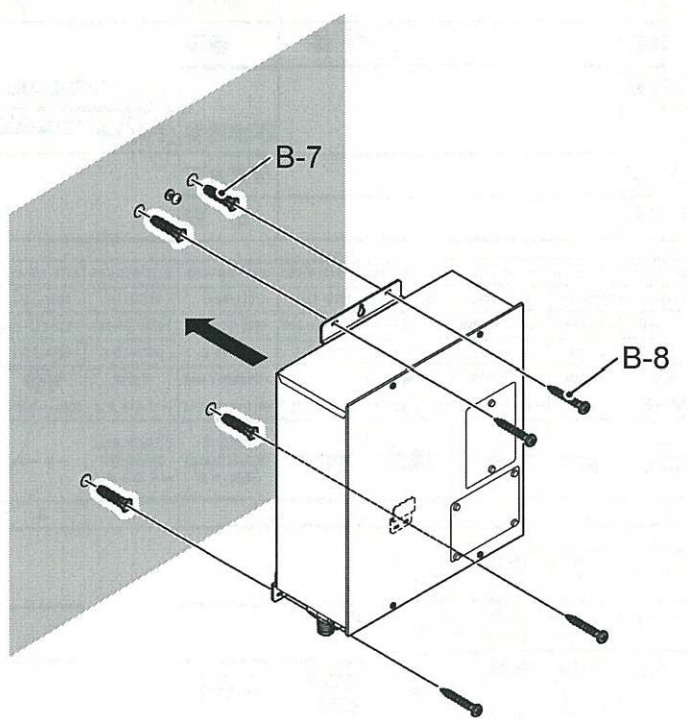
# Instalación del módulo de función

1

Install indoors (Not in the bathroom)



2



# Instalación del módulo de función

## 3

### ■ Revise si hay fugas en la fontanería de llenado de la bañera

#### ⚠ PRECAUCIÓN

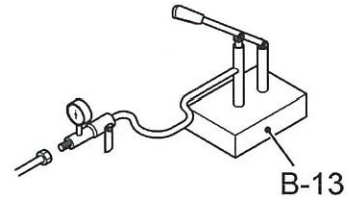


Prohibido

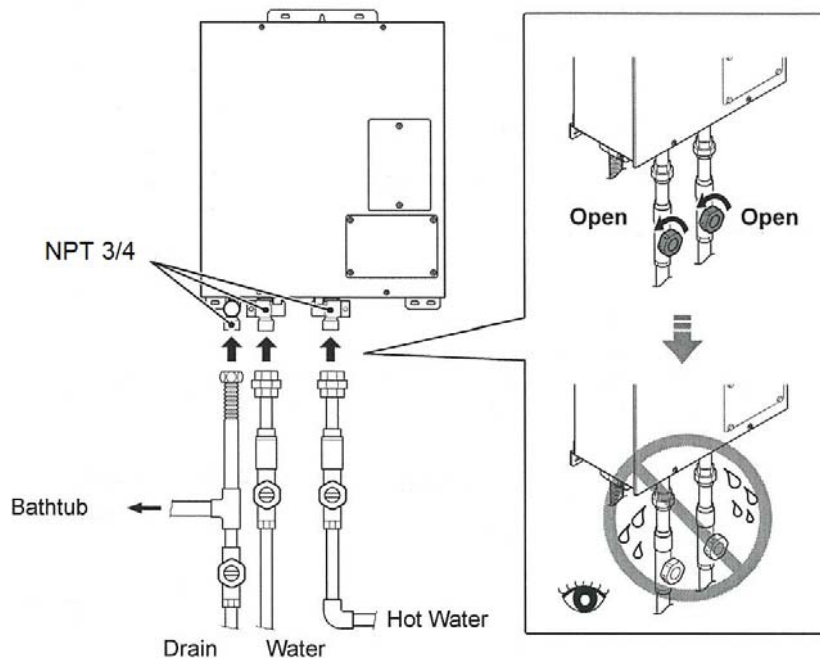
No aplique presión adicional en el equipo.

- Presión y tiempo de la inspección: 43,5 psi (0,30 MPa) durante cinco minutos o más.

1. Instale una válvula en un extremo de la fontanería de llenado de la bañera. (Válvula abierta.)
2. Instale una bomba de refuerzo en el otro extremo para colocar agua en la fontanería de llenado de la bañera.
3. Una vez que se haya quitado el aire de la fontanería de llenado de la bañera y se haya llenado con agua, cierre la válvula instalada.
4. Revise si hay fugas.
  - Utilice un medidor de presión que se adapte a la presión que se está verificando cuando inspeccione la presión.
  - Asegúrese de que no haya fugas ni caídas de presión en el indicador.
5. Si se descubren fugas de presión, haga la prueba nuevamente después de reparar las áreas con fugas.



## 4



#### ⚠ PRECAUCIÓN

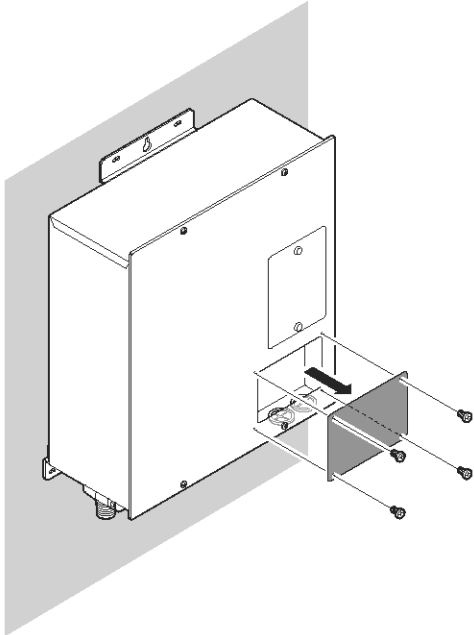


Necesario

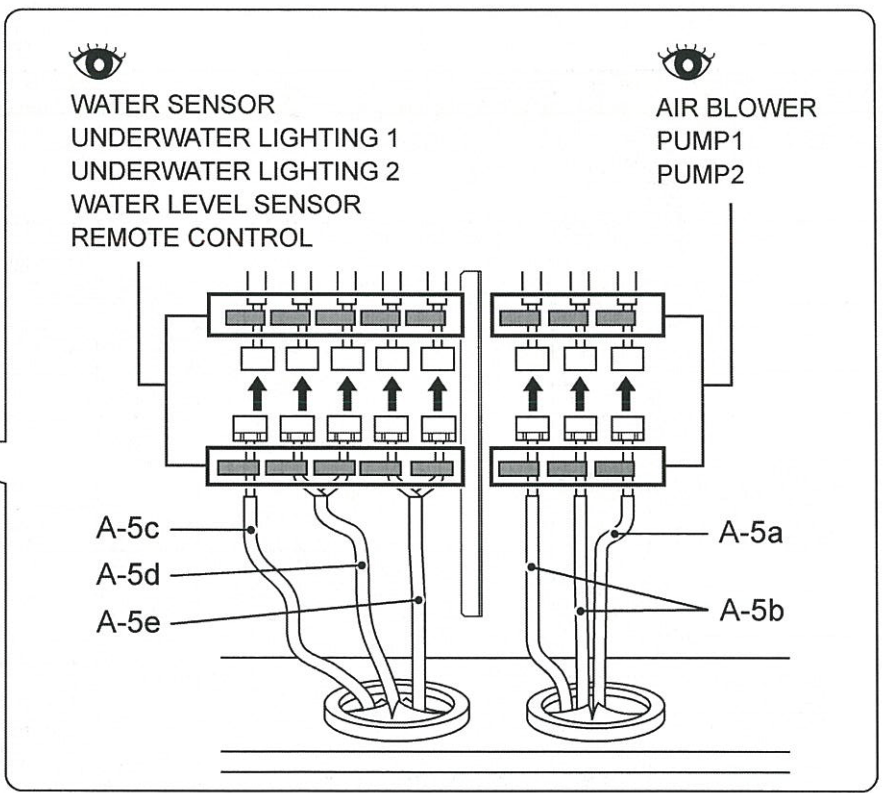
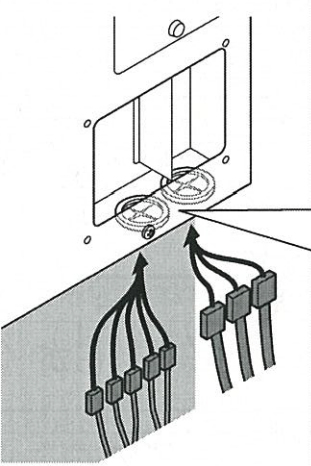
Sujete los tubos de agua caliente o fría con válvulas antigolpe y válvulas de cierre.

# Instalación del módulo de función

## 5

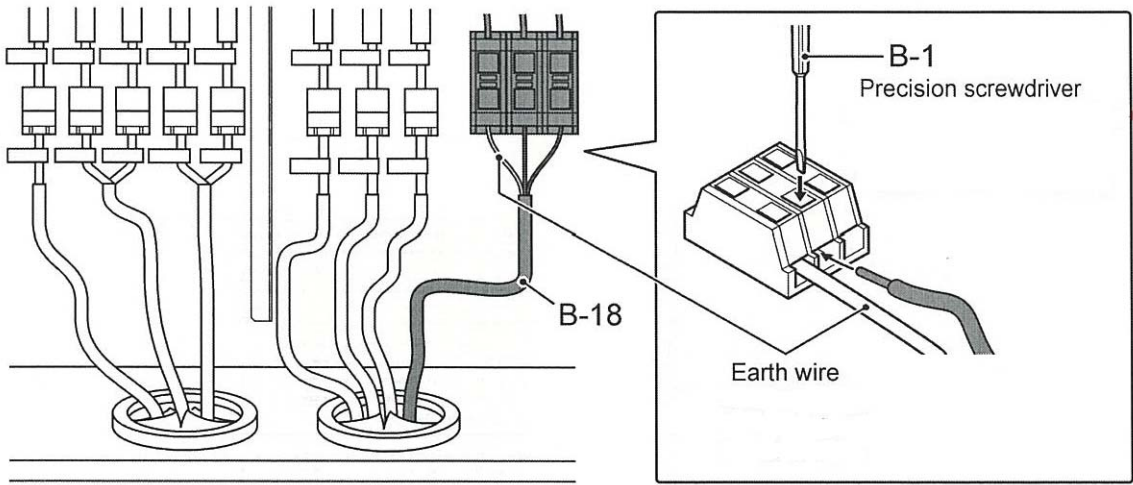


## 6

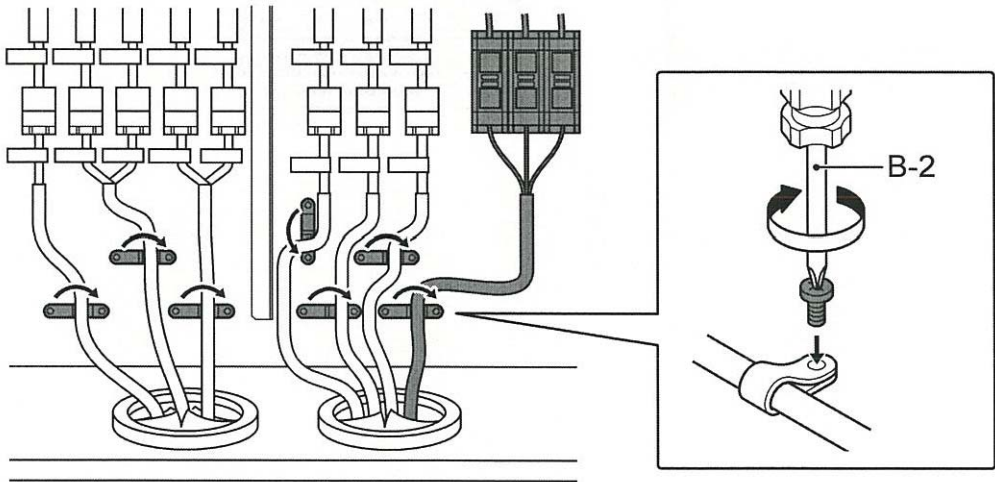


# Instalación del módulo de función

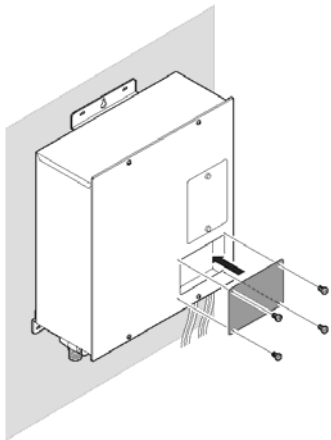
7



8



9



# Prueba de funcionamiento

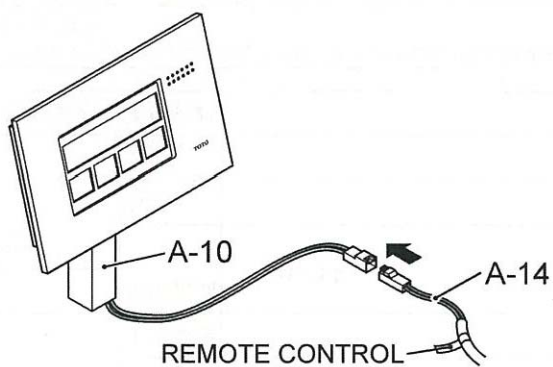
## ■ Preparación para la prueba

### ⚠ PRECAUCIÓN

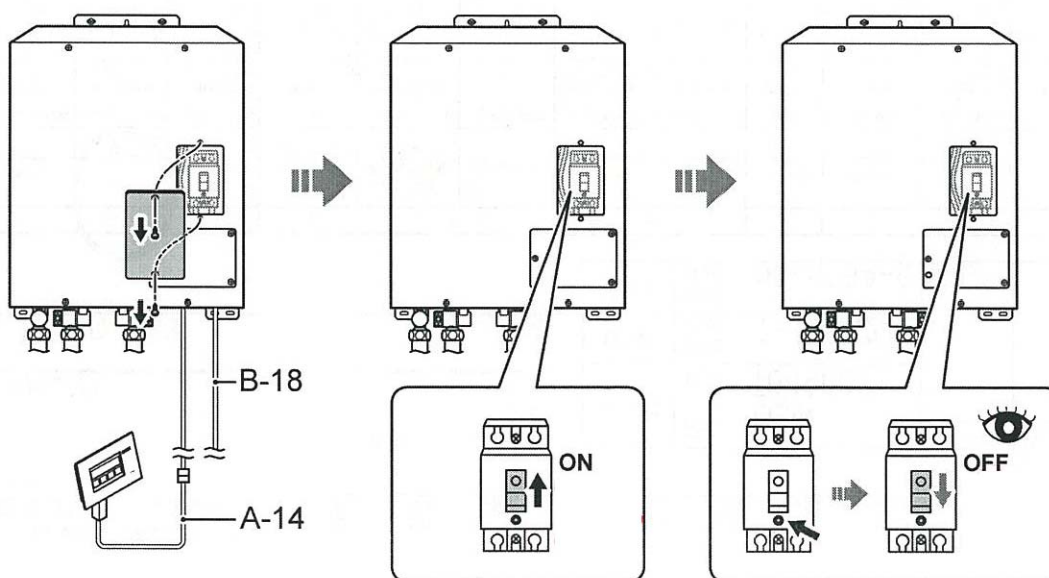
! Necesario

Ponga en funcionamiento con la bañera vacía.

1



2



# Prueba de funcionamiento

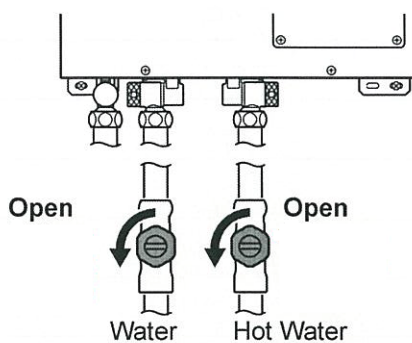
## ■ Preparación para la prueba (continuación)

 **PRECAUCIÓN**

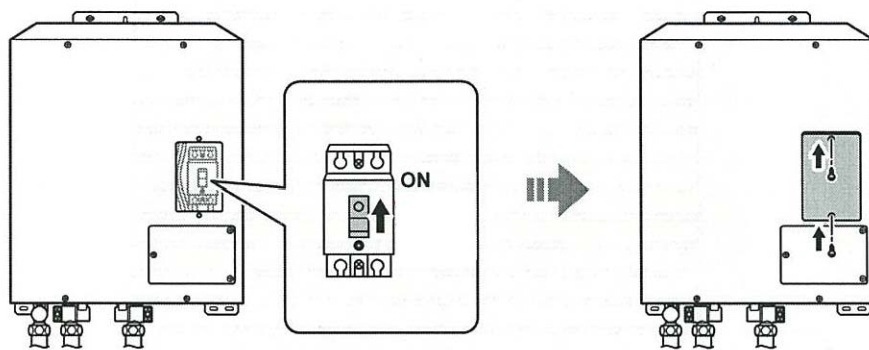
  
Necesario

Ponga en funcionamiento con la bañera vacía.

3



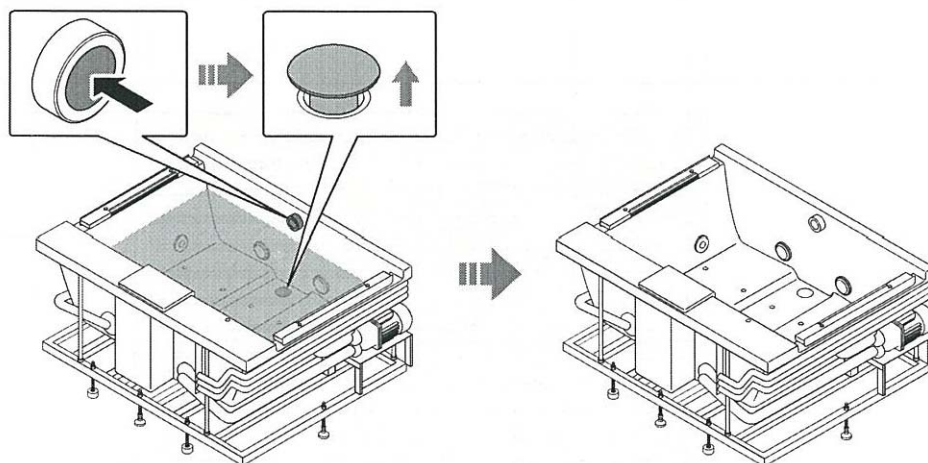
4



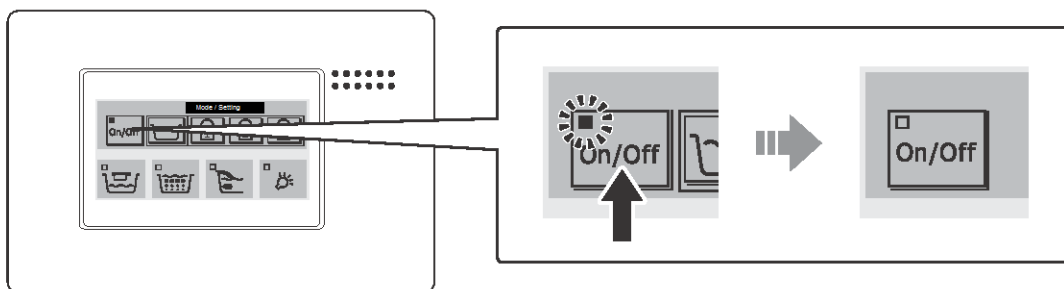
# Prueba de funcionamiento

## ■ Reajuste de los datos de la bañera

1



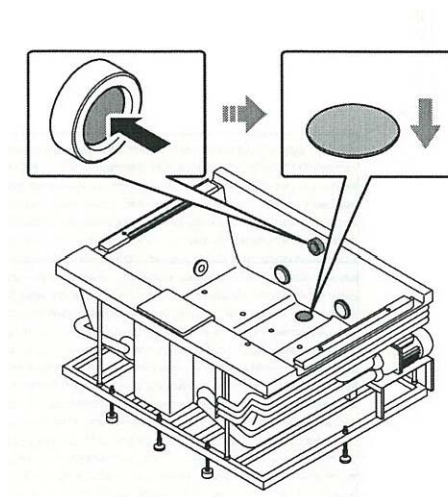
2



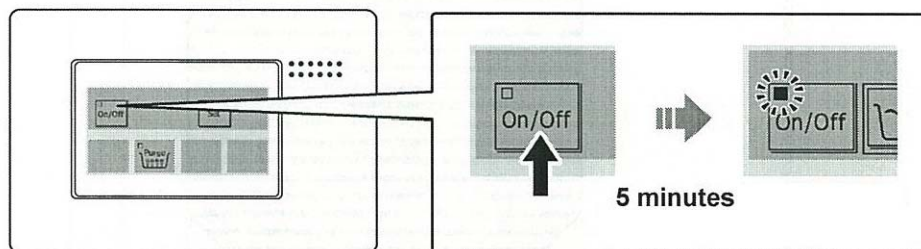
# Prueba de funcionamiento

## ■ Operación de llenado de la bañera

1



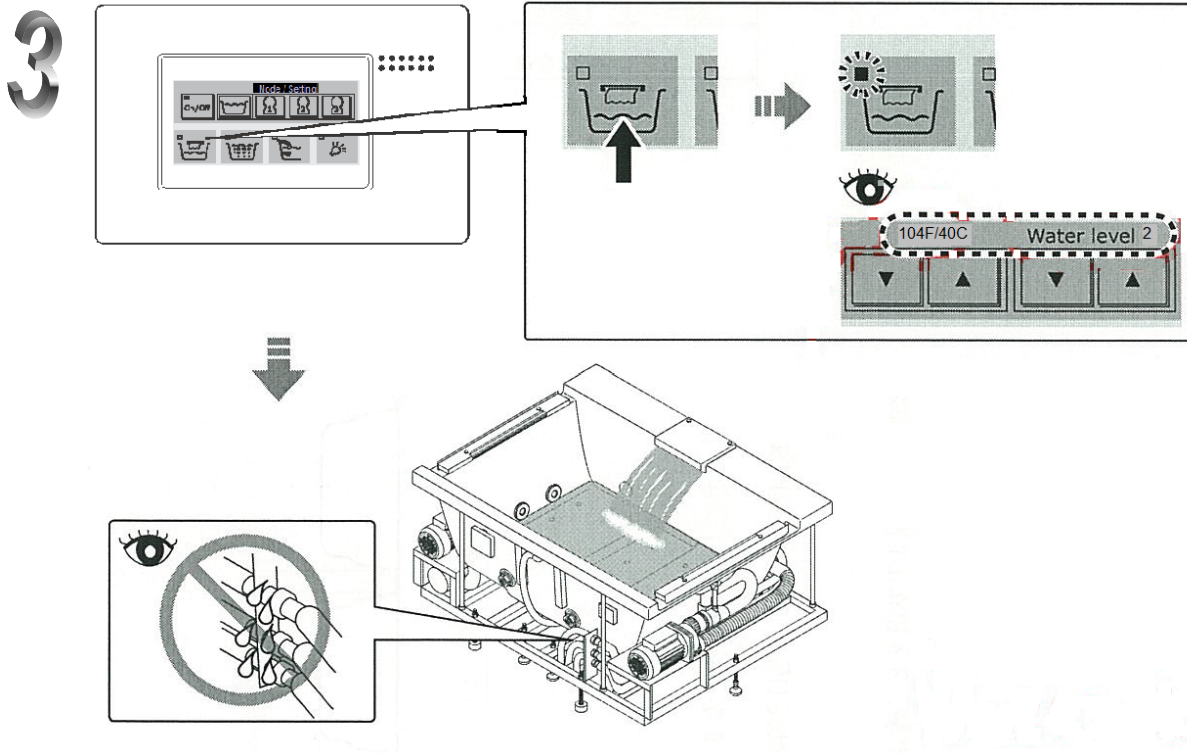
2





# Prueba de funcionamiento

## ■ Operación de llenado de la bañera (continuación)



# Prueba de funcionamiento

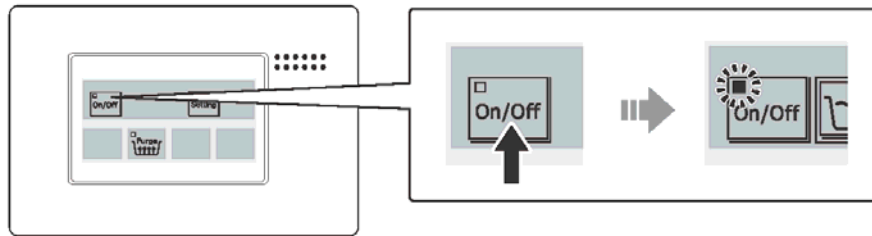
## ■ Soplador de aire (10 minutos)

### ⚠ PRECAUCIÓN

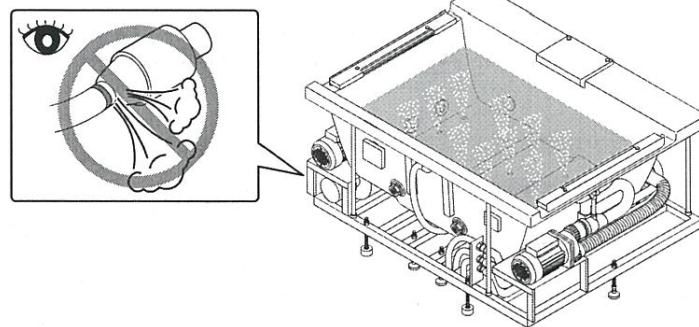
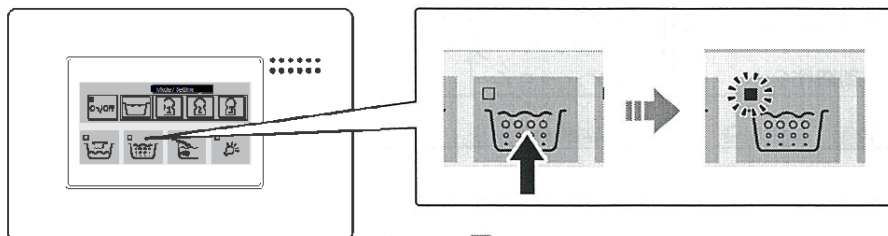
! Necesario

Asegúrese de que haya agua caliente en la bañera después de hacer funcionar la función de llenado de la bañera.

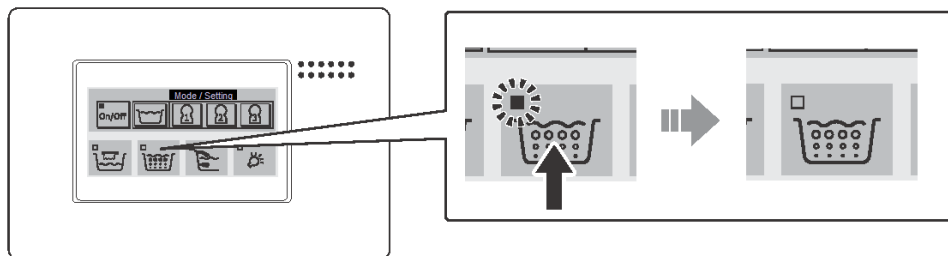
1



2



3



# Prueba de funcionamiento

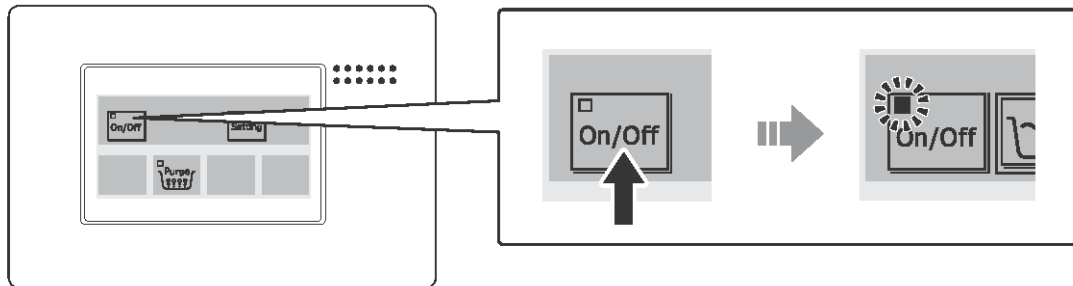
## ■ Hydro Hands/calentador de hombros (10 minutos)

### ⚠ PRECAUCIÓN

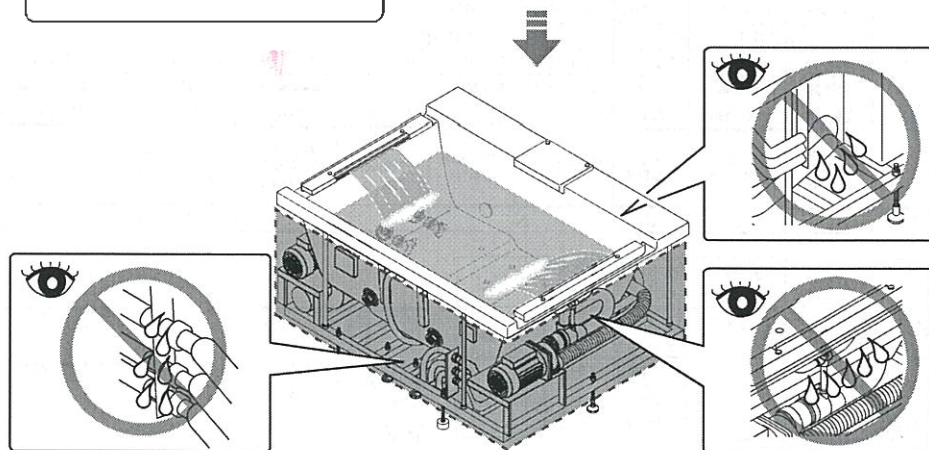
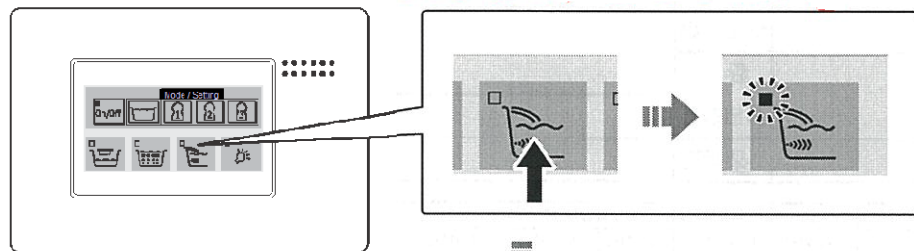
! Necesario

Asegúrese de que haya agua caliente en la bañera después de hacer funcionar la función de llenado de la bañera.

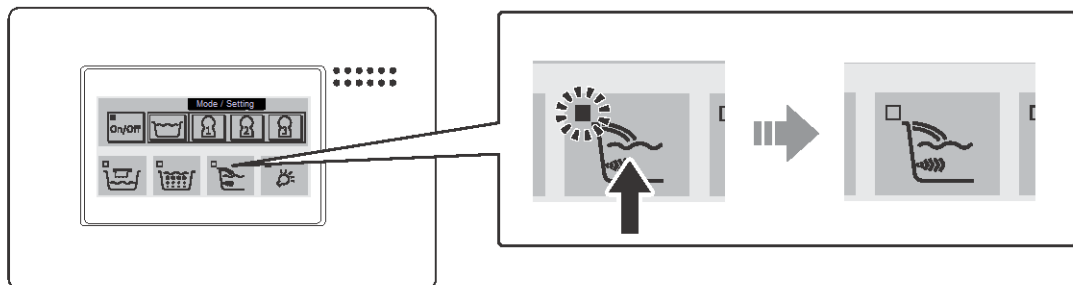
1



2



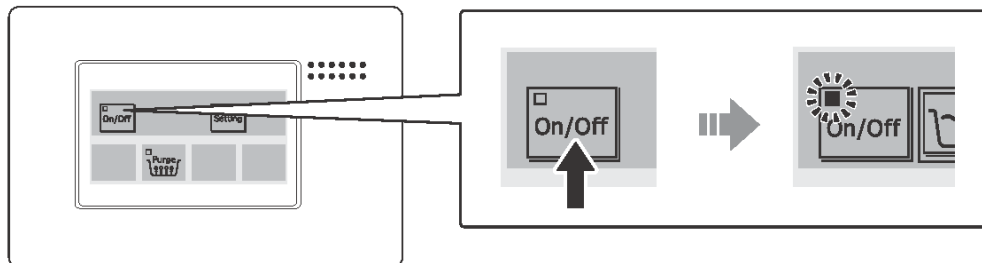
3



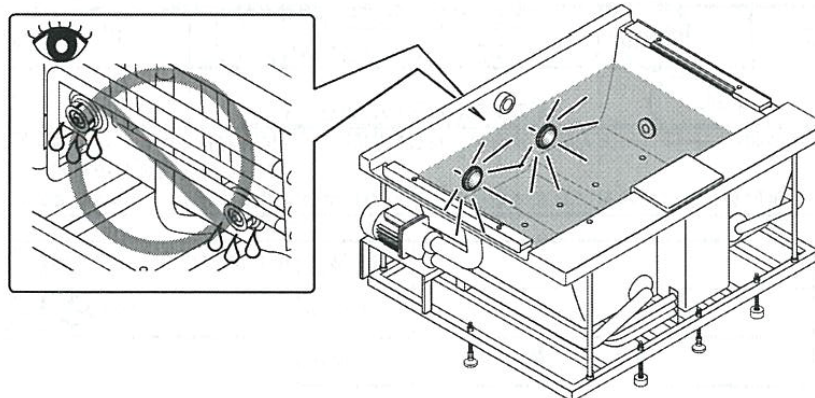
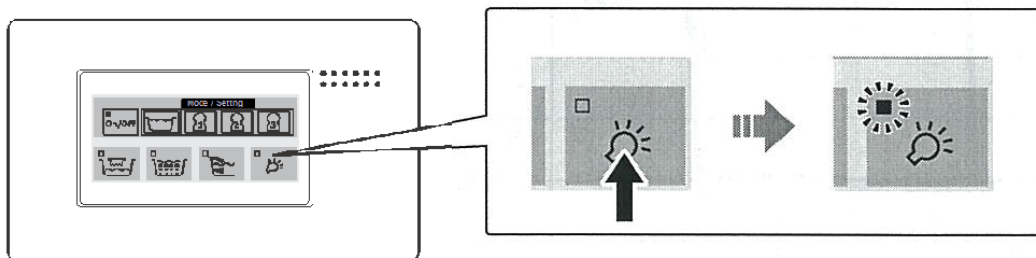
# Prueba de funcionamiento

## ■ Iluminación bajo el agua

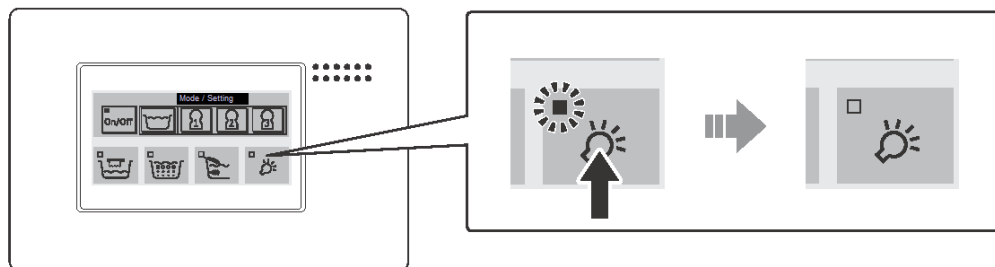
1



2



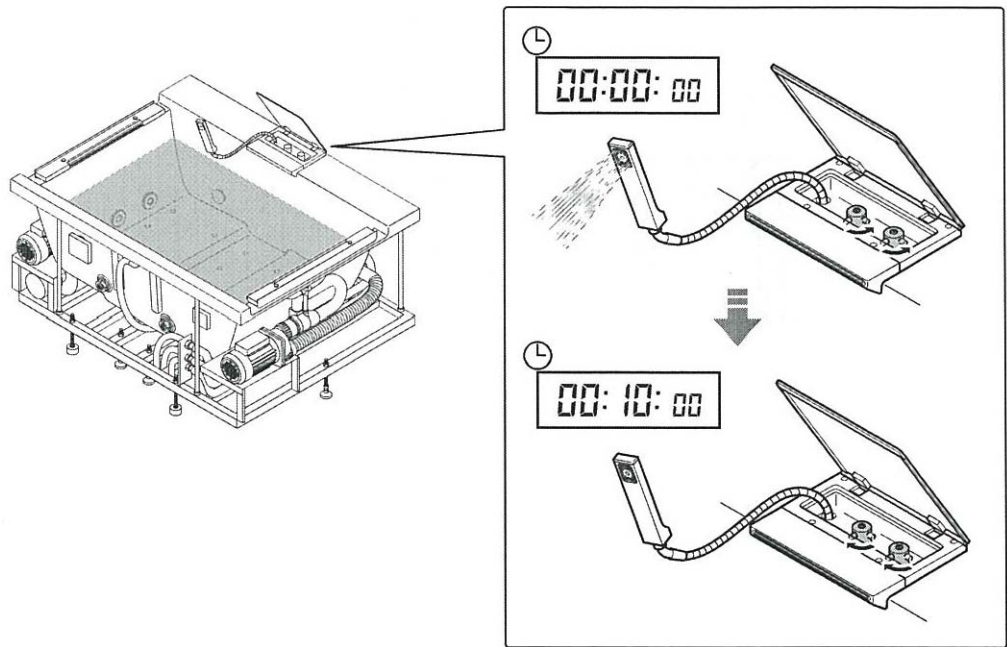
3



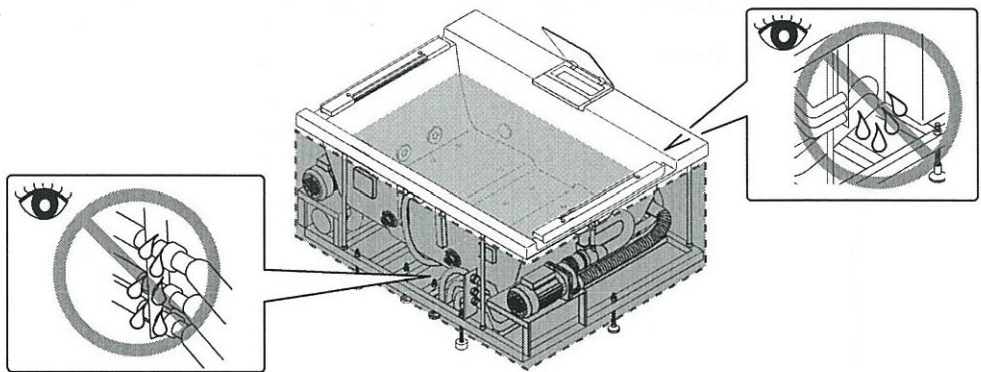
# Prueba de funcionamiento

## ■ Ducha

1

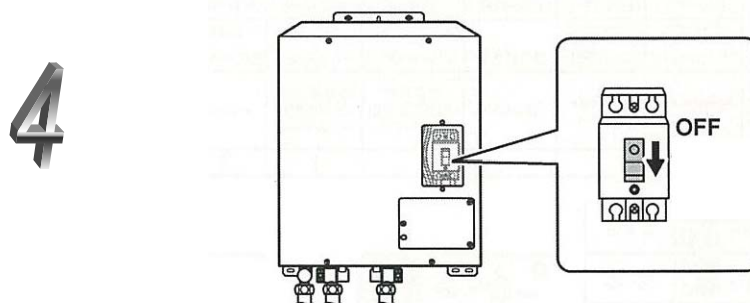
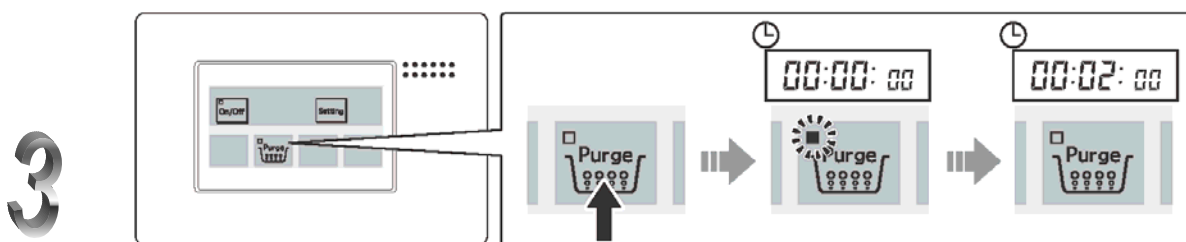
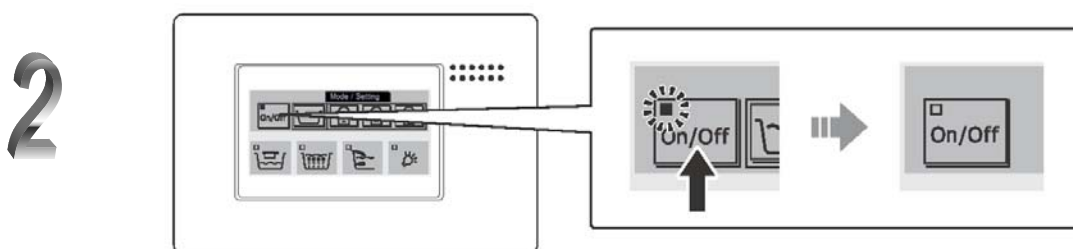
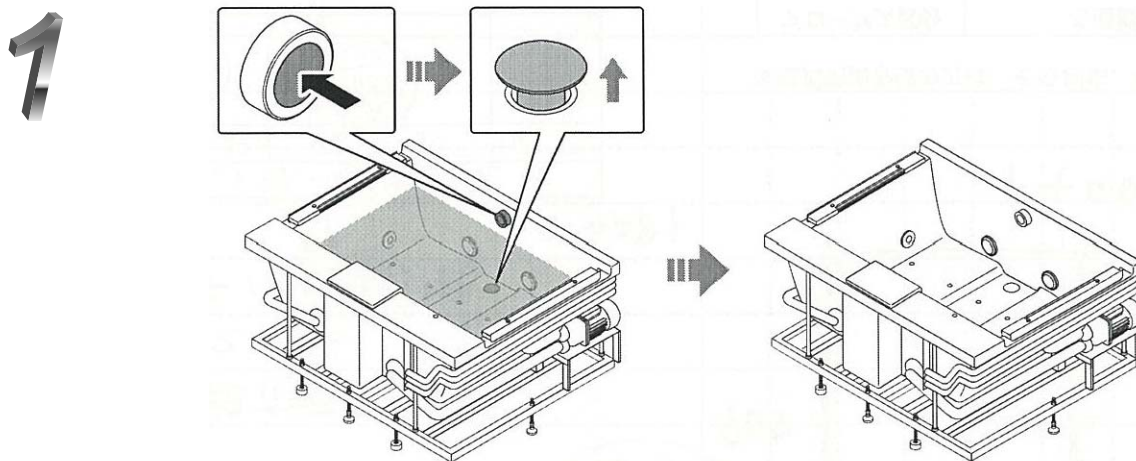


2



# Prueba de funcionamiento

## ■ Funcionamiento de la purga

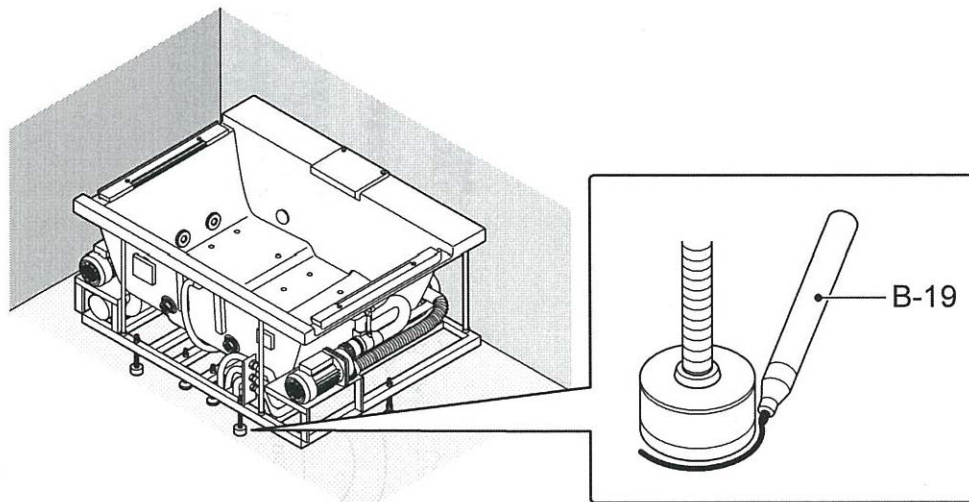


## Si hay problemas con el funcionamiento

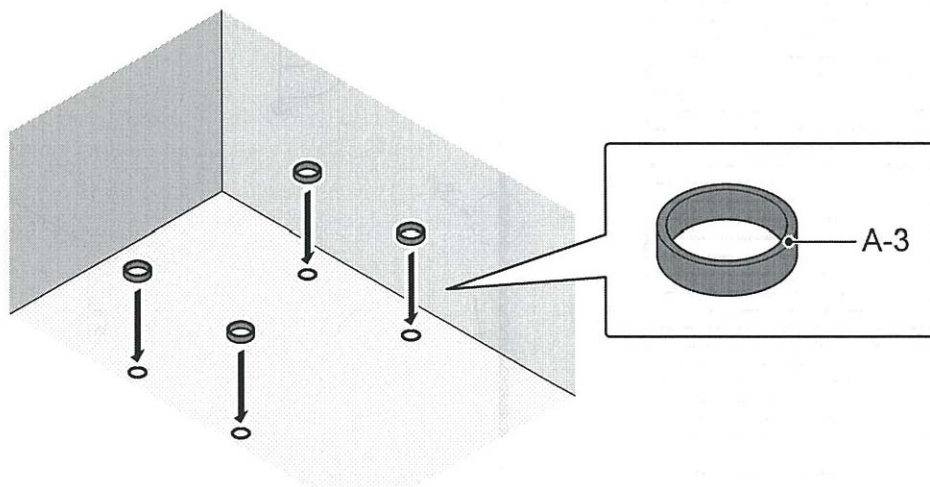
► Consulte “Códigos de error” en la página 44

# Acabado

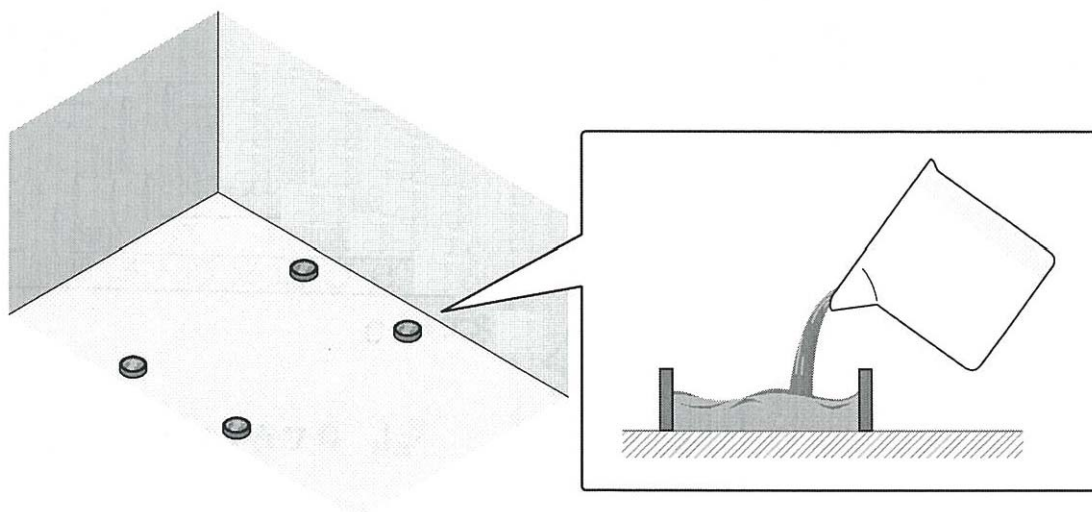
1



2

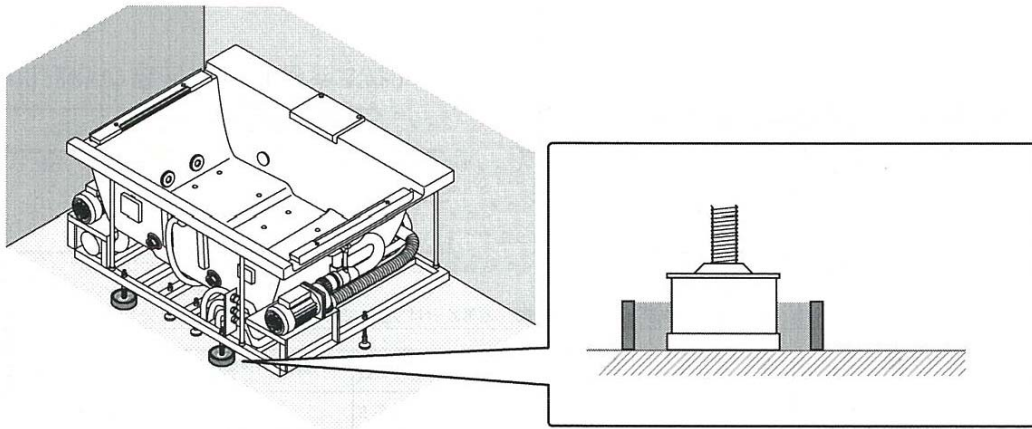


3

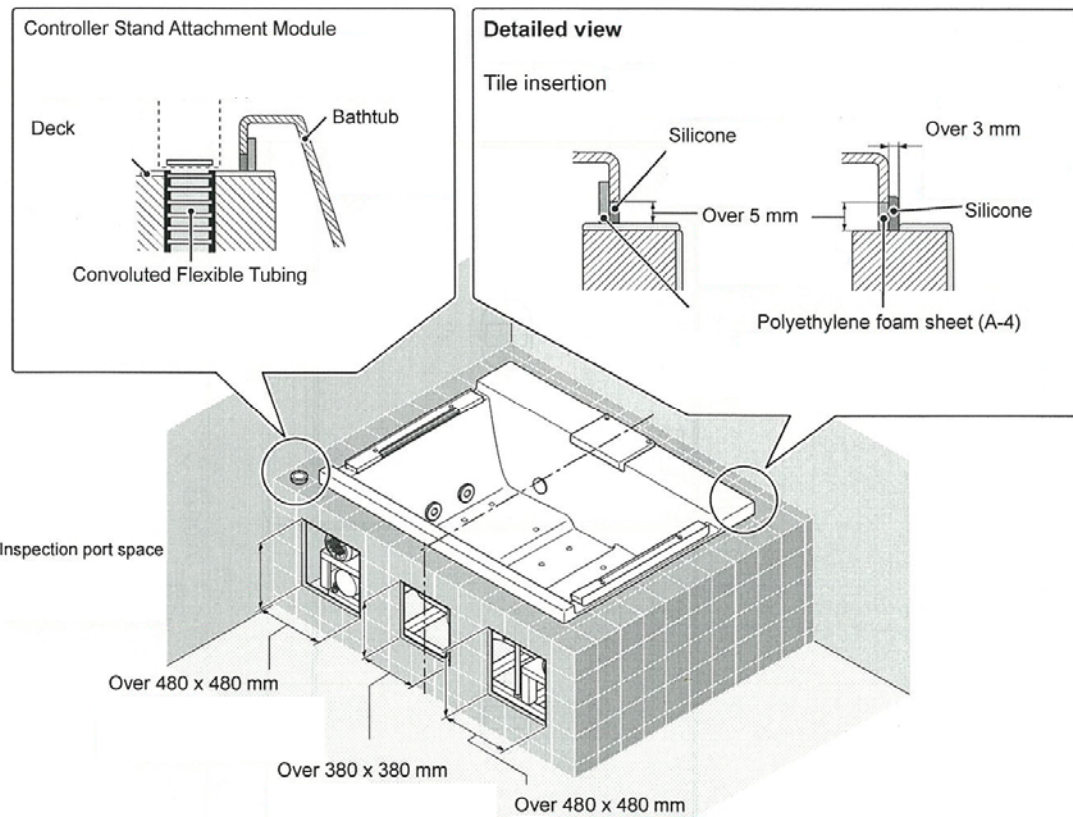


# Acabado

4



5



## ⚠ PRECAUCIÓN

! Necesario

Asegúrese de dejar un espacio entre la bañera y los azulejos y llene este espacio con silicona sin alcohol.

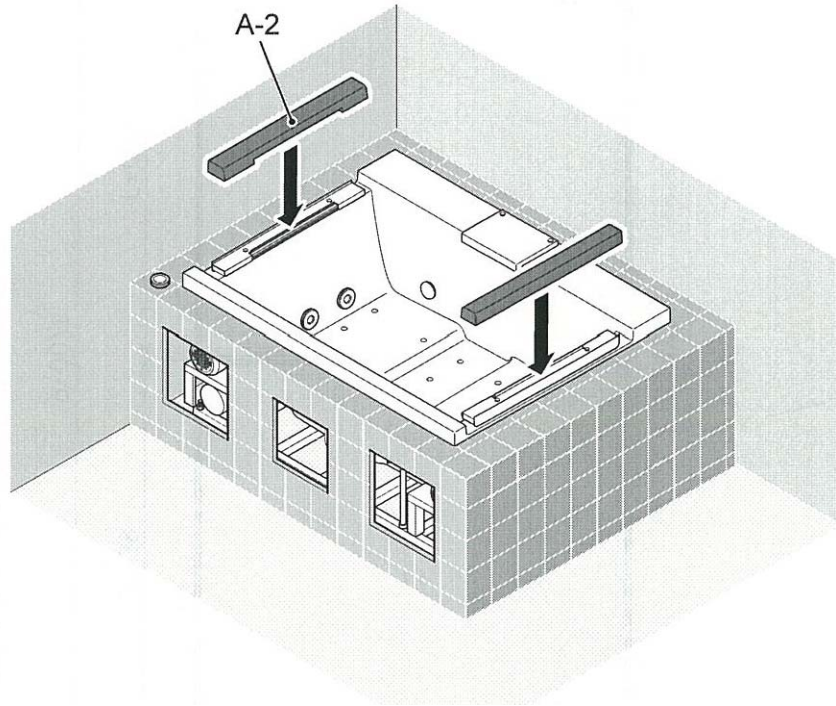
Fije la lámina de espuma de polietileno que se incluye (A-4) a la superficie del suelo o la parte trasera del borde de la bañera antes de colocar la bañera en su lugar. (Consulte la vista detallada)

• Quizás no sea posible fijar la lámina de espuma de polietileno una vez que la bañera esté en su lugar.



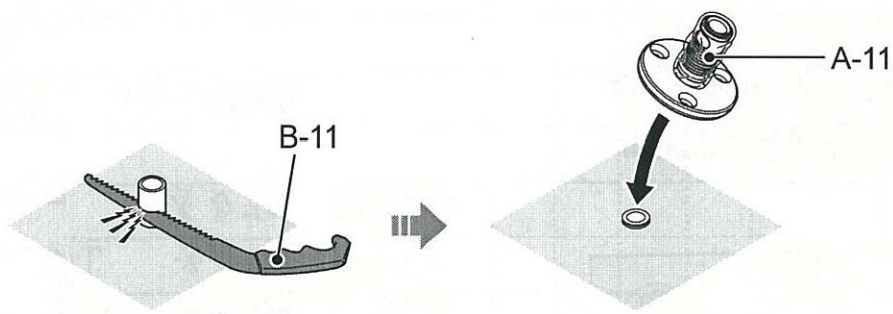
# Acabado

6

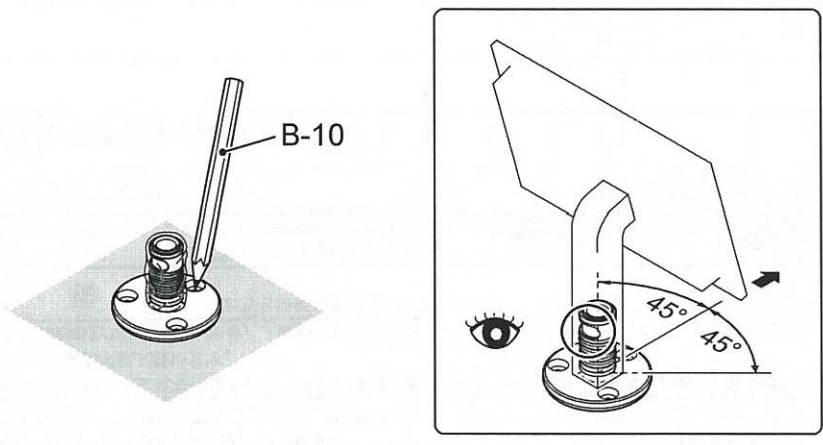


# Instalación del soporte del controlador

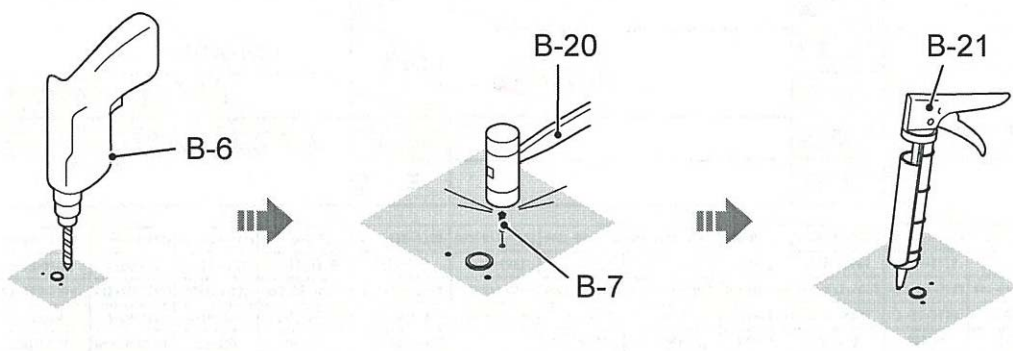
1




2



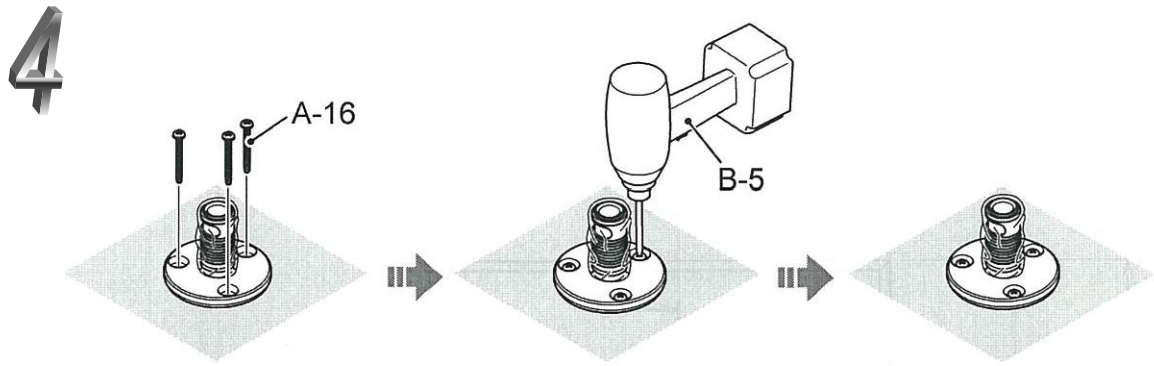
3



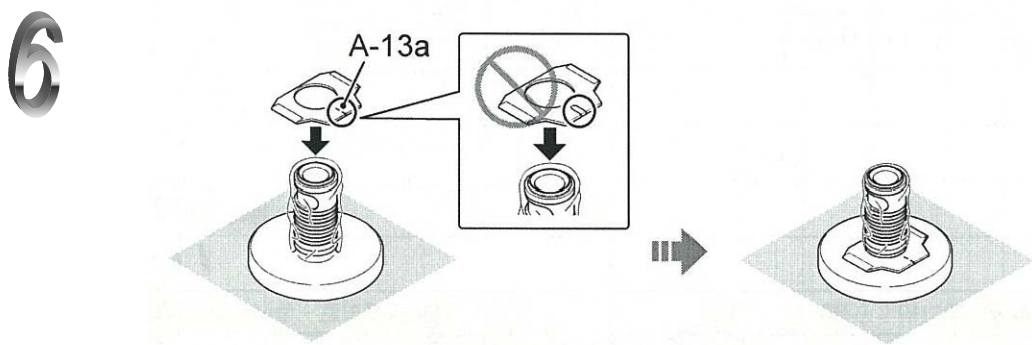
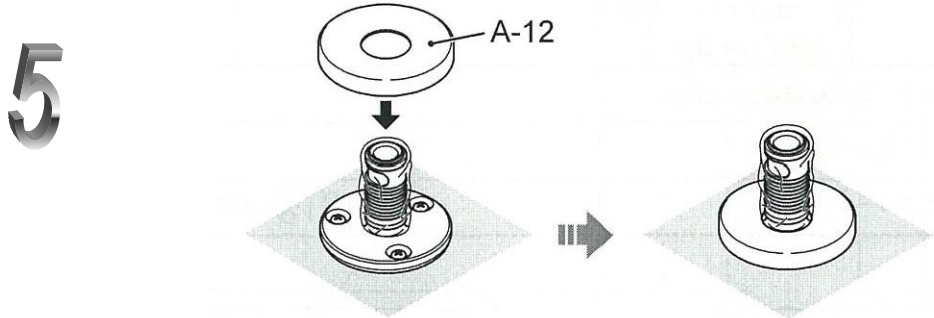
## ⚠ PRECAUCIÓN

 Necesario	Verifique que la posición del agujero no esté en una parte hueca de la superficie del azulejo. ● Si hay una parte hueca, fíjela en su lugar con cinta adhesiva.
--	--

# Instalación del soporte del controlador

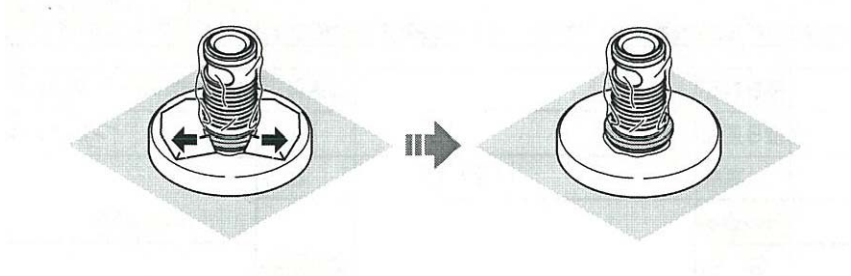


⚠ PRECAUCIÓN	
Prohibido	<p>No quite la lámina protectora de la base.</p> <ul style="list-style-type: none"> <li>• Esto podría causar problemas o hacer que la unidad no funcione correctamente, debido a suciedad o daño en la junta tórica.</li> <li>• Esto hará que resulte más difícil instalar el anillo colector y podría doblarlo o dañarlo.</li> </ul>

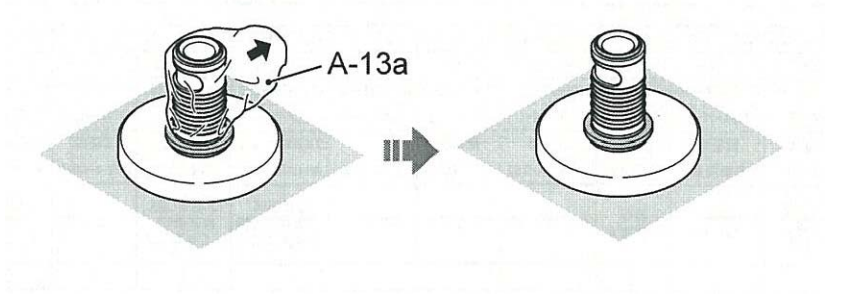


# Instalación del soporte del controlador

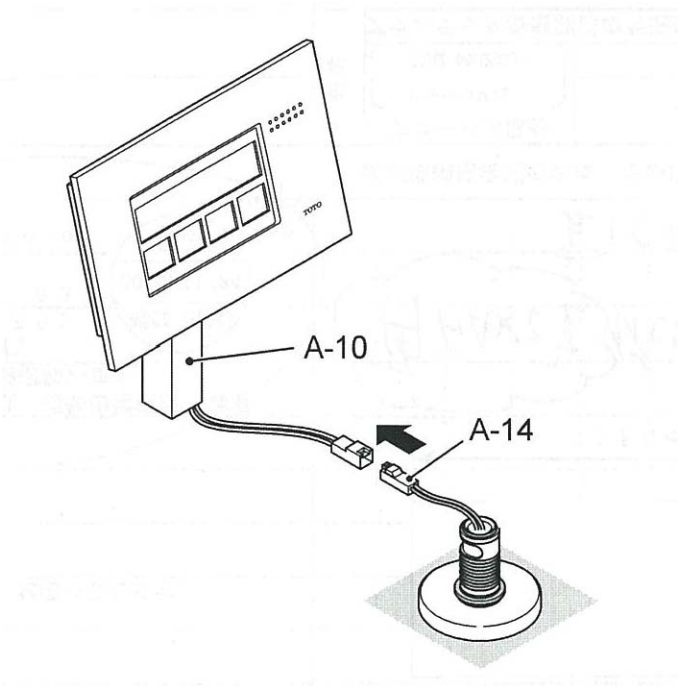
7



8

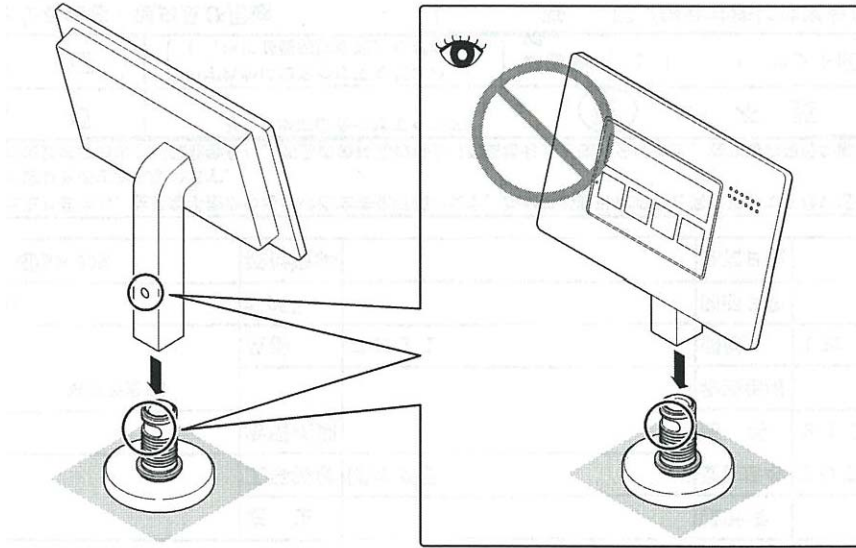


9

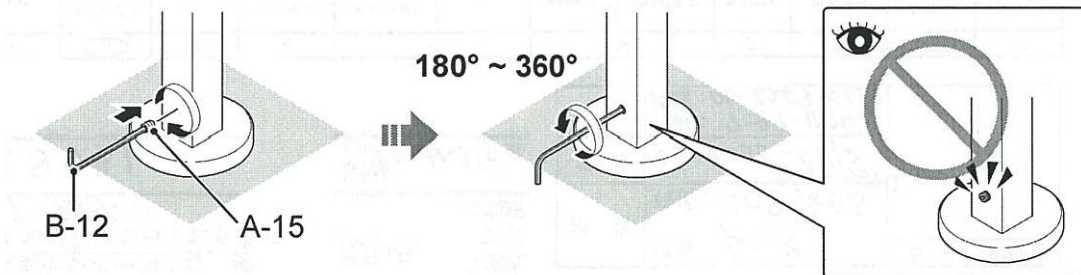


# Instalación del soporte del controlador

10




11

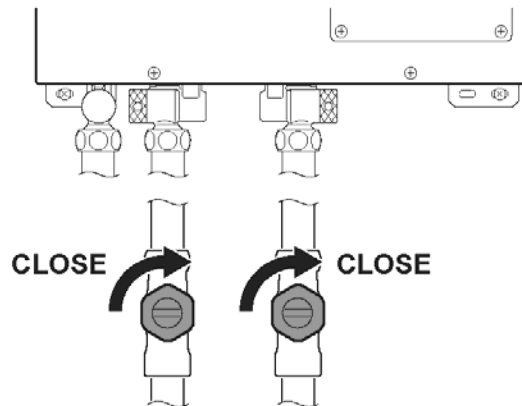


# Limpeza del filtro en la orejeta de drenaje de agua

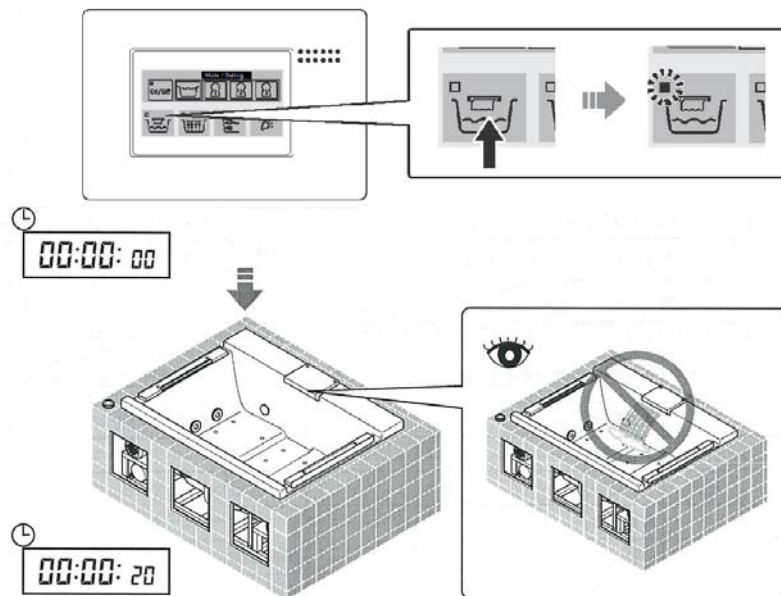
## ⚠ PRECAUCIÓN

 Necesario	La suciedad de la fontanería se acumulará en el filtro. Por ello, después de conectar la fontanería y hacer correr agua a través de ella y después de las operaciones de prueba, asegúrese de limpiar el filtro.
	Si los productos no se entregarán al cliente durante un tiempo prolongado o si no se usarán durante mucho tiempo, quite el agua del módulo de función y cierre el suministro eléctrico. (Consulte el Manual de instrucciones.)
	Espere que el equipo se enfríe para evitar escaldaduras o quemaduras. •Una vez que el agua se haya ido por la salida de llenado de la bañera, el agua que está adentro del módulo de función seguirá estando bastante caliente.
	Saldrá agua caliente y fría de la orejeta de drenaje de agua. Por ello, asegúrese de colocar un balde u otro recipiente debajo del módulo de función para que caiga el agua.

1

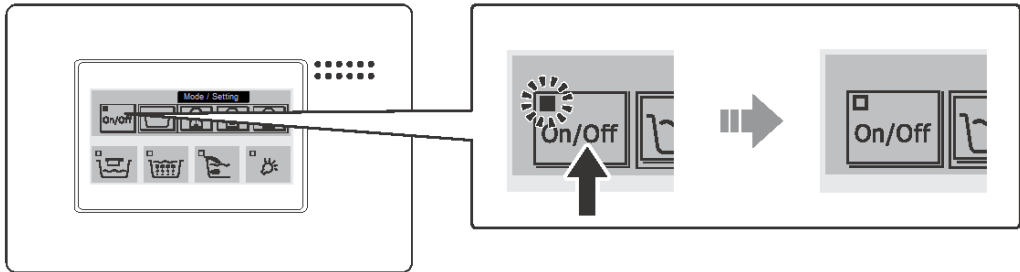


2

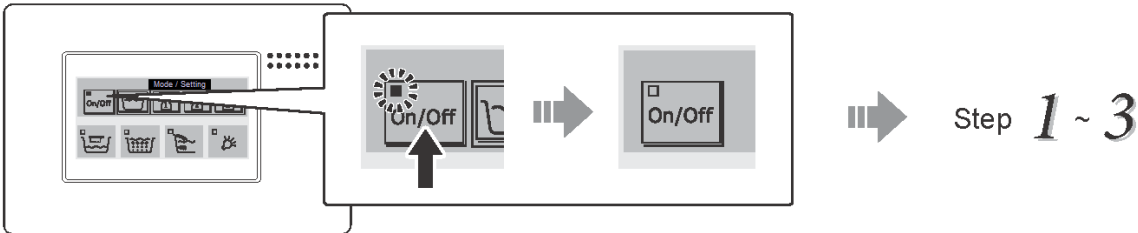


# Limpeza del filtro en la orejeta de drenaje de agua

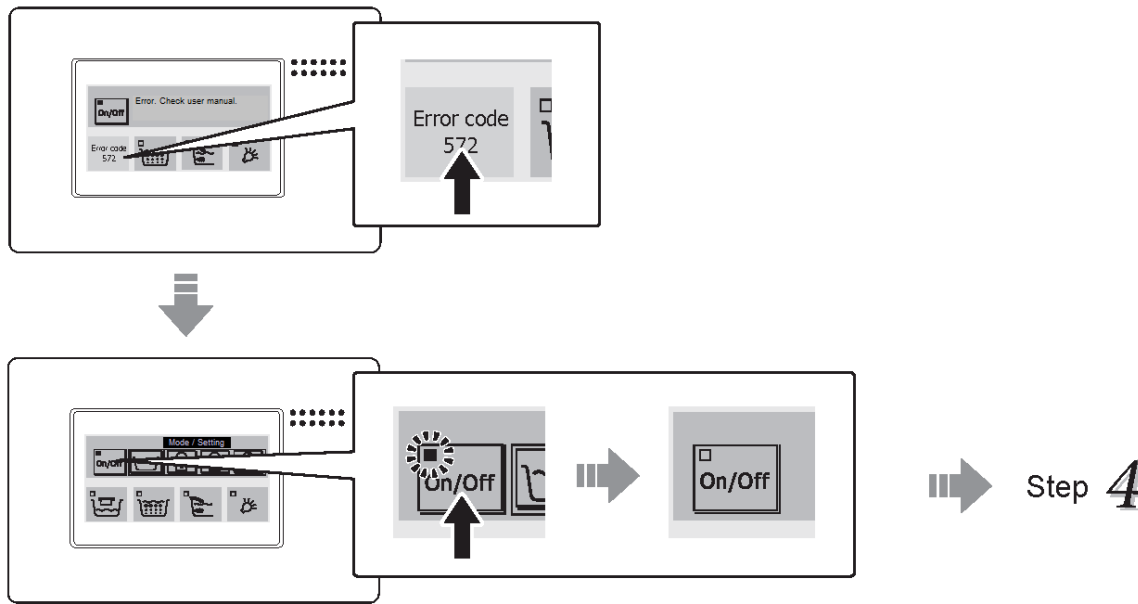
3



## Si el agua sigue fluyendo

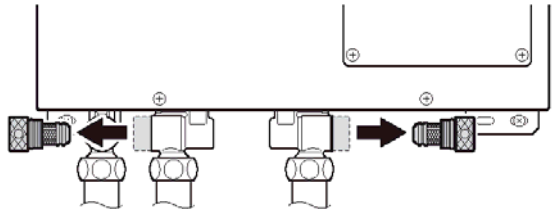


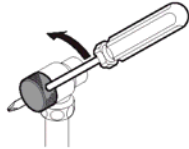
## Si el controlador muestra el código de error 572



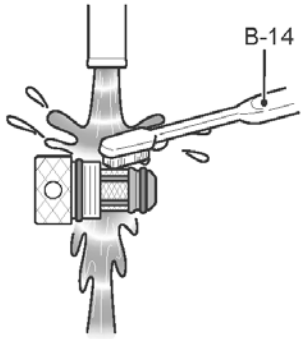
# Limpeza del filtro en la orejeta de drenaje de agua

4



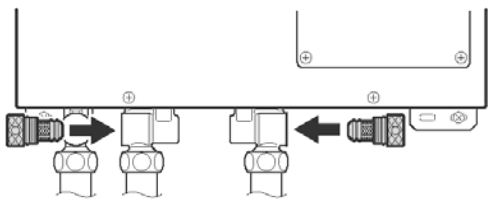
⚠ PRECAUCIÓN	
! Necesario	<p>Cuando las orejetas de drenaje de agua no puedan quitarse girándolas con la mano, coloque el extremo de un destornillador u otra herramienta en el agujero de la orejeta de drenaje de agua y úselo para girarla.</p> 

5

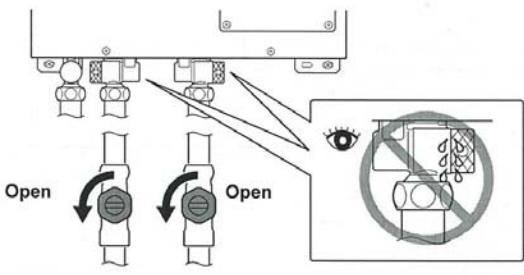


⚠ PRECAUCIÓN	
! Necesario	<p>Evite que la suciedad produzca rayones o quede en la empaquetadura.</p> <ul style="list-style-type: none"> <li>• De lo contrario, pueden generarse fugas o puede quedar suciedad dentro del módulo de función y causar problemas.</li> </ul>

6



7





# Códigos de error

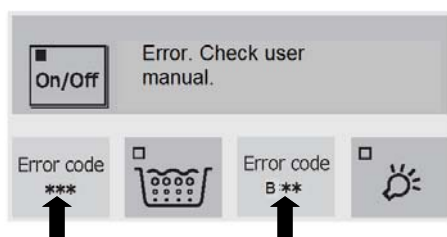
## Cuando se muestran códigos de error



Código de error	Causa	Procedimiento
032	El drenaje de la bañera está abierto	¿El drenaje de la bañera está cerrado?
079	No hay agua caliente	¿Es suficiente el agua caliente que proviene del calentador? - Revise la temperatura y las configuraciones de funcionamiento del calentador de agua.
152	Temperatura de entrada de agua anormal	¿Se está suministrando agua caliente a la conexión de agua fría del módulo de función? - Revise las conexiones de tuberías al calentador de agua.
262	Circuito abierto del sensor del nivel de agua	¿Está conectado el cable del sensor de agua?
		¿Hay alguna rotura en el cable del sensor de agua?
572	No hay agua	¿La válvula principal o de cierre de agua está apagada?
B01 B02	Anormalidad en el circuito de la bomba de Hydro Hands/calentador de hombros	Deje de usar el equipo y solicite una llamada de servicio.
Otro	—	Inténtelo nuevamente después de resolver este error.

## Métodos de resolución de errores

Puede resolver errores presionando el botón que mostró un código de error.



## Códigos de error

### Si no se muestran los códigos de error

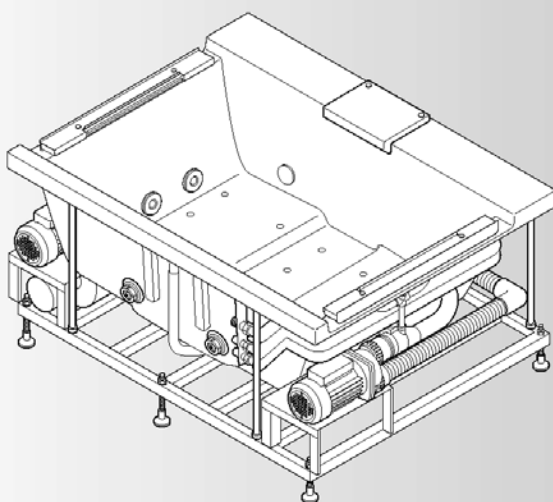
Las luces del controlador no funcionan.	¿Está conectado el cable del controlador?
	¿Está roto el cable del controlador?
	¿Llega el suministro de energía al módulo de función?
El soplador de aire no funciona.	¿Está conectado el cable de la bomba de aire?
	¿Está roto el cable de la bomba de aire?
La iluminación bajo el agua no se enciende	¿Está conectado el cable de iluminación bajo el agua?
	¿Está roto el cable de iluminación bajo el agua?

\* Consulte otros problemas en el Manual de instrucciones.

# TOTO®

## NEOREST SE BAIN

### NEOREST



## Guide d'installation



Mises en garde et avertissements.....	2
Avant d'installer le bain Neorest.....	5
Pièces incluses.....	8
Outils nécessaires.....	10
Spécifications.....	11
Dessins des dimensions.....	13
Procédure d'installation.....	15
Sens des indications.....	15
Établissement d'une base pour le bain	16
Installation du module fonctionnel.....	20
Test de fonctionnement.....	24
Finition.....	34
Installation du support du contrôleur...	37
Nettoyage du filtre.....	41
Codes d'erreur.....	44

### Aux installateurs :



Dans la mesure du possible, veuillez expliquer les fonctions du NEOREST et leur utilisation au client. Dans de nouvelles constructions ou à d'autres endroits où le délai entre l'installation et l'utilisation du produit par le client est considérable, veuillez couper le courant.




# Mises en garde et avertissements

Avant d'installer le bain NEOREST, s'assurer de lire les instructions d'installation qui suivent. Installer le produit uniquement comme le mentionne le guide. Suivre toutes les mises en garde et avertissements de sécurité.

	Ce symbole, placé à côté d'un sujet dans le guide, indique qu'une mauvaise utilisation pourrait entraîner un décès ou de graves blessures.		Ce symbole, placé à côté d'un sujet dans le guide, indique qu'une mauvaise utilisation pourrait entraîner des blessures ou des lésions.
AVERTISSEMENT		MISE EN GARDE	

Exemple de symbole

	Ce symbole indique une interdiction.		Ce symbole indique le besoin d'intervenir.
---	--------------------------------------	---	--

 <b>AVERTISSEMENT</b>	
 Interdic- tions	<b>Ne pas installer le bain si son rebord est son seul point d'appui.</b> • Cette façon de faire pourrait l'endommager.
	<b>Ne pas se tenir debout dans le bain pendant le travail.</b> • Cette façon de faire pourrait occasionner des chutes ou encore endommager le produit.
	<b>Assembler uniquement les pièces livrées ou indiquées dans le guide. Ne pas changer ces pièces.</b> • Surtout, éviter de changer les dimensions.
	<b>Ne pas installer le module fonctionnel dans un endroit humide, comme une salle de bain ou un endroit susceptible aux inondations.</b> • Des problèmes avec le produit ou une décharge électrique pourraient s'en suivre.
 Obliga- toire	<b>Installer de façon sécuritaire, selon les consignes du Guide d'installation.</b> • Une mauvaise installation peut provoquer des chocs électriques ou un incendie. De plus, elle pourrait entraîner des fuites d'eau qui causent des dommages réparables ou irréparables à la propriété.
	<b>Installer les tuyaux de drainage solidement, en suivant la procédure.</b> • Une mauvaise installation peut provoquer des fuites qui causent des dommages réparables ou irréparables à la propriété.
	<b>Après le déballage, jeter immédiatement tout le matériel d'emballage inutile.</b> • Le cadre de bois, les clous, les boîtes de carton, les sacs de vinyle ou les courroies scellantes pourraient causer des blessures. De plus, s'assurer que le matériel d'emballage demeure hors de la portée des enfants pour éviter tout risque de suffocation ou d'autres accidents.
	<b>Toutes les étapes rattachées au système électrique doivent être effectuées par un électricien accrédité.</b> • Une mauvaise utilisation pourrait entraîner des blessures ou des dommages matériels.
	<b>Tout le matériel électrique branché au bain doit être muni d'un disjoncteur de fuite de terre.</b>
	<b>Le bain doit être branché à la source d'approvisionnement en eau.</b>
<b>Le câble de mise à la terre doit être branché sans fautes.</b>	

 **AVERTISSEMENT**

  
Obligatoire

**Stabiliser d'abord la tension, puis brancher la prise au cadre du bain.**

- Une mise à la terre incorrecte peut favoriser la formation de boucles.

**Le voltage doit correspondre au voltage à CA indiqué.**

- L'utilisation d'un voltage différent peut endommager le matériel ou provoquer un mal fonctionnement ou un incendie.

**Après l'installation, tester le disjoncteur de fuite de terre qui protège cet appareil et effectuer des vérifications régulières en suivant les instructions du fabricant.**

- Un disjoncteur de fuite de terre défectueux pourrait entraîner une décharge électrique ou un incendie.

**S'assurer que le matériel est installé dans un endroit stable, assez solide pour supporter la charge, comme l'indique le Guide d'installation.**

- Une mauvaise installation peut entraîner la chute ou le versement du matériel, ce qui entraîne des blessures.

**Si l'installation du module fonctionnel est effectuée avec un support de métal ou un support de métal à câble, s'assurer que le module fonctionnel et le support ne font pas partie du circuit électrique.**

- Cela pourrait provoquer une décharge électrique, une surchauffe ou un incendie.

**Lors du branchement des câbles, s'assurer que la source d'alimentation électrique n'est pas en marche.**

- Cela pourrait causer une décharge électrique.

**Les composantes électroniques doivent être installées de façon à être hors de portée des utilisateurs de la salle de bain. (Cette règle ne s'applique cependant pas aux composantes de voltage ultra faible de 12 volts ou moins, comme les télécommandes.)**

- Autrement, il y a un risque de choc électrique.
- Les modules fonctionnels ne doivent pas être installés dans la salle de bain.

**Les composantes électroniques doivent être fixées de façon à ne pas tomber dans le bain.**



- Autrement, il y a un risque de choc électrique.
- Les modules fonctionnels ne doivent pas être installés dans la salle de bain.

**S'assurer d'adopter une posture ergonomique pendant le transport et l'assemblage.**

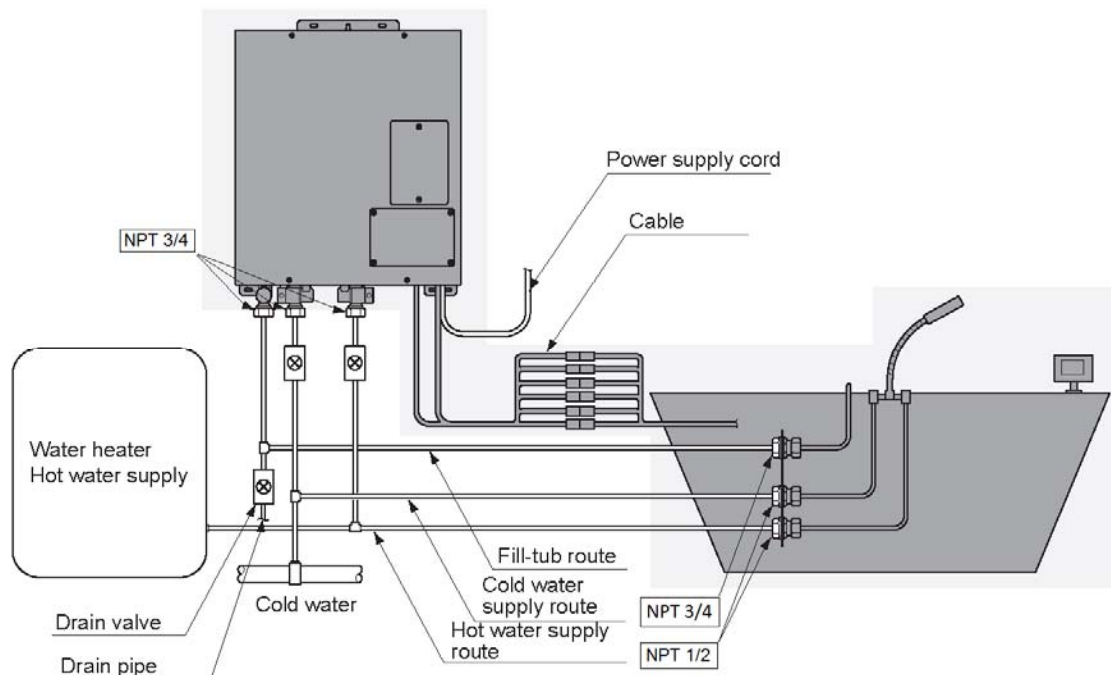
- S'assurer que les déplacements sont sécuritaires à toutes les étapes. S'assurer d'avoir de l'aide pour éviter les risques d'accidents ou de blessures.

**Observer les règlements locaux en matière de construction et de prévention des accidents, ainsi que les règles sanitaires et de protection environnementale pendant l'installation.**

 **ATTENTION**

 Interdic- tions	<b>Ne pas placer d'objets lourds ou d'objets faits pour grimper sur le bain ou dans le bain.</b> ● Cette façon de faire pourrait l'endommager.
	<b>Ne pas laisser tomber d'objets lourds ou durs dans le bain.</b> ● Des craquelures dans le bain pourraient causer des blessures, ou une fuite d'eau pourrait contaminer ou endommager vos biens de façon permanente.
	<b>Tenir les sources de chaleur à bonne distance du bain.</b> <b>Ne pas fumer.</b> ● Les structures pourraient être endommagées.
	<b>Ne pas installer le bain à l'extérieur ou à un endroit où il serait continuellement exposé à la lumière du soleil (par exemple, dans un solarium).</b> ● La congélation risquerait de causer des dommages et il y aurait un risque de décoloration.
	<b>Ne pas plier les tuyaux ou les câbles.</b>
	<b>Au moment du transport, ne pas agripper les tuyaux ou la plomberie et faire attention de ne pas percuter le bain contre un objet dur.</b>
 Obliga- toire	<b>À l'ouverture de la boîte, vérifier si le bain et les pièces fournies sont en bon état. Ne pas utiliser de pièces endommagées.</b> ● Remplacer les pièces endommagées.
	<b>Si le produit est installé dans un endroit où des dommages causés par une fuite d'eau à partir du module fonctionnel sont à prévoir, s'assurer de protéger le plancher contre les fuites.</b> ● S'il devait y avoir une fuite, l'eau pourrait endommager l'étage ou les étages inférieurs.
	<b>Ne pas retirer la pellicule protectrice sur le bain avant que l'installation soit terminée.</b>
	<b>S'assurer que le bain peut être utilisé et entretenu correctement.</b> ● Garder à l'esprit que de l'eau pourrait s'échapper des ouvertures par les épaules qui sont, pour le moment, obstruées.
	<b>Vérifier la présence de fuites une fois l'installation terminée.</b> ● Fermer l'approvisionnement en eau si des fuites sont découvertes et les réparer immédiatement.

# Avant d'installer le bain NEOREST



- **Le module fonctionnel ne doit pas être installé dans la salle de bain.**

De plus, le module fonctionnel n'est pas à l'épreuve de l'eau et ne doit pas être installé à l'extérieur. S'assurer d'installer le module fonctionnel à l'intérieur, ailleurs que dans la salle de bain.

- **Le module fonctionnel doit être branché à une source d'approvisionnement en eau chaude dont la température s'élève au moins à 60 °C (140 °F). (Sans dépasser 70 °C (158 °F))**

Si la température de la source d'approvisionnement en eau chaude est trop basse, il sera impossible de remplir le bain à la température qui correspond à celle du contrôleur. Le module fonctionnel mélange l'approvisionnement en eau chaude et en eau froide, et achemine l'eau chaude vers la sortie d'eau de remplissage, afin que la température de l'eau qui s'écoule soit inférieure à celle qui est acheminée vers le module fonctionnel.

- **La pression de l'eau chaude et de l'eau froide acheminée vers le module fonctionnel doit se chiffrer à au moins 29 psi (0,20 MPa) (lors de l'écoulement). (Tout au plus 108,75 psi (0,75 MPa))**

La différence de pression entre l'eau froide et l'eau chaude devrait être telle que la pression de l'eau froide est supérieure et avoisine les 14,5 psi (0,10 MPa). Si la pression est faible, l'eau ne coulera pas telle une chute. De plus, le bain mettra plus de temps à se remplir d'eau chaude.

- **Spécifications du matériel**

Pression : 29 à 108,75 psi (0,20 à 0,75 MPa)

Température : 60 à 70 °C (140 à 158 °F)

Consommation d'eau chaude :

Temp. maximale de 60 °C (113 °F)

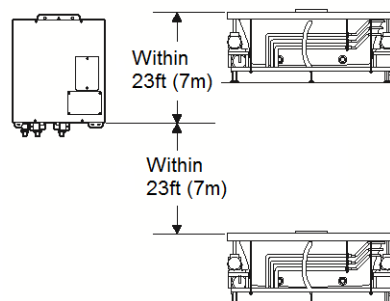
Débit maximal de 35 L/min (9,2 gpm)

Capacité maximale d'environ 545 L (144 gallons)

- Le raccord NPT du module fonctionnel a un diamètre de 3/4. S'assurer que la plomberie n'a pas un diamètre inférieur à celui du raccord du module fonctionnel. L'utilisation de matériel en deçà de sa capacité entière pourrait causer des problèmes au client.
- Utiliser un produit scellant sur le joint du filetage conique.
- Il faut qu'il y ait un espace entre l'extrémité du tuyau de drainage et le drain. Dans le cas contraire, l'eau pourrait refouler.
- **Branchement à la source d'alimentation** La prise d'entrée de la source d'alimentation du module fonctionnel doit être branchée à la prise électrique permanente (câble).

## Lieux d'installation du module fonctionnel

- Installer le module fonctionnel à l'intérieur, ailleurs que dans la salle de bain.
- Laisser un espace d'au moins 600 mm (24 po) devant le matériel, pour pouvoir effectuer des inspections ou des réparations. Également, éviter de placer le matériel contre un mur à l'étage ou à un autre endroit d'accès restreint.
- Tenir compte de ce qui suit au moment de décider où placer le module fonctionnel. La longueur des câbles menant vers le matériel (comme les pompes) installés avec le bain est de 15 m (49 pieds).
- Si le bain est installé à l'étage inférieur, le module fonctionnel doit être situé à un maximum de 7 mètres (23 pieds) du dessus du bain.
- Si le bain est installé à l'étage supérieur, le module fonctionnel doit être situé à un maximum de 7 mètres (23 pieds) du dessus du bain. Dans ce cas, la pression de l'eau doit être de 29 psi (0,20 MPa) supérieurs à la pression de refoulement.
- S'assurer d'installer le module fonctionnel sur une cloison verticale.
- La plomberie branchée au matériel doit être installée de manière à éviter tout problème de sécurité en cas de tremblement de terre, d'autres vibrations ou d'un impact, et un produit de calfeutrage doit être utilisé pour sceller les endroits où l'eau chaude, l'eau froide et les câbles électriques passent dans les murs.



## Précautions entourant la plomberie

- Si des matériaux de plomberie sont précisés par les autorités locales et nationales concernées, respecter leurs spécifications.
- S'assurer de bien rincer les conduites où l'eau circule pour y retirer les matières, le sable et les débris qui s'y trouvent avant de brancher le module fonctionnel.
- Installer un nœud de raccordement ou un autre moyen de raccordement sur le point de raccordement, et ne pas trop forcer.
- Le diamètre de la conduite ne peut être inférieur au diamètre du raccord du module fonctionnel (NPT 3/4).
- Lorsque la pression d'eau est élevée, installer soit une valve de réduction de la pression soit un dispositif permettant d'éviter le « martèlement de l'eau ». (Pression d'eau recommandée : 29 à 108,75 psi (0,20 à 0,75 MPa) Cependant, les limites établies par les autorités de plomberie locales et nationales ne doivent pas être dépassées.)
- Garder le nombre de nœuds aussi petit que possible et éviter de compliquer indûment la plomberie. De plus, ne pas installer la plomberie de façon à ce que de l'air soit emprisonné dans les conduites.

### Approvisionnement en eau chaude et froide

- Installer un clapet antiretour, une valve de fermeture ou une valve de fermeture munie d'un clapet antiretour à proximité des ports d'approvisionnement en eau chaude et en eau froide.
- Pour que le client ait une expérience agréable lors de l'utilisation du matériel, une pression d'eau chaude et d'eau froide de 29 à 108,75 psi (0,20 à 0,75 MPa) est requise. Si la pression d'eau est faible, le matériel ne fonctionnera pas correctement et il pourrait poser problème au client; donc, penser à installer une pompe d'appoint en tant que solution de rechange.

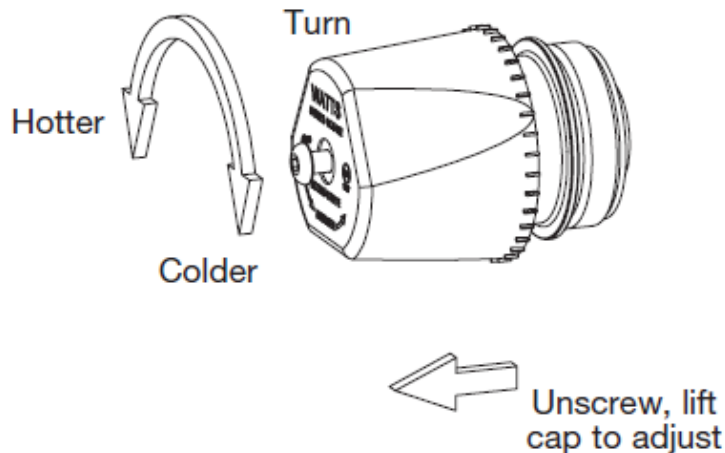
### Plomberie de remplissage

- Les conduites utilisées pour le remplissage doivent avoir une longueur maximale de 15 m (49 pi) et permettre 10 changements de direction.
- S'assurer d'incliner les conduites pour qu'il soit plus facile de retirer l'eau lors du drainage.



## Paramètres d'installation de la douche

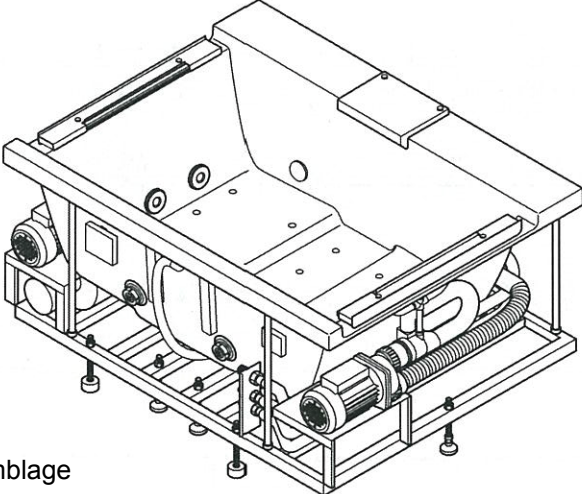
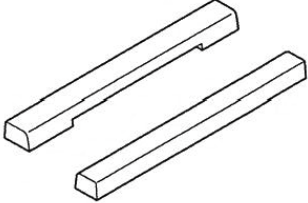


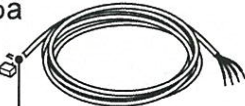
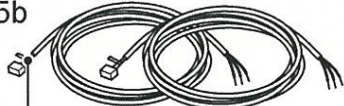



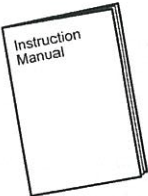


1. Confirmation de la pression d'eau
  - Approvisionnement en eau chaude et froide :  
Pression d'eau minimale requise (lors de l'écoulement) : 11,6 psi (0,08 MPa)  
Pression d'eau minimale requise (lorsque l'eau ne coule pas) : 108,75 psi (0,75 MPa)
  - Si la pression d'eau d'approvisionnement dépasse 108,75 psi (0,75 MPa), réduire la pression à environ 29 psi (0,20 MPa) au moyen d'une valve de réduction de pression que l'on trouve en magasin.
2. Confirmation de la température de l'eau chaude
  - Régler la température de l'eau chaude à un maximum de 70 °C (158 °F).
  - Ne pas **utiliser de vapeur d'eau** au lieu de l'eau chaude.
3. Plomberie
  - Éviter de **brancher l'approvisionnement en eau chaude et froide à l'envers**.
  - Installer la conduite d'alimentation en eau chaude le plus près possible du chauffe-eau pour réduire la résistance.
4. Codes du bâtiment local et national
  - Le respect de tous les codes du bâtiment locaux et nationaux est obligatoire et l'emporte sur les exigences indiquées dans ce manuel.
5. Valve de stabilisation (fournie)
  - La sortie d'eau chaude pour la douche sera contrôlée par la valve de stabilisation. La valve de stabilisation est pré réglée à 41 °C (105 °F)
  - Vérifier les codes applicables pour assurer la conformité et s'ajuster au besoin. La valve de stabilisation est située sous la douche, près du cadre du bain. La procédure d'ajustement se trouve ci-dessous.



1. Supply hot and cold water to the shower. Turn on only the hot water on the shower.
2. Let the water flow for at least two minutes to allow the supply temperature to stabilize.
3. Measure the outlet water temperature by placing a thermometer in the water stream.
4. To adjust the setting of the valve, loosen the locking cap screw, lift the cap at least 1/4" and turn. To increase the set temperature turn counterclockwise. To decrease the set temperature turn clockwise.
5. Lower the handle and tighten the screw.
6. Confirm the outlet water temperature.

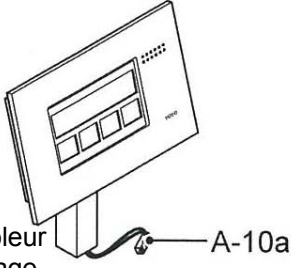
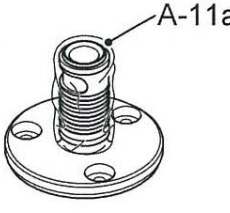
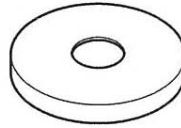
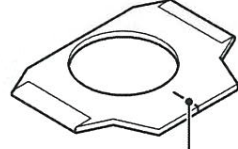

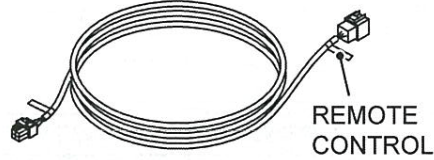
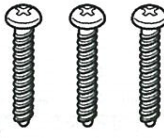
# Pièces incluses

## ■ Bain

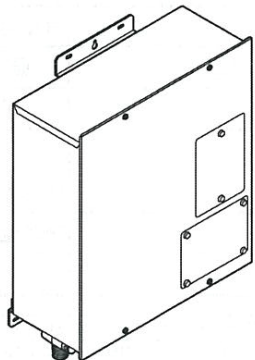
<p>A-1</p>  <p>Bain Assemblage</p>	<p>A-2</p>  <p>Coussins</p>		
	<p>A-3</p>  <p>Moules de support pour les pattes</p>		
	<p>A-4</p>  <p>Feuille de mousse de polyéthylène</p>		
<p>A-5</p> <p>Courroies de branchement</p> <div style="display: flex; justify-content: space-around;"> <div data-bbox="418 949 704 1100"> <p>A-5a</p>  <p>AIR BLOWER</p> </div> <div data-bbox="867 949 1250 1100"> <p>A-5b</p>  <p>PUMP1 / PUMP 2</p> </div> </div> <div style="display: flex; justify-content: space-around; margin-top: 20px;"> <div data-bbox="289 1180 565 1344"> <p>A-5c</p>  <p>WATER SENSOR</p> </div> <div data-bbox="678 1180 964 1373"> <p>A-5d</p>  <p>UNDERWATER LIGHTING 1 / 2</p> </div> <div data-bbox="1078 1180 1370 1373"> <p>A-5e</p>  <p>WATER LEVEL SENSOR / REMOTE CONTROL</p> </div> </div>			
<p>Manuel d'instructions</p> <p>A-6</p> 	<p>Guide d'installation</p> <p>A-7</p> 	<p>Spatule de nettoyage pour la sortie d'eau des épaules</p> <p>A-8</p> 	

Les articles A-6 et A-8 doivent être remis au client une fois l'installation terminée.

## ■ Support du contrôleur

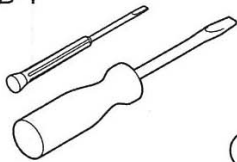
<p>A-10</p>  <p>Support du contrôleur Assemblage</p> <p>A-10a</p>	<p>A-11</p>  <p>A-11a</p> <p>Base</p>	<p>A-12</p>  <p>Capuchon de la base</p>
<p>A-13</p>  <p>Bague collec- trice Assemblage</p> <p>A-13a</p>	<p>A-15</p>  <p>M4 Vis de réglage</p>	
<p>A-14</p>  <p>Courroie de la tige du contrôleur</p> <p>REMOTE CONTROL</p>	<p>A-16</p>  <p>4x30 Vis de montage de la base</p>	

## ■ Module fonctionnel

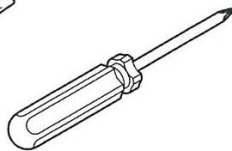
<p>A-17</p> 
---

# Outils requis

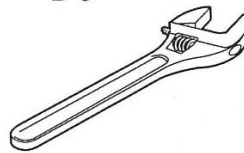
B-1



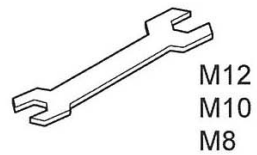
B-2



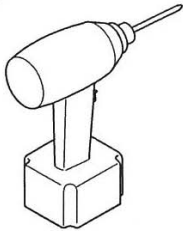
B-3



B-4



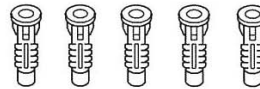
B-5



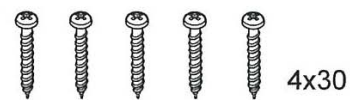
B-6



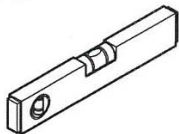
B-7



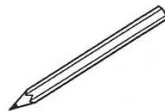
B-8



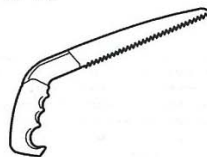
B-9



B-10



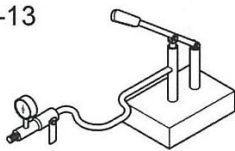
B-11



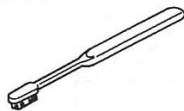
B-12



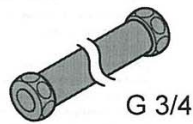
B-13



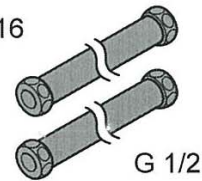
B-14



B-15



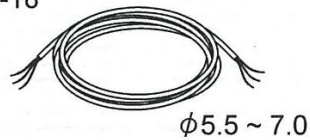
B-16



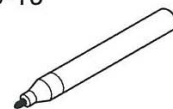
B-17



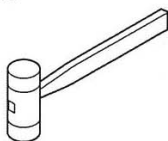
B-18



B-19



B-20



B-21



# Spécifications

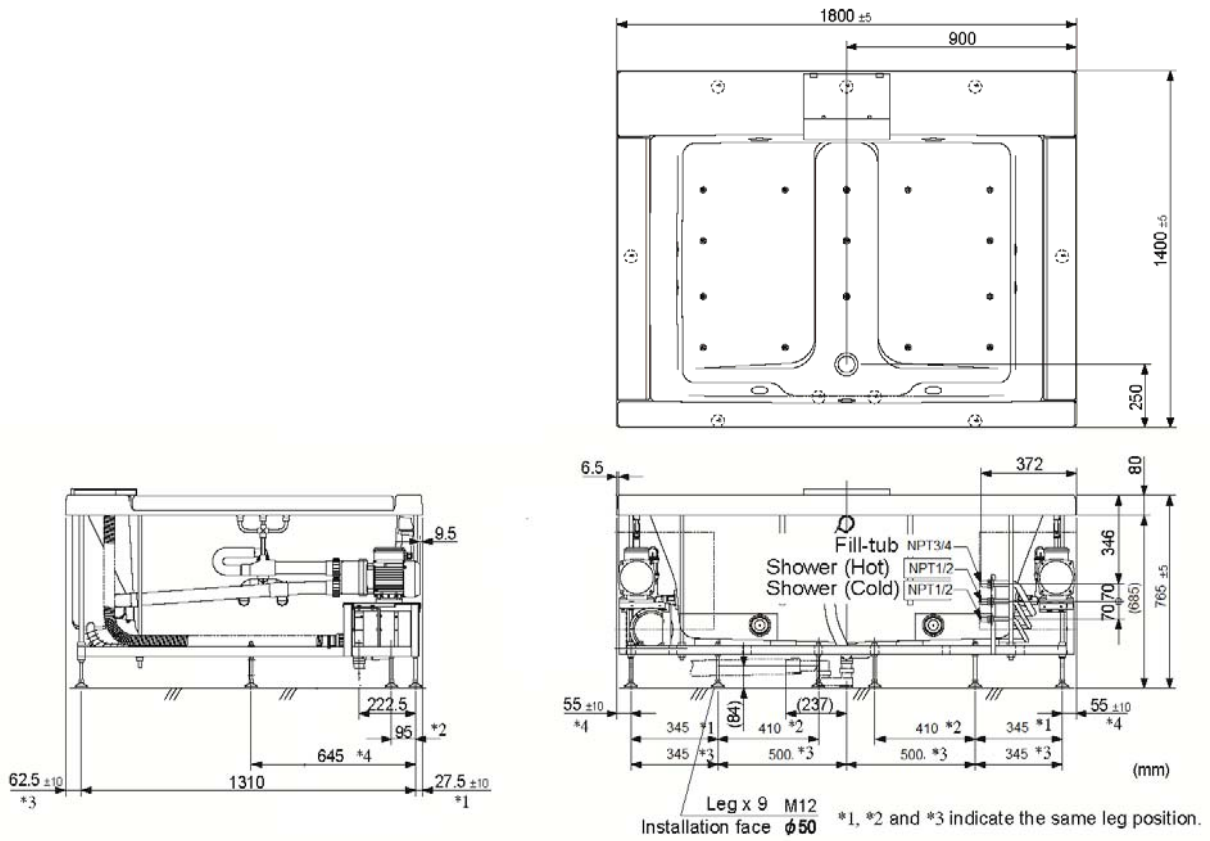
Bain	Dimensions		1 800 mm x 1 400 mm x 765 mm 70-7/8 po x 55-1/8 po x 30-1/8 po Y compris le cadre de soutien du bain		
	Poids		180 kilogrammes (397 livres)		
	Capacité		570 L (151 gallons) jusqu'à la ligne de débordement		
	Matériaux		Marbre synthétique acrylique		
	Caisson du bain	Ports d'écoulement		Un	
		Débit de remplissage du caisson		Max. 35 Lpm (9,2 gpm) (contrôlé par le module fonctionnel)	
	Ventilateur d'air	Nombre de jets		15 dans le fond du bain	
		Volume d'air		Max. 560 Lpm (148 gpm) (15 au total, contrôlés par le module fonctionnel)	
	Masseur pour les épaules (cascade)	Ports d'entrée		Deux	
		Ports d'écoulement		Deux	
		Débit d'écoulement		Max. 38 Lpm (10 gpm) (2 au total)	
	Masseur HydroHands	Ports d'entrée		Deux	
		Ports d'écoulement		Quatre	
		Débit d'écoulement		Max. 150 Lpm (40 gpm) (4 au total)	
	Éclairage sous l'eau	Modules d'éclairage		Deux	
Couleurs		Trois motifs, 10 couleurs individuelles			
Douche (deux poignées)	Usages		Nettoyer le bain		
	Pression d'eau	Pression d'eau minimale requise (lors de l'écoulement)		11,6 psi (0,08 MPa)	
		Pression d'eau maximale requise (lorsque l'eau ne coule pas)		108,75 psi (0,75 MPa)	
	Température de la prise d'eau	Chaud	Contrôle assuré par la valve de stabilisation (fournie)		
		Froid	0 à 30 °C (32 à 86 °F) sans congélation		
	Fils de branchement gradués	Chaud	NPT 1/2		
Froid		NPT 1/2			
Fils de branchement gradués pour le remplissage du bain			NPT 3/4		

## Spécifications (suite)

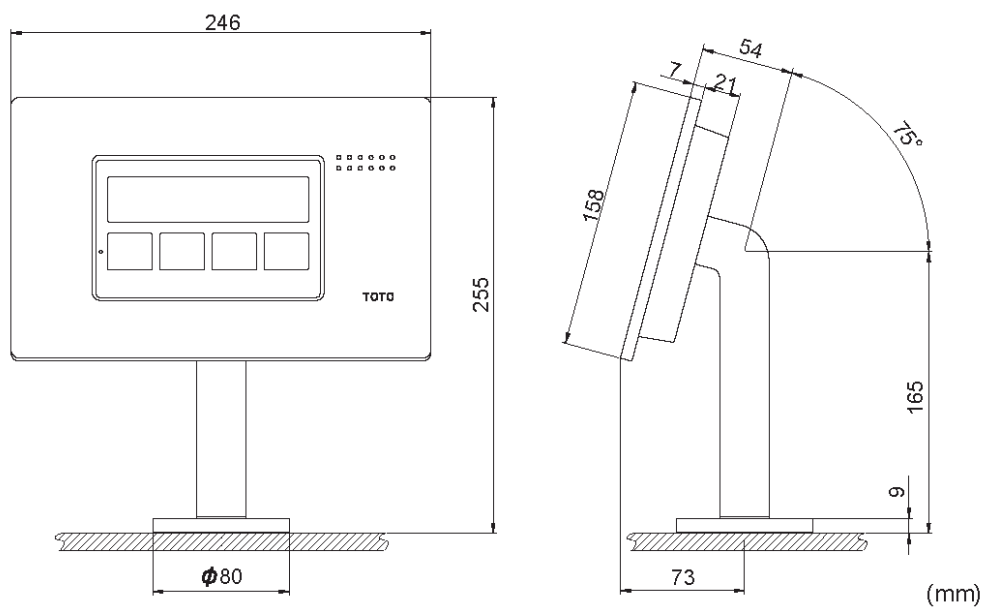
Support du contrôleur	Dimensions		246 mm x 113 mm x 255 mm (9-11/16 po x 4-7/16 po x 10-1/16 po)
	Poids		2,8 kg (6 livres), dont le contrôleur
	Angle ajustable		90°
Module fonctionnel	Dimensions		422 mm x 180 mm x 476 mm (16-5/8 po x 7-1/16 po x 18-3/4 po) La hauteur externe exclut les ports de connexion.
	Poids		14 kilogrammes (31 livres)
	Tension nominale		120 VCA
	Fréquence nominale		60 Hz
	Courant nominal		14,3 A
	Consommation de puissance nominale		1 490 W
	Consommation en mode attente		7,0 W
	Emplacement d'installation		À l'intérieur (endroit sans condensation, humidité ou congélation; ailleurs que dans la salle de bain)
	Pression d'eau	Pression d'eau minimale requise (lors de l'écoulement)	29 psi (0,20 MPa)
		Pression d'eau maximale requise (lorsque l'eau ne coule pas)	108,75 psi (0,75 MPa)
	Température de la prise d'eau	Chaud	60 à 70 °C (140 à 158 °F)
		Froid	0 à 30 °C (32 à 86 °F) sans congélation
	Fils de branchement gradués	Chaud	NPT 3/4
		Froid	NPT 3/4
		Remplissage	NPT 3/4
Dispositif de sécurité		Dispositif d'interruption du fonctionnement continu, dispositif de protection contre les surtensions et disjoncteur de fuite de terre	

# Dessins des dimensions

## ■ Bain

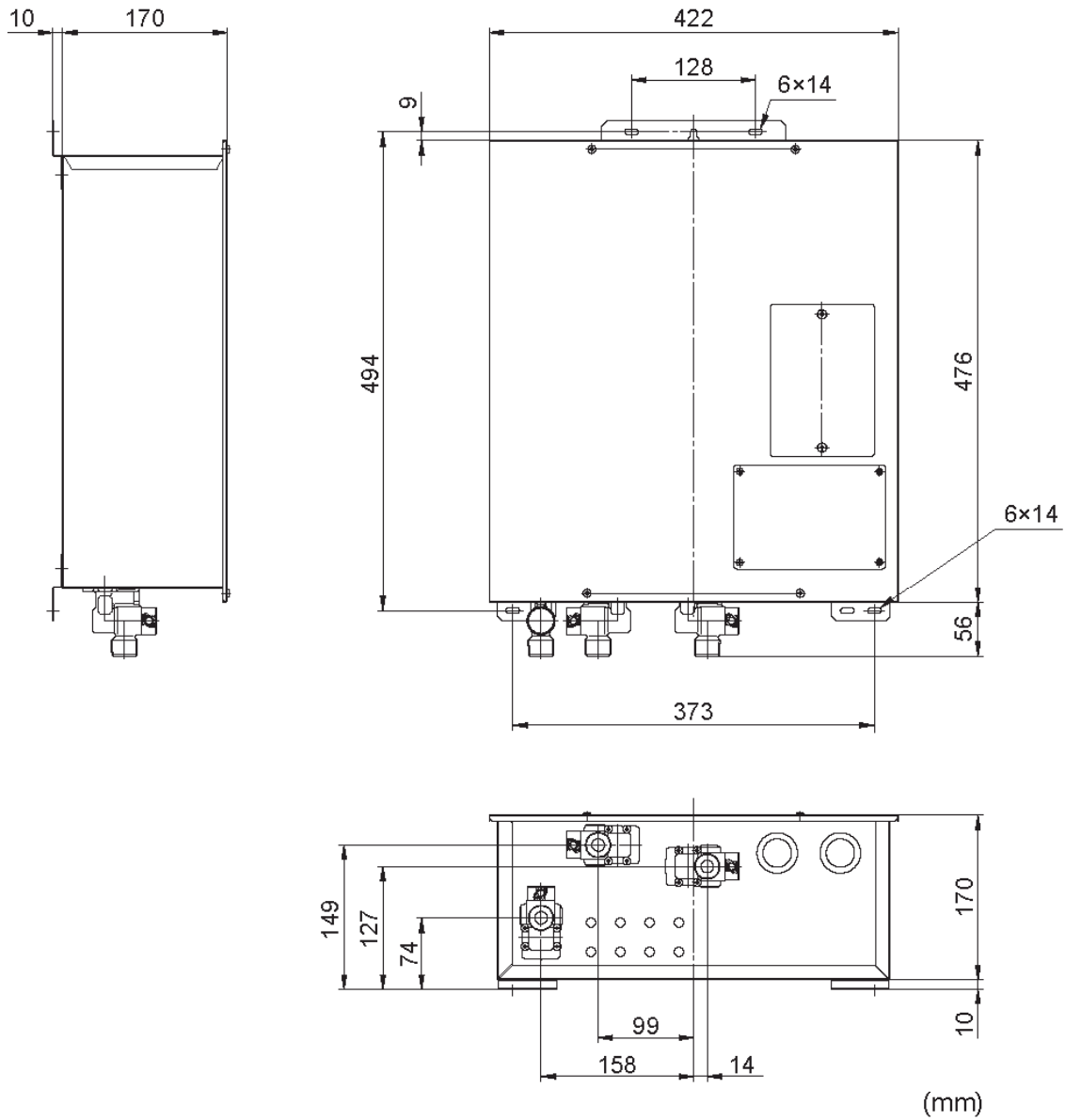


## ■ Support du contrôleur



# Dessins des dimensions (suite)

## ■ Module fonctionnel





## Procédure d'installation

Établissement de la base - positionner le bain ► Voir la page 16



Installation du module fonctionnel ► Voir la page 20



Tester le fonctionnement ► Voir la page 24  
● Codes d'erreur ► Voir la page 44



Finition ► Voir la page 34



Installation du support du contrôleur ► Voir la page 37



Nettoyage du filtre dans le bouchon du drain ► Voir la page 41

## Sens des indications



: Task that must be conducted by the installer



: Action that the NEOREST should perform automatically



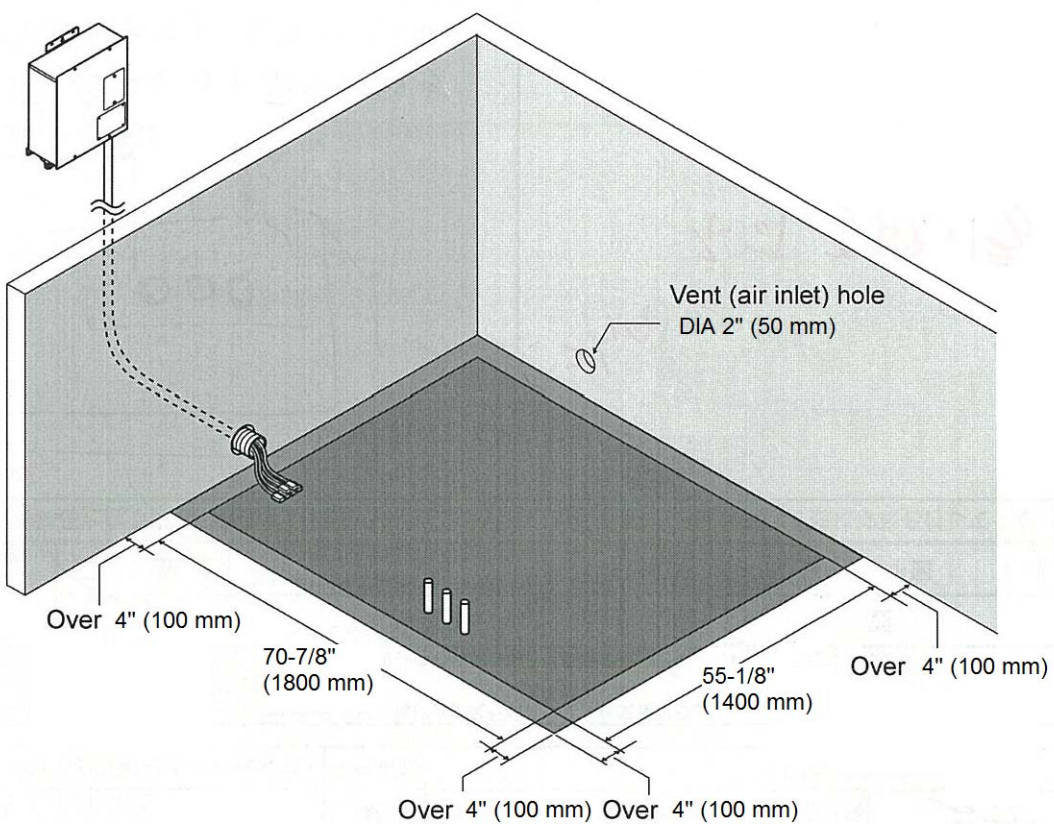
: Work that requires confirmation



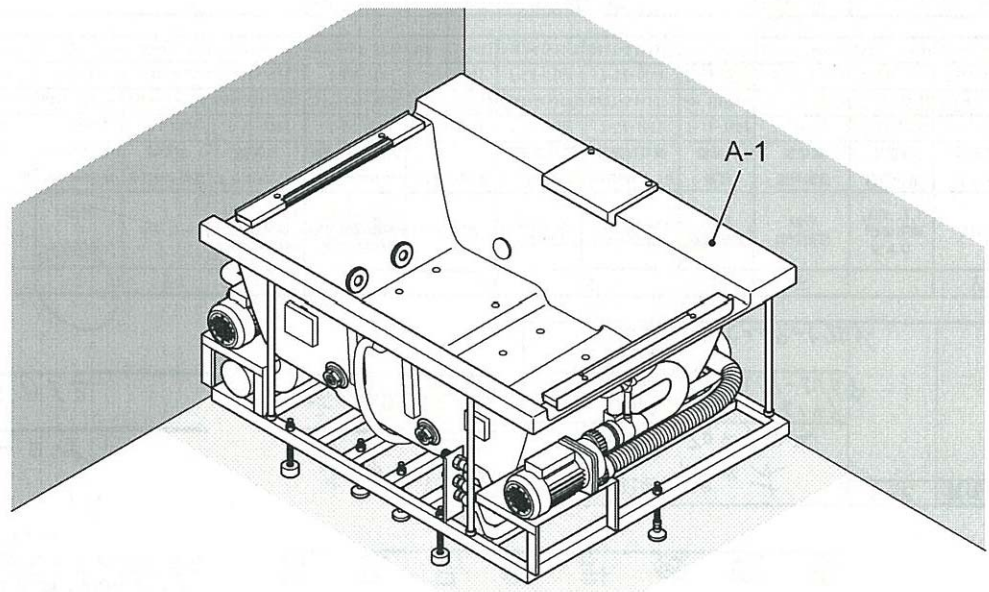
: Shows the work sequence

# Établissement de la base - placer le bain sur sa base

1

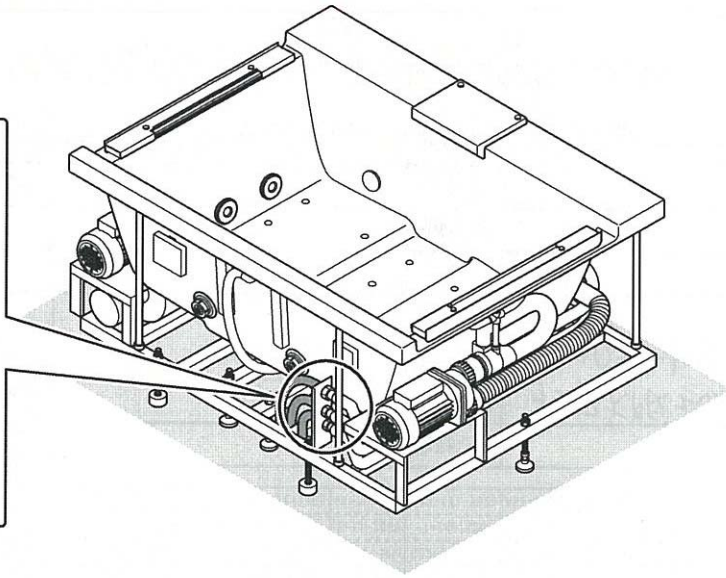
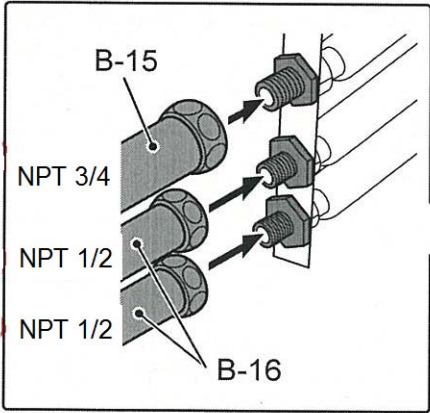


2

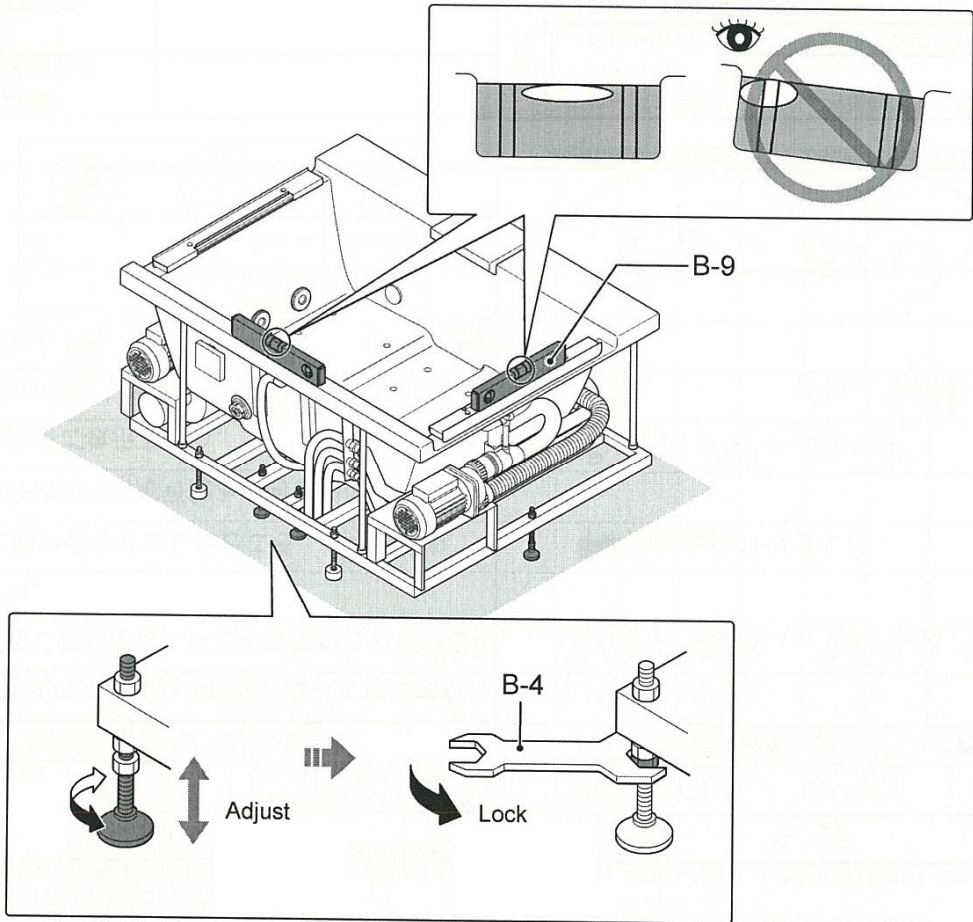


# Établissement de la base - placer le bain sur sa base

## 3

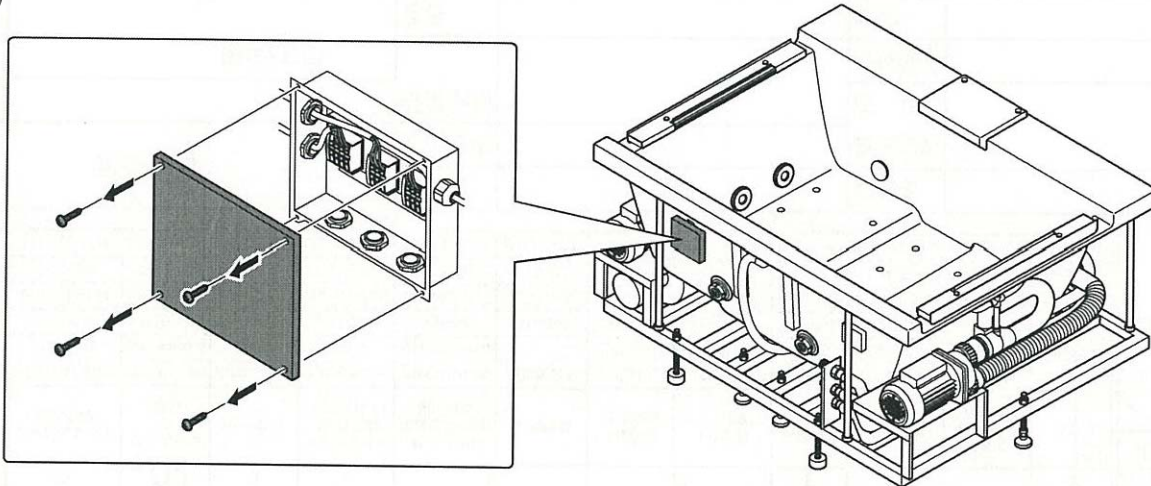


## 4

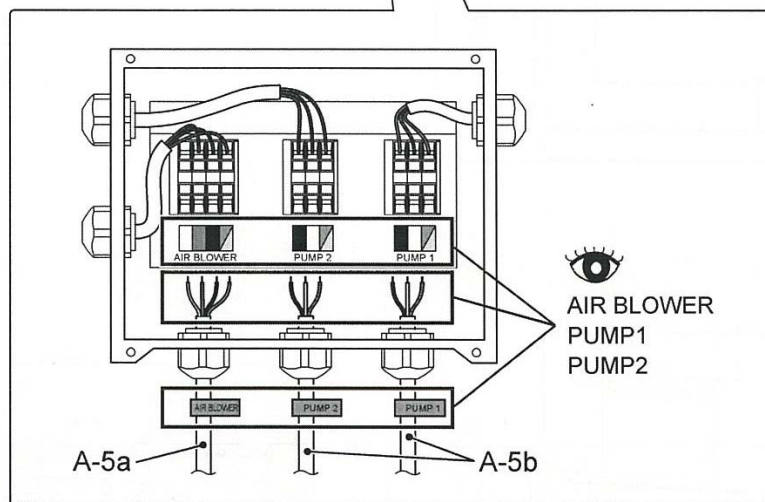
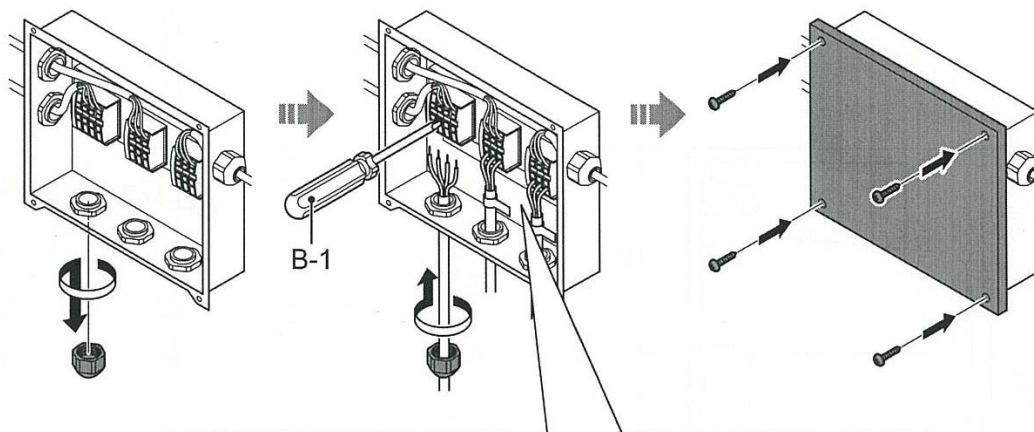


# Établissement de la base - placer le bain sur sa base

## 5

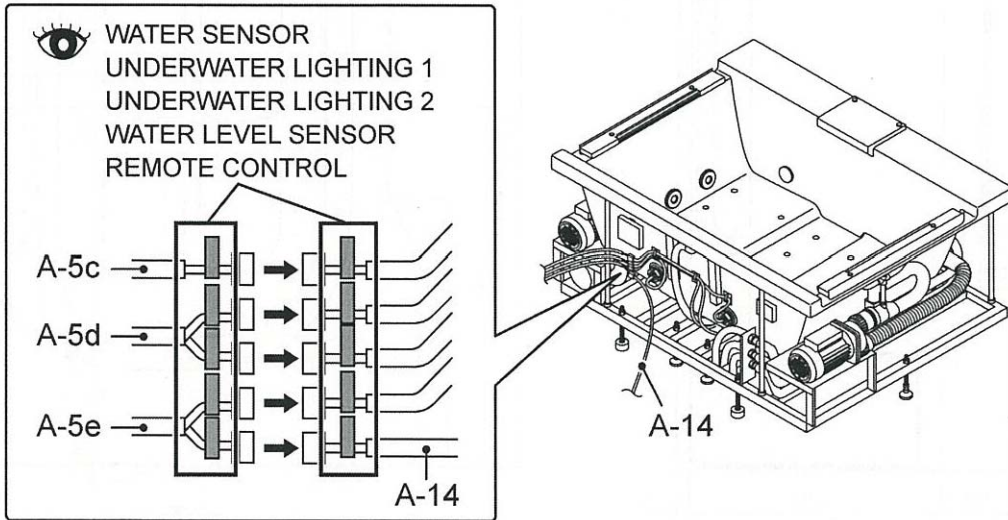


## 6

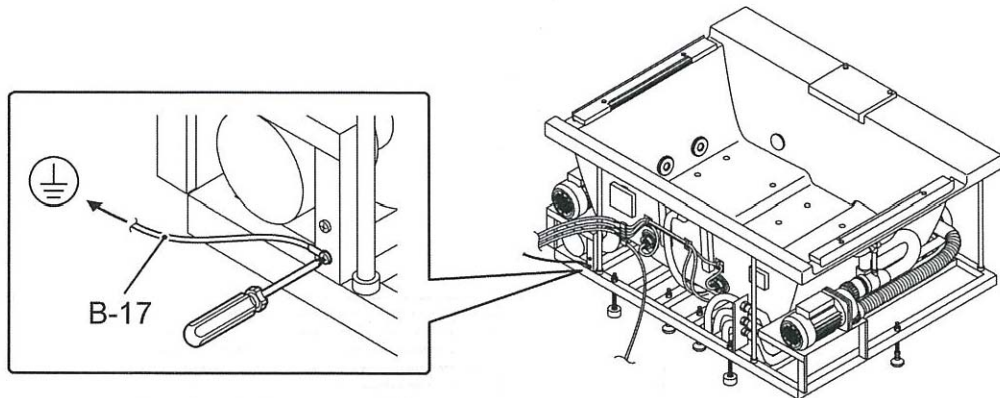


# Établissement de la base - placer le bain sur sa base

7



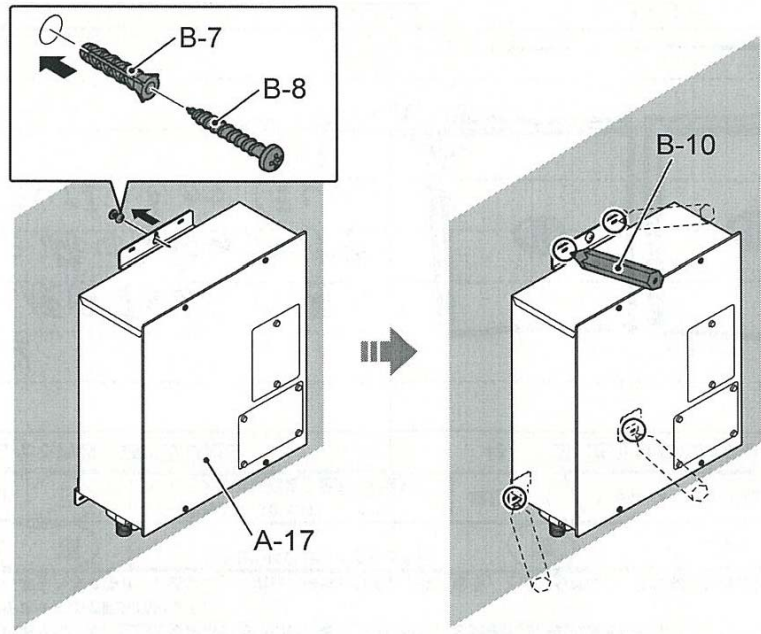
8



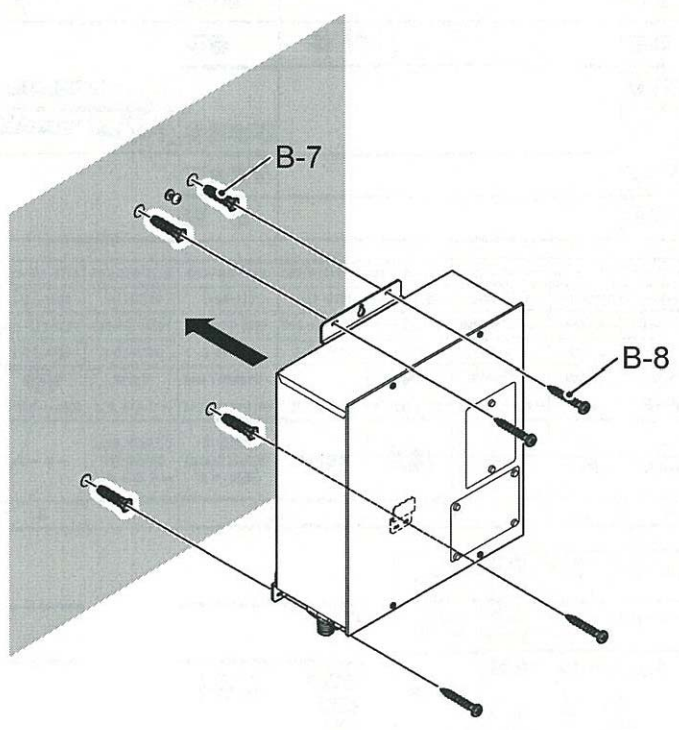
# Installation du module fonctionnel

1

Install indoors (Not in the bathroom)



2



## Installation du module fonctionnel

### 3

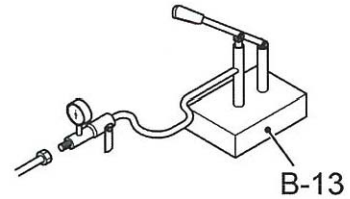
### ■ Inspecter pour relever la présence de fuites dans la plomberie de remplissage

#### ⚠ ATTENTION

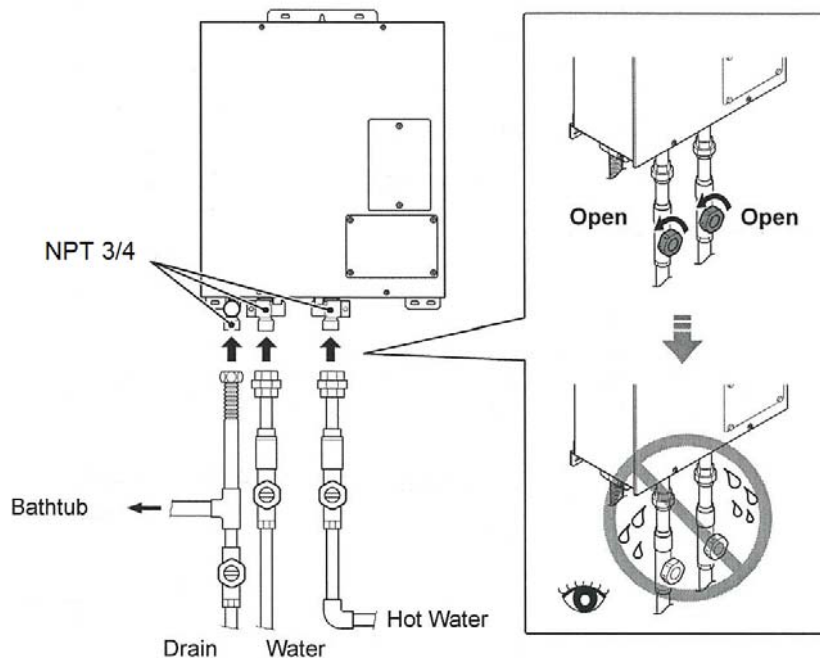
In-  
terdictions

Ne pas appliquer de pression additionnelle sur le matériel.  
 • Pression et durée de l'inspection : 43,5 psi (0,30 MPa) pendant cinq minutes ou plus.

1. Installer une valve à une extrémité de la plomberie pour le remplissage. (Valve ouverte.)
2. Installer une pompe d'appoint à l'autre extrémité pour acheminer l'eau dans la plomberie de remplissage.
3. Une fois que l'air a été retiré de la plomberie de remplissage et qu'elle est remplie d'eau, fermer la valve installée.
4. Inspecter pour relever les fuites.
  - Utiliser une jauge à pression qui permet de mesurer la pression au moment de l'inspection.
  - S'assurer qu'il n'y a pas de fuites ni de chutes de pression près de la jauge.
5. Si des fuites de pression sont découvertes, effectuer le test de nouveau après avoir réparé les fuites.



### 4



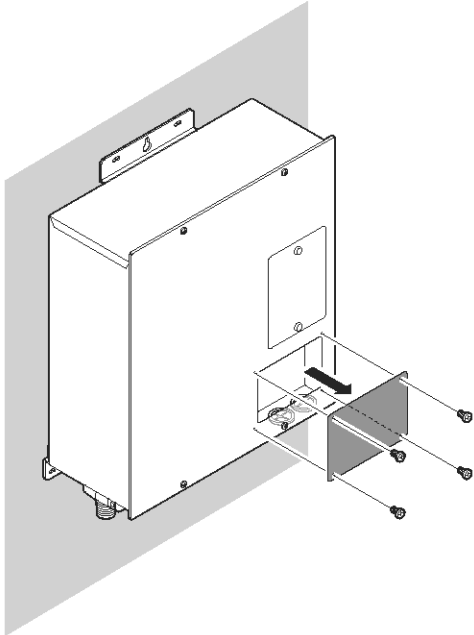
#### ⚠ ATTENTION

! Obligatoire

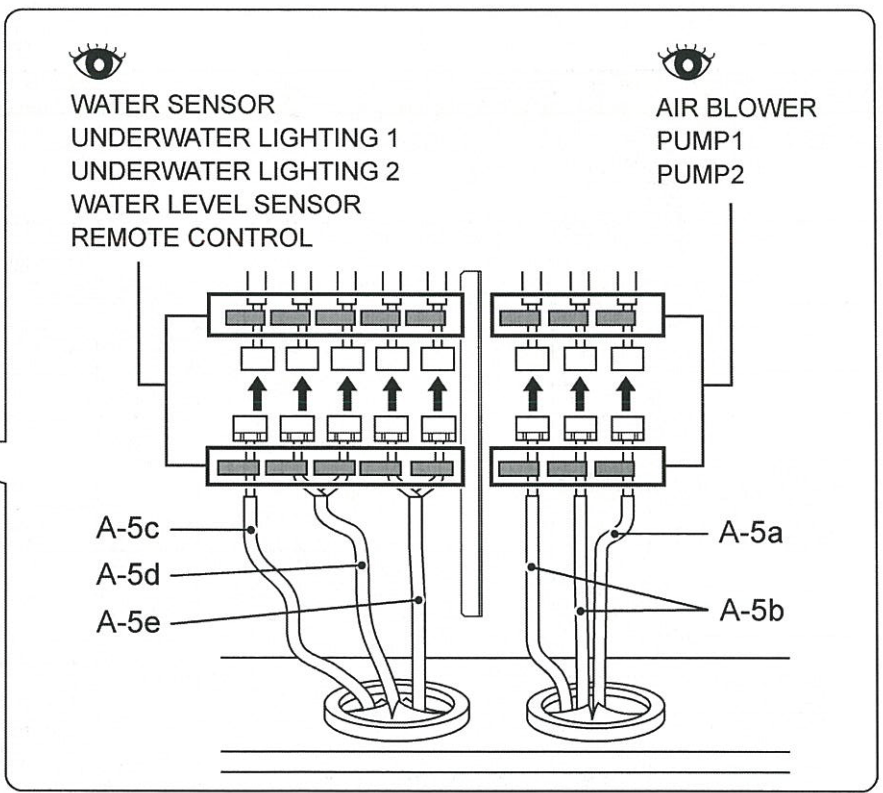
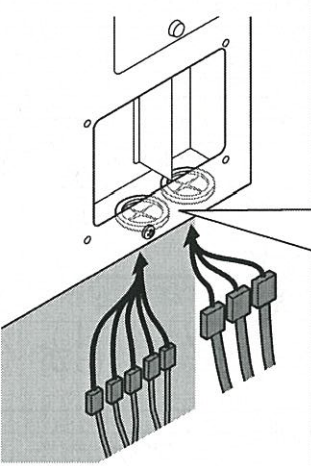
Installer des clapets antiretour sur les conduites d'eau chaude et froide et les valves de fermeture.

# Installation du module fonctionnel

## 5



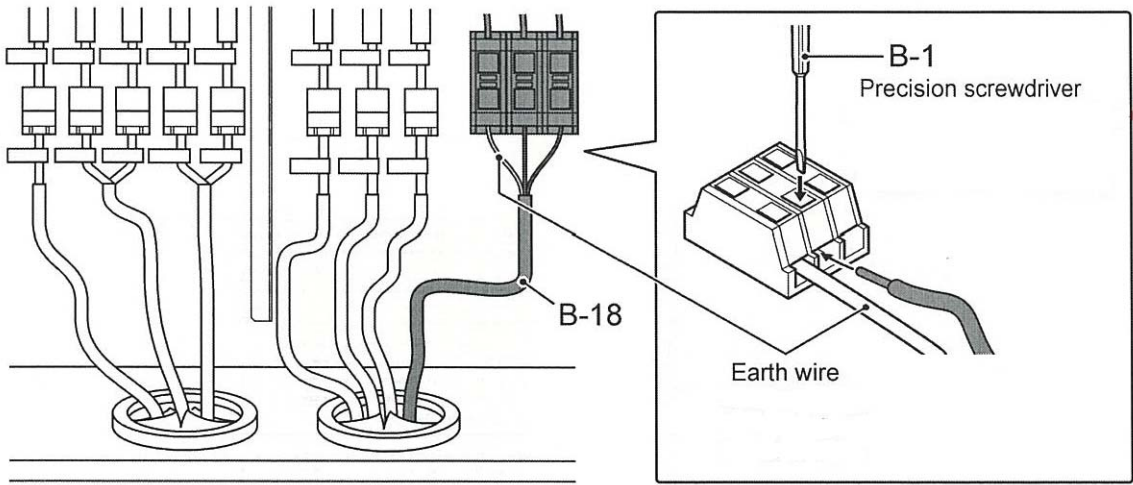
## 6



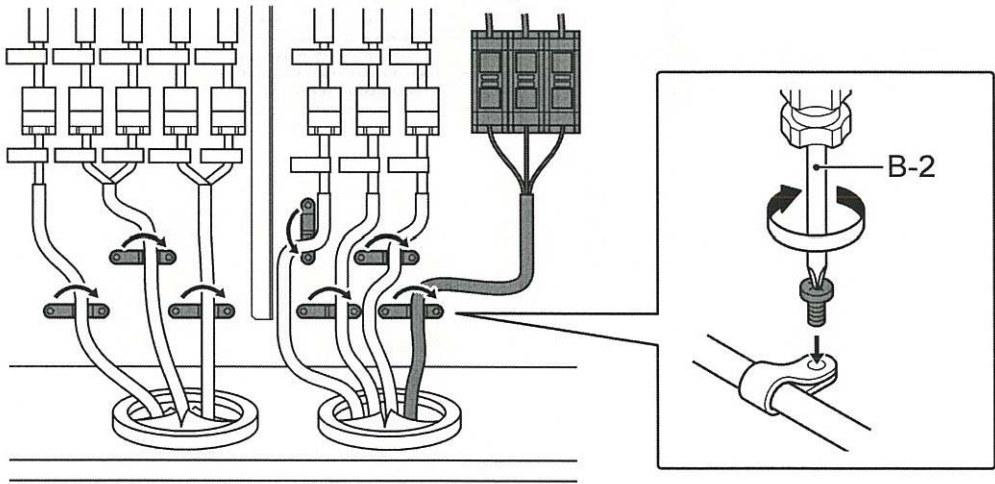


# Installation du module fonctionnel

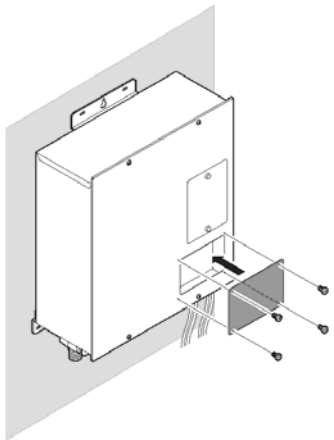
7



8



9



# Tester le fonctionnement

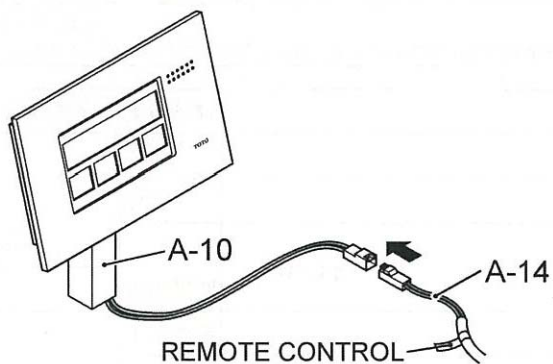
## ■ Préparation pour le test

**⚠ ATTENTION**

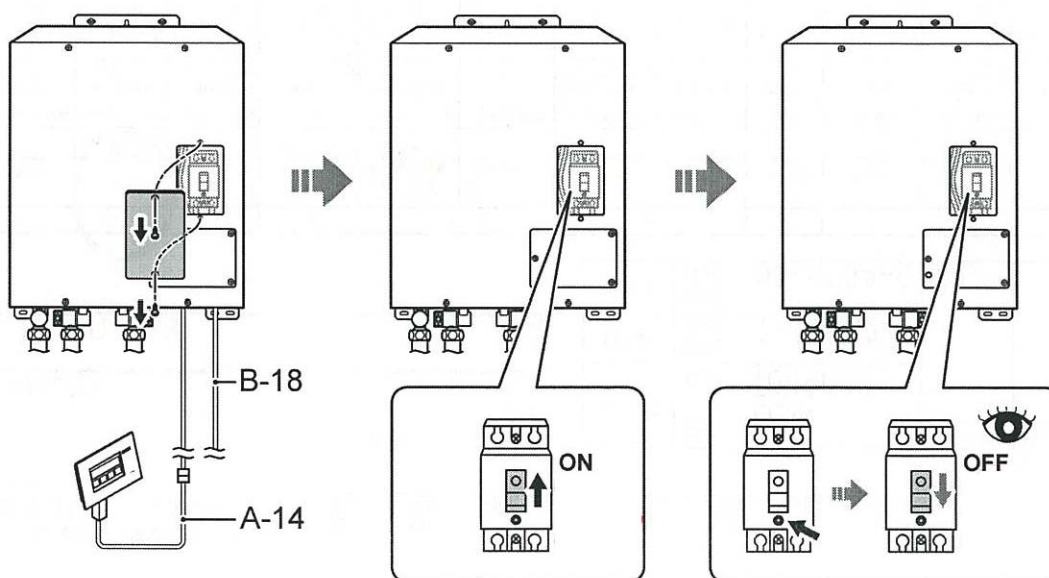
**!**  
Obligatoire

Effectuer lorsque le bain est vide.

1



2



# Tester le fonctionnement

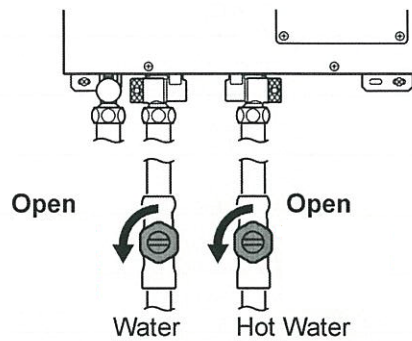
## ■ Préparation pour le test (suite)

 **ATTENTION**

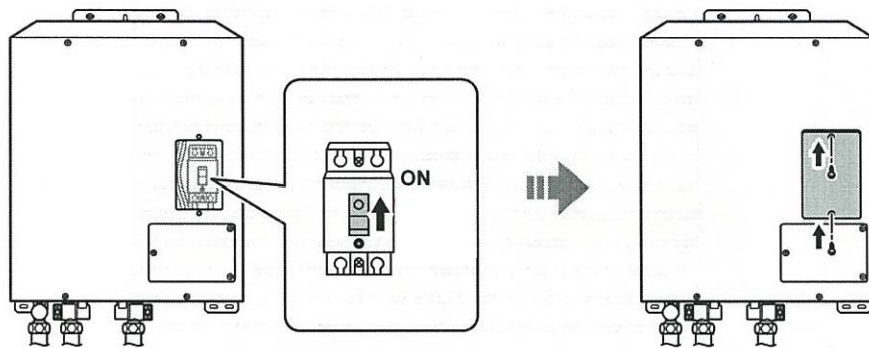
  
Obligatoire

Effectuer lorsque le bain est vide.

3



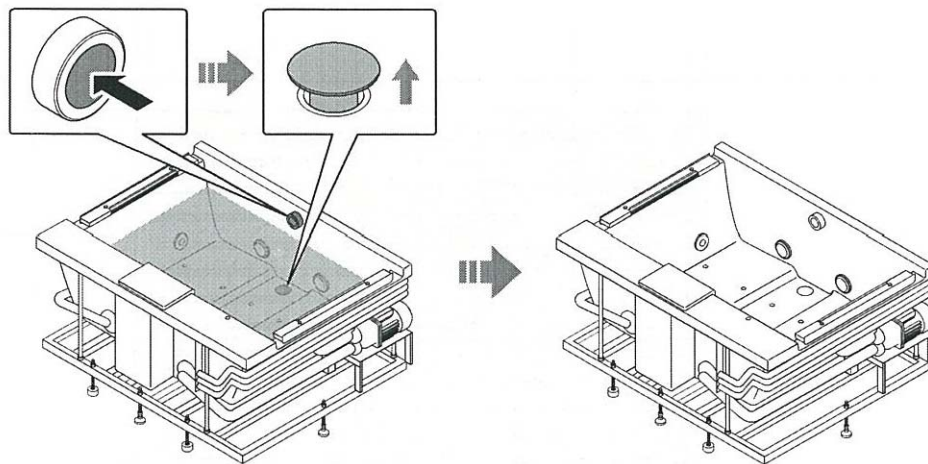
4



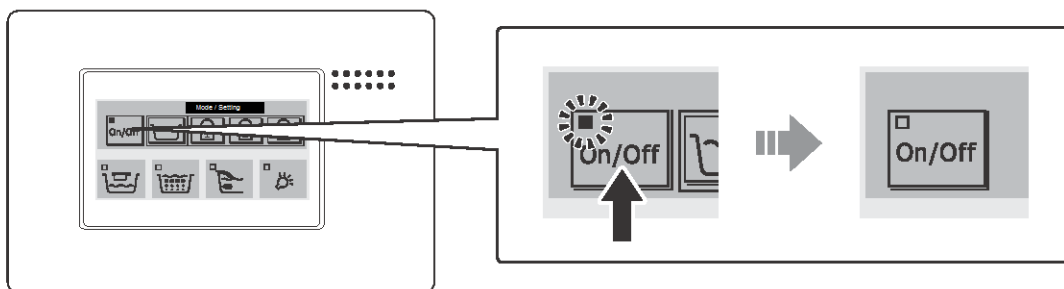
# Tester le fonctionnement

## ■ Réinitialisation des données du bain

1



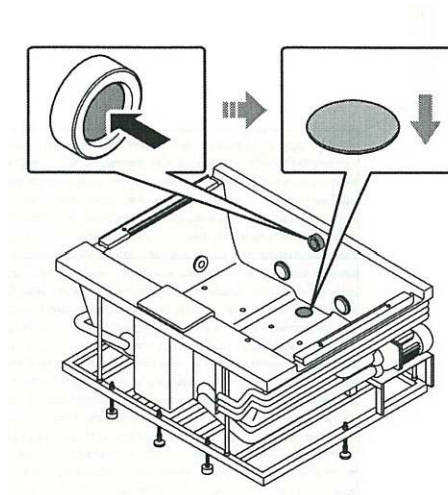
2



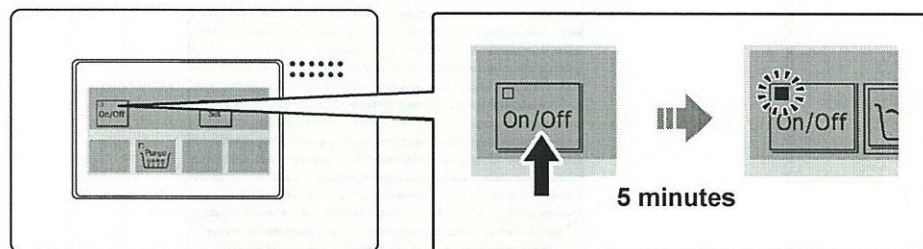
# Tester le fonctionnement

## ■ Remplissage

1

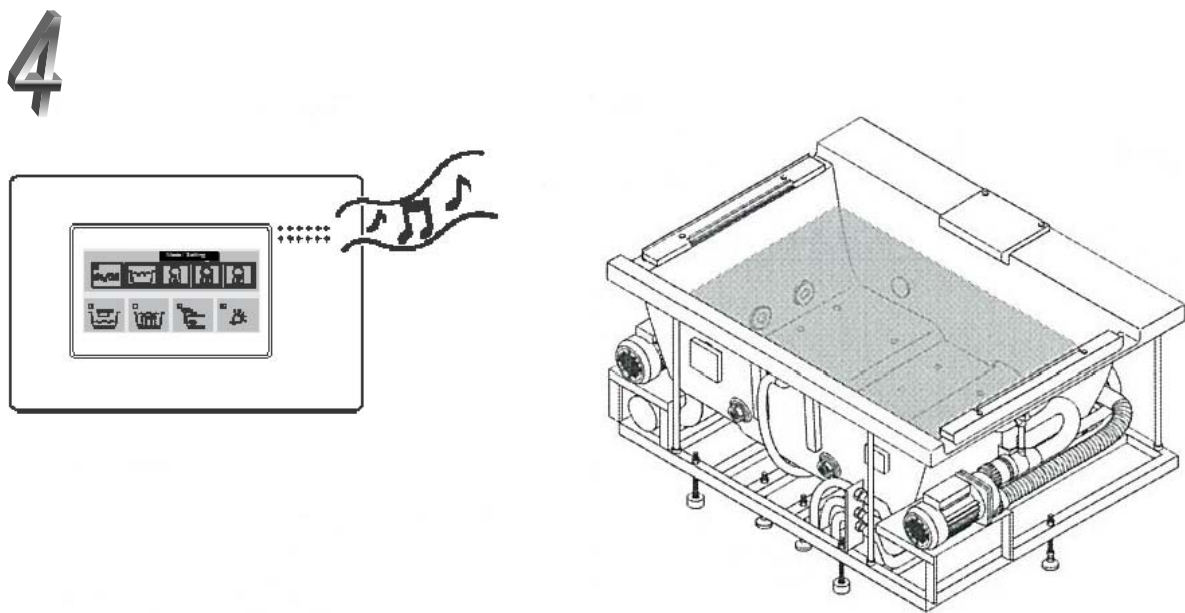
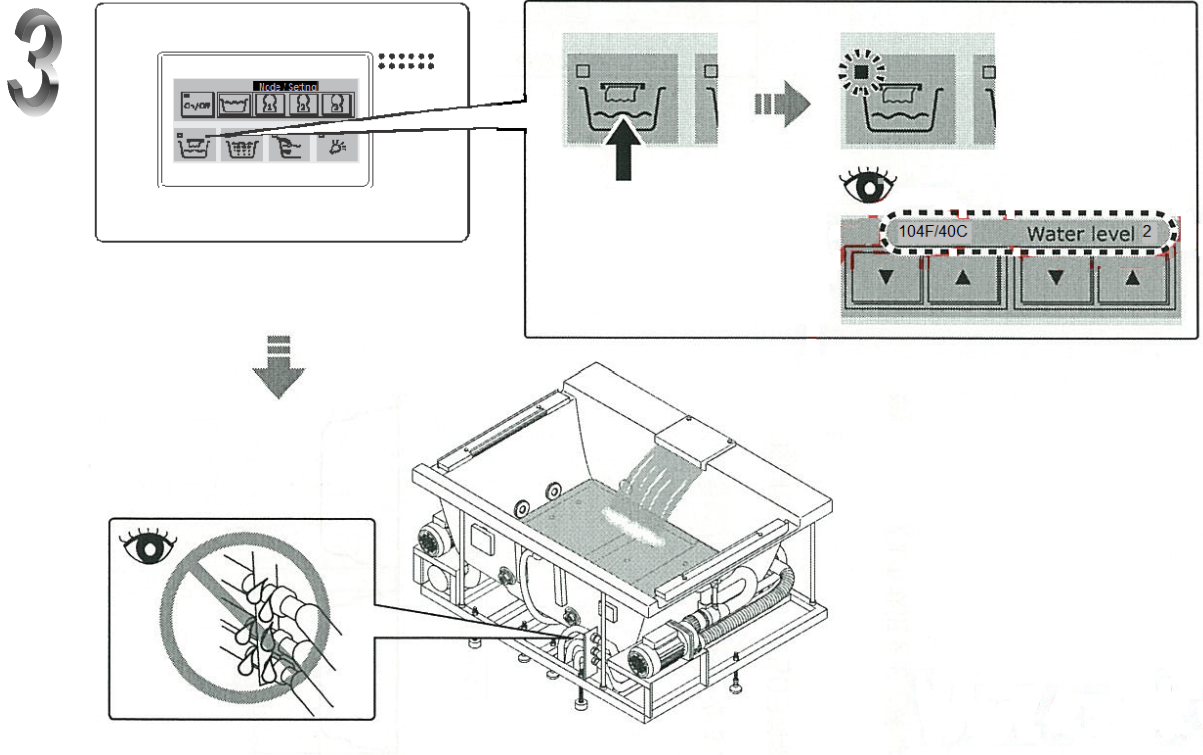


2



# Tester le fonctionnement

## ■ Remplissage (suite)



# Tester le fonctionnement

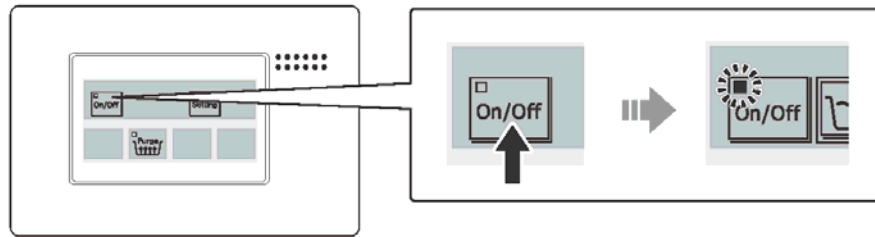
## ■ Ventilateur (10 minutes)

**⚠ ATTENTION**

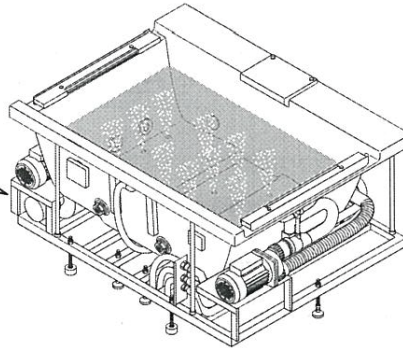
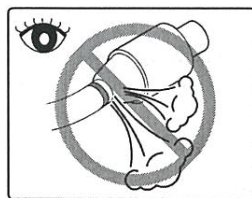
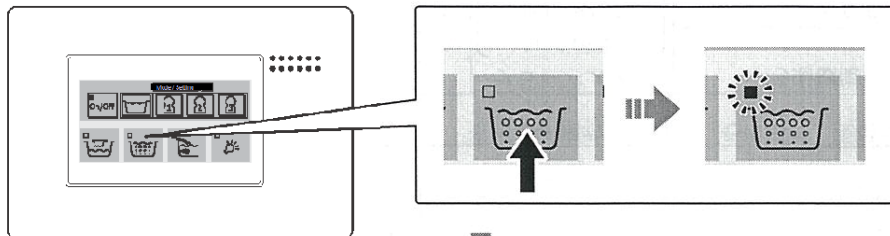
**!**  
Obligatoire

S'assurer qu'il y a de l'eau chaude dans le bain après avoir entamé le remplissage.

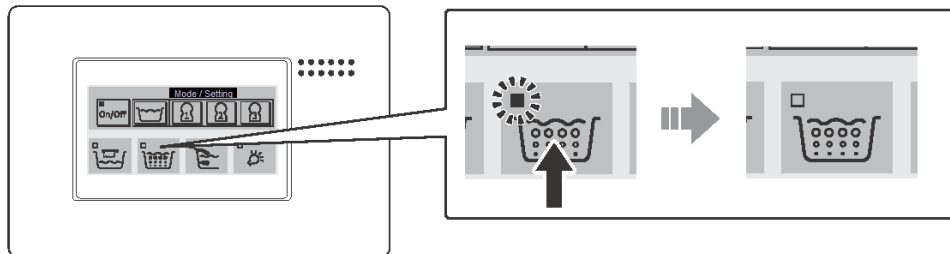
1



2



3



# Tester le fonctionnement

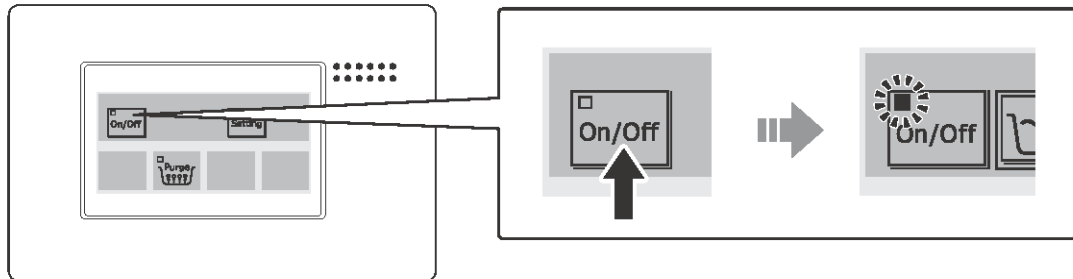
## ■ Masseur Hydro Hands pour les épaules (10 minutes)

 **ATTENTION**

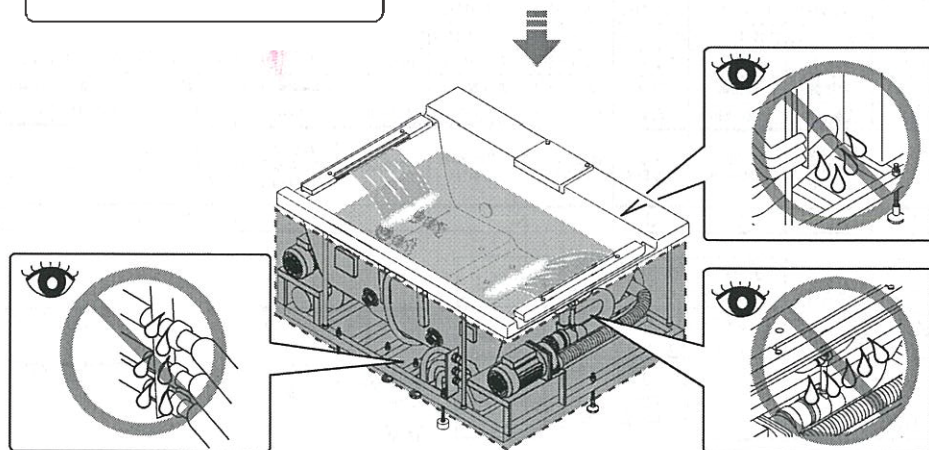
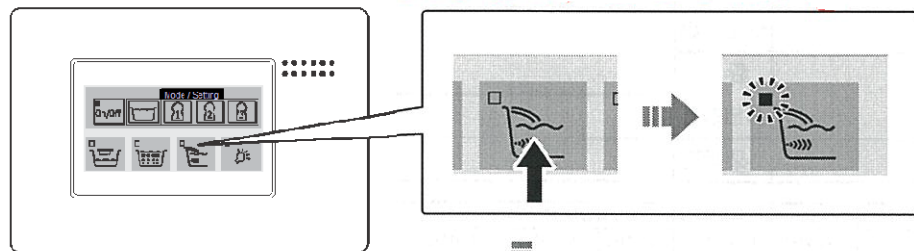
  
Obligatoire

S'assurer qu'il y a de l'eau chaude dans le bain après avoir entamé le remplissage.

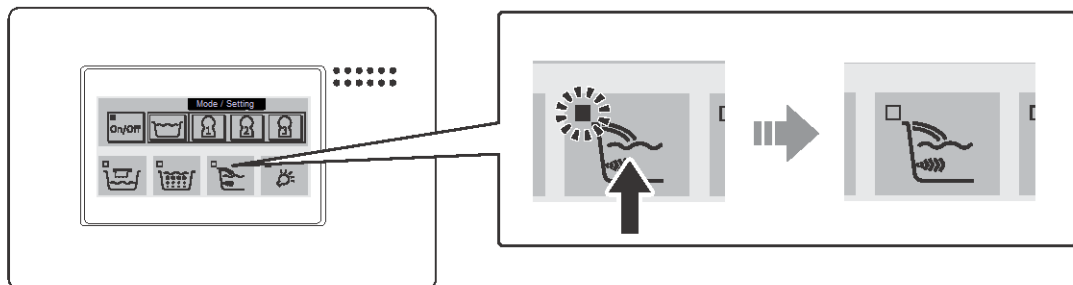
1



2



3

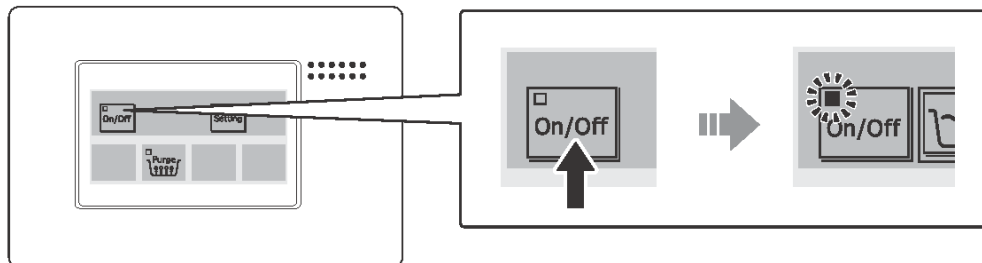




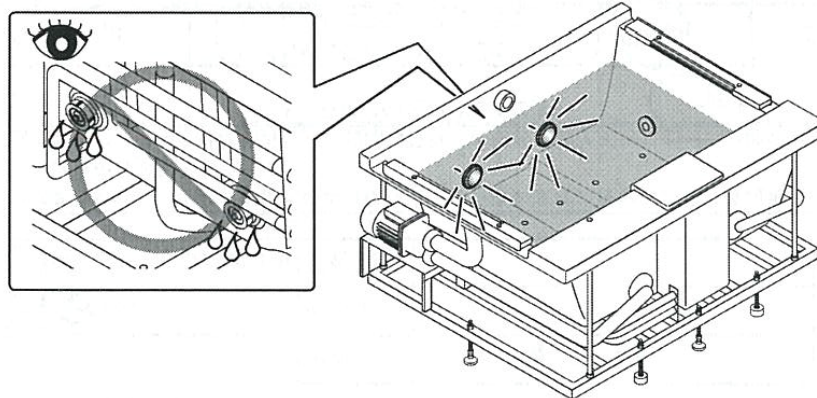
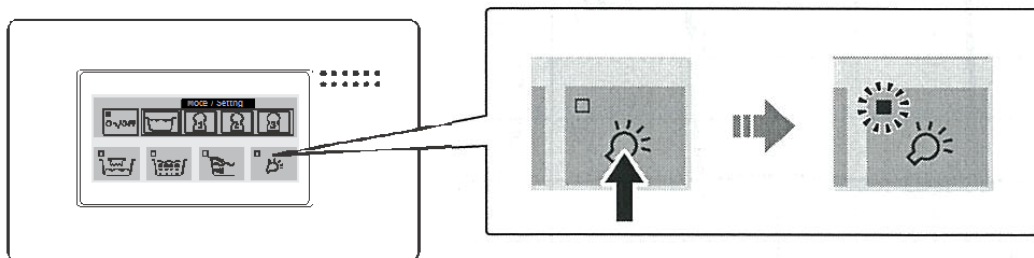
# Tester le fonctionnement

## ■ Éclairage sous l'eau

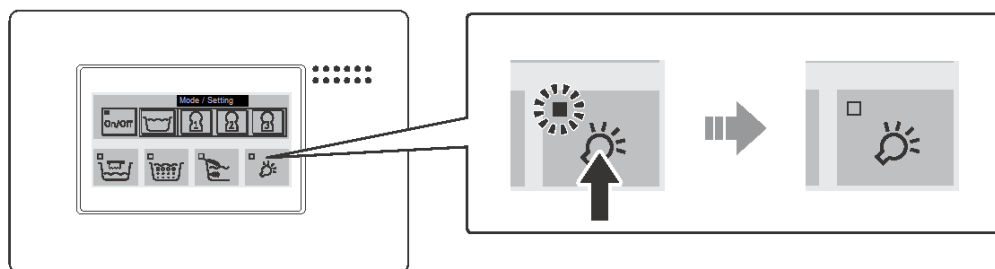
1



2



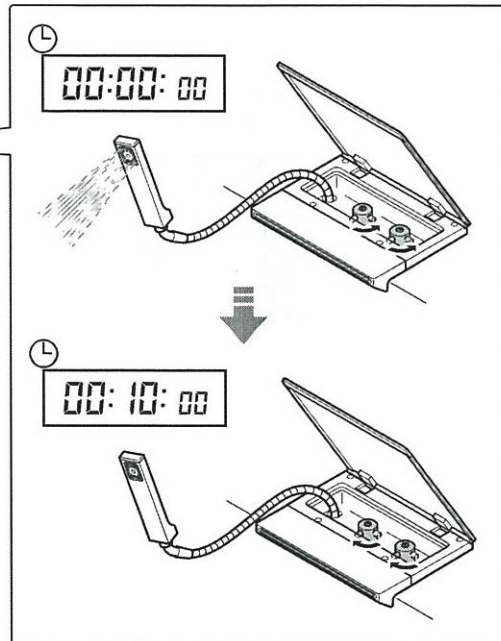
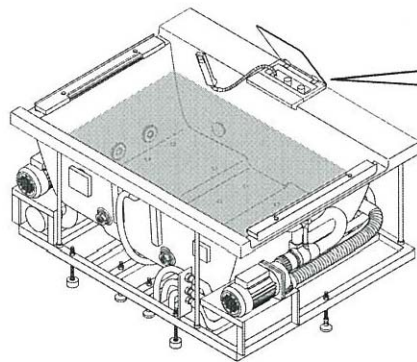
3



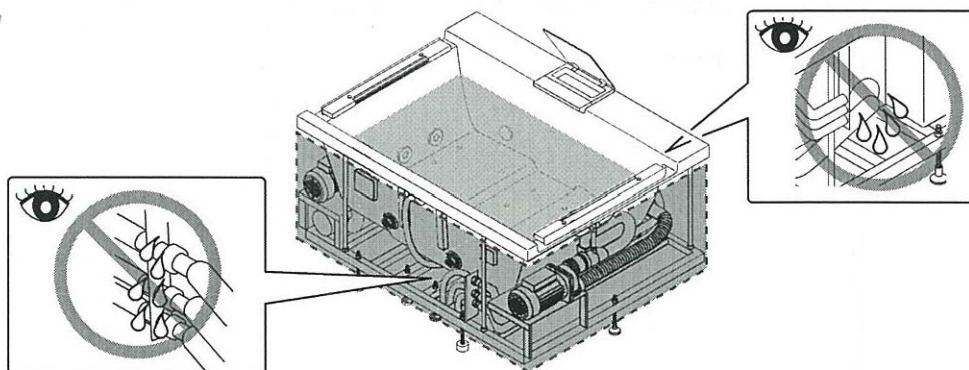
# Tester le fonctionnement

## ■ Douche

1

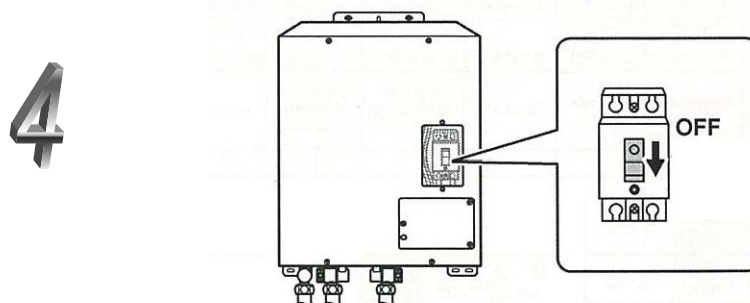
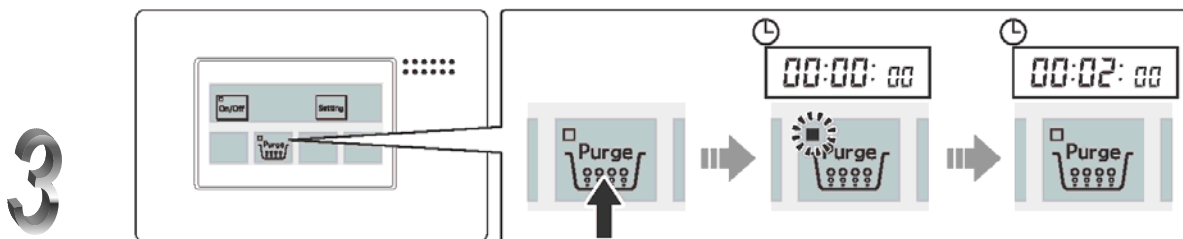
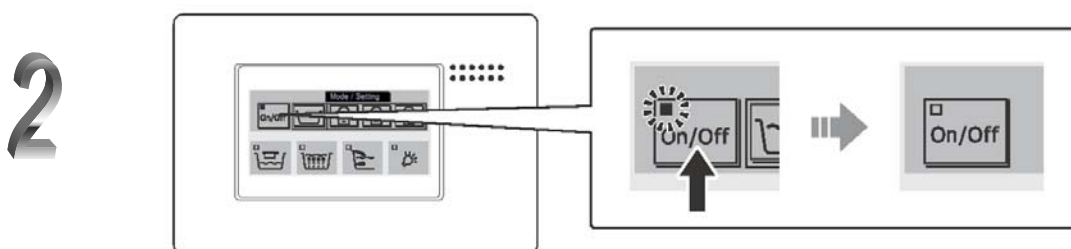
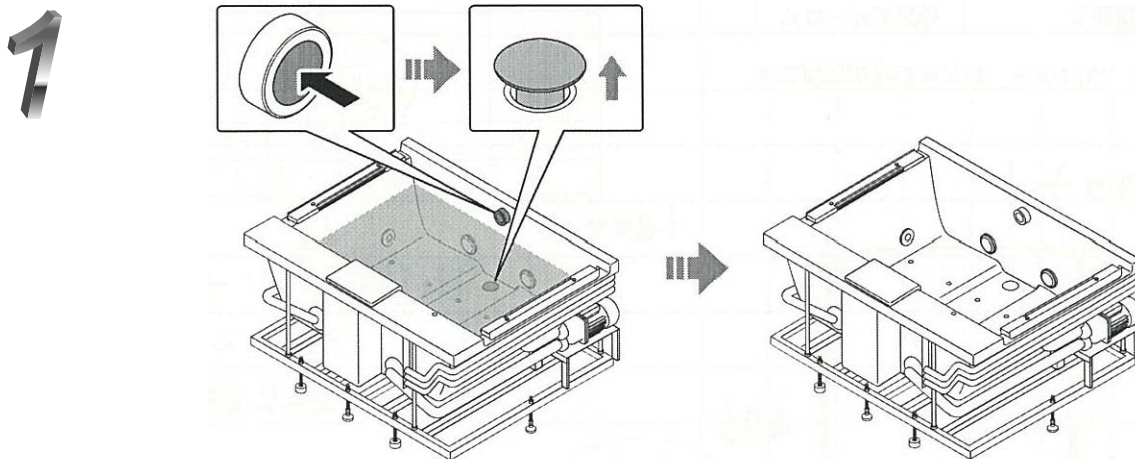


2



# Tester le fonctionnement

## ■ Vidange

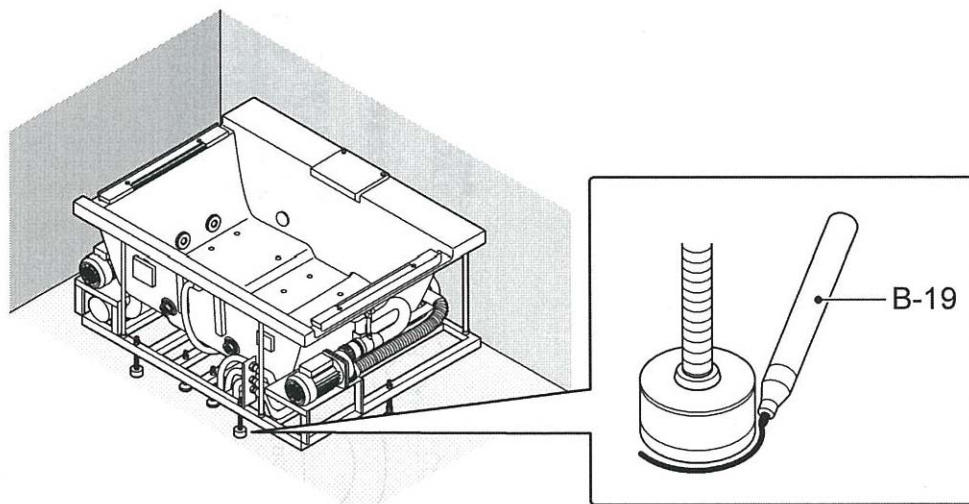


## En cas de problèmes de fonctionnement

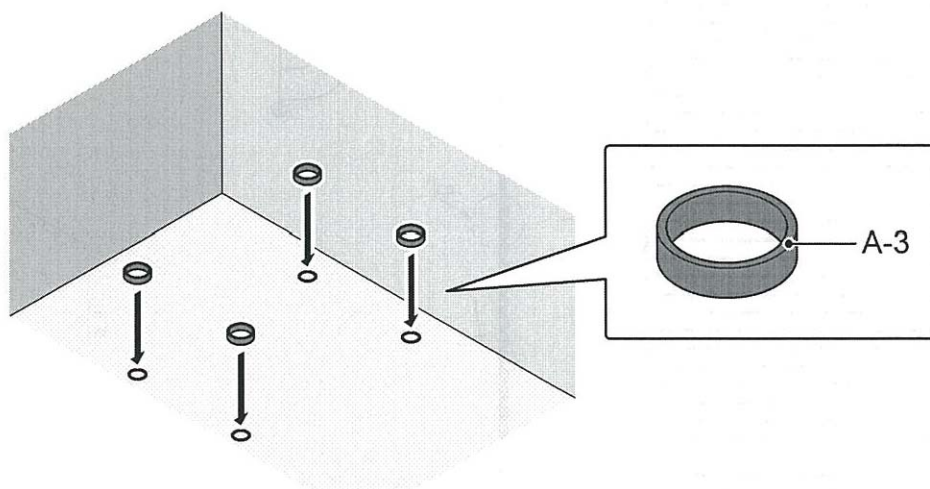
► Voir les Codes d'erreur à la page 44

# Finition

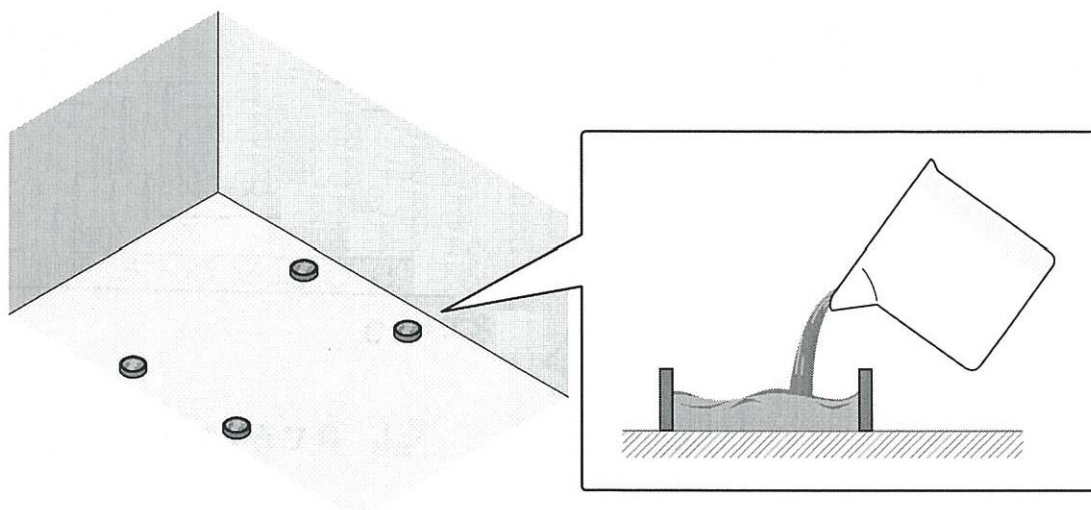
1



2

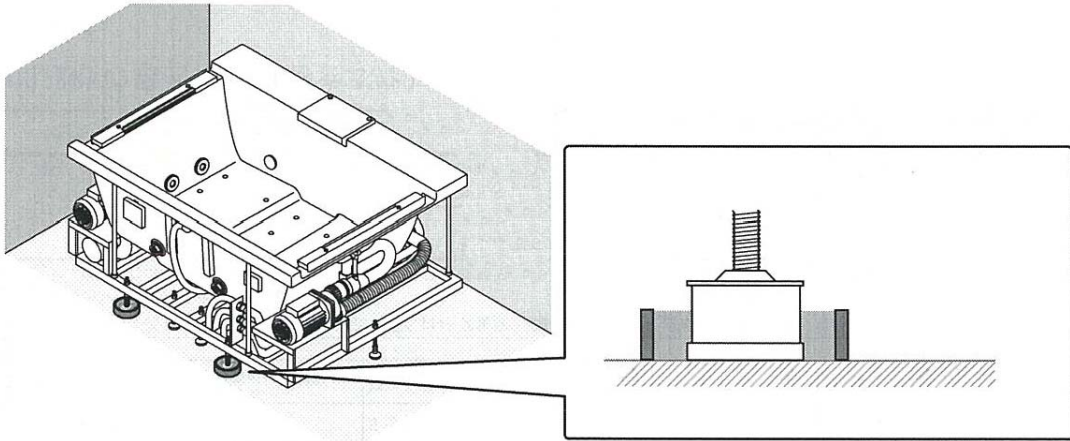


3

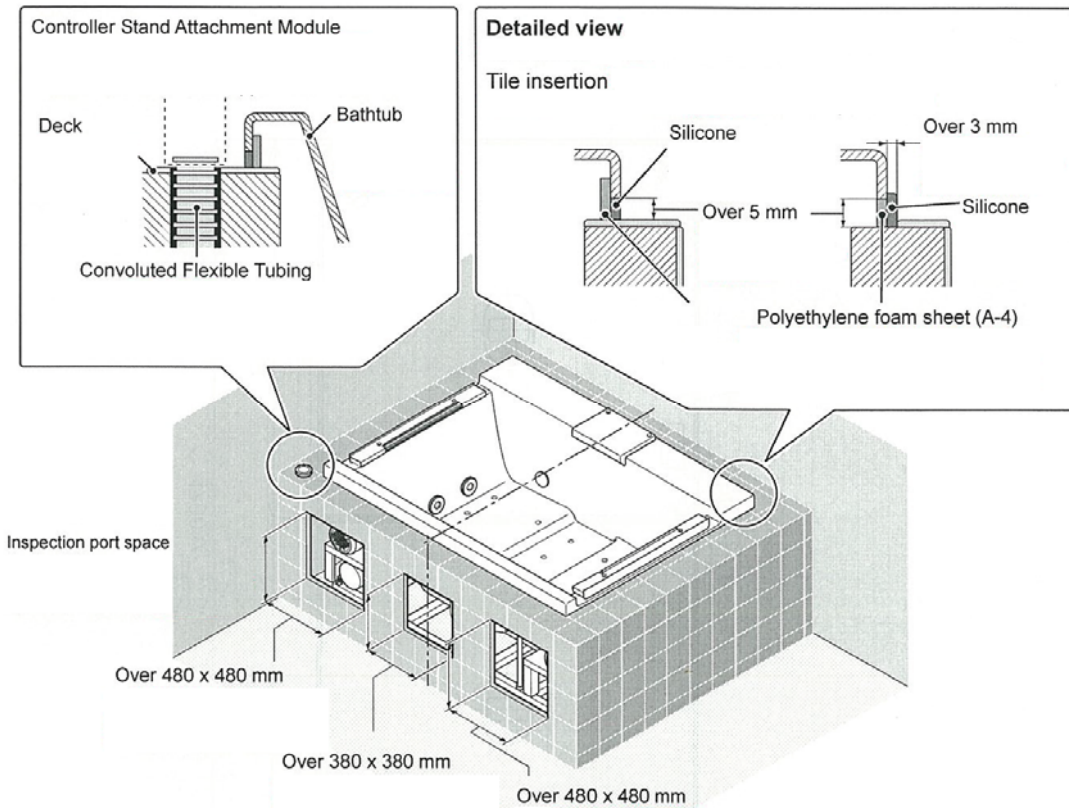


# Finition

4



5



## ⚠ ATTENTION



Obliga-  
toire

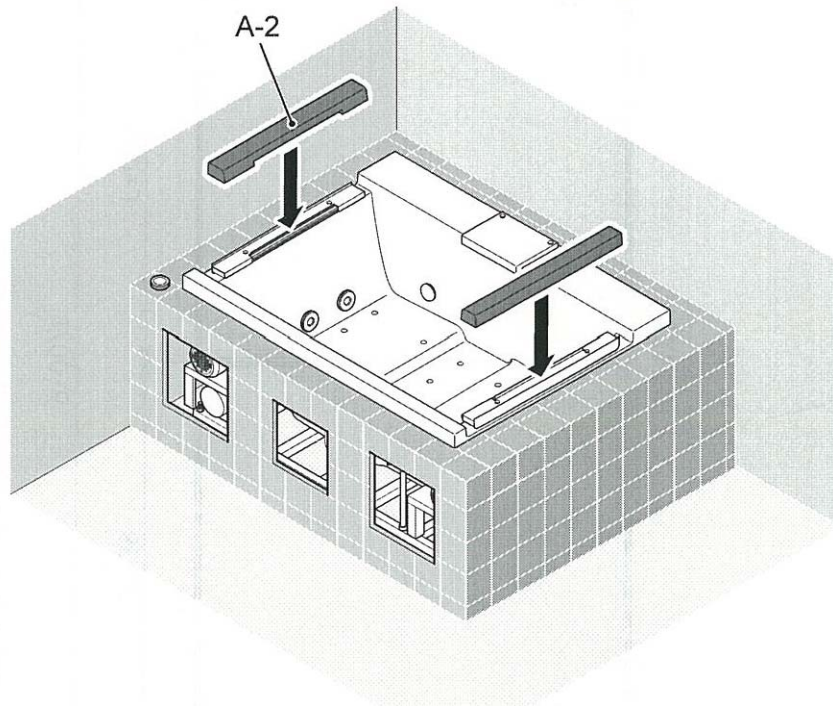
S'assurer de laisser un espace entre le bain et les carreaux, et remplir cet espace de silicone sans alcool.

S'assurer de fixer la feuille de mousse de polyéthylène fournie (A-4) à la surface de la plateforme ou au dos du rebord du bain avant de mettre le bain en place. (Consulter la vue détaillée)

- Il pourrait être impossible de fixer la feuille de mousse de polyéthylène une fois le bain en place.

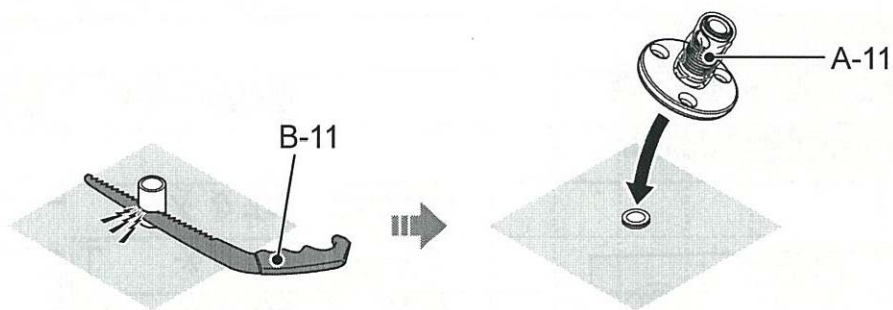
# Finition

6

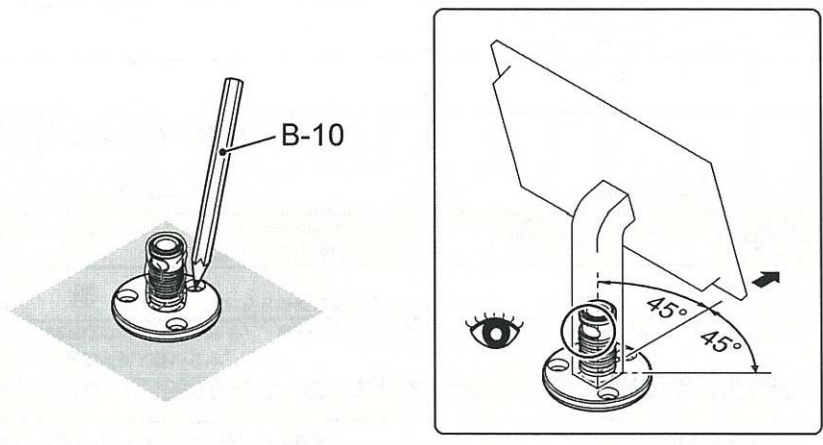


# Installation de la base du contrôleur

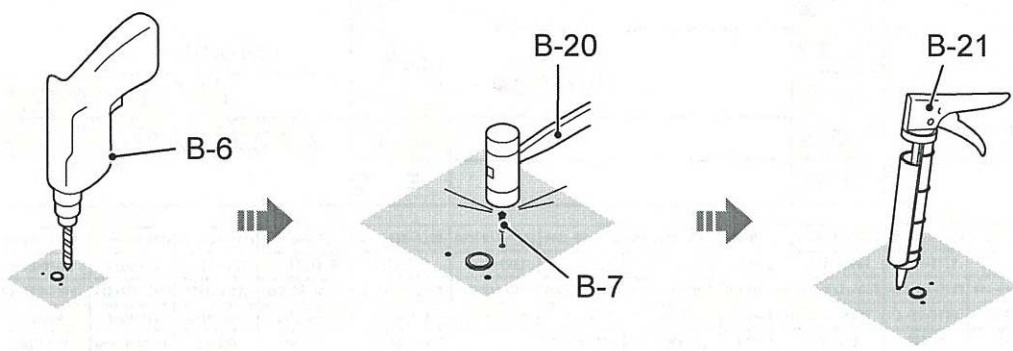
1



2

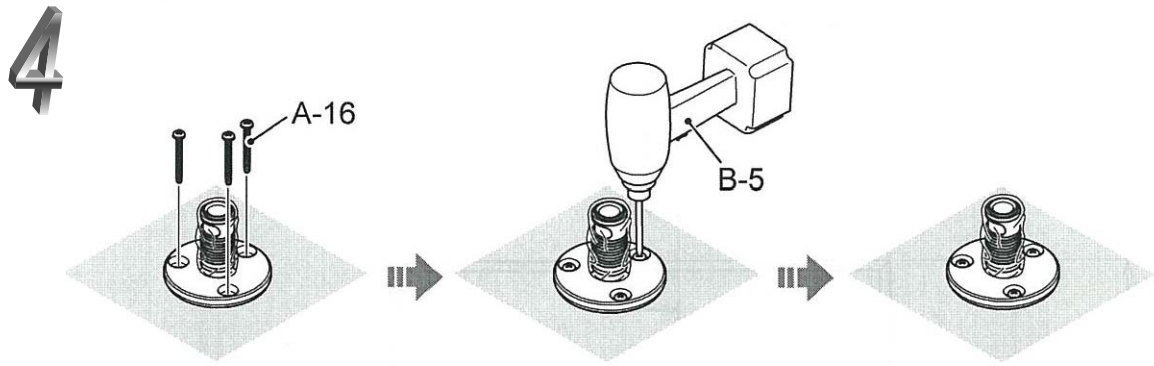


3

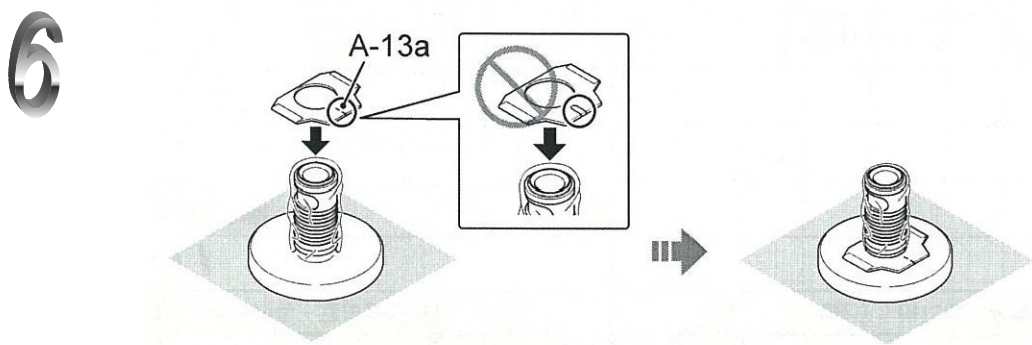
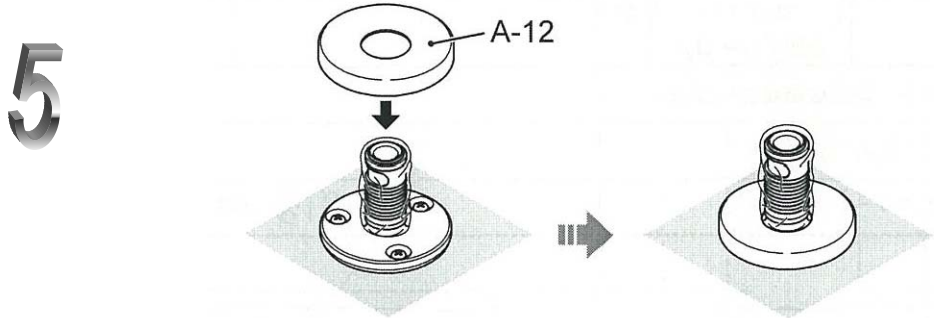


<b>⚠ ATTENTION</b>	
<p><b>!</b></p> <p>Obliga- toire</p>	<p>S'assurer que le trou ne se trouve pas dans une partie creuse de la surface du carreau.</p> <ul style="list-style-type: none"> <li>• S'il est creux, le fixer en place au moyen d'un ancrage adhésif.</li> </ul>

# Installation de la base du contrôleur



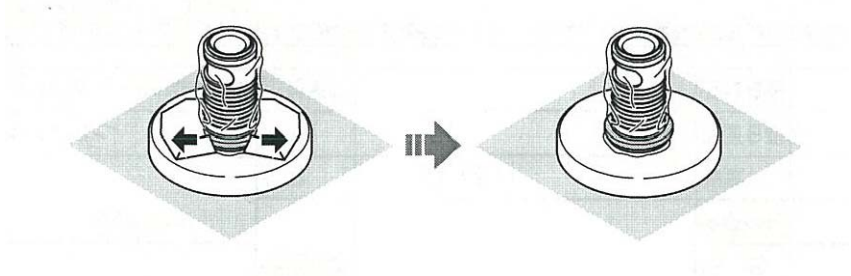
⚠ ATTENTION	
Interdic-tions	<p>Ne pas retirer la feuille protectrice sur la base.</p> <ul style="list-style-type: none"> <li>● Cette façon de faire pourrait causer des problèmes ou des malfonctionnements, en raison de débris ou de dommages au joint torique.</li> <li>● Cette façon de faire rendrait difficile l'installation de la bague collectrice, et celle-ci pourrait plier ou s'endommager.</li> </ul>



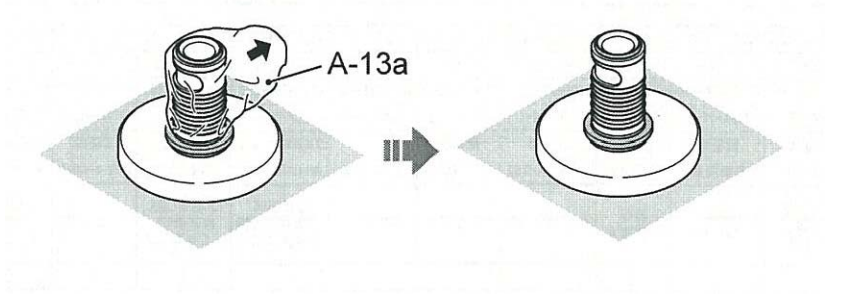


# Installation de la base du contrôleur

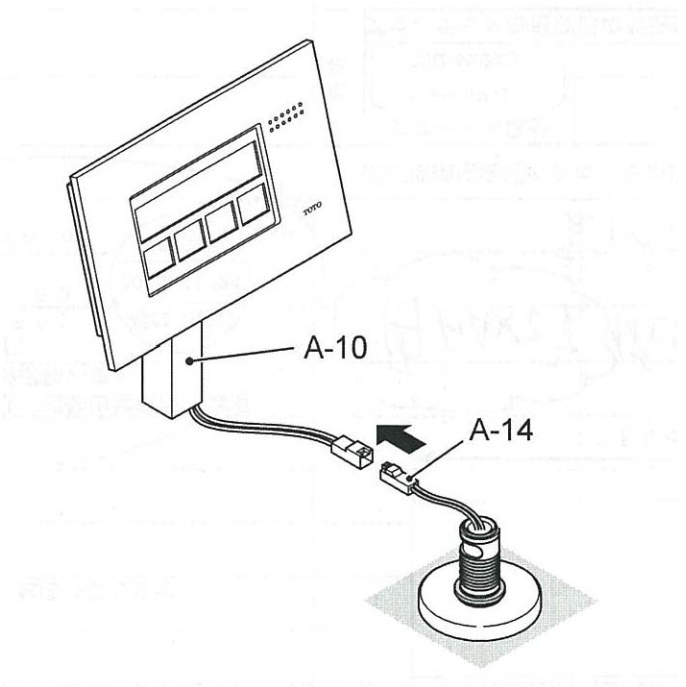
7



8

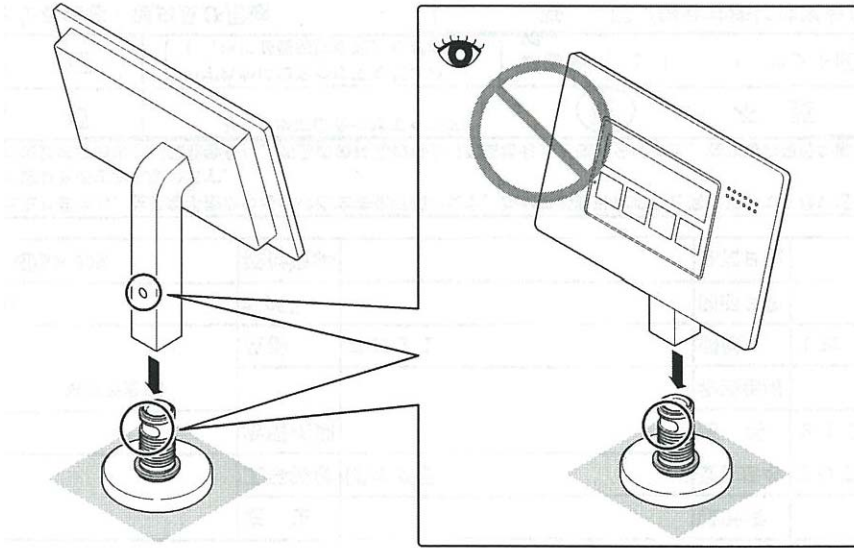


9

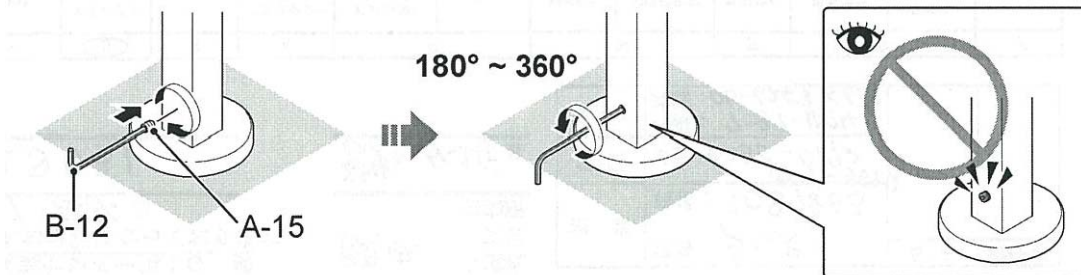


# Installation de la base du contrôleur

10



11



# Nettoyage du filtre dans le bouchon du drain

## ⚠ ATTENTION



Obligatoire

Les débris en circulation dans la plomberie s'accumuleront dans le filtre. Après avoir fait le branchement de la plomberie et y avoir fait circuler l'eau, et après les tests, s'assurer de nettoyer le filtre.

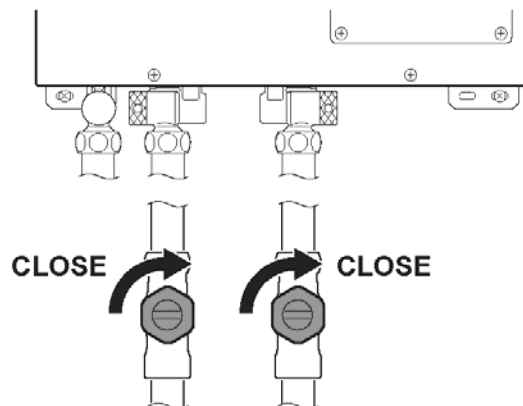
Si les produits ne sont pas livrés au client avant longtemps, ou s'ils ne sont pas utilisés avant longtemps, retirer l'eau du module fonctionnel et fermer le courant. (voir le manuel d'instructions.)

Attendre que le matériel refroidisse pour éviter d'être ébouillanté ou brûlé.

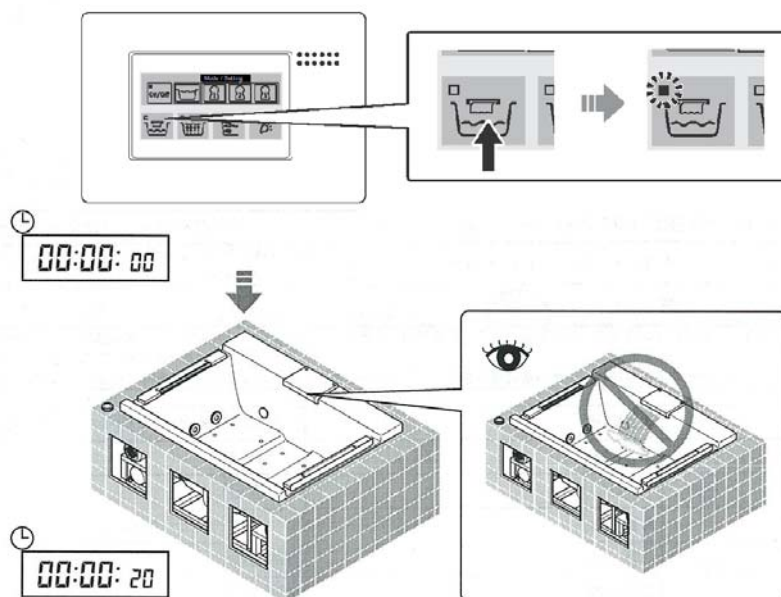
• Une fois que l'eau s'est écoulée de la sortie de remplissage, l'eau qui se trouve encore dans le module fonctionnel sera encore assez chaude.

Puisque de l'eau chaude et froide s'écoulera du bouchon du drain, placer un seau ou un autre contenant sous le module fonctionnel, pour recueillir l'eau.

# 1

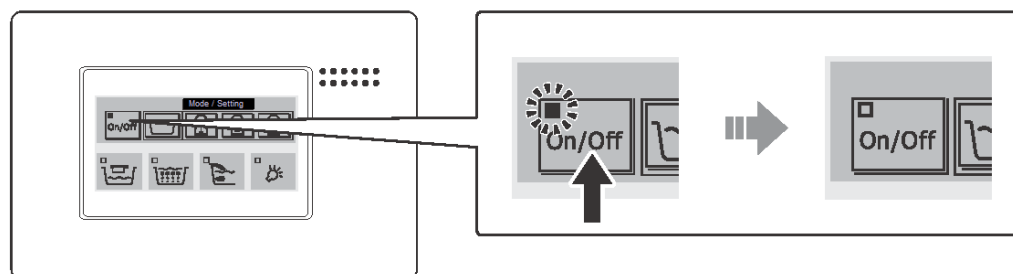


# 2

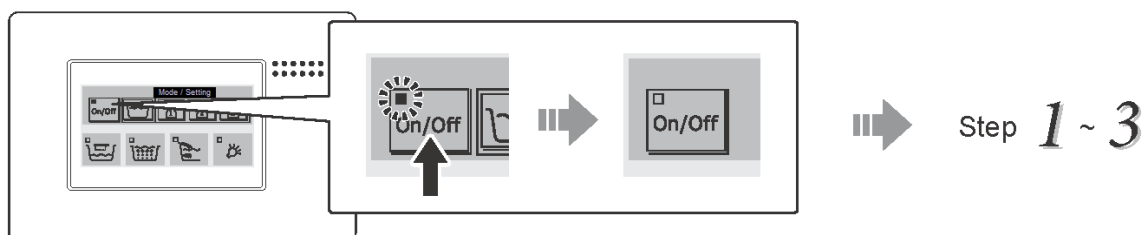


## Nettoyage du filtre dans le bouchon du drain

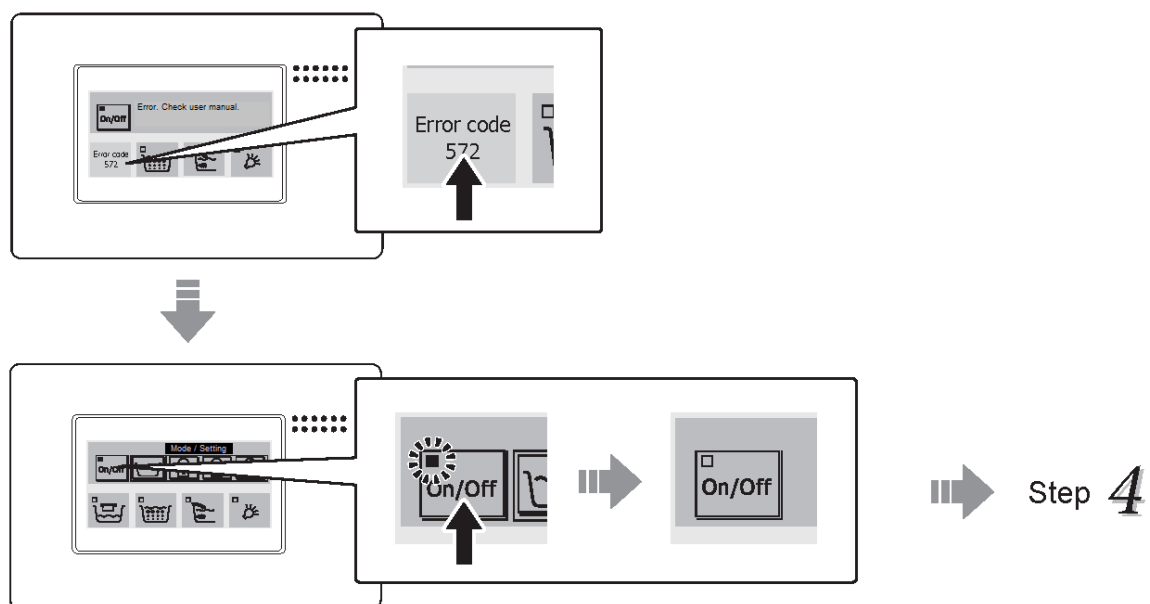
3



### Si l'eau continue de couler

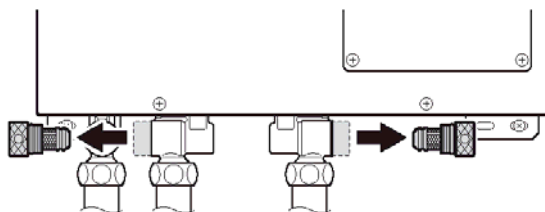


### Si le contrôleur affiche le code d'erreur 572



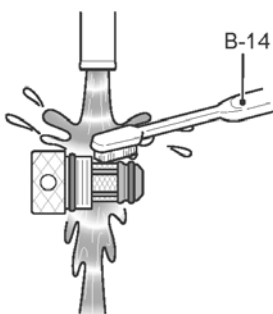
# Nettoyage du filtre dans le bouchon du drain

4



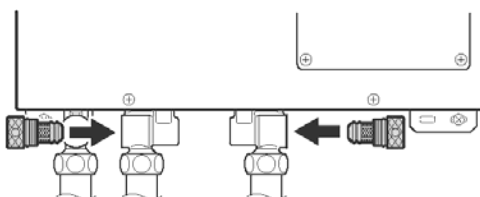
⚠ ATTENTION	
<p>! Obligatoire</p>	<p>Si vous ne pouvez pas retirer les bouchons du drain en les tournant à la main, insérer le bout d'un tournevis ou d'un autre outil dans l'ouverture et les faire tourner.</p>

5

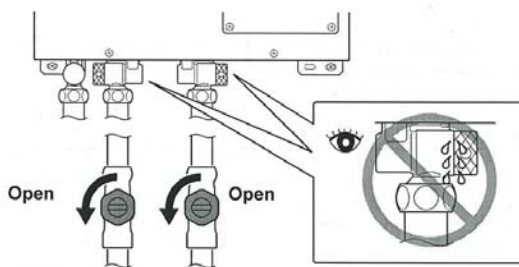


⚠ ATTENTION	
<p>! Obligatoire</p>	<p>Empêcher des débris d'égratigner le module ou de s'accumuler dessus.          • Des fuites pourraient s'en suivre, ou les débris pourraient entrer à l'intérieur du module fonctionnel et causer des problèmes.</p>

6



7



# Codes d'erreur

## Si un code d'erreur s'affiche



Code d'erreur	Cause	Procédure
032	Le drain du bain est ouvert	Le drain du bain est-il fermé?
079	Pas d'eau chaude	Une quantité d'eau suffisante est-elle fournie par le chauffe-eau? - Vérifier les réglages de température et d'utilisation sur le chauffe-eau.
152	-Température anormale de l'eau	L'eau chaude est-elle acheminée au branchement d'eau froide du module fonctionnel? -Vérifier les branchements de plomberie vers le chauffe-eau.
262	Circuit ouvert dans le capteur du niveau d'eau	Le câble du capteur d'eau est-il branché?
		Y a-t-il un bris dans le câble du capteur d'eau?
572	Pas d'eau	La valve principale ou la valve de fermeture sont-elles fermées?
B01 B02	Anomalie dans le circuit de la pompe du masseur /du masseur des épaules	Cesser d'utiliser le matériel et appeler un réparateur.
Autre	—	Réessayer après avoir corrigé l'erreur

## Méthodes de correction d'erreurs

Les erreurs peuvent être corrigées en appuyant sur le bouton responsable du code d'erreur.



## Codes d'erreur

### Si les codes d'erreur ne s'affichent pas

Les lumières du contrôleur ne s'allument pas	Le câble du contrôleur est-il branché?
	Le câble du contrôleur est-il abîmé?
	La source d'alimentation électrique atteint-elle le module fonctionnel?
Le ventilateur ne fonctionne pas	Le câble de la pompe à air est-il branché?
	Le câble de la pompe à air est-il abîmé?
L'éclairage sous l'eau ne s'allume pas	Le câble d'éclairage sous l'eau est-il branché?
	Le câble d'éclairage sous l'eau est-il abîmé?

\* Veuillez consulter le manuel d'instructions si vous avez d'autres problèmes.