

# EPIC BY-PASS Tub & Taller Tub Shower Enclosure

ET-54S-38, ET-60S-38, ET-66S-38, ET-72S-38, ET-54T-38, ET-60T-38, ET-66T-38, ET-72T-38



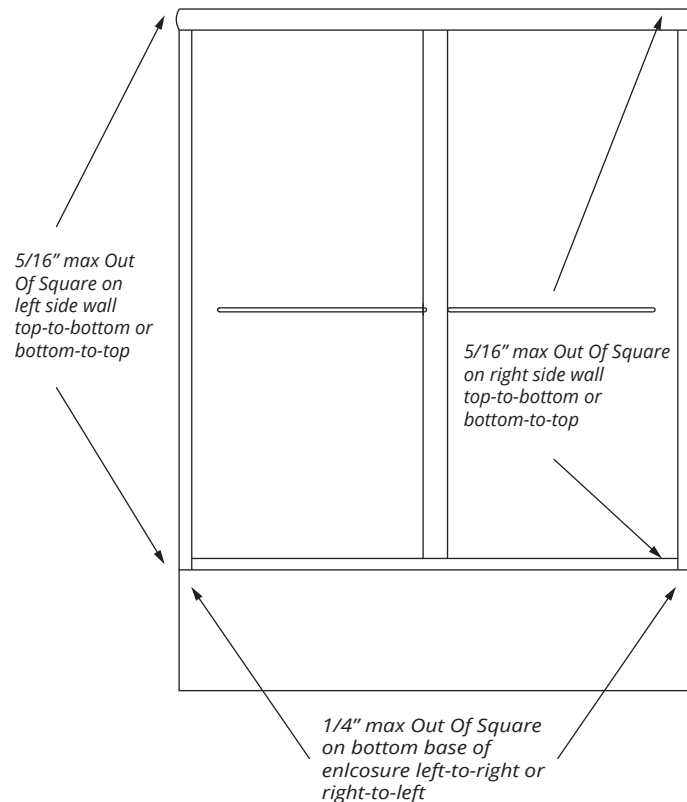
GLASSCRAFTERS INC.

All Units come in standard Polished Chrome Anodized  
(see reverse side for upgrade finishes)

## Acceptable Out Of Square (OOS) conditions:

For bottom base opening, 1/4" OOS from left to right.

For left and right walls that accept door panels, up to 5/16" OOS.



## Standard Features:

- Clear safety tempered glass.
- Standard round or optional flat header.
- Easy-clean track and side jambs.
- Anti-lift safety brackets.
- Two standard thru-the-glass towel bars or cresent knobs available.
- Continuous rail with thru-the-glass fasteners.

*Design and ordering for left hand or right hand door is not required as parts are reversable.*



## Upgrades Available:

- Alternative Hardware
- Finish Options
- Protective Glass Coating



## TUB SHOWER ENCLOSURES MODELS: (57 3/8" high)

ET-54S-38 48 1/8" to 54" opening

ET-60S-38 54 1/8" to 60" opening

ET-66S-38 60 1/8" to 66" opening

ET-72S-38 66 1/8" to 72" opening

## Taller Tub (62 3/8" high)

ET-54T-38 48 1/8" to 54" opening

ET-60T-38 54 1/8" to 60" opening

ET-66T-38 60 1/8" to 66" opening

ET-72T-38 66 1/8" to 72" opening

GLASSCRAFTERS, INC.

193 Veterans Blvd. Carlstadt, NJ 07072

1+ (888) 683-1362 (F) 1+ (201) 525-1117

sales@glasscraftersinc.com

Distinctive Designs for Selective Tastes

# EPIC BY-PASS Tub & Taller Tub Shower Enclosure

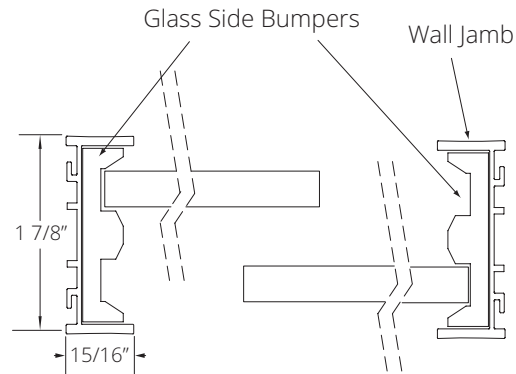
ET-54S-38, ET-60S-38, ET-66S-38, ET-72S-38, ET-54T-38, ET-60T-38, ET-66T-38, ET-72T-38

All Units come in standard Polished Chrome Anodized

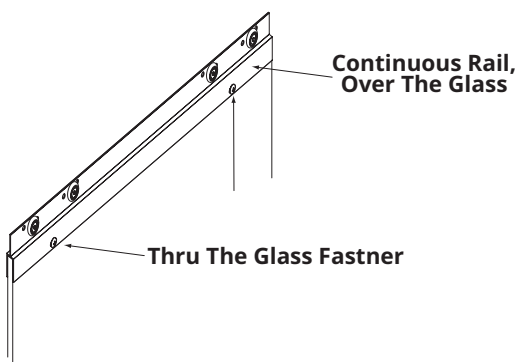


GLASSCRAFTERS INC.

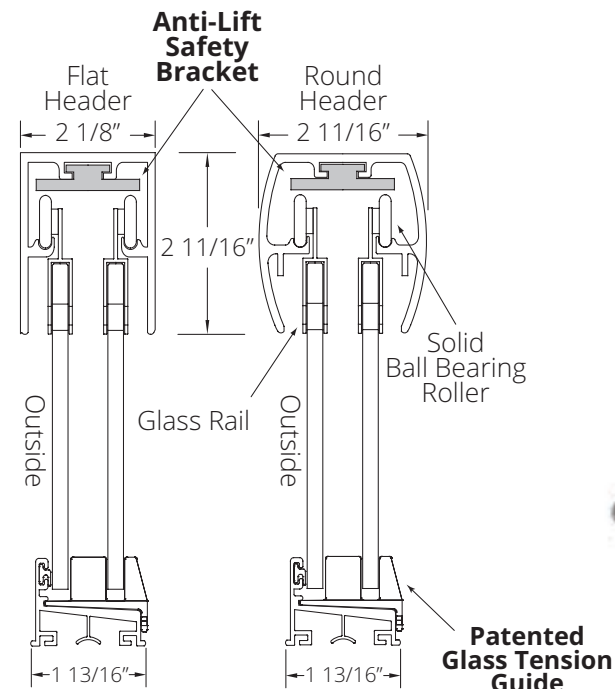
## Detail — Top View, Installed, Closed Position



## Detail — Inside View, Rail with Roller



## Detail — Section Side View Installed



## GLASS & HARDWARE



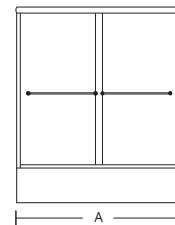
Clear (Standard) Glass



Crescent Knob KN01



Standard Towel Bar TB01



Refer to the chart on the right to select the model number that fits the Width (A) for your installation.

## DECORATIVE HARDWARE FINISH OPTIONS



Chrome Anodized Aluminum (CHA)  
Standard Finish



Brushed Nickel Aluminum (BNA)



Oil Rubbed Bronze Paint (ORB)



Polished Nickel Aluminum (Sliders Only) (PNA)

Height is 57 3/8" or 62 3/8" — 3/8" glass

Model Number	Width (A) Min-Max
ET-54S-38	48 1/8" to 54"
ET-60S-38	54 1/8" to 60"
ET-66S-38	60 1/8" to 66"
ET-72S-38	66 1/8" to 72"
ET-54T-38	48 1/8" to 54"
ET-60T-38	54 1/8" to 60"
ET-66T-38	60 1/8" to 66"
ET-72T-38	66 1/8" to 72"

**FOR BEST RESULTS** Glasscrafters recommends the installation be performed by a trained installer.

**WARNING: TO INSTALL ON CAST IRON, FIBERGLASS, ACRYLIC OR RESIN SHOWER BASE** Check with the tub or shower base manufacturer to determine the tooling required.

**INSTALLING THESE UNITS REQUIRES 2 PERSONS**

GLASSCRAFTERS, INC.  
193 Veterans Blvd. Carlstadt, NJ 07072  
1+ (888) 683-1362 (F) 1+ (201) 525-1117  
sales@glasscraftersinc.com

Distinctive Designs for Selective Tastes