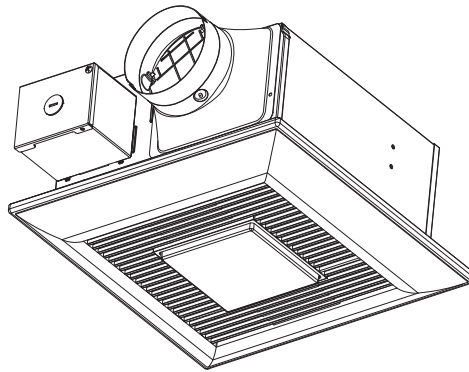


# Service Manual

Ventilating Fan  
(North America Market)


FV-08-11VFL5E



## ! WARNING

This service information is designed for experienced repair technicians only and is not designed for use by the general public. It does not contain warnings or cautions to advise non-technical individuals of potential dangers in attempting to service a product. Products powered by electricity should be serviced or repaired only by experienced professional technicians. Any attempt to service or repair the product or products dealt with in this service information by anyone else could result in serious injury or death.

## IMPORTANT SAFETY NOTICE

There are special components used in this equipment which are important for safety. These parts are marked by  in the Schematic Diagrams, Exploded Views and Replacement Parts List. It is essential that these critical parts should be replaced with manufacturer's specified parts to prevent shock, fire or other hazards. Do not modify the original design without permission of manufacture. We suggest to handle such parts after the static electricity prevention. It is forbidden to touch the PCB parts by bare hands during the repairing process.

CONTENTS	PAGE
1.Specifications .....	1
2.Parts Identification .....	2~5
3.Wiring Diagram .....	6
4.Parts List .....	7~8

# 1. Specifications

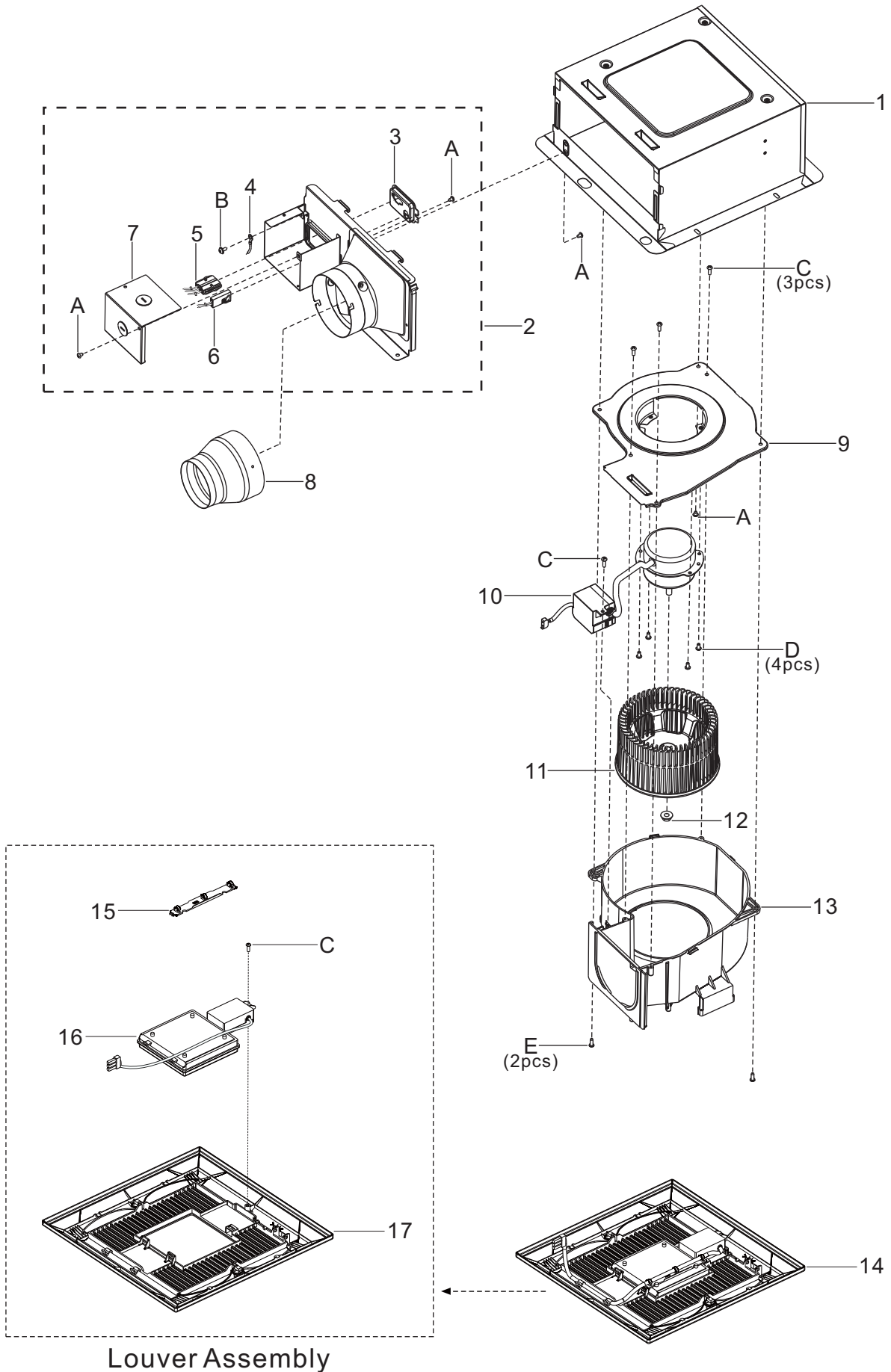
---

Model No.	Air direction	Voltage (V)	Frequency (Hz)	Duct diameter (inches)	Air volume at 0.1"WG (CFM)	Noise (sones)	Speed (rpm)	Power (W)	Weight lb.(kg)
FV-08-11VFL5E	Exhaust	120	60	3	70	0.6	1065	20.8	10.1 (4.5)
					100	1.3	1270	26.4	
				4	80	0.4	905	20.9	
					110	1.0	1033	26.6	

HVI Certified performance based on HVI Procedures 915, 916, and 920.

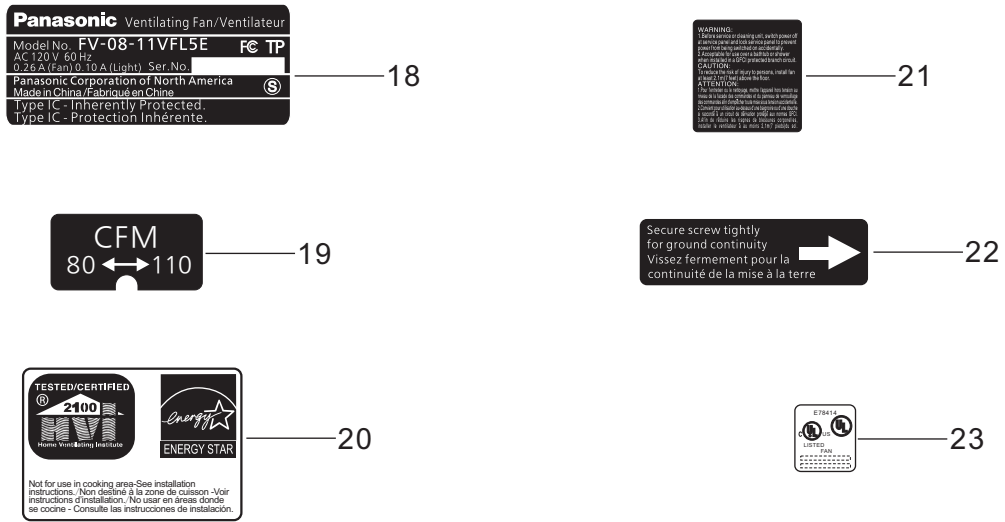
# 2. Parts Identification

## Main Body Section

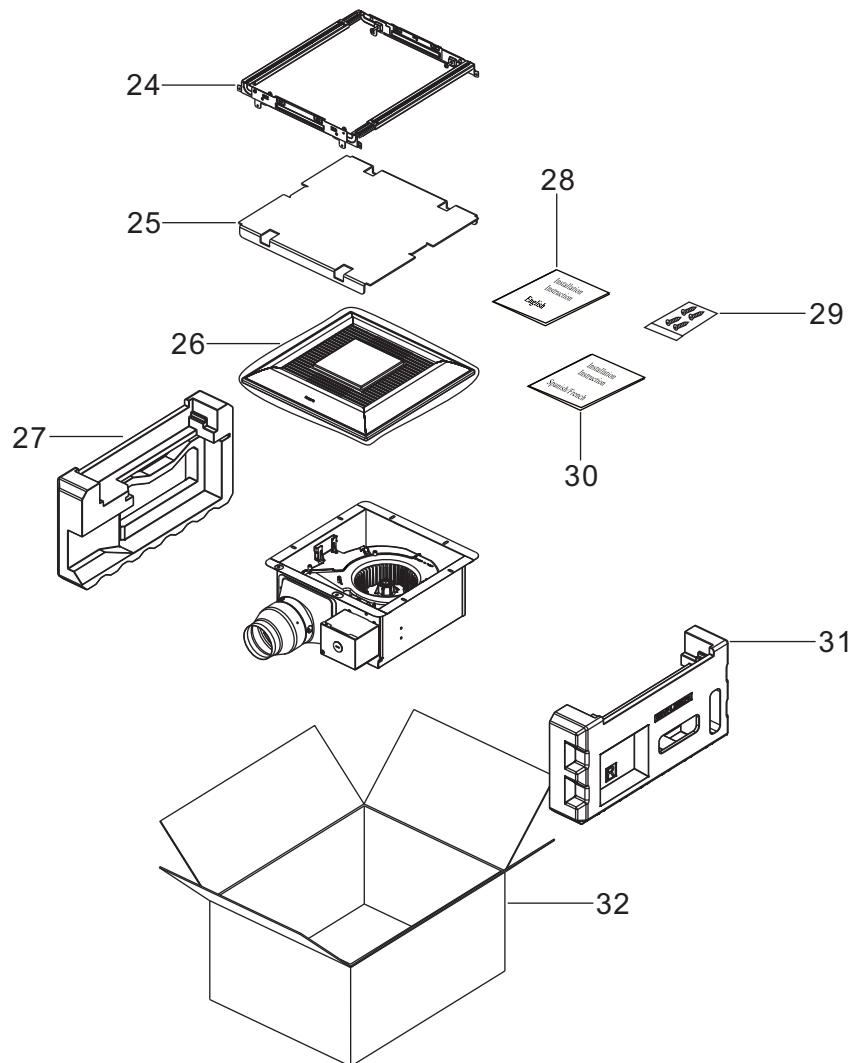


# 2. Parts Identification

## Main Labels



## Packing Section



## 2. Parts Identification

### Replace Motor Assembly Method

Step 1.



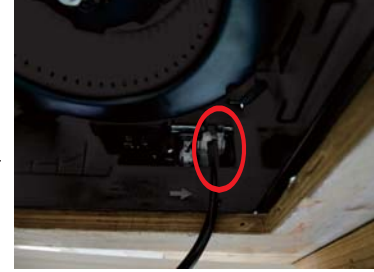
Haul down the louver assembly

Step 2.



Remove the louver spring

Step 3.



Unplug led unit connector ,Then take out the louver assembly

Step 4.



Remove 3pcs screws

Step 5.



Unplug power lead connector, Then take out the casing unit from the frame assembly

Step 6.

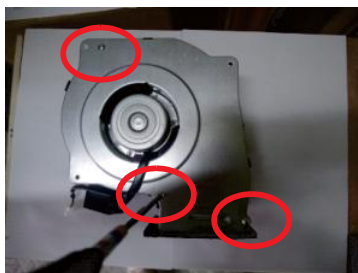


Step 7.



Remove 1pc screws, Then take out the wiring box assembly

Step 8.



Remove 3pcs screws, Then take out the casing from casing unit

Step 9.



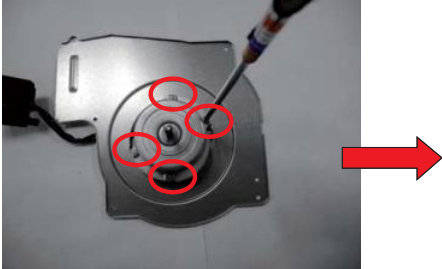
Remove the nut, Then take out the blade

## 2. Parts Identification

---

### Replace Motor Assembly Method

Step 10.



Step 11.



Remove 4pcs screws, Then take out the motor unit from motor support

---

### Replace Led Unit Method

Step 1.



Cut the binder

Step 2.



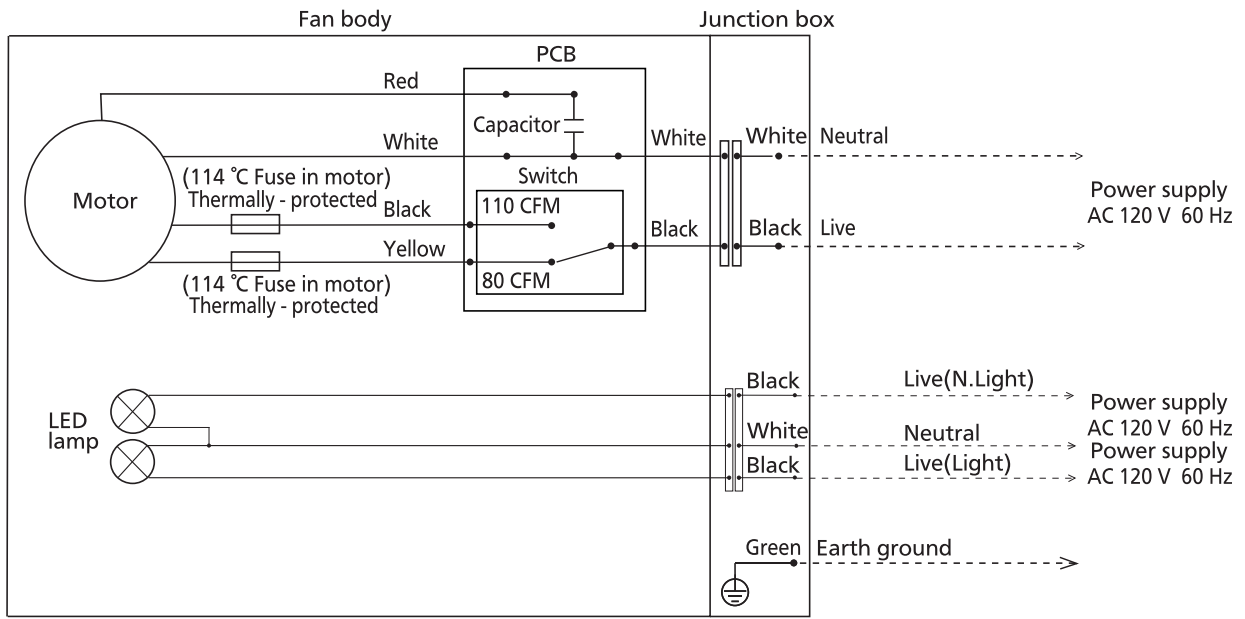
Pull out the Led unit lead from louver assembly

Step 3.



Remove 1pc screw, Then take out the led unit from louver assembly

# 3. Wiring Diagram



## 4. Parts List

### Main Body Section

No.	Part No.	Part Name	Q'ty	Remark
1	FFV1600146S	Frame Assembly	1	
2	FFV0000152S	Adapter Assembly	1	⚠
3	FFV0900068S	Connector Plate	1	
4	FFV3450010S	Earth Lead Wire	1	⚠
5	FFV0900069S	Connector Assembly (L)	1	⚠
6	FFV0900059S	Connector Assembly (V)	1	⚠
7	FFV2800020S	Junction Cover	1	
8	FFV0000038S	Adapter Connector	1	
9	FFV3702266S	Motor Support Unit	1	
10	FFV3702267S	Motor Unit	1	⚠
11	FFV0400119S	Blade	1	
12	FFV7020021S	Nut	1	For Fixing Blade
13	FFV0790115S	Casing Assembly	1	Include 1pc Packing
14	FFV3400147S	Louver Assembly	1	
15	FFV2520040S	Insulation Plate	1	
16	FFV3400172S	Led Unit	1	
17	FFV3400149S	Louver Unit	1	
A	FFV7000108S	Truss Tap Screw	4	
B	FFV7000203S	Earth Lead Wire Screw	1	For Fixing Lead Wire ⚠
C	FFV7000089S	Truss Tap Screw	5	
D	FFV7000074S	Truss Tap Screw	4	
E	FFV7000080S	Plus Bind Screw	2	

### Main Labels

No.	Part No.	Part Name	Q'ty	Remark
18	FFV4020952S	Name Plate	1	
19	FFV5530075S	Switch Label	1	
20	FFV0810011S	Caution Label 1	1	
21	FFV0810010S	Caution Label	1	
22	FFV6730045S	Warning Label	1	
23	FFV2260003S	UL Mark	1	



## 4. Parts List

---

### Packing Section

No.	Part No.	Part Name	Q'ty	Remark
24	FFV2230024S	Hanger Assembly	1	
25	FFV4710381S	Louver Case Assembly	1	
26	FFV4650016S	Poly Cover	1	For Grille Unit Packing
27	FFV4710390S	Left Pad	1	
28	FFV2540236S	Installation Instructions	1	English,For CA Market/USA Market
29	FFV0010238S	Accessory A	1	
30	FFV2540237S	Installation Instructions	1	French,For USA Market
(30)	FFV2540238S	Installation Instructions	1	Spanish,For CA Market
31	FFV4710391S	Right Pad	1	
32	FFV9001397S	Packing Case Assembly	1	